

**Roman burials: Archaeological excavation
(Stage 2) on Colchester Garrison 'Alienated
Land' Area H, off Butt Road, Colchester,
Essex, CO3 2DL**

September 2012 – February 2013



by Laura Pooley

with contributions by Stephen Benfield, Julie Curl, Lisa Gray,
Pip Parmenter, Rob Masefield, Penelope Walton Rogers and Adam Wightman

figures by Mark Baister, Emma Holloway and Laura Pooley

illustrations by Emma Holloway

fieldwork by Ben Holloway and CAT staff

**commissioned by RPS Group plc
on behalf of Taylor Wimpey**

NGR: TL 99300 24600 (centre)

CAT project ref.: 12/17g

Colchester Museum accession code COLEM: 2012.50

CHER ref: ECC4101

OASIS reference: colchest3-300605



Colchester Archaeological Trust

Roman Circus House,
Roman Circus Walk,
Colchester,
Essex, CO2 7GZ

tel.: 01206 501785

email: lp@catuk.org

CAT Report 1033

December 2017

Contents

1	Summary	1
2	Introduction	2
3	Archaeological and historical background	4
4	Aims and strategy	7
5	Results	8
	5.1 Period 1 – Palaeolithic and Mesolithic	8
	5.2 Period 2 – Neolithic	8
	5.3 Period 3 – Bronze Age	8
	5.4 Period 4-5 – Early/Mid Iron Age and the Late Iron Age/Early Roman	9
	5.5 Period 6 – Romano-British	9
	5.5.1 The Roman cemetery area in Area H1	9
	5.5.2 The Roman cemetery area in Area H2	30
	5.6 Period 7-8 – Medieval to post-medieval	45
	5.7 Period 9 – Modern	45
	5.8 Other features	45
6	Finds	46
	6.1 Pottery <i>by Stephen Benfield</i>	46
	6.2 Small finds, bulk metalwork and glass vessels <i>by Nina Crummy</i>	57
	6.3 Roman textile remains on coins from inhumation HF337 <i>by Penelope Walton Rogers</i>	85
	6.4 Cremation and inhumation material with additional animal bone <i>by Julie Curl</i>	85
	6.5 Animal bone <i>by Pip Parmenter</i>	106
	6.6 Building material <i>by Stephen Benfield</i>	107
	6.7 Coffin nails <i>by Laura Pooley</i>	111
	6.8 Worked flint <i>by Adam Wightman</i>	111
	6.9 Miscellaneous material <i>by Stephen Benfield</i>	112
	6.10 Charred plant macrofossils and other remains <i>by Val Fryer</i>	113
7	Discussion	117
8	Acknowledgements	127
9	References	128
10	Abbreviations and glossary	132
11	Contents of archive	133
12	Archive deposition	133
	Appendix 1 Burial lists	135
	Appendix 2 Catalogue of prehistoric pottery	211
	Appendix 3 Catalogue of Roman and post-Roman pottery	214
	Appendix 4 Summary catalogues of human skeletal remains and addition faunal remains	250
	Appendix 5 Catalogue of building material	266
	Appendix 6 Location plan of all Colchester Garrison 'Areas'	274

Figures

after p274

EHER summary sheet

RPS Planning WSI

OASIS summary sheet

List of photographs, tables, graphs and figures

Cover: Medusa pendant

Photograph 1	Bronze Age pit HF411, looking south.	8
Photograph 2	Boundary ditch HF399 with postholes, looking west.	11
Photograph 3	Inhumations HF479 and HF512 with associated postholes, looking east.	12
Photograph 4	Pre- and mid-excavation shot of irregular boundaries 1 and 2 (marked in red spray paint running north-south across the photograph), looking north.	14
Photograph 5	Post-excavation photograph of irregular boundary 3 (running along the right-hand edge of the image), looking south.	16
Photograph 6	Inhumation burial HF549, looking west. A coffin stain is visible in the base of the grave. Only the skull had survived but the individual was buried with a jar and nailed leather footwear.	19
Photograph 7	The adult in inhumation HF641 had been buried wearing nailed leather footwear.	22
Photograph 8	Some of the burial goods from inhumation HF579.	22
Photograph 9	Urned cremation HF465, looking southwest. Only the base of the urn had survived.	23
Photograph 10	Urned cremation HF382 with cremation urn and two accessory vessels, looking west.	24
Photograph 11	Rubble platform HF668, looking west.	25
Photograph 12	Inhumation burial HF674 with outline of wooden coffin visible in base of grave, looking west.	26
Photograph 13	Excavation of the egg/acorn-shaped finial.	27
Photograph 14	Possible barrow HF502 with internal postholes and other Roman features, looking east.	29
Photograph 15	Square-ditched enclosure, looking southwest.	31
Photograph 16	Inhumation burial HF176, looking northwest.	32
Photograph 17	Inhumation burial HF125, looking southeast.	34
Photograph 18	Inhumation burial HF96, looking west.	35
Photograph 19	Inhumation burial HF161 with burial goods, looking southwest.	37
Photograph 20	Urned cremation HF214 with part of a jar used as a lid to the cremation urn, looking southwest.	38
Photograph 21	Urned cremation HF199, looking northwest.	39
Photograph 22	Unurned cremation HF139, looking southeast.	39
Photograph 23	Bustum HF188 showing three glass phials, looking southeast	40
Photograph 24	Bustum HF188 fully excavated, looking northwest.	41
Photograph 25	Pyre site HF200, looking southeast.	42
Photograph 26	Overhead shot showing square-ditched enclosure with inhumation burials HF161 (top), HF197 (bottom) and HF223 (right) surrounded by postholes.	43
Photograph 27	Well HF454, looking northwest.	44
Table 1	Prehistoric pottery from prehistoric pits	9
Table 2	Finds from boundary ditch HF399	10
Table 3	Finds from the square enclosure ditches	13
Table 4	Boundary 1 details	16
Table 5	Boundary 2 details	17
Table 6	Boundary 3 details	17
Table 7	Orientation of graves	19
Table 8	Position of the head within the graves	19
Table 9	Burial goods found with inhumations	21
Table 10	Building material from rubble spread (HF664) and rubble platform (HF668)	25
Table 11	Burial-markers	27
Table 12	Orientation of graves	34
Table 13	Position of the head within the graves	34
Table 14	Burial goods found with inhumations	36
Table 15	Burial-markers	44
Table 16	Prehistoric pottery by fabric (2=6-10 inclusions per cm ²)	46

Table 17	Concordance of Roman pottery fabrics referred to in the report	47
Table 18	Types and number of placed pottery vessels recovered from cremation burials	52
Table 19	Types and number of placed pottery vessels recovered from inhumation burials	53
Table 20	Roman pottery other than that identified as placed with burials	55
Table 21	Medieval pottery by fabric	57
Table 22	Objects in pyre debris pits and cremation burials.	58
Table 23	Grave goods from inhumations.	69
Table 24	Quantifications by weights and counts for features producing burnt bone	86
Table 25	Number of inhumations identified to sex	90
Table 26	Skeletons providing post-cranial metrical data for sexing and stature, including estimated height ranges. Measurements in milimetres	91
Table 27	Number of individuals identified to age group	93
Table 28	Number of identified specimens/fragments (NISP)	106
Table 29	Quantities of stratified CBM by feature type	108
Table 30	Roman CBM by type	108
Table 31	Post-Roman CBM by type	109
Table 32	Stone by type	110
Table 33	Stone by feature type	110
Table 34	Coffin nails	111
Table 35	Worked flints	112
Table 36	Environmental results	115
Table 37	Comparison of southern cemetery areas	126
Graph 1	Calculations for minimum heights from metrical data obtained from long bones. Where multiple measurements were available a mean height was calculated.	91
Graph 2	Calculations for maximum heights from metrical data obtained from long bones. Where multiple measurements were available, a mean height was calculated.	92
Fig 1	Site location	
Fig 2	Excavation areas in relation to the Roman circus, J1 North and H evaluation trenches (Roman burials shown by red dots)	
Fig 3	Results	
Fig 4	Area H1: all non-Roman features	
Fig 5	Area H1: Roman features	
Fig 6.1	Area H1: close-up of Roman features (including Burial plots 1-2)	
Fig 6.2	Area H1: close-up of Roman features (including Burial plot 3)	
Fig 6.3	Area H1: close-up of Roman features (including Burial plots 4-5 and the outlying burial plot)	
Fig 7	Area H2: all non-Roman features	
Fig 8	Area H2: all Roman features	
Fig 9.1	Area H2: close-up of Roman features	
Fig 9.2	Area H2: close-up of Roman features	
Fig 9.3	Area H2: close-up of Roman features	
Fig 10	Distribution of burials (red dot) in Area J1 North and Area H and ditch/boundary projections (dotted blue line)	
Fig 11	HF3: burial plan, section, pottery and key to all burials and burial sections	
Fig 12	HF5 and HF6: burials plans, section and pottery	
Fig 13	HF18 and HF19: burial plans, profiles and pottery	
Fig 14	HF33 and HF36: burial plans, profiles and pottery	
Fig 15	HF50 and HF56: burial plans, profile, section and pottery	
Fig 16	HF72 and HF76: burial plans, section and pottery	
Fig 17	HF81: burial plan, profile and pottery	
Fig 18	HF83: burial plan, section, pottery and small finds	
Fig 19	HF96: burial plan, profile and pottery	
Fig 20	HF99 and HF114: burial plans, profiles and pottery	
Fig 21	HF125 and HF126: burial plans, profiles and pottery	
Fig 22	HF136 and HF141: burial plans, sections and pottery	
Fig 23	HF143 and HF144: burial plans, profiles, pottery and small finds	
Fig 24	HF151: burial plan, profile and pottery	

- Fig 25 HF154: burial plan, profile and pottery
- Fig 26 HF161: burial plan, profile and pottery
- Fig 27 HF167 and HF176: burial plans and profiles
- Fig 28 HF177: burial plan and profile
- Fig 29 HF182: burial plan, section and pottery
- Fig 30 HF183: burial plan, profile and pottery
- Fig 31 HF188: burial plan, profile, glass vessels (scale 1:2) and small finds (scale 1:1)
- Fig 32 HF190a and HF193: burial plans, profiles and pottery
- Fig 33 HF197: burial plan and profiles
- Fig 34 HF199 and HF209: burial plans, section and pottery
- Fig 35 HF214: burial plan, section and pottery
- Fig 36 HF219 and HF268: burial plans, sections and pottery
- Fig 37 HF270: burial plan and profiles
- Fig 38 HF271 and HF282: burial plans, profiles and pottery
- Fig 39 HF283: burial plan, section and small finds
- Fig 40 HF284 and HF285: burial plans, section, profile and pottery
- Fig 41 HF295 and HF300: burial plans, section, profile and pottery
- Fig 42 HF307 and HF337: burial plans, section, profile and pottery
- Fig 43 HF341 and HF353: burial plans, profiles and pottery
- Fig 44 HF354: burial plan, section and pottery
- Fig 45 HF382: burial plan, section and pottery
- Fig 46 HF386 and HF391: burial plans, profiles and pottery
- Fig 47 HF393: burial plan, profile and pottery
- Fig 48 HF394: burial plan, profile and small find
- Fig 49 HF468: burial plan, profile and small finds
- Fig 50 HF473: burial plan, profile and pottery
- Fig 51 HF481: burial plan, profile, pottery and glass
- Fig 52 HF492: burial plan, profile and pottery
- Fig 53 HF517: burial plan, profile and pottery
- Fig 54 HF541: burial plan and profile
- Fig 55 HF548: burial plan, profile and pottery
- Fig 56 HF549: burial plan, profile and pottery
- Fig 57 HF556 and HF560: burial plans, profiles and small finds
- Fig 58 HF579: burial plan, profile (scale 1:10), pottery (scale 1:4), glass (scale 1:1) and small finds (HF579.10iv-v and HF579.15-16 – scale 1:1) (HF579.10i and iii – scale 1:2)
- Fig 59 HF579: burial plan overlay 1 (scale 1:10), pottery (scale 1:4) and small finds (scale 1:1)
- Fig 60 HF579: burial plan overlay 2 (scale 1:10) and small finds (scale 1:2)
- Fig 61 HF596: burial plan, profile and pottery
- Fig 62 HF598 and HF601: burial plans, section, profile and pottery
- Fig 63 HF641: burial plan and profile
- Fig 64 HF643/4: burial plan and profile
- Fig 65 HF645 and HF646/HF652: burial plans, profiles and pottery
- Fig 66 HF666: burial plan, profile and pottery
- Fig 67 HF664 and HF668 mausoleum and associated post-holes (HF673 and HF678): burial plans and sections (see Fig 68 for burial plan)
- Fig 68 HF674: burial plan and section
- Fig 69 HF686: burial plan, profile and pottery
- Fig 70 General sections: Bronze Age (HF280 and HF615) and Roman features from Area H1
- Fig 71 General sections: Roman features from Area H1
- Fig 72 General sections: Roman features from Area H2
- Fig 73 Non-burial prehistoric (1-4) and Roman (5) pottery
- Fig 74 Other pottery and small finds from burials.

1 Summary

Stage 2 archaeological excavation of 'Area H' of the Colchester Garrison Alienated Land was divided into two areas. Area H1 covered 810m² and Area H2 705m². Excavations were confined to the northwestern half of Area H, located in an area of known Roman burials. To the southeast is Colchester's Roman Circus (a Scheduled Monument).

Excavations revealed two distinct Roman cemetery areas. The first was centred on Area H1 on the northern edge of the site, and the second on Area H2 to the southwest. In total 224 Roman burials were excavated along with 66 pits containing pyre debris, five disturbed burial features and 26 possible burial features.

Cemetery Area H1 – A total of 85 burials were excavated, divided into 67 inhumation burials, 16 urned cremation burials and two unurned cremation burials. Other burial features included two burial pits containing pyre debris and nine possible burial features. Dating from the 2nd to the late 3rd/4th century, at least five distinct burial plots were visible, defined by an east-west boundary ditch, three irregular north-south boundaries and a square-ditched enclosure. Virtually all of the inhumations were aligned on these boundaries. There were three phases of burial, 1) east-west inhumations, 2) north-south inhumations, 3) cremations. The cemetery contained the remains of a mausoleum with single inhumation buried beneath. Two ring-ditches were associated with possible barrow burials. On the southern edge of the cemetery was a smaller, outlying burial plot. It is also possible that the three irregular north-south boundaries contained later inhumations which would increase the total number of inhumations from the site, but these are difficult to distinguish.

Human bone had only survived in 31% of the burials with adults and children represented at a ratio of 3:1. *Inhumations*: 46% were buried in coffins and 42% contained burial goods, including a child buried with jet medusa pendant and copper-alloy armlets, and another inhumation containing a wide variety of ironwork and other metal and non-metal items. *Cremations*: All of the 16 urned cremations were buried in jars, only five contained burial goods.

Cemetery Area H2 – A total of 139 burials were excavated, divided into 97 inhumation burials, 29 urned cremation burials, 10 unurned cremation burials and three pyres/bustums. Other burial features included 64 pits containing pyre debris, five disturbed cremations/pits containing pyre debris, and seventeen possible burial features. This is a continuation of the cemetery area identified during excavations on Area J1 North of the Colchester Garrison Alienated Land (CAT Report 412), which was bounded to the south by a Roman road. The cemetery appears to have been in fairly constant use from the mid 1st to the 3rd century, with only two burials (in J1 North) dating to the 4th century. Possible burial plots were identified on J1 North, but a single square-ditched enclosure was the only sub-division apparent on H2. Ring-ditches associated with two possible barrow burials were also identified.

Human bone had only survived in 40% of the burials with adults and children represented at a ratio of 2.6:1. *Inhumations*: 27% were buried in coffins and 27% contained burial goods. *Cremations*: Twenty-three of the 29 urned cremations were buried in jars with those remaining buried in bowls. Only thirteen contained burial goods. *Busta/Pyre sites*: A single bustum burial and two pyre sites from H2, in addition to those excavated on J1 North, brings the total for the cemetery area to eleven busta and seven pyre sites. They date from the mid 1st to the 2nd century.

2 Introduction

This is the archive report for a 'Stage 2' archaeological excavation on Area H (Fig 1) of Taylor Wimpey's wider Colchester Alienated Land development, Colchester Garrison, Colchester, Essex.

Work was undertaken by the Colchester Archaeological Trust (CAT) on behalf of Taylor Wimpey in association with RPS Planning between September 2012 and February 2013. Post-excavation work was carried out in 2013 and 2015-2017.

Area H (2.07ha) is centred on NGR TL 99300 24600. Half of the site (to the northwest) consisted of an existing car park accessed via Butt Road and an area of unused hardstanding to the immediate southeast. The other half of the site (to the southeast) contained the MoD Sergeants' Mess and Education Centre (now Roman Circus Centre) along with a section of Le Cateau Road.

The southeast half of the site lies within the recently designated Scheduled Monument for the Colchester Roman Circus (SM no.35614). The archaeological context of the circus remains within the former Sergeants' Mess and army education centre (now Roman Circus House) are already reasonably well informed. Trial-trenches were dug within their respective gardens in 2005 for a Time Team television programme, and an additional excavation was carried out within the Sergeants' Mess garden in 2007 by CAT. These identified the western end of the Roman circus structure including the starting gates. However, since this area will not be redeveloped other than by refurbishment, this report relates only to the northwest part of Area H, where intrusive works in the form of a residential development and new car parking will take place. Potential minor impacts to the starting gates, cavea walls and interior racetrack were carefully considered within an RPS update to the Environmental Statement for the wider PFI Colchester Garrison redevelopment (RPS, 2008; *Impact Assessment for Colchester Roman Circus – Addendum to Chapter 15 (Cultural Heritage) of the MoD Colchester Garrison PFI: Composite Environmental Statement (Atkins, 2002)* and have been monitored during the ongoing Area H 'Stage 3' archaeological watching briefs (CAT Report 722).

Two excavation areas were laid out in the northwest half of Area H (Figs 1-2). Area H1 was located in the proposed housing area on the north side of the site, centred on evaluation trench HT8 where Roman burials were identified (see below). Area H2 was in the former line of Le Cateau Road from the car park access onto Butt Road, where a new road was going to be constructed. This was centred on evaluation trenches HT6 and HT7 where Roman burials were also identified (see below). Area H1 excavation covered an area 810m² and Area H2 705m². Monitoring was also carried out on a small length of drainage trench.

The requirements for archaeological excavation of this parcel of land were included in a 2002 strategy document for the overall development (*Colchester Garrison Alienated Land outline archaeological project strategy proposal and quality plan*, RPS 2002). This document details proposals for the works as required and agreed by Colchester Borough Council (CBC).

An overall archaeological strategy has been provided for the Alienated Land project by RPS for Taylor Wimpey (*Research design for archaeological evaluations, excavations and watching briefs on Alienated Land, new garrison, Colchester* RPS 2004). The strategy provides an outline framework for the mitigation of the archaeological impacts on the Alienated Land.

Trial-trenching has previously been undertaken on behalf of RMPA Services in advance of outline planning permission in 2002 (Stage 1a) within the potentially impacted northwest end of Area H. CAT, managed by RPS, undertook this evaluation to provide a 0.62% sample of Area H (CAT Report 206). This was comprised of three trenches (HT1-3, at 54m²), one in grassed land on the northwest side of Area H and two within an area of hardstanding on the

southeast side (Fig 2). No significant archaeological remains were encountered within these trenches.

The archaeological strategy required the level of trenching for full planning permission to be raised to 3%. In 2007 a further 2.38% of trenching was undertaken by CAT, managed by RPS (Stage 1b) (CAT Report 413). This was comprised of seven trenches (HT4-10, at 209m²) (Fig 2). Two were located in the area of waste ground to the rear of the former Garrison Sergeants' Mess, two in a grassed area on the Butt Road side of the evaluation site, one on the north edge of the site, one on the south edge, and the last in the centre. Fourteen Roman burials (12 cremations and two inhumations) were identified along with a number of Roman ditches possibly defining discrete burial plots.

The information obtained from the combined Stage 1a and Stage 1b evaluations determined the level of excavation carried out in 2012-3 ahead of the construction phase. A Written Scheme of Investigation (WSI) for Area H Stage 2 and Stage 3 works was submitted to and approved by CBC (RPS in association with CAT 2011).

In addition to the archaeological strategy (RPS 2004) and the Area H WSI (RPS with CAT 2011), all fieldwork and reporting was undertaken in accordance with CAT's *policies and procedures* (CAT 1999), Colchester Borough Council's *Guidelines on standards and practices for archaeological fieldwork in the Borough of Colchester* (CM 2002) and *Guidelines on the preparation and transfer of archaeological archives to Colchester Museums* (CM 2003), the Institute of Field Archaeologists' *Standard and guidance for archaeological field evaluation* (CIFA 2014a) and *Standard and guidance for the collection, documentation, conservation and research of archaeological materials* (CIFA 2014b). The guidance contained in the documents *Management of archaeological projects* (MAP 2), and *Research and archaeology: a framework for the Eastern Counties 1. Resource assessment* (EAA 3), *Research and archaeology: a framework for the Eastern Counties 2. Research agenda and strategy* (EAA 8), and *Standards for field archaeology in the East of England* (EAA 14) was also followed.

3 Archaeological and historical background

Drift geology of the area is predominantly sands and gravel. This is occasionally in a clay matrix, and is sometimes capped by cover loam. The site is flat.

The archaeological and historical setting of the Garrison redevelopment area was comprehensively explored at the start of the project in 2000, *An archaeological desk-based assessment of the Colchester Garrison PFI site* (CAT Report 97), with archaeological fieldwork ahead of the new garrison development providing an opportunity for detailed archaeological fieldwork including 12km of trial-trenching and three excavations.

The proposed site, like much of the land south and southwest of Colchester's modern town centre and the Roman walled town, falls within the area of the pre-Roman *oppidum* of Camulodunum, the Catuvellaunian royal estate. The only above ground traces of this *oppidum* are the linear banks and ditches of the defensive dyke system that surrounded it. The Garrison area occupies the eastern edge of the *oppidum*, and one of the defensive dykes (the Berechurch Dyke) crosses the extreme southeastern edge of the former Garrison, on the east edge of Area S1¹ (former Roman Barracks).

As presently understood, the *oppidum* had two main centres of activity: at Gosbecks Farm (2km south-west of the Garrison), which was a Late Iron Age (LIA) and Roman rural farmstead (and possibly the home of Cunobelin); and Sheepen (2km north-west of the Garrison), which was the industrial and trading centre. Apart from these two large centres, it is likely that there were a number of smaller domestic and farming sites in the *oppidum*. One of these was identified by the field boundaries, paddocks and other features recorded at Kirkee and McMunn Barracks in 1994 (Shimmin 1998: figs 8, 11). A further rural Late Iron Age and early to mid Roman settlement was investigated in 2010 at Garrison Area L/N (former Goojerat Barracks) (CAT Report 588). A large area of cropmarks is recorded over the southern part of the Garrison area. Geophysical survey has confirmed and added to the pattern of linear cropmark features (CAT Report 184). The open area excavations conducted ahead of the construction phase for the New Garrison (CAT Report 292) have established that they are latest Iron Age/early-mid Romano-British in date. They represent the trackways, paddocks and field boundaries of a rural settlement of that period.

Significantly a new section of large dyke (some 9m wide and 2.7m deep) representing a previously unknown segment of the eastern defences was excavated within Garrison Area A1 (former Hyderabad Barracks) (CAT Report 628). A 60m+ section of this dyke is aligned east-north-east/west-south-west towards the River Colne potentially creating a protected quayside area. The west end curves to realign southwards on the precise alignment of the Berechurch Dyke whose previous northern extent was 1km to the south at the Borough Cemetery. The new find suggests that the Berechurch Dyke extends 1km further north than had been thought (underlying modern housing) between the cemetery and the southeast corner of the former barracks at Area A1. A late Iron Age to earliest Roman settlement was probably located on the south side of this dyke (outside of the rampart) given occupation deposits and finds tipped into the dyke from the south side.

The earliest activity in the vicinity of Area H is dated to c 2500-2000 BC. This takes the form of Late Neolithic pits associated with settlement found in 2004 in Garrison Areas C1 and C2 (approximately 400m and 500m to the east and southeast of Area H respectively) (CAT Report 412). There is also some evidence for later prehistoric activity in the vicinity: Middle Bronze Age vessels, probably burial urns, were found on the northwestern boundary of Area J1 in 1908 (UAD no. 1247²). A Late Bronze Age pit was excavated beneath Flagstaff Road during the installation of the storm-water drain by the Anderson Group in January 2006, while

¹ See Appendix 6 for a location plan of all the Garrison areas

² UAD (Urban Archaeological Database) held by Colchester Borough Council; now known as the CHER (Colchester Historic Environment Record).

several Late Bronze Age settlement-related features were excavated in 2005 during the archaeological excavations for Taylor Wimpey on the northern edge of Area J1 North (*ibid*). As Area H borders Area J1 North, there was a potential for these Late Bronze Age features to extend into the excavation areas. No clear traces of the Late Iron Age *oppidum* landscape have been identified within close proximity to Area H, although as noted a settlement site with Late Iron Age origins was excavated as part of the wider project within Areas L/N (former Goojerat Barracks) 1km to the south.

Prior to the Stage 1a evaluation of 2002 (CAT Report 206), two archaeological find spots were noted on the UAD (nos. 1022-1023). These were Roman pots for probable cremation burials of Roman date (CAT Report 97, map 4). However, despite the general lack of available information, the archaeological context of the area is now relatively well understood following a series of evaluations and excavations conducted in adjacent Garrison Alienated Land (GAL) areas since 2000 (CAT Reports 206 and 412).

For Area H the Roman period is of major importance. Most importantly, a stone-built monumental Roman circus, currently unique in Britain, has been discovered during excavations in Areas B1b, C1, C2 and J1 and within the gardens of the former Sergeants' Mess and army education centre at the southeastern extent of Area H (CAT Report 412). Further elements of the circus include a monument base on the central barrier and the curved eastern end of the circus, both uncovered during service works at Napier Road in 2006. As a result of these works the plan of the circus is now well understood. The east-west orientated circus is approximately 450m in length and 70m wide and was used for chariot racing utilising up to eight chariots.

The other major Roman archaeological remains south of the Roman and modern town are parts of Colchester's Roman cemeteries. Before the GAL investigations, there were indications of the presence of several burial grounds here, including a group of burials in the northern corner of the Area J1 (J1 North), close to the entrance of Le Cateau Barracks (UAD nos. 1022-1023, 1095). These appear to be on the southern fringe of a wide area of burials focused on the partially explored Butt Road cemetery (CAR 9, 4-202). Other informative excavations of Roman cemeteries in Colchester to date have been at Butt Road (CAR 9), the Abbey Field (CAT Report 138), Turner Rise (Shimmin 1998), and Handford House (CAT Report 323). Roman Colchester is particularly significant for the study of cemeteries and funerary practice in Britain, because the town represents a fusion of two different populations, i.e. the indigenous British community and an immigrant 'Roman' one, each of which had its own beliefs and funerary practices.

At least twenty-eight Roman burials were found during construction of the athletics ground and sports pitches to the immediate east of Circular Road North in 1925 (Hull 1958, no 200; UAD no 1099; TL 9940 2430). Investigations in the same general area for the all-weather hockey pitch by CAT in 2000-1 recovered 73 more cremations, some only 300mm below existing ground (CAT Report 97, no 4; TL 9954 2441). Seven more were found during work on the Abbey Field car park in 2007 (CAT Report 424) and 21 during the excavation of Circular Road North (CAT Report 412). Larger concentrations of Roman burials, a mixture of inhumations and cremations, were excavated in 2004 and 2005 in Area J1 North (360 burials) and Area C2 (66 burials) (CAT Reports 361 and 412). The Area J1 North excavation lies directly to the southeast of Area H, showing that the cemetery area looked to extend into Area H.

During the 2002 trial trenching carried out in Area H no significant archaeology was encountered (CAT Report 206). However, the 2007 trial trenches revealed fourteen Roman burials (12 cremations and two inhumations) with a number of Roman ditches possibly defining discrete burial plots (CAT Report 413) (Fig 2). The burials were identified to the north and south of Area H, with an empty central trench suggesting that the burials may be laid out in two distinct plots. The burials were not excavated fully during this phase of work but formed the basis for the layout of the 2012-3 excavation areas.

Map evidence suggests that this area was farmland in the 17th century, except for the remains of the medieval St John's Abbey within its partially extant precinct wall, located partly within the Flagstaff House compound. Flagstaff House occupies the land along the north side of Napier Road. The two roads flank the north-western and western sides of the Abbey Field which has traditionally been used for Army training. Area H is located within the area of the former Le Cateau Barracks, formerly the Royal Artillery Barracks until 1893. These barracks were built in the early 1860s. The OS 1st Edition 1:500 map of 1874-1876 shows Area H as an open parade ground flanked by stable blocks to the south-west (within Area J1) and by barrack blocks to the north-east. The Sergeants' Mess, still standing within the southern part of Area H, is also shown; the former education centre was not built until the 20th century. The Abbey Field is shown as the army drill ground.

4 Aims and strategy

The general aim of the excavation was to recover sufficient evidence to detail the nature, date, function and importance of the archaeological features within the affected area. The overarching research themes, as stated in the research design, are to:

- Inform how the landscape was used and to what level of intensification, prior to the construction of Camulodunum (are there further indications of late Neolithic and Bronze Age settlement?),
- To elucidate the nature of spatial organisation within the *oppidum* and
- To address the question of the effect of the establishment of the Roman town on the agricultural hinterland.
- Elucidate the relative density of Roman burials and the influence of the recently discovered Roman circus across the northern zone of Colchester Garrison.

The specific aims of the Area H excavations are to:

- Identify and excavate all burials extending north from the immediately adjacent dense burial ground in Area J1 North (Area H2).
- Identify and excavate all burials on the north side of the site centred on evaluation trench 8, and to establish whether this cemetery represents the southern extent of the Butt Road cemetery or whether it is a separate burial plot (Area H1).
- Investigate the relationships between the two burial sites as well as the potential associations with the Roman circus and particular social and/or ethnic groupings.

Area H research priorities:

- To excavate, record and remove any human burials legally;
- To establish the origin and development of cemeteries and cemetery areas especially in relation to roads, fields and other parcels of land;
- To establish the location and nature of cemetery boundaries;
- To establish the relationship of cemeteries to non-funerary activities such as industrial production (e.g. pottery-kilns such as that found on the site of the former NAAFI Club/Arena Leisure Centre) and settlement (as seen in Area E to the east of Abbey Field);
- To establish the date and nature of the transition from the rite of cremation to that of inhumation;
- To establish the relationship between burials of different periods: ie whether it is possible to identify the existence of long-term burial traditions, including through the cremation/inhumation interface;
- To establish relationships between the movement, expansion and contraction of cemeteries and the topography of contemporary settlement in the Roman town;
- To establish the extent to which different populations and social groupings within them can be distinguished through their funerary remains;
- To characterise the population of Colchester and social groupings within it through the study of human remains;
- To establish the meaning of grave goods as expressions of religious beliefs and superstition;
- To establish the relationship with buildings (notably the Roman circus), tombs and other structures (funerary and otherwise) within cemetery areas;
- And, to improve the understanding of burial ritual, specifically the nature and location of cremation pyres or bustums.

5 Results (Figs 3-73)

Both excavation areas were machined stripped to the top of the archaeological horizon, this was carried out under the supervision of a CAT archaeologist. Machining occurred through four post-medieval/modern layers: HL1 (modern topsoil), HL2 (modern tarmac and crush), HL3 (post-medieval buried ploughsoil) and HL4 (post-medieval subsoil). Depths of HL1-HL4 ranged from 0.42m to 1.2m, with natural (HL5) identified at 33.42-34.14m AOD. All depths as listed in this report were measured from the top of the stripped excavation areas.

5.1 Period 1 – Palaeolithic and Mesolithic

There is no evidence of activity in Area H in this period.

5.2 Period 2 – Neolithic

There is no evidence of activity in Area H in this period.



Photograph 1 Bronze Age pit HF411, looking south

5.3 Period 3 – Bronze Age (Figs 4 & 7)

The earliest cut features on the site are three pits from Area H1 (HF384, HF411, HF615 – see Fig 4) and a tree-throw from Area H2 (HF280 – see Fig 7) containing prehistoric pottery that probably dates to the Late Bronze Age (Table 1). Pit HF411 contained approximately 50% of the prehistoric sherds by count and 70% by weight from the entire Area H site. In total these

four features contained approximately 55% of the prehistoric sherds by count and 75% by weight. The remaining prehistoric pottery from the site (comprising 87 sherds at 739g) was recorded residually in later features and layers scattered across the site.

This Late Bronze Age activity is almost certainly part of the same settlement area identified via several pottery rich pits and a substantial residual Late Bronze Age assemblage at the adjacent Area J1 site (Sealey, CAT Report 412). In fact, together Area J1 and Area H have produced the largest assemblage of Late Bronze Age pottery from Colchester.

Feature Number	Quantity	Weight (g)
HF280	4	11g
HF384	7	188g
HF411	96	2062g
HF615	1	9g

Table 1 Prehistoric pottery from prehistoric pits

5.4 Periods 4-5 – Early/Mid Iron Age and the Late Iron Age/Early Roman

There is no evidence of activity in Area H in this period.

5.5 Period 6 – Romano-British (Figs 5-6, 8-10, burial plans on Figs 11-72)

Area H in the Roman period consisted of two distinct cemetery areas. The cemetery areas are broadly contemporary but were laid out on different alignments and separated by a distance of approximately 20-40m. The first cemetery area was located in Area H1 and the second cemetery area in Area H2.

A full list of all the burials can be found in Appendix 1 with selected burials plans and illustrations on Figs 11-69.

5.5.1 The Roman cemetery area in Area H1

(For an overview of Area H1 see Fig 5; for close-ups and feature numbers see Figs 6.1-6.3)

A total of 85 burials were excavated in Area H1 consisting of 67 inhumation burials, 16 urned cremation burials and two unurned cremation burials. Two pits containing pyre debris were also identified along with a further nine possible burial features³ (where too little had survived or been excavated to be able to confidently assign them burial status). Eighty-one of the burials were located to the north of an east-west boundary ditch, HF399, which formed the southern boundary of the cemetery area. The final four burials were located to the south of this boundary ditch and probably represented an outlying burial plot.

Southern boundary ditch HF399 was recorded for 44m across Area H1 and measured approximately 1.76m wide and 0.57m deep. It continued beyond the excavation area to the east and west. To the west it was identified again as HF184 (2m long) and in the far north of Area H2 as HF46 (6.5m long) (also see Figs 8 & 10). All together this boundary measured at least 74m long. It had been recut in patches along part of its length⁴ and thirty-four postholes⁵ immediately to the south probably formed a fence line running parallel to it. It contained a quantity of Roman pottery, ceramic building material and building stone (Table 2). Most of the

³ HF94, HF472, HF483, HF539, HF555, HF636, HF637, HF663, HF684

⁴ Recuts numbered HF414, HF415, HF430, HF444, HF449, HF450, HF516, HF552, HF553, HF554

⁵ HF410, HF412, HF435-HF443, HF445-HF446, HF577-HF578, HF606-HF612, HF620, HF623-HF624, HF647b, HF648-HF650, HF670-HF672, HF677-HF679, plus possibly HF619, HF621-HF622

pottery was probably disturbed burial goods and the remains of vessels used for the burial feast. Some of the building material probably came from the robbing of mausoleum HF664/HF668 (see below). The ditch dates from the mid to late 2nd century onwards.

Feature number	Find type	Quantity, weight and date
HF46	Roman pottery	1 sherd (11g) - mid to late 2nd century
HF46	Roman ceramic building material	1 fragment (106g) - Roman tile
HF46	Roman quern stone	20+ fragments (60g) of very degraded lava quern stone
HF184	-	-
HF399	Roman pottery	173 sherds (2832g) - 2nd to 4th century <i>Intrusive</i> – 12th to the 14th century
HF399	Roman ceramic building material	76 fragments (9915g) - Roman brick, tile, imbrex, boxed flue tile and tesserae
HF399	Roman building stone	6 fragments (3419g) - Septaria 8 fragments (4344g) - Greensand limestone including a roughly rectangular piece and three sub-rectangular lumps. Acorn finial.

Table 2 Finds from boundary ditch HF399

A small section of parallel E-W ditch (HF55) was also identified 4m to the north of HF46 in Area H2 (see Fig 8) and may be associated with this boundary.

The full extent of the cemetery area to the north, west and east was not discovered during the excavation. Three small sections of Roman ditch identified in trial-trenches HT5 and HT9 during the 2007 evaluation are of interest though (CAT Reports 412 (Fig 4.2) and 413). A ditch running NNE-SSW was identified in HT5 (CAT Report 413, F38). Projected northwards this could have formed an eastern boundary (see Figs 2 & 5). If this ditch had continued northwards it should have been identified in Area H1 but unfortunately a modern service trench had been dug along this projected line. Another two ditches aligned east to west were identified in HT9 (CAT Report 413, F32 and F33). If projected eastwards either could have formed a northern boundary (see Figs 2 & 5). However, without further investigation none of the ditches can be confidently identified as boundaries to this cemetery area. Furthermore, monitoring during the redevelopment of the Butt Road Water Tower in 2017 revealed an urned cremation to the north of the east-west ditches identified in HT9 (CAT Report 1158) (see Fig 10 for location). This could suggest either that these ditches are not the northern boundary of the Area H1 cemetery and this cremation belongs with those excavated on this site, or that another cemetery area/outlying burial plot is located to the northwest.

It is likely that Roman burials continued beyond Area H1 to the north, west and east. Indeed an inhumation (HF179) and a possible burial feature (HF94) were identified further to the west of Area H1 during associated groundworks (see Fig 5). As a separate burial plot was located to the south of boundary ditch HF399 (see below), we know that burials continued to the south of Area H1. However, none of the earlier trial-trenches between Area H1 and Area H2 contained burials (HT2 (CAT Report 206) and HT4, HT5 and HT10 (CAT Report 413)), so this outlying burial plot may have been quite small.



Photograph 2 Boundary ditch HF399 with postholes, looking west

Phasing

All of the burials recorded in Area H1 dated from the 2nd to the late 3rd/early 4th century, although none definitely dated to the 4th century, meaning a period of use of approximately 200 years. The dating evidence also shows that the outlying burial plot to the south of ditch HF399 was contemporary with the main cemetery area.

None of the finds from the burials provided enough dating evidence to phase the individual burials. However, analysis of the relationships between the burials and other associated features within the main cemetery area indicate three broad phases, although some overlap is probable. First were the east-west inhumation burials, laid out between three north-south boundaries. Second were the north-south inhumation burials, many of which cut phase one features. Third were the cremation burials, which, where a relationship existed, either cut or sealed the earlier features.

Phase 1 burials and burial plots (east-west alignments)

The earliest burials on Area H1 were twenty-one inhumations aligned east to west, with the head (where possible to identify) placed at either end. A further seven inhumations buried slightly off this alignment appear to belong to this phase of activity and have been included here. This takes the total number of inhumations to 28. All of these burials were located to the north of boundary HF399 and respected the line of three irregular north-south boundaries,

which together divided the cemetery into at least four separate burial plots. A full discussion of these north-south boundaries can be found below.

Burial plot 1 (Fig 5 and 6.1) lies to the north of boundary ditch HF399 and to the west of Boundary 1. It contains three east-west inhumations (HF490, HF492, HF517). A large number of postholes⁶ found within the burial plot appear to be fence lines forming a strangely shaped enclosure around burials HF492 and HF517. Burial goods show that HF492 and HF517 cannot be earlier than the late 2nd century while HF490 dates from the early 2nd to the late 2nd/early 3rd century.

Burial plot 2 (Fig 5 and 6.1) lies to the north of boundary ditch HF399 and between Boundary 1 and Boundary 2. It contains five east-west inhumations (HF337, HF532b, HF548 (with HF421/HF422), HF549 and HF601) laid out side-by-side. A line of postholes⁷ along the eastern edge of Boundary 1 forms a fence line probably associated with the burial plot. Burial goods suggest that the plot dates from the mid 2nd century onwards.

Burial plot 3 (Fig 5 and 6.2) lies to the north of boundary ditch HF399 and between Boundary 2 and Boundary 3. It contained thirteen east-west inhumations (HF392, HF397, HF452, HF464, HF469, HF482, HF509, HF515, HF556, HF659, HF666, HF667 and HF680). The majority of the inhumations did not contain any dating evidence and only HF666 produced a date of the late 2nd to the 3rd century.



Photograph 3 Inhumations HF479 and HF512 with associated postholes, looking east

⁶ HF424, HF453, HF484-HF485, HF494, HF503-HF508, HF520, HF521, HF533-HF537

⁷ HF487-HF488, HF528-HF530, HF591

Burial plot 4 (Fig 5 and 6.3) lies to the north of boundary ditch HF399 and to the east of Boundary 3. It contained at least two inhumations (HF560 and HF662). Three other inhumations (HF646/HF652, HF647a and HF655/HF675) may also belong to this plot although they may be associated with the slightly later burial plot 5 (see below). Inhumation HF646/HF652 was the only burial that contained dating evidence, dating from the early 2nd to the mid/late 3rd century.

Boundary 3 was subsequently cut by a square double-ditched enclosure (Fig 5 and 6.3). The enclosure was formed by an external and internal ditch spaced 2m apart. These two ditches formed three sides of the square enclosure to the north, east and west. Boundary ditch HF399 formed the fourth and southern side. The northwest corner of this enclosure was outside of the excavation area but the return angle can be extrapolated. An entrance into the enclosure may also be located in this corner as none was identified within the excavation area.

The external ditch (HF557, HF630, HF631) was recorded for a total length of 17.65m. It was on average 0.93m wide and 0.35m deep. The internal ditch (HF614 and HF633) was recorded for a total length of 14.95m and was on average 0.91m wide by 0.34m deep. They dated from the mid 2nd to the 4th century (Table 3) and enclosed **Burial plot 5** which measured 8.4m (north to south) by 5.8m (east to west) (48.72m²). Central inhumation HF674 with its associated mausoleum (HF664/HF668) appears to be the primary burial in the plot. However, it is uncertain if east-west inhumations HF646, HF647a and HF655/HF675 were buried into this plot or the earlier burial plot 4.

Feature Number	Finds	Spot Date
External ditch		
HF557	16 pottery sherds (126g)	Mid 2nd to 4th century
HF630	5 pottery sherds (53g)	Early/mid 2nd to 4th century
HF631	SF163 rough tile counter (60g)	-
Internal ditch		
HF614	-	-
HF633	52 pottery sherds (3122g) (including a whole dish/bowl from sx4 which is probably a displaced burial pot), 9 fragments of Roman brick/tile/imbrex (903g), a fragment of septaria (320g), and 7 iron nails	Mid 2nd to 4th century

Table 3 Finds from the square enclosure ditches

Outliers

East-west burial HF179 was identified during drainage works to the west of the excavation area but presumably still within the cemetery area.

Phase 2 burials and burial plots (north-south alignment)

Twenty-six inhumation burials aligned north to south, with the head (where possible to identify) placed at either end, represent a second phase of burials. A further nine were off of this alignment but appear to belong to this phase of burial. This takes the total to 35 inhumations. Just under half of the north-south burials cut features related to Phase 1. Boundary ditch HF399 continued in use along with some of the burial plots, other boundaries had gone out of use and either been backfilled or allowed to silt naturally.

Three north-south inhumations (HF512, HF540 and HF547) were added to **Burial plot 1** (Fig 5 and 6.1). Ditch HF399 and Boundary 1 were largely respected by the three new burials. However, HF540 cut burial HF490, and HF547 was dug across the projected fence line that had enclosed burials HF492 and HF512.

In this phase north-south inhumations cut through both Boundary 2 (inhumations HF396 and HF408b) and the outer square enclosure ditch (HF639 and HF660). The inner square

enclosure ditch of **Burial plot 5** (Fig 5 and 6.3) does appear to have been maintained though. Six north-south burials were added to the square enclosure (HF640, HF641, HF645, HF681, HF686 and HF687) cutting all of the earlier east-west burials except for mausoleum burial HF674, suggesting that the mausoleum was still standing.

A further 25 north-south inhumations were buried to the north of boundary ditch HF399 and between Burial plot 1 and 5 (HF288, HF289, HF303, HF325, HF381, HF383, HF386, HF393, HF394, HF396, HF408b, HF460, HF468, HF474, HF514, HF523, HF546, HF576, HF590, HF596, HF639, HF654, HF656, HF660, HF691, and inhumation burial HF473 where it was not possible to determine which way the grave was aligned).

Irregular boundaries 1-3

Boundaries 1-3 are very unusual and need further discussion. All three are located to the north of boundary ditch HF399 and are aligned at a right angle to it. Together they defined several burial plots within the cemetery area (see above). Boundaries 1 and 2 were cut right up against HF399 but Boundary 3 terminated 0.85m from it and probably formed an entrance between the burial plots. All of the Phase 1 east-west inhumations were laid out respecting the line of these boundaries.



Photograph 4 Pre- and mid-excavation shot of irregular boundaries 1 and 2 (marked in red spray paint running north-south across the photograph), looking north

What is unusual is that these boundaries were not ditches or gullies. They were instead formed from three lines of grave-shaped slightly inter-cutting features. These features did not always form a continuous line but had a number of gaps or possibly entrances along their length. Boundary 1 was formed of ten of these features and recorded for an approximate length of 13.65m, Boundary 2 of nine features for 21.12m, and Boundary 3 of seven features for 13.18m. Each individual feature measured between 0.67-2.79m long and 0.41-0.95m wide, and were rather shallow at 0.10-0.35m deep. They contained small quantities of

Roman material including pottery, ceramic building material and other finds (Tables 4-6), dating from the mid 2nd to the mid 3rd century.

Analysis of the inter-cutting features within Boundary 3 revealed that this line of features began to the south and were cut northwards. This progression is also apparent in a small length at the north end of Boundary 2. Ditch HF399 therefore appears to be important in the initial alignment and orientation of these three boundaries. Potentially all three could continue beyond the northern edge of Area H1 but this cannot be confirmed without further investigation.

The size and shape of some of these features is very similar to the inhumations identified on Area H1, although all were considerably shallower (averaging 0.17m deep rather than the inhumation average of 0.51m deep) (Tables 4-6). This meant that many of them were identified as graves during excavation. But are they? None of the 26 features contained any of the inhumation material (human bone, coffin nails or staining, and/or burial goods) that might be expected in a grave. Human bone was however poorly preserved across the entire site so the absence of a body cannot be used as proof that a feature was not a grave. The shallow depth of the features may also have contributed to poor bone survival, although three similarly shallow graves (at between 0.24-0.29m deep) did produce some human bone, so it could survive in some instances at these depths. Also, a lack of coffins and/or burial goods could be interpreted as either an accident of survival (again due to the depth of the features) or an intentionally empty grave. A body could also have been buried with organic goods, such as being wrapped in a shroud, that would have completely decomposed and left no material remains. 'Empty' inhumations (without coffin, burial goods, or traces of organic material) are common in Roman cemeteries, with 25 examples in Area H1 alone. A complete absence of inhumation material in any of the 26 features remains suspicious though. Thirty-seven percent of the inhumations in Area H1 contained no inhumation material. Therefore, by extrapolation, only 10 (or 38%) of the boundary features should also in theory have contained no inhumation material. However, if they are graves then they represent a deliberate burial rite where the individual was not only buried in a line with earlier inhumations but either without coffins or burial goods, or with organic material alone.

If these features are interpreted as graves then they are aligned north-south, and should belong with the Phase 2 north-south inhumations. However, as mentioned, all of the Phase 1 east-west burials respect the lines these features create. In fact, the east-west burials within Burial plot 1 and 2 appear to be aligned side-by-side between these lines. The lines and boundaries they form must then have been in existence when the burials were laid out.

It might be possible to speculate that some form of non-archaeologically traceable boundary pre-dated the later grave-like features, for example a shallow ditch into Roman topsoil or a hedge. It would explain the alignment of the east-west burials against the boundaries. The possible north-south graves would then have been a deliberate and later addition within an earlier boundary line. Perhaps what we are actually seeing along all three of these lines are the remains of both earlier boundary features and later graves.

Four north-south inhumations and a cremation cut through some of the features forming Boundary 2 and Boundary 3. If these boundaries are lines of graves, they pre-date some of the other north-south inhumations within Phase 2. Boundary 3 also appears to be earlier than the outer ditch of the square enclosure, although this area was very disturbed by a modern service trench and relationships were not always clear.

In summary, Boundaries 1-3 existed in some form in the earliest phase of the cemetery area and defined distinct burial plots. At a later date, somewhere between Phases 1-2, inhumation burials may have been inserted into these boundary lines. If some/all of these features are interpreted as graves then they would increase the burial count in Area H1 by up to a maximum of 22 more inhumations. These inhumations would then represent a deliberate

burial rite where individuals were not only buried sequentially in old boundary lines, but were buried either within empty graves or with only organic material.



Photograph 5 Post-excavation photograph of irregular boundary 3 (running along the right-hand edge of the image), looking south

Information on the features relating to Boundaries 1-3 is displayed in Tables 4-6 below rather than in the burial list (Appendix 1).

Formed by	Length (m)	Width (m)	Depth (m)	Finds
HF409	2.79	0.93	0.16	One Roman pottery sherd, one fragment of Roman brick/tile (47g) and one piece of burnt flint (33g). <i>Intrusive</i> – one fragment of peg tile (10g) and one fragment of post-medieval/modern brick (62g) both probably from a service trench.
HF413	2.15	0.60	0.21	Thirty-four pottery sherds (mid 2nd century +), one fragment of worked stone, four fragments of septaria (391g) and two fragments of greensand limestone (908g). Some/all probably intrusive from pit HF417.
HF418	1.69	0.61	0.16	Five pieces of burnt flint (85g).
HF419	0.67	0.95	0.27	One prehistoric pottery sherd (25g)
HF425	0.66	0.76	0.13	-
HF427	0.98	0.75	0.10	-
HF558	0.91	0.62	0.27	One prehistoric pottery sherd (6g).
HF573	1.31	0.60	0.17	-
HF580	0.67	0.41	0.11	-
HF582	1.07	0.46	0.12	-

Table 4 Boundary 1 details

Formed by	Length (m)	Width (m)	Depth (m)	Findings
HF301	2.40	0.81	0.16	Three pottery sherds (mid 2nd century +) and one fragment of Roman imbrex (98g).
HF304	1.67	0.48	0.10	One fragment of Roman brick (202g).
HF305	2.23	0.67	0.35	One Roman pottery sherd, one fragment of Roman brick (785g) and three iron nails.
HF323	1.31	0.41	0.11	-
HF336	2.62	0.65	-	-
HF395	1.95	-	0.22	-
HF398	1.71	0.72	0.12	-
HF604	1.28	0.67	0.12	One Roman pottery sherd.
HF605	1.18	0.74	0.13	Four Roman pottery sherds and one fragment of Roman brick/tile (87g).

Table 5 Boundary 2 details

Formed by	Length (m)	Width (m)	Depth (m)	Findings
HF470	1.96	0.65	-	-
HF613	2.13	0.65	0.18	-
HF625	2.11	-	0.28	-
HF627	1.80	0.75	0.19	Thirteen pottery sherds (late 2nd to 3rd century) and six fragments of Roman brick/tile (218g)
HF638	1.55	0.79	0.27	Sixteen pottery sherds (mid 2nd to mid 3rd century), six fragments of Roman brick/tile (1426g) and one tessera cube (14g)
HF642	2.39	0.70	0.25	Nine pottery sherds (mid to late 2nd century) and four fragments of Roman brick/tile (77g)
HF661	0.34	0.64	0.10	-

Table 6 Boundary 3 details

Phase 3 burials (the cremations)

Eighteen cremation burials (16 urned⁸ and two unurned⁹) represent the latest phase of burials on the site. They are probably associated with two pits containing pyre debris (HF287 and HF632). They were recorded scattered across the site with no discernible boundaries or burial plots. Three cut earlier inhumations and one was located within the line of Boundary 2. Another four were cut into the upper fill of boundary ditch HF399 and the internal square boundary ditch, so both ditches had been largely backfilled by this time. Pot scatter HF555 may represent the remains of an extremely disturbed burial feature, but as it was also located within the square-ditched enclosure it could equally be related to any of the inhumations within the burial plot.

Outlying burial plot (Fig 6.3)

A separate burial plot lies to the south of boundary ditch HF399. It contained four east-west inhumations (HF541, HF579, HF584, HF643/HF644). A curving east-west ditch (HF525) to the far southeast may represent the southern boundary of this plot, but too little of the feature was located within the excavation area to allow for any certainty. Only two of the four burials contained burial goods. Inhumation HF643 dated from the mid/late 2nd to the 3rd century and inhumation HF579 from the late 3rd to the 4th century. This outlying burial plot was then contemporary with the main cemetery area to the north and may represent a familial group.

Familial groups

Burial plots are generally perceived to be areas where families and/or groups could be buried together. In some cemeteries it might be possible to identify genetic traits (showing family

⁸ HF295, HF382, HF388, HF389, HF390, HF391, HF420, HF429, HF465, HF466, HF477, HF571, HF572, HF575, HF598, HF602

⁹ HF380, HF408a

relations) during the analysis of the inhumed and cremated bone from burial plots. However, human bone from this site was in such a poor condition (where it had survived at all) that no genetic traits were visible.

Multiple burials could also represent some form of familial relationship. At the Eastern Cemetery of Roman London multiple inhumations were identified as two burials side-by-side, or two or three burials stacked (Barber and Bowsher 2000, 100). Multiple cremation burials contained more than one individual in the same urn or grave, whereas dual cremation burials contained individuals within separate urns within the same grave (*ibid*, 109-110).

Burial goods suggest one instance of a child being buried in an individual coffin side-by-side with an adult/sub-adult in the same grave cut (HF468). There was also one definite stacked burial with HF659 buried almost directly on top of HF666 (Fig 6.2). They were then sealed by two later burials that may or may not be related (HF474 and HF656). This was one of the few instances on Area H1 where there was a cluster of intercutting graves. Another cluster was located within the square-enclosure where another familial group may have been located (Fig 6.3).

The burials (all phases)

The inhumations

Inhumation burials were by far the most common type of burial identified on the site with a total of 66 single burials and one dual burial. The graves were rectangular in plan with vertical sides and a flat base. Their size varied considerably, probably determined by the size of the body and/or the timber coffin. On average graves measured 2.08m long, 0.89m wide and had survived to a depth of 0.5m. The lengths varied from 1.07m to 3.4m, with widths of between 0.54m and 1.95m, showing that both adults and children had been buried.

Due to the extremely acidic soil conditions of the site, human bone had survived in only 21 of the 67 burials (31%)¹⁰. It was also in a very poor state of preservation, with the best preserved only producing 453g of bone in total. Three males were positively identified along with two possible females and a possible male. All of the males were adults, aged as mature, 50+ and 25-40 years old. The possible females were both adults, one aged 25-35 years old. Six other skeletons could not be sexed but could be aged. There were four adults, one possible adult and a juvenile aged 8-10 years old. Burial goods further revealed the presence of two children and an adult/sub-adult¹¹.

All of the skeletons showed features that are typically Caucasian. Healed breaks and fractures were noted on the left leg of an adult (HF641) and right arm of a mature male (HF674). Evidence of nutritional deficiencies or illness when young was apparent on the teeth of the juvenile (HF549). He/she also had a cavity at death suggesting access to sweet foods and perhaps poor dental hygiene.

In total 82% of the graves were orientated on an east/west (42%) or north/south alignment (40%) (Table 7). These alignments respect the orientation of the east/west boundary ditch and north/south boundary lines. Confirming that the alignment of the internal boundaries played an important part in the layout of the cemetery.

In only 18 graves (27%) was it possible to further identify the orientation of the body within the grave (Table 8). This was based on the position of the skull and any other surviving skeletal remains, and on the position of hobnails shoes if the body could be shown to be wearing them. Eight bodies were buried with their heads to the west, two with their heads to the east, six to the north and one to the south. Another burial was possibly positioned with the head to the north, but it is uncertain if the body was buried wearing its hobnail shoes.

¹⁰ Following summary of the human bone taken from Curl, this report

¹¹ Crummy, this report

Orientation of grave	E-W (or just slightly off)	N-S (or just slightly off)	NE-SW	NW-SE	WNW-ESE	ENE-WSW	uncertain
Number of graves	28	27	4	4	2	1	1
Percentage of total	42%	40%	6%	6%	3%	1.5%	1.5%

Table 7 Orientation of graves

Position of the head	N	S	E	W
Number of burials	6 (+1?)	1	2	8

Table 8 Position of the head within the graves



Photograph 6 Inhumation burial HF549, looking west. A coffin stain is visible in the base of the grave. Only the skull had survived but the individual was buried with a jar and nailed leather footwear.

Thirty-one of the inhumation burials (46%) appear to have been buried within wooden coffins. All but two were identified by coffin nails (planned *in situ*) and wood staining, with the last two identified by wood staining alone. Although the absence of coffin nails and/or wood staining does not necessarily mean that no coffin was present.

All the coffins were simple rectangular boxes, although the presence of wood staining without nails may indicate that the body had actually been buried on a wooden plank rather than in a coffin. Where nails were present they clustered in the bottom four corners, probably where the base, end and side pieces fixed together. The number of coffin nails present, varying from between none to fifty (average of 22), indicate that in some cases other methods, such as wooden pegs and dovetail joining, had been used to fix the wooden pieces together. The size of the nails used also varied greatly, but is likely to be associated with the thickness of the wooden panels and what nails were available to use during construction.

On average the coffins measured approximately 1.66m long by 0.52m wide. The largest coffins measured 2.2m long by 0.6m wide (HF674) and 2.15m long by 0.65m wide (HF674 and HF680), with four others measuring over 2m in length. Three of the individuals buried in these large coffins were identified as adults, and it is likely that the remaining four are as well. The smallest at 0.55m long by 0.35m wide (HF408b) must have been for an infant. Taken at face value, seven of the coffins measuring under 1.55m (5') could have been child burials, two of which are confirmed by bone or grave good evidence (HF549 and HF556). However, HF645 seemingly has both an adult burial and a small coffin (0.9m long by 0.4m wide). Was this actually a double burial with a child buried within a coffin alongside the adult? Or is the coffin actually a box?

No other coffin fittings were identified within the graves, although at least one had a lid as HF641 had two layers of coffin nails measuring a 0.35-0.45m difference in height. In other examples, the decomposition of the body and coffin may have left the nails at a similar depth. Lids could also have been fixed by inorganic means (ie being tied to the coffin) or placed on the coffin and left unfixed leaving no archaeological trace. For example, two jars were recorded 0.35-0.45m from the base of the coffin in HF548, suggesting they had been placed on the lid of the coffin rather than inside it.

Twenty-eight inhumations (42%) contained burial goods (Table 9). Eighteen had been buried with pottery vessels, ranging from in number from one to six. Eleven were buried with nailed leather footwear, five wearing the footwear, three not wearing the footwear and three where it was uncertain. Other burials goods included coins, armlets, an amulet, bell, knife, finger-ring, and mirror, and a large selection of metal objects from HF579.

From the burial goods it was possible to tell that HF556 was a child (having been buried with a bell), and that inhumation HF468 was a dual burial (where two or more individuals were buried within the same grave but in separate coffins). It contained seven armlets likely from a child and one armlet fragment from an adult/sub-adult along with an amuletic jet pendant that was probably worn around the neck of the child. One particularly interesting inhumation (HF579) containing six vessels and a large selection of metal objects may also be a multiple burial (a detailed discussion of the items from all these burials can be found in the small finds report, section 6.2).

All but one of the adults were buried with vessels and/or shoes, as was the only juvenile. Unfortunately the poor survival of the human bone has meant that further analysis of the burial goods with regard to age and sex of the deceased is not possible.

Feature Number	Sex/Age	Vessels	Shoes	Other Burial Goods
HF337				3 coins wrapped in textile
HF386		Flagon		
HF393		Bowl, Beaker		
HF394			Shoes	Mirror
HF452			Shoes (not wearing)	
HF464			Shoes	
HF468	Child (from BG) Adult (from BG)			Seven armlets and a jet amulet (child) Armlet fragment (adult/sub-adult)
HF469			Shoes (wearing)	
HF473		Flagon, Beaker		
HF490	Adult	Flagon		
HF492		Flask, Dish	Shoes (wearing)	
HF517		Beaker, Beaker/Jar	Shoes (not wearing)	Two coins and a finger-ring
HF532b		Beaker		
HF548		Jars x2		
HF549	Juvenile (8-10)	Jar	Shoes	
HF556	Child (from BG)			Bell
HF560				Armlet and knife
HF579		Beakers x4, Jar & Jar/Bowl		Metal objects
HF596	Mature male	Jars x2, Dish		
HF601		Flagon		
HF639			Shoes (wearing)	
HF640		Jar		
HF641	Adult		Shoes (wearing)	
HF643/4		Jar		
HF645	Adult	Jar		
HF646/652	Adult	Dish	Shoes (not wearing)	
HF666	Adult, Female?	Beaker	Shoes (wearing)	
HF686	Mature male	Beaker		

Table 9 Burial goods found with inhumations (BG = age of individual based on burial goods not human bone analysis)



Photograph 7 Adult in inhumation HF641 buried wearing nailed leather footwear.



Photograph 8 Some of the burial goods from inhumation HF579.

The cremations and pits containing pyre debris

Eighteen cremation burials were excavated in Area H1. This total can be subdivided into sixteen urned cremations and two unurned cremations. A further two pits containing pyre debris were probably associated with this burial activity. All of the burials were recorded scattered across the site with no discernible boundaries or burial plots. The ratio of urned to unurned cremations does indicate that the urned cremation was the dominant type of cremation burial rite used on the site.

The cremations were generally buried within small circular or oval shaped pits. The average diameter of a circular pit was 0.36m (varying from 0.22m-0.65m) and the oval pits averaged 0.41m by 0.35m (varying from 0.35-0.54m and 0.25-0.5m). The appearance of each pit was probably determined by the size of the deposits, the size of any urns and the size of any associated burial goods. Their average surviving depth was 0.17m, meaning that many of them were disturbed with only the base of the burial pits surviving intact.

Cremated human bone had survived in all but one of the burials and they were all single cremations. Little information could be gathered from the bone¹². One urned cremation was identified as a young male adult, one as a young adult and another as young.

Where identification was possible all of the cremation urns were jars. Bowls had been inverted over two of them and used as lids. One urn was buried with a dish and another was buried alongside a jar, beaker and another vessel. No other burial goods had been placed with the urned cremations.



Photograph 9 Urned cremation HF465, looking southwest. Only the base of the urn had survived.

¹² Curl, this report



Photograph 10 Urned cremation HF382 with cremation urn and two accessory vessels, looking west

Neither of the unurned cremations contained any trace of a container for the cremated bone. They were either buried without one or in an organic container which has since completely decomposed. A single mid-3rd century coin had been placed in one of the burial pits. The other contained no burial goods.

Only one of the pits containing pyre debris had cremated human bone, but both had charcoal scattered throughout the fill. Pottery sherds and nails may represent burial goods burnt on the pyre.

The burial markers

Mausoleum (Fig 5 and 6.3)

In the centre of the square double-ditched enclosure (burial plot 5) was rubble spread HF664. Measuring approximately 2.22m long, 1.7m wide and 0.20m deep, it sealed a rubble platform underneath (HF668). The platform was rectangular in plan measuring 1.95m long, between 0.5-1m wide and 0.35m deep. Two associated postholes on the north edge of the platform may also be structural. Posthole HF673 measured 0.54m in diameter by 1m deep, and posthole HF676 0.28m in diameter and 0.72m deep.

The platform had been robbed out and there was no trace of the superstructure still standing. The rubble consisted of over 20kg of Roman ceramic building material and almost 8kg of building stone, including one hand-carved curving face probably from a column or moulding (Table 10). The date of the robbing is uncertain with only six Roman pottery sherds identified dating from the mid 1st to the 2nd/early 3rd century.



Photograph 11 Rubble platform HF668, looking west.

Ceramic building material	Quantity	Weight (g)	Building stone	Quantity	Weight (g)
Rubble spread HF664					
Brick	12	5003	Greensand limestone – sub-rectangular lumps	7	1727
Tile	4	1598			
Imbrex	2	639			
Brick/Tile	2	451			
<i>total</i>	<i>20</i>	<i>7691</i>		<i>7</i>	<i>1727</i>
Rubble platform HF668					
Brick	19	9255	Greensand limestone – sub-rectangular lumps	2	3624
Tile	1	387	Greensand limestone – with curving face (part of a column/moulding)	1	2500
Imbrex	3	823			
Flue Tile	1	362			
Brick/Tile	7	1772			
<i>total</i>	<i>31</i>	<i>12599</i>		<i>3</i>	<i>6124</i>
<i>combined total</i>	<i>51</i>	<i>20290</i>		<i>10</i>	<i>7851</i>

Table 10 Building material from rubble spread (HF664) and rubble platform (HF668)

Underneath the rubble platform was inhumation HF674. An adult male (50+ years old) had been buried within a nailed wooden coffin measuring 2.15m long and 0.65m wide. No burial goods had been placed in the inhumation, although it does appear to have been disturbed, or possibly robbed-out, as most of the surviving human bone was found outside of the area of the coffin. Residual pottery within the fill of the inhumation dates from the early/mid to the late 2nd century.



Photograph 12 Inhumation burial HF674 with outline of wooden coffin visible in base of grave, looking west.

This type of structure is most likely to be a mausoleum erected over the burial in memory of the deceased. As it was located virtually in the centre of the enclosure it was almost certainly the primary burial for burial plot 5. The other burials surrounding the mausoleum may represent a familial group.

A hand-carved egg/acorn-shaped finial was also found nearby in boundary ditch HF399 along with a large spread of Roman ceramic building material and building stone (numbered HF511, see Fig 6.3). It is likely that this debris originated from the mausoleum or from other burial-related structures outside of the excavation area.



Photograph 13 Excavation of the egg/acorn-shaped finial.

Burial-markers

Three pit-like features (HF423, HF428 and HF467) were located at the 'head end' of two graves and are likely to represent the remains of burial markers. A further ten postholes are likely to be burial-markers with four more representing possible burial-markers. Most of these burial-markers were probably simple wooden posts erected, perhaps bearing the name of the deceased, after burial. However, the large pit-like features may suggest something slightly more substantial like a small gravestone, although the remains of no such stones were found.

Burial feature/ posthole number	Associated burial number	Type of burial	Location within/near to burial	Other notes
Features representing burial-markers				
HF423 and HF428	HF394	Inhumation	North end of the grave	Burial was orientated with its head to the north
HF467	HF468	Inhumation	South edge of the grave	The child was probably buried with its head to the south
Postholes representing burial-markers				
HF463 and HF471	HF492	Inhumation	Postholes cut into the NE and SW edges of the grave	Burial was orientated with its head to the west
HF493	HF547	Inhumation	Posthole on NW edge of the grave	
HF544	HF556	Inhumation	Posthole cut into the NE edge of the grave	
HF597	HF490	Inhumation	Posthole cut into NW corner of grave	

HF657	HF641 or HF647a	Inhumations	Posthole cut into SW corner of HF641 or HF647a	
HF682	HF647a	Inhumation	Posthole cut into NE end of grave	
HF658 and/or HF683	HF681	Inhumation	Posthole HF658 cut into the SE end of the grave. Post-hole HF683 located at the SE end of the grave.	
Postholes possibly representing burial-markers				
HF453	HF492	Inhumation	Posthole at the E end of the grave	Burial was orientated with its head to the west
HF489, HF518 and HF519	HF492 and/or HF517	Inhumation	Three postholes located between the two burials	The post-holes were laid out in a triangular shape. Burial HF492 was orientated with its head to the west and HF517 with its head to the east
HF545	HF474, HF556 HF656, HF659 or HF666	Inhumations	Posthole situated between five inhumations	Posthole could be related to any or none of the burials

Table 11 Burial-markers

Possible barrow burials (Figs 5, 6.1 and 6.2)

Two ring-ditches were identified within Area H1. Ring-ditch HF635 was located on the northern edge of the site. It had an internal diameter of 4.6m (16.61m²), the ditch itself measuring 0.23m wide and 0.11m deep. In the centre of the ring-ditch was a large, deep grave-shaped feature (HF669) measuring 1.73m by 1.31m and 0.80m deep. Despite its central position there was no secure way of establishing that HF669 was directly associated with the ring-ditch. No dating evidence was recorded from either.

The second ring-ditch, HF502, was located in the southwest corner. It had an internal diameter of 4.72m (17.48m²), the ditch measuring 0.24m wide and 0.08m deep. A series of ten stakeholes were identified around the inside of the ditch (HF561-HF570) with a diameter of 4m (12.56m²). Pottery from the ditch dated from the mid 2nd to the 3rd/early 4th century.

During excavation both of the ring-ditches were initially identified as early features that were cut by all subsequent Roman activity. At the time it was thought that they represented the remains of small roundhouses or more likely ancillary structures in a pre-Roman agricultural landscape. However, these types of ring-ditch roundhouses are a Middle to Late Iron Age phenomenon (in East Anglia, the Midlands and the South-East at least) and no features or finds of this date were identified on this site or are known from anywhere within the immediate landscape. Both ring-ditches were identified after several weeks of weathering and after the site had been cleaned a number of times. The fills were not at all obvious and there is every possibility that they were not cut by Roman activity but are in fact of a Roman/late Roman date. This would certainly coincide with the dating evidence from HF502. This raises the interesting possibility that they are in fact barrow burials.

Late Roman/post-Roman barrow burials have been identified across the GAL development area in Areas A1, C2, L/N and Napier Road (CAT Reports 412, 588 and 628). Ten barrow burials within Area C2 measured between 4m and 6.5m in diameter, and had narrow (c 0.60m wide) and shallow (c 0.14m deep) defining ditches. They generally consisted of a central and/or ancillary burial (inhumations and cremations) enclosed by a ring-ditch, the up-cast from which would have formed a visible mound of earth over the burial. However, empty barrows have also been identified across the GAL sites. In these cases it is thought that the burial was cut into the mound rather than into ground level and had been removed over the subsequent years.



Photograph 14 Possible barrow HF502 with internal postholes and other Roman features, looking east.

The interpretation of these Area H1 ring-ditches as barrow burials would certainly account for their location within a cemetery site and they were very similar in form and size to other nearby examples. Grave-shaped feature HF669 in the centre of ring-ditch HF635 may have been a central inhumation, although stratigraphically this was thought to be earlier than both inhumation HF660 and Boundary 3. Were inhumations HF660 and HF639 associated with the barrow instead? Neither inhumation could be dated, and both could be of later Roman date.

Rather than representing a roundhouse, the stakeholes around HF502 may have been a revetment for the burial mound or a fence around it. Therefore, there is a possibility that inhumations HF490, HF512 and HF540 were associated with the barrow. Inhumation HF490 was dated from the early 2nd to the late 2nd/early 3rd century and was probably more likely to be earlier and associated with the east/west burials in Burial plot 1. However, neither inhumation HF512 nor HF540 contained dating evidence and both could be of later Roman date. The fact that all four of the inhumations possibly associated with these barrows are aligned north-south would further suggest that they are a later addition to the cemetery and post-date the east-west inhumation alignment.

Non-burial features

The pits

To the north of boundary ditch HF399 were eighteen pits. Six¹³ contained small quantities of Roman material, dated from the 2nd century onwards. Twelve¹⁴ were empty and may date to this period.

¹³ HF387, HF417, HF491, HF527, HF574, HF634

¹⁴ HF324, HF416, HF426/HF524, HF448, HF513, HF543, HF550, HF553, HF588, HF616, HF617, HF626

To the south of boundary ditch HF399 nine substantial pits¹⁵ were cut in a line along the length of the ditch. All but two contained fragments of Roman ceramic building material and building stone, with three in particular (HF538, HF581, HF628) containing significant quantities of both. Four could be dated from the mid 2nd century onwards making them broadly contemporary with the outlying burial plot, but their relationship to the burials cannot be determined. Pit HF522 was also identified to the far southeast of the site.

The postholes

Seventeen postholes¹⁶ were excavated in the southwest corner of the site. They could be related to the ring-ditch, the burials or the later post-Roman well. Some appear to be in straight fence lines that cut across both the ring-ditch and burial plots 1-2, meaning they could be post-Roman in date.

5.5.2 The Roman cemetery area in Area H2

(For an overview of Area H1 see Fig 8; for close-ups and feature numbers see Figs 9.1-9.3)

A total of 139 burials were excavated in Area H2. These features consisted of 97 inhumation burials, 29 urned cremation burials, 10 unurned cremation burials and three pyres/bustas. In addition to this there were 64 pits containing pyre debris. Five features were so disturbed it was not possible to tell if they were cremations or pits containing pyre debris¹⁷, and a further seventeen were only identified as possible burial features¹⁸ (where too little had survived or been excavated to be able to confidently assign them burial status).

These burials represent a distinct cemetery area from that seen on Area H1. Excavations on Area J1 North (CAT Report 412) confirmed that this cemetery area continued to the southwest where it was bounded by a large Roman road or trackway that ran northwest to southeast across the site. Another ditch (HF28) aligned northwest to southeast was excavated to the north of Area H1, and probably represents the northern boundary for the cemetery, although urned cremation HF688 (identified during the monitoring of a drainage trench) was located to the north of the projected line of this ditch. Together the road/trackway and ditch defined a tapering cemetery area 50-70m wide. The full extent of the cemetery area to the east and west was not identified during either of the excavations on Area J1 North or Area H2. However, the eastern boundary probably lay somewhere between the edges of the site and the Roman circus 86m to the east.

The burials

Dating

The majority of the burials date from the 2nd to the 3rd centuries, some of which possibly originated in the earlier mid/late 1st century. None definitely dated to the 4th century. As would be expected, this is broadly similar to the dates seen in the burials from Area J1 North. In J1 North however, there was small peak in burial numbers in the mid-1st to the 2nd century. In contrast, the burials from Area H2 peak slightly in the mid 2nd to the mid/late 3rd century, perhaps suggesting that the burial plot expanded northwards away from the road/trackway over the 200+ years of use.

¹⁵ HF538, HF551, HF559, HF581, HF618, HF628, HF651, HF653, HF665

¹⁶ HF431-HF433, HF486, HF531, HF532a, HF583, HF585-HF587, HF589, HF592-HF595, HF600, HF603

¹⁷ HF33, HF79, HF80, HF129, HF181

¹⁸ HF42, HF135, HF146, HF147, HF157, HF162, HF166, HF168, HF202 (not planned), HF211, HF276, HF286, HF338, HF355, HF362/HF363, HF365, HF378

The inhumation and cremation burial rite on both Area J1 North and Area H2 are in contemporary use throughout the period. There are slightly more later cremations cutting earlier inhumations, but residual material from cremations (including human bone and burnt burial goods) was recorded in at least seven inhumations in Area H2.

Burial plots

The earliest dated Roman feature on the site appears to have been a small square-ditched enclosure (HF14, HF155, HF205, HF213, HF291, HF297) (Fig 8 & 9.1). Each side of the enclosure was approximately 6m long and the ditches measured on average 0.77m wide and 0.19m deep. The enclosure was aligned on a northeast to southwest and northwest to southeast axis, and enclosed an internal area of approximately 22.58m². Twelve postholes¹⁹ in a line around the inside of the enclosure seem to be contemporary with it.

The enclosure is orientated on the same alignment as the two known cemetery boundaries (the road/trackway in Area J1 North and the boundary ditch in Area H2) and the internal gullies/burial plots also seen in J1 North. This raises the possibility that this square enclosure is also an early burial plot. However, it is difficult to ascertain if any of the three burials found within it (an urned cremation, a small inhumation and a burial pit containing pyre debris) are actually contemporary with the enclosure or later additions. At least a further five Roman inhumations and ten cremations had been dug into the ditches of the enclosure after they had been backfilled but presumably within living memory.



Photograph 15 Square-ditched enclosure, looking southwest

¹⁹ HF320-HF322, HF327-HF335

Aside from the square ditched enclosure and its possible function as a small and exclusive burial plot, no other plots were identified in Area H2. A number of gullies were identified during the excavation of J1 North so we know that other burial plots did exist, but either they did not continue into Area H2 or they were removed by later activity.

Burial plots are generally perceived to be areas where families and/or groups could be buried together. In the absence of burial plots, multiple burials could instead represent some form of familial relationship. At the Eastern Cemetery of Roman London multiple inhumations were identified as two burials side-by-side, or two or three burials stacked (Barber and Bowsher 2000, 100). Multiple cremation burials contained more than one individual in the same urn or grave, whereas dual cremation burials contained individuals within separate urns within the same grave (*ibid*, 109-110).

There is one dual cremation (HF354) where a mature adult was buried inside a jar and a child/adolescent was buried in a bowl. There is also one possible side-by-side burial (HF176) where the skeleton of a mature adult male was discovered in the same coffin with the skull of a young female. Unfortunately half of this grave was located outside of the excavation area making it difficult to ascertain if it was just the head that had been buried with the male, perhaps suggesting a more sinister burial, or if the rest of the female was simply in the unexcavated section of the grave.



Photograph 16 Inhumation burial HF176, looking northwest.

The Inhumations²⁰

Inhumation burials were by far the most common type of burial identified on the site with a total of 97 burials. The graves were largely rectangular in plan with vertical sides and a flat base. Their size varied considerably, probably determined by the size of the body and/or the timber coffin. On average graves measured 1.69m long, 0.68m wide and had survived to a depth of 0.37m. The lengths varied from 0.70m to 2.45m, with widths of between 0.34m and 1.34m, showing that both adults and children had been buried on the site.

Due to the extremely acidic soil conditions, human bone had survived in only 39 of the 97 burials (40%). It was also in a very poor state of preservation making it impossible to determine many of the body positions. Nine were definitely buried supine, in an extended position on their backs. Two of the best surviving skeletons were buried supine with their hands on their chest (HF125) and on their abdomen (HF126). Two were more unusual. The individual in HF167 appeared to be orientated with their head to the north but their legs had been placed over their pelvis (also pointing to the north). Similarly HF190a was found with the skull on the upper legs. Unfortunately the top half of both bodies had been cut away by later burials, and it is uncertain if they were deliberately buried in these positions or if it was the result of later disturbance.

Eight males were positively identified along with one possible male, and one female was positively identified along with two possible females²¹. All of the males were adults. One was possibly 20-25 years old, one was c 25 years old, two were 25-35 years, two were aged 40+, and the remaining three could not be aged. The females were also adults (including one young adult and one aged 20-25 years old). Thirteen other skeletons could not be sexed but could be aged. There were seven adults, one sub-adult (less than 20 years old), two young adults, and two juveniles (one aged 9-10 years).

Most of the skeletons showed features that are typically Caucasoid, the exception being the female from HF96. She showed some Negroid characteristics and was potentially of mixed race. This individual was of short stature and had a light build, which could be the result of pituitary dwarfism, but not enough of the skeleton had survived to confirm this. She did show signs of anaemia though. The mature adult from HF176 was also considerably shorter than average and may have suffered from hypopituitarism (a deficiency in the growth hormone leading to dwarfism).

The adult male in HF125 had different leg lengths, foot lesions and probably limped, with further evidence of back pain and discomfort. There was degenerative wear in the vertebrae of four adult males, two of which also had arthritis. Uneven wear on the teeth of the individual in HF126 suggested he had used his teeth for cutting.

²⁰ HF10, HF12, HF13, HF15, HF17, HF18, HF19, HF20, HF21, HF36, HF43, HF48, HF50, HF51, HF56, HF57, HF58, HF68, HF69, HF70, HF77, HF78, HF81, HF82, HF96, HF99, HF105, HF114, HF123, HF125, HF126, HF128, HF132 (possible inhumation), HF133, HF138, HF143, HF144, HF145, HF149, HF151, HF152, HF158, HF160, HF161, HF163, HF167, HF172, HF176, HF177, HF183, HF185, HF187, HF189, HF190a, HF191, HF192, HF193, HF194, HF196, HF197, HF207, HF208, HF210, HF221, HF222, HF223, HF245, HF269, HF270, HF271, HF272, HF273, HF274, HF275, HF278, HF300, HF302, HF308, HF339, HF340, HF341, HF342, HF343/4, HF345, HF347, HF348, HF350, HF353, HF357, HF364, HF377, HF400, HF475, HF476, HF481, and HF689 and HF690 excavated during the watching brief.

²¹ Following summary of the human bone taken from Curl, this report



Photograph 17 Inhumation burial HF125, looking southeast

In total 74% of the inhumations were orientated on a northeast to southwest or northwest to southeast alignment (with 62% recorded on Area J1 North) (Table 12). This alignment respects the orientation of the Roman road/trackway, boundary ditch HF28, the internal gullies/burial plots seen in Area J1 North and the square enclosure in Area H2.

In only twenty-two graves (23%) was it possible to identify the orientation of the body within the grave (Table 13). This was based on the position of the skull and any other surviving skeletal remains, and on the position of nailed leather footwear but only if the body could be shown to be wearing them. No particular head position dominated.

Orientation of grave	NW-SE	NE-SW	N-S	E-W	uncertain
Number of graves	37	35	14	9	2
Percentage of total	38%	36%	15%	9%	2%

Table 12 Orientation of graves

Position of the head	NE	SW	NW	SE	N	S	E	W
Number of burials	4 (+1?)	4	4	3	3	2	1	1

Table 13 Position of the head within the graves



Photograph 18 Inhumation burial HF96, looking west.

Twenty-seven of the inhumations (28%) were buried within wooden coffins. Coffins were identified by the presence of coffin nails and/or other fittings (planned in situ) and wood staining. Although the absence of coffin nails and/or wood staining does not necessarily mean that no coffin was present.

All the coffins were simple rectangular boxes. Nails clustered in the bottom four corners, probably where the base, end and side-pieces fixed together. The number of coffin nails present, varying from between six to 56 (average of 26), indicates that in some cases other methods, such as wooden pegs and dovetail joining, had been used to fix some of the wooden pieces together. The coffin from HF36 was even made with iron corner bindings rather than coffin nails (Fig 14). The size of the nails used also varied greatly, but is likely to be associated with the thickness of the wooden panels and what nails were available to use during construction.

On average the coffins measured approximately 1.54m long by 0.45m wide. The largest was 2.02m long by 0.55m wide (HF161), presumably for an adult, and the smallest 0.50m long by 0.25m wide (HF36), almost definitely for an infant. A further three of the coffins measured under 1.55m (5') and could have been child burials but this cannot be confirmed.

No other coffin fittings were identified within the graves, although at least three had a lid as HF81, HF96 and HF126 had two layers of coffin nails measuring a 0.35-0.45m difference in height. However, the absence of these nails does not mean that no lid was present, as it could have been fixed by inorganic means (ie being tied to the coffin) or it could have been placed on the coffin and left unfixd. Furthermore, the decomposition of the body and coffin may have left the nails at a similar depth.

Twenty-six inhumations (27%) contained burial goods (Table 14). Twenty had been buried with pottery vessels, ranging in number from one to five. Eight were buried with nailed leather footwear, two wearing the footwear, two not wearing the footwear and four where it was uncertain. Other burials goods included coins, a finger-ring, a glass jug and animal bone (probably from the burial feast). Unfortunately the poor survival of the human bone has meant that any analysis of the burial goods with regard to age and sex of the deceased is impossible.

Feature number	Sex/Age	Vessels	Shoes	Other burial goods
HF19		Jar & narrow necked jar/flask		
HF20		Jar/Beaker		
HF57		Jar (possibly residual)		
HF58		Jar (possibly residual)		
HF81		Jars x2		
HF96	Adult female (of mixed race)	Miniature jar	Shoes	Animal Bone
HF99	Adult	Beaker		
HF126	Adult male		Shoes (wearing)	Coin
HF143			Shoes (wearing)	Coin, finger-ring
HF144		Beaker, folded beaker, flagon		
HF145		Flagon?		
HF151		Flagon		
HF161		Jar, beaker & flagons x3	Shoes	
HF177			Shoes	
HF183	Young adult	Jar & flagon		Coin
HF187	Adult ?male	Jar		
HF190a	Adult male	Jar & flagon		
HF193			Shoes (not wearing)	
HF194				Coin
HF197			Shoes (not wearing)	Animal Bone
HF210		Bowl		
HF271		Beaker & jar		
HF300		Beaker	Shoes	
HF353		Jars x2		
HF475		Flagon		
HF481		Samian cup, bowls x2		Glass jug, all finds in a box

Table 14 Burial goods found with inhumations



Photograph 19 Inhumation burial HF161 with burial goods, looking southwest

The cremations

Thirty-nine cremation burials were excavated in Area H2. This total can be subdivided into 29 urned cremations²² and ten unurned cremations²³. All of the burials were recorded scattered across the site with no discernible boundaries or burial plots. The ratio of urned to unurned cremations does indicate that the urned cremation burial was the predominant type of cremation burial rite used on the site.

The cremations were generally buried within small circular or oval shaped pits. The average diameter of a circular pit was 0.42m (varying from 0.24m-0.61m) and the oval pits averaged 0.55m by 0.45m (varying from 0.38-1.12m and 0.32-0.80m). The appearance of each pit was probably determined by the size of the deposits, the size of any urns and the size of any associated burial goods. Their average surviving depth was 0.20m, meaning that many of them were disturbed with only the base of the burial pits surviving intact.

Cremated human bone had survived in all of the features and they were all single burials, aside from HF354 which was a dual burial. Little information could be gathered from the bone. Two females and three possible males were identified²⁴. The females were both adults, and the possible males were two adults and a juvenile. Six other individuals could not be sexed but could be aged. There was one adult, one teenager/young adult and another two identified as 'young'. The remaining two were a mature adult and child/adolescent buried together, one in a jar and the other in a bowl (HF354). The burial of another female was suggested by the grave goods present (HF283).

²² HF3, HF5, HF6, HF66, HF67, HF76, HF83, HF136, HF137, HF141, HF150, HF154, HF159, HF169, HF180, HF182, HF190b, HF199, HF209, HF214, HF219, HF283, HF284, HF285, HF307, HF346, HF354, HF358, HF688 (excavated during the watching brief)

²³ HF4, HF11, HF16, HF72, HF139, HF148, HF201/212, HF268, HF282, HF356

²⁴ Curl, this report



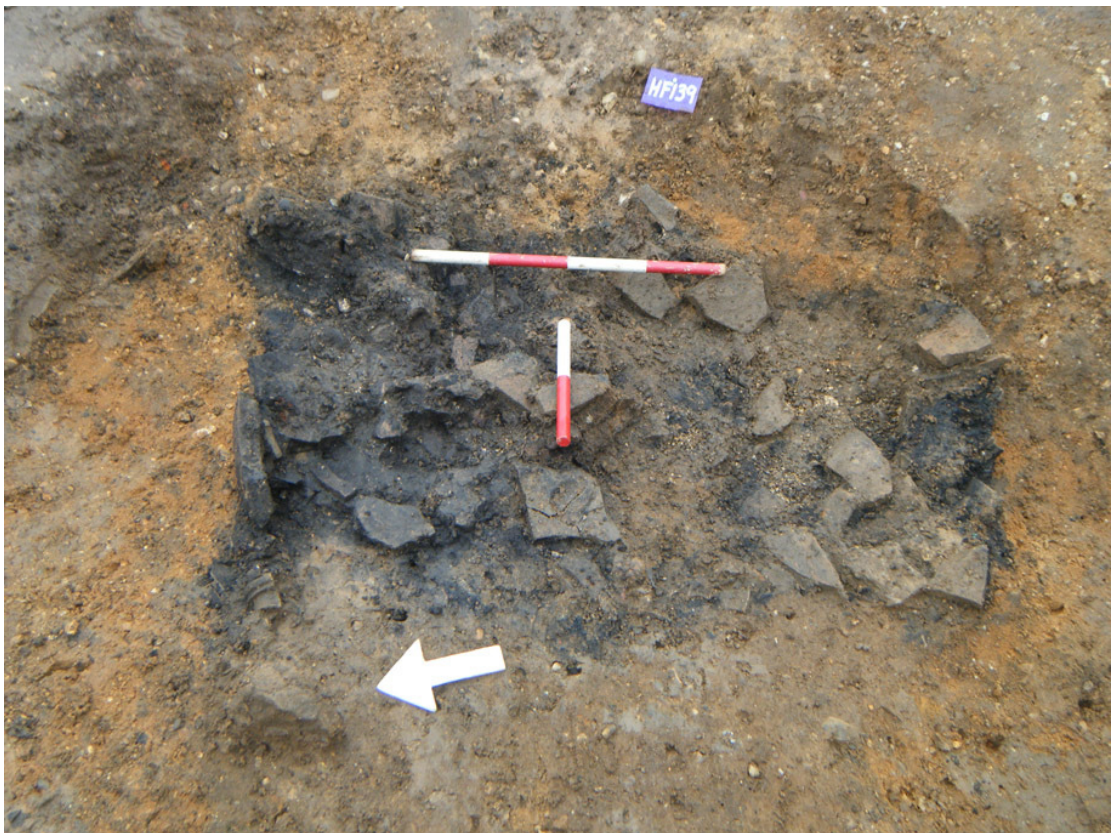
Photograph 20 Urned cremation HF214 with part of a jar used as a lid to the cremation urn, looking southwest.

Twenty-three of the cremation urns were jars and six were bowls. Ten of the urned cremations had other burial goods with them. Two had been buried with a lid and flagon, two with a flagon, one with a small dish/bowl, and in one instance a miniature jar and miniature flagon had been placed inside the urn. The remains of burial goods burnt on the pyre had also been gathered and placed in the burial pit in HF83 (a knife, counter, hobnails and nails), HF159 (glass and nails), HF190b (hobnails) and HF283 (bead, chain, metal strip, frit pellets, nails and hobnails).

The unurned cremations have been distinguished from the pits containing pyre debris (see below) if the cremated human bone had been deliberately collected and deposited in the burial pit. This is in contrast to the pits containing pyre debris where the bone was scattered throughout the fill. None of the unurned cremations contained any trace of a container for the cremated bone. They were either buried without one or in an organic container which has since completely decomposed. Three were buried with a small/miniature jar and one with a flagon. The only other burial goods recorded (from HF139) was a large quantity of pottery (some burnt) and burnt fragments of glass, a ceramic lamp, iron and copper alloy objects and a bone disc. These would all have been primary deposits burnt on the pyre and then collected and placed in the burial pit.



Photograph 21 Urned cremation HF199, looking northwest



Photograph 22 Unurned cremation HF139, looking southeast

Busta and pyre pits (HF156 & HF188 – Fig 9.1) (HF200 – Fig 9.2)

Only three features on the site were identified as either busta or pyre pits. One was positively identified as a bustum (HF188) but the other two (HF156 and HF200) are probably more likely to be pyre pits. Unfortunately, cremated human bone was recovered from only two of the three features, and then in such small quantities that no information on the deceased could be gathered²⁵.

Busta are a relatively uncommon form of burial and consisted of a grave-shaped pit over which a pyre had been constructed. When the body was laid out on this pyre and cremated, all the bone, burial goods and pyre debris fell into the grave below where they were usually left *in situ*. Busta burials are therefore identified as grave-shaped pits with steep sides and burning around the edges of the feature indicating that a pyre had been placed over the pit. They should also contain high quantities of charcoal and burning at the base (the pyre fuel falls into the pit first), then a large amount of cremated bone (sometimes still in recognisable anatomical form) sometimes with pieces of burnt and broken burial goods. The upper fill of the busta is then earth backfill.

Burial HF188 is probably a bustum. The grave-shaped pit measured at least 1.28m by 0.74m and 0.45m deep (although most busta are usually over 0.50m deep). It had steep sides that were scorched and burnt, and contained a large quantity of charcoal, some cremated bone and the remains of four pottery vessels and a wooden box with copper alloy fittings all burnt on the pyre. Three glass phials had been placed into the pit after cremation. The deposition of these secondary burial goods was a distinctive feature of the busta seen in Area J1 North. The date of this bustum also matches those from J1 North, dating the use of busta burials from the mid 1st to the 2nd century.



Photograph 23 Bustum HF188 showing three glass phials, looking southeast

²⁵ Curl, this report



Photograph 24 Bustum HF188 fully excavated, looking northwest

In contrast to the busta burials, pyre pits are not actually associated with the burial of the body but with the cremation burial rite. The initial phase of this rite was to cremate the body of the deceased on a pyre. These pyres were usually rectangular piles of wood, built either over a slight draught pit or at ground level. The body and any associated gifts or personal possessions were placed on top of the pyre and burnt. After being burnt the remains would then have been collected and buried elsewhere, as with the urned and unurned cremations. As many pyres are believed to have been constructed at ground level, most are likely to have left no evidence in the archaeological record. However, some appear to have been constructed over draught pits that are archaeologically detectable. They are identified as grave-shaped pits or hollows with burning around the edges of the feature indicating that a pyre had been placed over the pit. They should contain high quantities of charcoal and burning, a small amount of cremated bone (as most of it should have been collected for reburial) and sometimes pieces of burnt and broken burial goods.

Although neither HF156 nor HF200 could be fully excavated they both appear to be the remains of pyres. As excavated HF156 measured 0.80m long, 0.42m wide and 0.40m deep, with HF200 measuring 1.09m long, 0.62m wide and 0.44m deep. Nine pottery sherds and a nail were recorded in HF156. Pottery sherds, brick/tile and burnt flint were identified in HF200 along with 85 fragments of cremated human bone (166g). The pottery sherds in HF156 date from the mid 1st to the 2nd/3rd century, but those from HF200 could only be dated to the Roman period.



Photograph 25 Pyre site HF200, looking southeast

Pits containing pyre debris²⁶

As well as the pyre sites themselves, sixty-four pits were identified as containing pyre debris. This debris is considered to represent the disposal of surplus remains from pyre sites following formal burial of the cremation (ie urned or unurned cremations). The dumped material is fairly distinctive, consisting of a quantity of charcoal, burning, cremated human bone and burnt and broken burial goods, all of which were scattered throughout the fill of the receiving pit. This debris was generally buried within small oval or round shaped pits, and the pits in Area H1 measured on average 0.69m by 0.49m (or 0.47m in diameter) with a surviving depth of 0.16m.

Cremated human bone was recorded in 46 of the pits. Quantities ranged from 1g to 220g, showing that the amount of bone collected for burial varied and may not have been a primary consideration. A 'token' collection of ash from the pyre may have been regarded as representative of the whole or a symbolic act. Such pits may therefore represent the sole act of burial for some individuals.

²⁶ HF22, HF29, HF30, HF31, HF32, HF35, HF37, HF38, HF39, HF40, HF41/HF107, HF45, HF47, HF52, HF54, HF73, HF74, HF75, HF84, HF85, HF86, HF88, HF89, HF90, HF91, HF92, HF93, HF95, HF100, HF101, HF102, HF106, HF109, HF110, HF111, HF112, HF113, HF115, HF120, HF121, HF127, HF130, HF131, HF140, HF153, HF164, HF165, HF170, HF171, HF195, HF198, HF203, HF204, HF206, HF215, HF220, HF281, HF299, HF372, HF379, HF401, HF402, HF407, HF478

Fifty-five pits included pottery sherds, nails, hobnails, animal bone, fragments of ceramic building material and other items. A large percent of this material was probably residual but many were burnt and would have come from burial goods placed with the deceased on the pyre. These burnt remains included pottery vessels (HF90 and HF92), nailed leather footwear (HF41 and HF180), fittings from a box (HF32), fragments from a lamp (HF29) and glass vessel (HF195), and even a fragment of worked bone from a furniture leg (HF215). A copper-alloy coin was found in one of the pits (HF38) and as it had not been burnt may have been a secondary burial deposit.

Interestingly there was a concentration of pits containing pyre debris to the north of Area H2 on the periphery of the cemetery area.

Burial-markers



Photograph 26 Overhead shot showing square-ditched enclosure with inhumation burials HF161 (top), HF197 (bottom) and HF223 (right) surrounded by postholes.

Fences

Inhumations HF161²⁷ and HF197²⁸ were surrounded by postholes and had probably been fenced. Two lines of postholes partially surrounding HF36²⁹ and HF223³⁰ may represent similar fence lines.

Postholes

A small number of postholes probably represent burial-markers (Table 15). However, two clusters of postholes³¹ to the north and south of Area H2 are interesting. They are primarily scattered among cremations and pits containing pyre debris, and may also be burial-markers. These burial-markers were probably simple wooden posts erected, perhaps bearing the name of the deceased, after burial. However, the small number of burials recorded with these markers may indicate that it was not a widely used part of the burial rite.

Burial feature/posthole number	Associated burial number	Type of burial	Location within/near to burial	Other notes
HF59	HF13	Inhumation	Posthole cut into the SE end of the grave	Burial was orientated with its head to the west
HF173	HF51, HF149 or HF172	Inhumations	-	Posthole on edge of three inhumations, could be related to any of them
HF267	HF274 or HF342	Inhumations	Posthole in centre of HF342 or at SW end of HF274	

Table 15 Burial-markers

Possible barrow burials

Two ring-ditches were also identified within Area H2. Both had been mostly cut-away by a modern service trench and very little of the features had survived making them difficult to identify and record. Ring-ditch HF218 was only recorded for a length of 2.5m and ring-ditch HF351 for a length of 2.2m. Both ditches measured between 0.25-0.33m wide and were 0.10m deep. Neither had survived enough to allow for a full diameter to be measured, but both appeared to be of a similar size and shape to the ring-ditches from Area H1. The only find identified was one fragment of septaria from HF218.

Like the Area H1 examples, it is possible that these ring-ditches represent late Roman barrow burials. Unfortunately it was not possible to determine if there were any internal features associated with either ring-ditch, but HF218 did have an entrance 1.5m wide on the west side. All but one of the ring-ditches identified on Area C2 also had clear 'entrance gaps', presumably to allow visitors access to the internal mounds, perhaps to place offerings.

Non-burial features

There are several non-burial features on Area H2 that probably date to the Roman period. These are 21 pits³², ten postholes³³ and one gully³⁴. Some of the postholes may have been burial-markers but none were obviously so.

²⁷ Postholes HF225-HF242, HF292-HF294

²⁸ Postholes HF246-HF266

²⁹ Postholes HF60, HF61, HF62, HF63, HF64, HF65

³⁰ Postholes HF7, HF309-HF319

³¹ HF34, HF87, HF97, HF98, HF103, HF104, HF108, HF118, HF119, HF122, HF134, HF359, HF367, HF368, HF373, HF374, HF375, HF404-HF406

³² HF1, HF71, HF117, HF124, HF178 (not planned), HF216, HF217, HF244, HF298, HF306, HF349, HF352, HF360, HF361, HF366, HF369, HF370, HF371, HF376, HF402, HF403

³³ HF23, HF24, HF25, HF26, HF277, HF404, HF405, HF406, HF479, HF480

³⁴ HF53 (located outside the cemetery area)

5.6 Period 7-8 – Medieval to post-medieval (Figs 4 & 7)

Six sherds of medieval pottery were recorded during the excavations (54g) along with four post-Roman pits (Area H1 – HF526 and HF599; Area H2 – HF8/HF279, HF27).

In Area H1 a large feature (HF454, 2.04m by 1.67m) was located in the southwest corner of the site. It was partially excavated to a safe depth and then augured to a total depth of 2.2m but the bottom of the feature was not reached. Thought to be a well it was surrounded by eleven postholes³⁵ forming a fence line. No dating evidence was recovered, but given the health risks of locating a well on the site of a cemetery this feature was probably post-Roman, and most likely both post-medieval and associated with military activity on the garrison.



Photograph 27 Well HF454, looking northwest

5.7 Period 9 – modern (Figs 4 & 7)

Six pits (Area H1 – HF456, HF542, HF629; Area H2 – HF1, HF142, HF290) and several service trenches and patches of disturbance all date to the modern period and are probably associated with military activity on the garrison (HF2, HF9, HF186, HF326, HF499).

5.8 Other features (Figs 4 & 7)

Five natural features were recorded³⁶, seven numbers were void³⁷.

³⁵ HF455, HF457, HF458, HF461, HF462, HF495, HF496, HF497, HF498, HF500, HF501

³⁶ HF44, HF49, HF174, HF175, HF296

³⁷ HF224, HF434, HF510, HF385 (silt patch), HF447, HF459, HF685

6 Finds

6.1 Pottery by *Stephen Benfield* (Appendix 2-3)

6.1.1 Introduction

Pottery of prehistoric (pre-Belgic), Roman, medieval and post-medieval date was recovered. The great majority of the pottery is of Roman date.

6.1.2 Prehistoric pottery (Fig 73)

There are 195 sherds of hand-made, prehistoric (pre-Belgic) pottery with a total weight of 3,009g. The pottery was recorded using fabric types following Brown (1988). The pottery is quantified by fabric in Table 16 and listed by context in Appendix 2.

Fabric	Fabric description	No.	Wt (g)
A	Flint, small, 2, well sorted	7	28
B	Flint, small-medium, 2	135	2341
C	Flint, small-medium with occasional large, 2	36	422
D	Flint, small-large 2, poorly sorted	3	53
E	Flint & sand, small-medium, 2	7	50
H	Sand, small, 2	1	9
M	Grog, often with some sand or flint	4	90
Q	Flint, small-large, grog, small-medium, 2	2	16
	Total	195	3009

Table 16 Prehistoric pottery by fabric (2=6-10 inclusions per cm²)

Discussion

The small assemblage of prehistoric pottery mainly consists of exclusively flint-tempered sherds (Fabrics A-D), which in total account for just over 90% of the pottery (by count and weight).

A significant quantity of pottery was associated with pit HF411 and is clearly contemporary with the feature. The pottery from this pit (96 sherds, weighing 2062g) comprises approximately 50% by count and 70% by weight of the prehistoric pottery from the site. The average sherd weight is 21g. From differences in rim sherds there appears to be a minimum of two pots present in the group (Fig 73.1-2), which are both probably from large jars with simple, flared rims with slightly flattened rim tops.

The remainder of the prehistoric pottery was recovered as just a few sherds from individual features and much is clearly residual. The largest group from any one feature is seven sherds (HF385), but most was recovered as just single pieces or two-three sherds. The great majority of these are plain body sherds with sherds from three rims and three bases. The average sherd weight is 9.5g. Joining body sherds from HF385 (H652) probably represent a single large sherd broken after deposition.

The majority of the plain, flint-tempered body sherds are not closely-dated. The most closely-dated sherds indicate a small part of the assemblage is probably of Middle Bronze Age date. There are several sherds from thick walled pots which have some grog-temper (Fabric M) from HF161 and HF176 that are probably associated with the Deverel-Rimbury tradition dating to the Middle Bronze Age. One sherd from HF161 has possible spaced finger-pinching and another possibly part of handle scar. The sherd from HF176 has fingertip impressions on the shoulder.

The majority of the pottery is a post-Deverel Rimbury assemblage (Barratt 1980) broadly dating to the period of the Late Bronze Age-Early Iron Age (c 1000-400 BC). While close dating is difficult, a few of the vessel forms and some diagnostic traits suggest that the assemblage is primarily of Late Bronze Age date (c 1000-700 BC). There is almost no

decoration on the sherds, although one flat-topped rim HF308 (H637) has a depression on the rim top, suggesting fingertip decoration running around it. Also, there is a distinct lack of angularity among the vessel forms. The surviving shoulder of one jar from pit HF411 (Fig 73.1) is slack and rounded, while a slightly more angular shoulder from HF105 is undecorated. Rim tops are also plain, although most are slightly flattened. Dense gritting is noted on several base sherds including from pit HF411 and finger-wiping of surfaces was also noted on sherds from pot HF385 (H652). While some of the jar rims could date to the Iron Age the jars from HF411 are most easily paralleled among assemblages dated to the Late Bronze Age, and there is a rim from a small fineware bowl (Fig 73.4) from HL4 (H336) which is of Late Bronze Age type. The flint-temper in many sherds is generally fine (small-medium) and relatively well sorted while some sherds have sand- and flint-temper which could indicate an Iron Age date. However, the presence of vessel forms most easily paralleled among assemblages dated as Late Bronze Age and the lack of decoration and angularity (more typical of the Early Iron Age) suggests the majority of the assemblage is probably Late Bronze Age.

HF411 (688). Fig 73.1. Large, plain jar, part pot (71 sherds, weight 1612 g). Presumed all from one pot with joining sherds from areas of the rim body and base; simple flaring rim (slightly flattened on rim top) with faint vertical wiping on outside of neck and base heavily gritted on the underside, some internal burnt residue/sooting. Fabric B

HF411 (688). Fig 73.2. Rim, probably from a large jar, simple flaring rim with flattened top. Fabric B

HF667 (1019). Fig 73.3. Rim sherd from restricted mouth bowl or jar (sherd 12 g). Simple out turned rim (rim edge slightly flattened), smoothed body surface. Fabric C

HL4 (336). Fig 73.4. Fineware bowl, simple flaring rim, slack rounded body. Dark surfaces with fine, sparse flint. Fabric A.

6.1.3 Roman pottery

The Roman pottery was recorded using the Colchester Roman fabric type series (*CAR 10*). All of the Roman pottery fabrics referred to in this report are listed in a concordance in Table 17. Roman pottery vessel forms refer to the Colchester – *Camulodunum* (Cam) – pottery type series (Hawkes & Hull 1947 & Hull 1958). The pottery is listed by context in Appendix 3.

Fabric code	Fabric name
AA	amphorae, all (excluding Dressel 20 and Brockley Hill/Verulamium region amphorae)
AJ	amphorae (Dressel 20)
BA(SG)	South Gaulish plain samian
BA(MV)	Les Martres-de-Veyre plain samian
BA(EL)	Early Lezoux plain samian
BA(CG)	Central Gaulish plain samian
BA(EG)	East Gaulish plain samian
BX(SG)	South Gaulish mould decorated samian
BX(MV)	Les Martres-de-Veyre decorated samian
BX(CG)	Central Gaulish mould decorated samian
BX(EG)	East Gaulish mould decorated samian
CB	Colchester red colour-coated, roughcast ware
CH	oxidised Hadham ware
CZ	Colchester and other red colour-coated wares
DJ	coarse oxidised and related wares
KOL CC	Cologne colour-coated ware
EA	Nene Valley colour-coated wares
GA	BB1: black-burnished ware, category 1
GB	BB2: black-burnished ware, category 2
GP	fine grey wares (Colchester, London-type and north Kent wares)
GTW	Grog-tempered ware
GX	other coarse wares, principally locally-produced grey wares
HD	Shell-tempered and calcite gritted wares
HZ	large storage jars and other vessels in heavily-tempered grey wares

Fabric code	Fabric name
KX	black-burnished ware (BB2) types in pale grey ware
ON	mica-gilt wares
RET	Rettendon-type wares
TZ	mortaria, Colchester and mortaria imported from the continent
WA	silvery micaceous grey wares

Table 17 Concordance of Roman pottery fabrics referred to in the report

Pottery associated with burials

Pottery representing placed funerary pots were recovered from burials (cremations and inhumations) located in two separate groups referred to as Area H1 and Area H2. The pots were either clearly placed, or were located within the grave in such a way and sufficiently complete as to indicate deliberate placement rather than being residual and incidental to the burial. The pots are whole (undamaged), complete but damaged/broken, or part pots that represent a significant part of the vessel. All of the pottery recovered from individual burials is listed and described with each of the individual burial descriptions in Appendix 1.

Cremations

Overall, the pots recovered suggests that none of the cremation burials need date earlier than the Neronian-early Flavian period. There is a near absence of the most closely-dated of the earliest pottery associated with the Roman occupation at Colchester, notably early forms such as collared flagons, pre-Flavian colour-coated (fine) wares and imported Gallo-Belgic wares or local copies of Gallo-Belgic forms.

Several cremations from H2 contain pottery which can be broadly dated to the period of the mid 1st to early 2nd century. An unurned cremation (HF139) includes sherds from flagons of form Cam 140 (Claudio-Neronian) and Cam 143 (Neronian-Flavian) indicating a mid to late 1st century date. Another cremation (HF214) includes a flagon of form Cam 144 (Claudio-Neronian). Other pots used as urns include examples of jar forms Cam 227 (Neronian-early 2nd century) and Cam 266 (mid 1st to early 2nd century), with two examples of the jar/bowl form Cam 218 (mid 1st to early 2nd century) and a bowl of form Cam 243-344/246 (mid/late 1st to early 2nd century). A 'honey' pot of form Cam 177 (Claudio-Neronian to late 1st/early 2nd century) was recovered from a 2nd century cremation (HF209). However, all of the vessels from H1 and the majority from H2 date from the 2nd to the 3rd centuries.

The majority of the cremations have at least one placed pottery vessel used as a cremation urn. Where the form can be identified, commonly this is a greyware jar of form Cam 268 (early/mid 2nd to late 3rd/early 4th century). Storage jar forms in greyware, corresponding to Cam 270B and Cam 271 and broadly dating to the period of the mid 1st to 2nd/3rd century are also present, most on H1 despite the smaller numbers of burials there. Where accessory pots are present flagons of form Cam 156 (early 2nd to late 2nd/early 3rd century) occur with two cremations on H2 (HF209 and HF284). Black-burnish ware jars of form Cam 278 (early 2nd to 3rd century) occur with burials on H2, and black-burnish ware dish and bowl forms Cam 40B (2nd to 3rd century) and Cam 37B (late 2nd to 3rd century) are present on H1. There are also pots in Dorset black-burnish ware (GA) from H1. These are a dish of form Cam 39 (HF389) broadly dating to the 2nd to 4th century and a jar of form Cam 279C (mid/late 3rd to 4th century) (HF382); the latter indicating that cremation burials extended at least into the mid to late 3rd century.

From the above it can be seen that there are some differences in the placed pots with cremations on Areas H1 and H2, both in the types of pot and the sources of the pottery. Although based on a relatively small number of burials on each Area the difference could possibly reflect different chronologies on the two sites with cremation starting earlier on Area H2 and continuing later on Area H1.

Bustum burial (F188)

Much of the pottery in the bustum pit is quite broken-up and some sherds appear to be discoloured/scorched by heat. The condition makes it difficult to identify sherds as certainly from the same vessel and to separate out any sherds which might be residual within the feature. The significant quantity of sherds recovered can be seen to represent a minimum of four or five individual pots. These are one, possibly two flagons, a beaker, a flat rim bowl and a jar. It seems likely that most, if not all of these, had been placed on or around the pyre. That pots were positioned in this way can be shown by the assemblage from the fill of another *bustum* located nearby on Garrison Alienated Land (GAL) Area E (CAT Report 778, 5.2.1). This contained parts of a number of pottery *tazza* (recovered as groups of sherds) which form a distinct assemblage that can be directly associated with the *bustum* and are clearly not residual.

Pyre pits (HF156 and HF200)

The pottery from these pits consisted of broken sherds from a limited number of pots, one is noted as being scorched/burnt. Only a small quantity of pottery was recovered from pit HF156, but this included a base from what was probably a miniature pot in coarse oxidised ware (DJ) and a few sherds of greyware (GX). By contrast the pottery from HF200 included significant amounts of two flagons, though neither could be identified to form type. One (38 sherds weighing 912g) is probably of local manufacture (DJ), the other (16 sherds weighing 60g) is from the Brockley Hill potteries (FJ) and can be dated to the period of the mid 1st-early/mid 2nd century.

Inhumations

The majority of the inhumation burials were not accompanied by any placed pottery vessels. Where pottery is directly associated with them almost all is of mid-late Roman date (2nd to 3rd/4th century) or could be accommodated within that period. There is no indication from the pottery that any of the inhumations need date earlier than the early to mid 2nd century although some earlier dated pottery was encountered with a few of the inhumation burials.

Single pots dated to the 1st to early 2nd were associated with two inhumation burials on H2 and with one on H1. These appear to be anomalous in these contexts. One is a jar/bowl of form Cam 218 from HF19, which also contained a jar of form Cam 280 (mid/late 2nd to 4th century) so that the burial dates to after the mid to late 2nd century (Fig 13). A Cam 108-type beaker (1st to early 2nd century) was associated with a colour-coated beaker dated to the 2nd to 3rd century in a grave HF517. Also a beaker of Cam 104-type (1st to early 2nd century) was recovered from grave HF20, although this was the only placed pot in this grave. These pots appear to be of some age in relation to the burials from which they were recovered. Pots of a type that are beyond their usual currency, either old or ancient in the context from which they were recovered, have been previously recorded in Colchester at the Butt Road cemetery (CAR 9, 42-49). The pots here might possibly represent old pots still in use at the time of the burial. They might also represent incidental or deliberate inclusion (reuse) of pots from earlier burials on the site (CAR 9 47-49; Barber & Bowsher 2000, 122-123).

Almost all of the pottery associated with the inhumations dates to after the early 2nd century and unlike the cremations, where a container for the bone (in most cases a pottery jar) can be seen, at least in part, as a practical vessel and a practical choice, all of the pots from inhumation burials are accessory to the burial. However, jars remain relatively common as placed pots, including several examples of Cam 268 and Cam 278 (early 2nd to 3rd century). Most of these are probably local products. The beakers, flagons and dishes are also mostly of local manufacture and are well represented. Local colour-coated ware (CZ) beakers include forms Cam 391 (early 2nd to early 3rd century) and folded beakers of form Cam 407 (early/mid 3rd to 4th century). There is one fineware beaker of form Cam 123 (late 1st to 2nd century) and single examples of beakers from the Nene Valley and an imported Rhienish ware beaker (3rd century). The flagons are mostly of the 2nd century cup-mouth form Cam

156. There are a few examples of dishes most of Cam 40 (early 2nd to mid/late 3rd century). The only cup is an East Gaulish samian form placed in grave HF481 on Area H2 (see below).

The latest closely-dated pots associated with the inhumation burials are a jar of form Cam 279C (mid/late 3rd to 4th century) from HF640 and a bowl of form Cam 305 (late 3rd to 4th century) from grave HF393, both located on Area H1. Also, burial HF579 on Area H1 has a narrow-necked jar which appears to be Hadham oxidised ware (CH) which would date to after the late 3rd century.

Unusual pot forms

Pots from two graves are of specific interest. One is a flagon of unusual form from HF151, the other is a group of three pots from HF481, both located on Area H2.

The flagon (Fig 24, HF151.1) from HF151 is an unusual form. There appears no reason to suppose other than that this is a local (Colchester) product and the fabric (DJ) is cream/buff colour with a faint greenish tint. The form seems to marry a barrel like body resembling that of a pottery costrel with groups of grooves around top and lower body, to the top of a cup mouth flagon similar to Cam 156 (Hadrianic to early 3rd century). Broad similarities in appearance with some glass vessels can be noted, these being funnel-mouthed cylindrical bottles (Price & Cottam 1998, figs 92 & 93) which are dated to the mid to late Roman period of the late 2nd to 4th century. The form also suggests the more barrel-like bodies of some late Roman pottery flagon and flask shapes. However, the closest comparison is with a very similar pot in an oxidised (red-ware) fabric found at the work depot at Holt (Grimes 1930, fig 67, no 118). Other sherds from the same or similar forms there are in red ware with a white slip. The presence of further examples from undated contexts in Chester including mica-dusted examples are mentioned in the Holt report (*ibid*, 157). The mica-dusted examples were thought to indicate a date not later than the early 2nd century. The Holt works depot itself is dated to the period of the late 1st to early 3rd century, with the most intense activity taking place during the period of the early 2nd century (*ibid*, 48-53) and the pottery production there is thought probably to be Trajanic to Hadrianic in date (see Study Group for Roman Pottery, online Roman Pottery Bibliography, North Wales: page 1 entry 347). Overall a date in the 2nd century appears likely for the flagon from the burial, and an early to mid 2nd century date may be most likely. The fact that the Holt works depot is closely associated with the Twentieth Legion and that Colchester also has a close connection with the same legion should be noted.

The group of three pots (Fig 51, HF481.1-3) from grave HF481 is made up of a samian cup and two identical greyware pots of bowl form. The samian cup of form Dr 46 (HF481.1), is the only samian vessel recovered as a placed grave pot. A small section of the rim is detached (this is an old break) and was found with the pot. The form was produced throughout the production period of samian in the northwestern provinces but is most common in the early 2nd century. East Gaulish vessels may have been imported into Britain up to the mid 3rd century. The rim, which has an upstanding lipped edge, suggests a 2nd century date rather than later (Oswald & Price 1920, Plate LV) and the fabric, while not obviously micaceous indicates a central or possibly East Gaulish source. With this were two near identical greyware pots (HF481.2-3). These are broad open pots with an upright/collared, slightly hooked/internally lipped rim and a small footring, with a small groove just inside the footring edge. The form suggests they are bowls, but bowls of this form are not easily paralleled. There is some resemblance to the bowl form Cam 332, although this appears to be very rare, with Hull only noting examples in white ware (1963, 187 & fig 105) and none were recorded in CAR 10. The scarcity might suggest the examples of form Cam 332 are either unusual local products (as appears to be the case for flagon HF151.1) or are themselves not local. The two pots also have a resemblance to bowls from the Rhineland imported into Britain in the 4th century. However, the fabric, a sandy greyware with some small flint/quartz inclusions and common fine silver mica, is not typical of either Rhineland pottery broadly grouped under the blanket term 'Eifelkeramik' or the production centres of Mayen or Speicher (Fulford 1975). Also, the forms do not closely-parallel the Rhineland bowls, which commonly have an

internally thickened rim (Gose 1950, Tafel 47 488-493) or incurving rim (Gose 1950, Tafel 46 485-487) and which generally lack distinct footings; although production at another Rhineland site cannot be excluded. For example some Rhineland sites produced pots in a sandy greyware fabrics with one example from Lullingstone (Kent) dated to the late 2nd or 3rd century (Tyers 1992, 152). Equally there is some resemblance to bowls from Gaul (Tuffreau-Libre 1992, fig on page 78) but again the forms do not appear to be close parallels. Surprisingly the closest parallel appears to be with a number of greyware pots illustrated as lids in *CAR 10* (fig 6.82 789-798). These are described as the bowl form 'Cam 241 (drawn as lids)' (*CAR 10* 413). This bowl form was identified at the Late Iron Age-Early Roman *Camulodunum* site at Sheepen (Colchester) and resembles some of the continental bowls from Gaul (Tuffreau-Libre above) especially bowls described as non-spill bowls associated with Late Iron Age burials excavated in the Champagne region (Stead et al 2006 fig 137 no. 4 & fig 153 no. 3). The Roman form Cam 332 (above) is also similar to the lids illustrated in *CAR 10* and might possibly be this form produced in a white/buff ware, although there are no examples of this form listed in *CAR 10*. To return to the two pots in the burial HF481, the presence of the two pots together in a context in which they would be expected to conform to the purpose of accessory vessels (usually containers – jars bowls flagons, beakers and cups) would seem to argue against them being lids, or at least against a distinct function as lids for this form of pot. Also, the very small footing would make these difficult to pick up from the centre and (as lids) they could only be lifted by the edges. While not conclusive, it appears that the two pots are fulfilling the role of bowls and are most probably pots of local origin usually identified as lids. While the two identical pots are not closely-dated the form of the complete samian cup from the grave suggests the date of the burial is unlikely to date to after the late 2nd or early 3rd century. It can be noted that samian cup forms appear to be strongly represented in the Essex region, which could suggest a local cultural aspect at work here, with the two greyware pots being of local origin, rather than a more exotic influence with unusual imported pots (Willis 2011, 220-221).

Types and frequency of pots placed with the burials

Cremations

Of the 57 cremation burials, twelve (21%) can be described as unurned, there being no indication that the bone had been placed in a pottery container; although at least five (HF72, HF268, HF282 and HF356) had been accompanied by accessory pots.

Thirty-four of the 45 urned cremations (75%) had just a single pot consisting of a jar/deep bowl that had been used as a funerary urn to hold the cremated bone. Groups of pots with a burial, that is a funerary urn with one or more placed accessory vessels are much less common, appearing with only ten burials (16%). Five unurned burials also had more than one accompanying vessel (HF139), so groups of pottery with the cremations appear with approximately 26% of the burials. Most of the burials that have an accessory pot have only one accompanying vessel with multiple accessories occurring in four examples. The broad vessel types and the numbers of vessels recovered from cremations are listed in Table 18.

Of the accessory pots flagons (F) are the most common, with lesser numbers of dishes/bowls (D/B), bowls (B) beakers (BE) and small jars/beakers (BE/J). There is also a significant part of a Dressel 20 amphora (A), recovered as sherds from one burial which appear to have been burnt on the pyre. Where provided, accessory vessels (as is common to Roman burials) are of types primarily associated with the serving of food (dishes and bowls) and drink (flagons and beakers). In relation to this the absence of samian pots, a relatively common fine tableware among assemblages from the Roman town, is notable. However, low numbers of samian vessels with burials appears fairly typical of urban grave assemblages, for example the eastern cemetery of Roman London (Barber & Bowsher 2000, 122).

Area	Context	J	J (NN) 1[?]	D/B	B	F	BE	BE/J (s/mi)	A	O	Total	pottery
H1	HF295										1	jar(NN?) GX
H1	HF382	2					1			1	4	jar (NN); jar Cam 279C; beaker CL(NF); sherds, GX, part pot
H1	HF388	1									1	jar GX
H1	HF389	1		1							2	jar GX; dish Cam 39 GA
H1	HF390	1									1	jar GX
H1	HF391	1									1	jar GX
H1	HF420	1									1	jar Cam 271-type
H1	HF429	1									1	jar GX
H1	HF465	1									1	jar GX
H1	HF466	1									1	jar (large) GX
H1	HF477	1									1	jar Cam 268 GX
H1	HF571	1									1	jar GX
H1	HF572	1			1*						2	jar Cam 270 B GX; bowl Cam 37B GB used as a lid
H1	HF575	1									1	jar GX
H1	HF598	1			1*						2	jar Cam 270 B GX; bowl Cam 37B GB used as a lid
H1	HF602	1									1	jar Cam 268 GX
H2	HF3	1		1							2	jar Cam 231/232 GX; dish Cam 40B GB (Fig 11)
H2	HF5	1			1						1	carinated bowl Cam 227 GX (Fig 12)
H2	HF6	1									1	jar Cam 231/232 GX (Fig 12)
H2	HF66	1				1		1			3	jar Cam 268? GX, jar Cam 278(m) GB; flagon(m)
H2	HF67	1									1	jar GX
H2	HF72	1									1	Miniature jar following form Cam 266
H2	HF76	1									1	jar/bowl Cam 218 GX
H2	HF83	1									1	jar Cam 278 KX;
H2	HF136	1				1					2	jar Cam 268 GX; flagon DJ
H2	HF137	1									1	jar Cam 268 GX
H2	HF139					(2)			(1)		3?	amphora D20 AJ; flagons Cam 140 Cam 143/144; all burnt (pyre goods?)
H2	HF141	1									1	jar Cam 268 GX
H2	HF150	1									1	jar Cam 268 GX
H2	HF154	1									1	jar Cam 268 GX
H2	HF159				1						1	bowl Cam 221 bowl GX
H2	HF169	1									1	jar Cam 270B
H2	HF180	1									1	jar GX
H2	HF182	1									1	jar (rilled Brough-type?) GX
H2	HF190B	1									1	jar GX
H2	HF199	1									1	jar/bowl Cam 218 GX
H2	HF209	1				1				[lid]	3	honey jar Cam 177 DJ; flagon Cam 156; lid, GX
H2	HF214	1				1				[lid]	3	jar cam 270B GX; jar Cam 231-232 GX (lid); flagon Cam 144 DJ
H2	HF219	1									1	jar/bowl Cam 218 GX
H2	HF268	1									1	jar Cam 278** GB
H2	HF282							1			1	jar Cam 278(m) GB
H2	HF283										1	sherds GX
H2	HF284	1				1					2	jar Cam 268 GX, flagon Cam

Area	Context	J	J (NN)	D/B	B	F	BE	BE/J (s/mi)	A	O	Total	pottery
												156 DJ
H2	HF285	1									1	jar Cam 268 GX
H2	HF307	1									1	jar Cam 278 GB
H2	HF346	1									1	jar Cam 268 GX
H2	HF354A	1									1	jar Cam 266 GX
H2	HF354B				1						1	bowl Cam 218 GX
H2	HF356				1						1	flagon Cam 154/155 DJ
H2	HF358				1						1	bowl GB
H2	HF688	1									1	jar Cam 268 GX

Table 18 Types and number of placed pottery vessels recovered from cremation burials
Key: J-jar, J(NN)-narrow-necked jar, D/B-dish/bowl, B-bowl, F-flagon, BE-beaker, BE/J (s/mi)-beaker or jar (small or miniature), A-amphora, O-other.

Inhumations

Of 164 inhumation burials, the great majority were not accompanied by any pottery vessel. Thirty-eight (23%) had pots that were either clearly placed, or that were sufficiently complete and were located in the grave in such a way as to indicate deliberate placement, as opposed to the possibility of incorporation of residual pottery from earlier activity. The broad vessel types and the numbers of vessels recovered as placed pots from the base of the inhumation graves are listed in Table 19.

Among the accompanying pots classified as jars/deep bowls (J) are the most common type, with a few examples of narrow-necked jars (JNN). Jars are closely matched in frequency by flagons (F) and beakers (BE). There are lesser numbers of dishes/bowls (D/B) and bowls (B). A single cup (C) (HF481) is an addition to the range of vessel types and is notable as this is the only samian pot placed with any of the burials (both cremations and inhumations). As there is no need of a specific container, as occurs with the cremations to hold the cremated bone, in effect all of the pots with the inhumations are accessory vessels. As with the cremations there is an emphasis on vessels for serving food and drink. However, jar forms remain relatively common among the accessory pots.

Area	Ctxt	J	J (NN)	D/B	B	F	BE	BE/J (s/mi)	C	Total	pottery
H1	HF386					1				1	flagon DJ
H1	HF393				1		1			2	bowl Cam 305 GB; beaker ?Cam 407 GB
H1	HF473					1	1			2	flagon Cam 156B DJ; Cam 406 folded beaker CZ
H1	HF490					1				1	flagon Cam 156 DJ
H1	HF492		1	1						2	flask Cam 283 MQ; dish Cam 40A GB
H1	HF517						2			2	beaker Cam 108 type GX; folded beaker Cam 406 CZ
H1	HF532B						1			1	beaker Cam 123 GP
H1	HF548	1						1		2	jar Cam 268 GX; jar Cam 268? GX
H1	HF549	1								1	jar Cam 268 GX
H1	HF579	1	1		1		3			6	Cam 305A flanged bowl; beaker; jar/bowl; beaker GX; jar(NN) CH(?); Small indented beaker CL
H1	HF596	1	1	1						3	jar GX; jar(NN) Cam 281 GX; dish Cam 40 dish GB
H1	HF601					1				1	Cam 155-type? DJ
H1	HF640	1								1	jar Cam 279C? GA
H1	HF643/ HF644	1								1	jar Cam 278 KX
H1	HF645	1								1	jar Cam 268 GX

Area	Ctxt	J	J (NN)	D/B	B	F	BE	BE/J (s/mi)	C	Total	pottery
H1	HF646/ HF652			1						1	dish Cam 40B GB
H1	HF666						1			1	beaker Cam 392-type EZ
H1	HF686						1			1	beaker Cam 407 CZ
H2	HF19	1	1							2	jar Cam 218 GX; jar (NN) Cam 280 GX (Fig 13)
H2	HF20						1			1	beaker Cam 104-type GX
H2	HF57	1?								1?	jar Cam 268 GX, ?residual
H2	HF58	1?								1?	jar GX?, residual?
H2	HF81	2								2	jar Cam 268 GX; jar Cam 268 GX
H2	HF96	1								1	Small/miniature jar GX
H2	HF99						1			1	beaker Cam 407 CZ
H2	HF144					1	2			3	beaker Cam 391 CZ; folded beaker Cam 407 CZ; Cam 156 cupped ring-neck flagon DJ
H2	HF145					1				1	lost
H2	HF151					1				1	flagon DJ
H2	HF161					3	1	1		5	beaker/jar Cam 328 GB, flagon DJ; flagon Cam 156 DJ; flagon Cam 155 DJ, beaker Cam 391 CZ
H2	HF183	1				1				2	jar? Cam 278 GB; flagon Cam 156 DJ
H2	HF187	1								1	jar Cam 278 GB
H2	HF190A	1				1				2	jar Cam 278 KX; flagon Cam 156A DJ
H2	HF210				1					1	lid-seated bowl DJ
H2	HF271	1					1			2	beaker Cam 391 CB; jar Cam 278 GB
H2	HF300						1			1	beaker GP
H2	HF353	2								2	sherds from two Cam 278 jars KX
H2	HF475					1				1	flagon Cam 156 DJ
H2	HF481				2				1	3	cup Dr 46 BAEG; grey ware bowls(?) (x2)

Table 19 Types and number of placed pottery vessels recovered from inhumation burials
Key: J-jar, J(NN)-narrow-necked jar, D/B-dish/bowl, B-bowl, F-flagon, BE-beaker, BE/J (s/mi)-beaker or jar (small or miniature pot), C-cup

Ancient damage to pots placed with burials

Evidence of deliberate damage to pots before being placed with burials, possibly indicating a ritual act, is limited but appears on four pots. A complete black-burnished ware (GB) jar from cremation HF268 (HF268.1) has a small section of the rim missing that appears to be ancient damage. Two pots from inhumation HF596 have damage. A greyware (GX) jar (HF596.1) has a small section missing from the rim and a greyware (GX) narrow mouth jar (HF596.2) has a small section of the rim missing as well as a hole made into the body. The sherd from the puncture to the body was recovered from inside the pot suggesting that this damage was done immediately prior to burial seeming to strengthen a case for ritual damage in this instance. Another pot, a samian cup (HF481.1) has a sherd detached from the rim, which is an ancient break, while the sherd itself was found to be present in the burial, again suggesting a deliberate act at the time of burial. Neither of the two other whole greyware pots placed in the same grave have any damage. Similar damage to rims and pot bodies can be seen on a number of burial pots at Dumnow, Essex (Wickendon 1988) and has been noted on individual vessels from other burials on the Colchester garrison area (CAT Report 412).

Pottery from non-burial features

A large quantity of pottery was recovered from features and deposits other than burials. This includes a large number of residual sherds from the backfill of graves and from features with pyre debris. In total this amounts to approximately 6,500 sherds with a combined weight of approximately 69kg. The pottery was rapidly quantified and is listed by fabric in Appendix 3.

Fabric	no	%no	Wt/g	%wt
Imported fine wares – samian:				
<i>- Plain samian</i>				
BASG	10	0.15	120	0.17
BAMV	1	0.01	33	0.05
BACG	30	0.45	379	0.54
BAEG	23	0.35	349	0.50
<i>Sub total</i>	<i>64</i>	<i>0.96</i>	<i>881</i>	<i>1.26</i>
<i>- Decorated samian</i>				
BXMV	1	0.01	39	0.05
BXEG	1	0.01	4	<0.01
	2	0.02	43	0.06
Imported fine wares – other:				
KOL CC	2	0.03	46	0.06
RHL WH	3	0.03	118	0.17
<i>Sub total</i>	<i>5</i>	<i>0.06</i>	<i>164</i>	<i>0.23</i>
Imported coarsewares:				
AA	34	0.52	1167	1.68
AJ	314	4.79	11240	16.20
<i>Sub total</i>	<i>348</i>	<i>5.31</i>	<i>12407</i>	<i>17.88</i>
Local and regional fine wares:				
CB	4	0.06	44	0.06
CZ	56	0.85	335	0.48
ON	12	0.18	54	0.07
DZ	1	0.01	5	<0.01
MQ	17	0.25	163	0.23
<i>Sub total</i>	<i>90</i>	<i>1.35</i>	<i>601</i>	<i>0.85</i>
Local and regional coarse wares:				
DJ	1871	28.5	11185	16.13
FJ	64	0.97	1340	1.93
GA	47	0.71	843	1.21
GB	159	2.42	2020	2.91
GP	2	0.03	6	0.01
GTW	1	0.01	2	<0.01
GX	3812	58.0	36723	52.96
HD	2	0.03	30	0.04
HZ	44	0.66	1918	2.76
KX	12	0.18	238	0.34
RET	1	0.03	6	<0.01
TZ	16	0.24	593	0.85
UX	1	0.03	25	0.03
<i>Sub total</i>	<i>6032</i>	<i>91.81</i>	<i>54929</i>	<i>79.19</i>
Late Roman specialist wares:				
CH	2	0.03	8	0.01
EA	19	0.28	93	0.13
<i>Sub total</i>	<i>21</i>	<i>0.31</i>	<i>101</i>	<i>0.14</i>
<i>Total</i>	<i>6526</i>	<i>99.85</i>	<i>69126</i>	<i>98.29</i>

Table 20 Roman pottery other than that identified as placed with burials

Discussion

As an assemblage the pottery is interesting in that, apart from the burials, there is limited evidence for any other significant Roman activity on the site. This suggests that most of the

pottery recovered is likely to be associated with the funerary activity here. Potentially this provides an insight into a broad range of vessels which may be associated with the funerary rites here and were not placed with the burials themselves. The assemblage can be compared with the pottery placed with burials as well as indicating activity which is not apparent from the burial pots alone.

The predominant fabric groups are coarse greywares (Fabric GX) and coarse oxidised wares (Fabric DJ). The sherds indicate that the majority of the pots represented in these two fabrics are respectively jars and flagons. Some of the flagon sherds have clearly been affected by heat, primarily discolouration/scorching with a greying of the surfaces and breaks. This does not necessarily indicate exposure to fierce direct heat, but certainly could be associated with exposure to pyres or having been in contact with hot pyre debris as broken sherds. Heat damage is less apparent among the greyware sherds, which may be due to the nature of the reduced fabrics and the probable relatively moderate exposure to fire indicated by the coarse oxidised sherds.

The prominence of jars and flagons is reflected among the pottery placed with the burials. The most obvious contrast between the broader assemblage and the burial pots is the presence of samian. This is almost absent among the burial pots (represented by just a single pot in grave HF481) but it is present as sixty-four sherds in the wider site assemblage (approximately 1% by count & weight). The presence of this samian among the assemblage suggests it was being brought to the site, presumably as whole pots of which some at least were broken and discarded there. Sherds of samian are also clearly heat affected suggesting exposure to pyres or possibly hot pyre debris. The date of much of the samian shows that, for the most part, there is no possibility that it could be redeposited Boudican material. While some of the heat damage could be incidental, for example the scorching of residual sherds by pyres, it could also indicate a tangible link between the samian vessels and the funerary activities. While the discolouration of some of the sherds makes fabric identifications difficult, it is clear that samian from all three major production areas (South Gaul, Central Gaul and East Gaul) is present suggesting that samian was probably in use in the funerary activities during the 1st to 3rd century, but was not being placed with the burials. Given the limitations of recognising individual pots from separated sherds, a minimum of eleven pots are represented. Sherds from decorated vessels (Dr 37) are present, but are relatively rare in relation to sherds from plain vessels which are primarily dishes/bowls (Dr 18/31, Dr 31 & Walters 79) with some sherds from cups (Dr 33). This appears to emphasise the function or use of the plain vessels in serving food and drink to individuals rather than display aspects and possible communal servings potentially held by the larger decorated bowls. There is also a samian sherd from a closed form from HF160 (377) of which only the exterior is slipped and although not stained internally, this appears likely to be from an inkwell.

Samian vessels have proved very rare among burials excavated on former Garrison sites, located to the south of the town. For example burials on Garrison Area J1 North produced only one placed samian pot. This was a cup of form Dr 33 dating to the 2nd to 3rd century, which was part of a small group of pots with an inhumation burial (JNF83) (CAT Report 412). There are a small number of residual samian sherds from grave fill from the same site. However, among published grave groups from areas to the south-east of the town at Lexden, placed samian pots appear to be more common (May 1930, catalogue on pages 249-294). In part this may be related to chronological differences, there being a number of early Roman burials present at Lexden, but may also reflect differences in status or cultural background.

Sherds from some vessels in fineware fabrics are present but were not recorded with any of the burials. This includes a small quantity of Cologne colour-coated wear (Fabric KOL CC) and Rhineland white ware (Fabric RHL WH). Mica gilt wares (Fabric ON) are slightly more common, but again are not associated with any of the burials. Vessels in these fabrics primarily represent beakers and large flagons which could have been used in the funerary activities and like the samian they suggest that, on occasion at least, more pottery and a wider range of pottery was in use during funeral rites than was committed to the burial.

Of note among the coarseware vessel types not represented among the grave pots are a small number of sherds from amphora (Fabric AA) and from buff mortaria (Fabric TZ). Amphora are rare inclusions with burials after the mid 1st century, although the form Dressel 20 (Fabric AJ) is occasionally used as a container for cremation burials and more rarely other amphora types are also used this way (CAR 10, fig 3.7, no 140). The types of amphorae represented by the sherds here (other than Dressel 20) are not known, but they may be associated with the site through providing wine used in the funerary rites.

Stamps on Roman pottery

Amphora

HF146(314). Fig 73.5. Fabric AJ. Stamp on Dressel 20 handle **C.SEMPPOLC**[Callender (1965) catalogue number 472 C. Sempronii Polycliti. Funari (1996) catalogue number 321 C() Sempronii Polycliti. Stamps of this group appear at Sheepen (Hawkes & Hull 1947, fig. 45 no. 18 & Sealey 1985, plate 4). The stamps of this group are generally dated to the Claudian-early Flavian/Flavian period.

Samian

HF126(323) Fabric BAEG Form Dr 33. Base sherd with complete potters stamp, **CATVSF**, Catus iii, Rheinzarbern, die 4-a dated AD 160-210 (Hartley & Dickinson 2008, 302).

6.1.4 Medieval pottery

A very small quantity of medieval pottery sherds were recovered. In total there are six sherds with a combined weight of 54g. This small assemblage does not suggest any significant activity here in the Saxon or Medieval period. The fabrics refer to Colchester post-Roman fabric type series (CAR 7) and the quantity of pottery by fabric type is listed in Table 21.

Fabric name	Fabric code	no	Wt/g	Fabric date range
Early medieval sandy grey wares (general)	13	2	29	10/11-E13C
Medieval sandy grey wares (general)	20	3	22	12-14C
Colchester-type ware	21A	1	3	13/14-15/16C

Table 21 Medieval pottery by fabric

Sherds of Fabric 13 were recovered from the fill of two Roman graves (HF383 & HF481), sherds of Fabric 20 come from a ditch (HF399 (sx 2)) and a modern service run (HF451) and a sherd of Fabric 21A came from pit fill (HF8).

6.2 Small finds, bulk metalwork and glass vessels by Nina Crummy

The assemblage chiefly consists of items either deliberately deposited in funerary features as grave goods or residual in their backfill. Some objects were also recovered from non-funerary Romano-British and post-medieval contexts. The material is catalogued below by context type as appropriate.

Only the nails from cremations and pyre debris pits are listed and discussed here; inhumation coffin nails have not been examined (except where they were not originally identified as a coffin nail and given a small find number). Unless stated otherwise, all the nails are of Manning's Type 1b (1985, 134), less than 150mm in length and with a round, oval or sub-rectangular flat or slightly convex head. They are incomplete unless stated otherwise.

Funerary Contexts

Cremations, pyre debris pits, bustum

The deposits from the cremations, pyre debris pits and *bustum* are summarised in Table 22. Iron hobnails and nails form the bulk of the deposits from these features. Hobnails, used on sandals and shoes as well as boots, represent leather footwear that was probably worn by the deceased on the pyre, although in some cases unnailed shoes or sandals may have been

worn and an extra nailed pair added to the pyre deposits. Most of the nails probably derive from timber used to construct the pyres, although a few may have come from nailed furniture. Small nails that probably came from small boxes or chests used to store jewellery, clothing or other personalia were recovered from pyre debris pit HF35 and bustum HF188. The majority of the nails are charred and have a sluggy surface, some have fragments of charred bone attached, others have corroded internally so that the shank is now hollow, and most are encrusted with sandy soil embedded in the corrosion; measurements taken from these nails are in many cases only estimates. A few nails appear to be remarkably uncorroded, a feature occasionally seen in pyre debris from funerary features in Colchester; where broken across the shank, these nails may also be internally hollow.

Lamps in HF29, HF139 and HF202 represent a light provided to guide the soul of the deceased to the underworld, a ritual development from their more prosaic use as household equipment (Eckardt 2002, 109-15). The fragments of picture lamps in HF139 and HF202 date to the Claudian-Neronian, while the factory lamp in HF29 dates to the later 1st or 2nd century, perhaps running into the 3rd century. Glass vessels were present in HF40, HF92, HF41/HF107, HF112, HF139, HF159, HF188 and HF195. In some cases they were represented only by small fragments and could not be identified, but unguent bottles, almost certainly used in the burial rite, lay in HF188 and HF195, and also possibly in HF92 and HF139. Coins used as the ferryman's fee came from pyre debris pits HF38 and HF380, neither appeared to have been burnt or even scorched and would have been added to the pyre debris to guarantee access to the underworld (Crummy 2010, 69). The coin in HF38 is a barbarous radiate broadly dating to c. 270-94 and unlikely to have remained in circulation after that period. That in HF380 is a *denarius* of Severus Alexander dating to AD 233-5 and may have remained in circulation to be deposited some decades after the 230s.

Deposits of household furniture consist of fragments from wooden boxes in pyre debris pits HF32, HF35, and HF52, cremation HF139 and *bustum* HF188, and fragments of bone cladding from an iron furniture leg from pyre debris pit HF215. Personal equipment came from two cremations. HF83 held an iron knife tang and bone counter; the tang had textile remains on one face suggesting that it had rested on the clothing of the corpse. With an integral semicircular suspension loop, it probably dates to the second half of the 1st century or the early 2nd. From cremation HF283 came fragments from a bone bead or beads, part of a copper-alloy chain (perhaps a necklace), and perhaps part of a finger-ring, as well as three pellets of Egyptian blue frit that had clearly been burnt on the pyre with the corpse. Like the knife in HF83, the bone bead(s) probably date to the second half of the 1st century or the early 2nd, but no direct parallel has been found and the burial may be later.

HF283 can be identified as a female burial, but no other features can be assigned a gender with absolute confidence.

Feature	Type	Nails	Hob-nails	Other ironwork	Coin	Glass vessel	Ceramic lamp	Other burial deposit
HF4	unurned cremation	x(1)	-	-	-	-	-	-
HF29	pyre debris pit	x	x	-	-	-	1	-
HF30	pyre debris pit	x(1)	-	-	-	-	-	-
HF32	pyre debris pit	-	-	-	-	-	-	?wooden box (strip; sheet)
HF35	pyre debris pit	-	x	-	-	-	-	?wooden box (thin nail)
HF37	pyre debris pit	-	x(1)	-	-	-	-	-
HF38	pyre debris pit	x	x(1)	-	1	-	-	-
HF40	pyre debris pit	-	-	-	-	1	-	-
HF45	pyre debris pit	x	-	-	-	-	-	-
HF47	pyre debris pit	x	x	-	-	-	-	-

HF52	pyre debris pit	x	-	-	-	-	-	-	?wooden box (strip)
HF72	urned cremation	-	x	-	-	-	-	-	-
HF83	urned cremation	x	x	knife	-	-	-	-	counter
HF85	pyre debris pit	x(1)	-	-	-	-	-	-	-
HF86	pyre debris pit	x(1)	-	-	-	-	-	-	-
HF90	pyre debris pit	x	-	-	-	-	-	-	-
HF92	pyre debris pit	x	x(1)	-	-	1	-	-	-
HF99 / HF100	inhumation / pyre debris pit	x(1)	-	-	-	-	-	-	-
HF102	pyre debris pit	-	x(1)	-	-	-	-	-	-
HF107	pyre debris pit	x(1)	x	-	-	1	-	-	- (also numbered HF41)
HF110	pyre debris pit	x(1)	-	-	-	-	-	-	-
HF111	pyre debris pit	-	x	-	-	-	-	-	-
HF112	pyre debris pit	x	-	-	-	1	-	-	-
HF113	pyre debris pit	-	x	-	-	-	-	-	-
HF121	pyre debris pit	-	x(1)	-	-	-	-	-	-
HF139	urned cremation	x	-	-	-	1	1	-	wooden box (lock, hinge stop)
HF141	urned cremation	-	X(1+?)	-	-	-	-	-	-
HF150	urned cremation	x(1)	-	-	-	-	-	-	-
HF153	pyre debris pit	x	-	-	-	-	-	-	-
HF159	urned cremation	x	-	-	-	1	-	-	-
HF180	urned cremation	-	x(1)	-	-	-	-	-	-
HF188	<i>bustum</i>	-	-	-	-	3	-	-	wooden box (lock, ring-handles, studs, nail)
HF190B	urned cremation	x(1)	x	-	-	-	-	-	-
HF195	pyre debris pit	-	-	-	-	1(+?)	-	-	-
HF202	possible burial feature	-	-	-	-	-	1	-	-
HF209	urned cremation	-	x(1)	-	-	-	-	-	-
HF215	pyre debris pit	-	-	-	-	-	-	-	furniture cladding
HF283	urned cremation	x	x	-	-	-	-	-	bead; chain; ?finger-ring; frit pellets
HF286	possible burial feature	x(1)	-	-	-	-	-	-	-
HF354	urned cremation	x(1)	-	-	-	-	-	-	-
HF356	urned cremation	x(1)	-	-	-	-	-	-	-
HF372	pyre debris pit	-	x(1)	-	-	-	-	-	-
HF379	pyre debris pit	x	x(1)	-	-	-	-	-	-
HF380	urned cremation	-	-	-	1	-	-	-	-
HF389	urned cremation	x	-	-	-	-	-	-	-
HF429	urned cremation	-	-	-	-	-	-	-	lump (nail or hobnails)
HF632	pyre debris pit	x(1)	-	-	-	-	-	-	-

Table 22 Objects in pyre debris pits and cremation burials. Nails and other ironwork from boxes are listed in the final column, 'Other burial deposit'. Single nails or hobnails from pyre debris pits are entered as x(1).

Cremation HF4

A single iron nail, 28mm long, is probably too thick to be from a wooden box or small chest.

HF4.2 H(6). Complete iron nail. Length 28mm.

Pyre debris pit HF29

HF29 contained iron hobnails from nailed leather footwear, iron nails and a factory lamp of Loeschcke Type IXb (1919, pl. 1). Over-use of the mould for the lamp, or perhaps the repeated manufacture of new moulds from old lamps, has resulted in the lugs on its shoulder and the disc design above the filling-hole being reduced to raised bosses (Eckardt 2002, 199). This debased form dates the lamp to the late 1st or 2nd century, perhaps even slightly later. Several of the nails are complete; they range in length from 79 to 43mm.

HF29.1 H(59), SF160. Fig 74. Burnt ceramic factory lamp of Loeschcke Type IXb, missing most of the nozzle; fabric originally red or orange-red. Length 73mm, body height 22mm, height with handle 3mm.

HF29.3 H(58). Three-four iron hobnails. B) **SF14**. Length 17mm. D) **SF16**. Length 11mm. E) **SF17**. With human bone attached, length 15mm. C) **SF15**. Amorphous lump, probably originally a hobnail, 17 by 12 by 9mm.

HF29.4 H(57). Eighteen nails and nail shaft fragments. A) Shaft fragment, length 52mm. B) Length 38mm. C) Complete, length 56mm. D) Complete, length 61mm. E) Length 35mm. F) Complete, length 43mm. G) Three nails, two complete, lengths 54, 46 and 35mm. H) Complete, length 55mm. I) Length 54mm. J) Shaft fragment, length 35mm. K) Complete, length 57mm. L) Length 40mm. M) Length 41mm. N) Complete, length 54mm. O) Complete, length 57mm. P) Complete, length 79mm.

HF29.5 H(58), SF 13. Burnt iron nail shank fragment, length 19mm.

Pyre debris pit HF30

HF30.2 H(62). Complete iron nail. Length 38mm.

Pyre debris pit HF32

A burnt iron strip fragment and a small fragment of copper-alloy sheet may derive from a wooden box or chest.

HF32.2 H(75), SF5. Burnt copper-alloy sheet fragment, encrusted with charred soil. 19 by 14mm.

HF32.3 H(74), SF6. Burnt iron plate or strip fragment with a stud head *in situ*. 35 by 33mm.

Pyre debris pit HF35

Iron hobnails from nailed leather footwear and one iron nail were deposited in HF35. At 33mm in length and with a thin shank, the nail is almost certainly from a box or small chest.

HF35.2 H(79). Thirteen hobnails. A) Length 20mm. B) Length 18mm. B) Length 21mm. E) Length 17mm. F) Length 16mm. G) Length 17mm. I) Length 14mm. J) Length 18mm. Ki) Two, lengths 18 and 21mm. L) Length 18mm. M) Length 19mm. N) Length 21mm. O) Length 18mm.

HF35.3 H(79). D) Thin nail, complete, length 33mm.

HF35.4 H(79). H) Amorphous iron lump, 25 by 21 by 18mm. Kii) Amorphous iron lump with flint grit embedded in the corrosion, 18 by 18 by 18mm.

Pyre debris pit HF37

HF37.2 H(84), SF106. Burnt iron hobnail, length 17mm.

Pyre debris pit HF38

HF38 contained two iron nails (both complete and much the same length at 47 and 45mm), one hobnail and a worn barbarous radiate coin dated to the late 3rd century.

HF38.2 H(25), SF2. Copper-alloy barbarous radiate *antoninianus*, AD 270-94. Obverse: -/C TETRICVS /-, radiate and draped bust right. Reverse: worn smooth. Diameter 17mm; weight 1.73g.

HF38.3 H(82). Iron hobnail, head broken, length 17mm.

HF38.4 H(82). Two complete iron nails, lengths 47 and 45mm.

Pyre debris pit HF40

HF40.1 H(40). Scorched fragment from the concave base of a blue-green glass vessel. 28 by 19mm; thickness 2.5-4mm.

Pyre debris pit HF41/HF107

HF107 contained hobnails, a single nail and a piece of glass, presumably from a vessel, that has melted, run and refrozen as an amorphous puddle. A fragment of iron tap slag with broken edges from the feature is residual.

HF41.3 H(210a), SF154. Burnt iron hobnails or hobnail fragments. A) One or two, length 16mm. B) One or two, length 10mm. C) Two, heads only. D) Amorphous fragment, ?hobnail, length 18mm.

HF41.4 H(210e). Incomplete iron nail, length 14mm.

HF41.5 H(216). Amorphous puddle of green glass with soil adhering. 35 by 16 by 9mm; weight 5g.

HF41.6 H(218). Iron tap slag fragment, with broken edges. Weight 65.4g.

Pyre debris pit HF45

Of two nails from HF45, one was complete; although short at 27mm, it is probably too thick to be from a small box.

HF45.2 H(98). Two iron nails, one complete, lengths 27 and 21mm.

Pyre debris pit HF47

HF47 contained iron hobnails and nails. None of the nails were complete.

HF47.2 H(89). Six iron hobnails or hobnail shanks. A) Length 11mm. G) Length 17mm. H) Length 14mm. J) Length 20mm. M) Length 21mm. N) Shank only, length 17mm. P) Length 18mm. T) Length 14mm.

HF47.3 H(89). Iron nails or nail shank fragments. B) Length 22mm. D) Head only, diameter 11mm. E) Shaft fragment, length 17mm. L) Shaft fragment, length 26mm. O) Length 42mm. R) Shaft fragment, length 20mm. S) Shaft fragment, length 20mm.

HF47.4 H(89). Four amorphous iron lumps are fragments of either hobnails or nails. F) 13 by 10 by 10mm. I) 13 by 12 by 10mm. K) 15 by 14 by 12mm. Q) 16 by 14 by 13mm.

Pyre debris pit HF52

A right-angled iron strip from HF52 may be a box fitting. The only other objects in the feature were iron nails.

HF52.2 H(117), SF7. Thin iron strip with a broken return at one end. There is a round rivet or stud hole in the centre and one in each corner at the unbent end, a shank fragment remains *in situ* in one. 36 by 28mm; length of return 10mm.

HF52.3 H(116). Three incomplete iron nails and three clenched nail shank fragments. Lengths 35, 23 and 22mm, 40 (bent), 31 (bent) and 30 (bent)mm.

Cremation HF72

HF72.2 H(137). Two iron hobnails, lengths 20 and 14 mm.

Cremation HF83

All the items from this burial are burnt primary deposits. They consist of a knife tang with associated carbonised textile, hobnails from nailed leather footwear, a bone board game

counter, and some nails that probably derive from wood used to build the pyre. The long flat tang has an integral semicircular suspension loop, as on Manning's Types 1 and 7, both of which date to the second half of the 1st or early 2nd century (1985, 108, 112, pl. 53). It has a small area of two layers of textile on one face, but no trace of a bone, antler or copper-alloy handle survives.

HF83.2 H(169), SF177. Fig 18. Burnt knife tang with integral semicircular suspension loop. There are fragments of textile on one face. Length 80mm, width 11mm.

HF83.3 H(169), SF167. Fig 18. Burnt and distorted Type 2 bone counter, with concentric grooves and a lathe-centre mark on the upper face (Crummy 1983, 91). Diameter 19mm, thickness 2mm.

HF83.4 H(169). Burnt iron hobnails and hobnail fragments. **SF170**) Three, lengths 8, 14 and 15mm. **SF173**) One, length 11mm. **SF174**) Three, lengths 9, 12 and 13mm. **SF175**) Two, lengths 5 and 13mm. **SF176a**) Three, lengths 14, 15 and 16mm. **SF178**) Two, lengths 14 and 16mm.

HF83.5 H(169). Burnt iron nails and nail shank fragments. **SF171**) Four, lengths 21 (clenched), 35 (with bone attached), 37 and 54 (with bone attached) mm. **SF172**) One, length 9mm. **SF176b**) One, length 21mm.

Pyre debris pit HF85

HF85.1 H(158). Complete iron nail, length 52mm.

Pyre debris pit HF86

HF86.1 H(165). Complete iron nail, length 50mm.

Pyre debris pit HF90

Only iron nails came from HF90; complete examples ranged in length from 72-36mm. A medieval copper-alloy hooked tag recorded from this feature is intrusive.

HF90.2 H(182). Sixteen iron nails and nail shank fragments. a) Six complete, lengths 72, 64, 54, 42, 39 and 36 (clenched) mm. b) Four incomplete (one clenched), lengths 62, 36, 35 (bent) and 34mm. c) One incomplete with the head of another adhering to it at an angle, length 20mm. d) Four shank fragments, lengths 41, 40, 36 and 21mm.

Intrusive

H(195), SF 11. Copper-alloy hooked tag with decoratively cut top and two large holes for attachment. The tip of the hook is missing. Length 23mm, maximum width 10mm.

Pyre debris pit HF92

A small fragment from a glass vessel, probably an unguent bottle, one iron hobnail and ten nails or nail fragments came from HF92. Complete nails ranged in length from 86 to 52mm.

HF92.2 H(172). Slightly scorched thin pale blue/green glass tubular fragment, probably from an unguent bottle. Height 18mm, maximum surviving diameter 22mm.

HF92.3 H(164). D) Iron hobnail, length 16mm.

HF92.4 H(164). Eight iron nails or nail shank fragments. A) Complete, length 59mm. B) Length 31mm. C) Shank fragment, length 18mm. E) Length 36mm. F) Length 48mm. G) Complete, length 86mm. H) Two complete nails corroded together at an angle, heads close, lengths 63 and 52mm.

HF92.5 H(164), SF19. Iron nail, tip clenched. Length 38mm.

HF92.6 H(177). Iron nail shaft fragment, length 36mm.

HF99 (inhumation)/HF100 (pyre debris pit)

A short clenched nail from either inhumation HF99 or pyre debris pit HF100 is rather short for a coffin nail and more like to come from HF100.

HF99.2 H(189). Complete clenched iron nail. Length (bent) 30mm.

Pyre debris pit HF102

HF102.2 H(193). Iron hobnail, length 19mm.

Pyre debris pit HF110

HF110.2 H(207). Complete iron nail, length 52mm.

Pyre debris pit HF111

HF111.2 H(214). Two iron hobnails, lengths 18 and 17mm.

Pyre debris pit HF112

Two scorched glass vessel sherds, almost certainly from the same vessel, and several nails came from HF112. The complete nails varied in length from 57 to 36mm.

HF112.2 H(225). Two scorched blue/green glass vessel fragments. a) Curved along one edge, probably a wall/base junction sherd, 30 by 25mm. b) Distorted, 20 by 10mm.

HF112.3 H(223), SF24. Five iron nails, Lengths 57, 55, 36, 34 and 32 (clenched) mm.

HF112.4 H(223). Sixteen iron nails and shank fragments. Complete, lengths 51, 46, 40, 38, 37 and 36mm; incomplete, lengths 42, 25, 24 (x 2) and 23mm; shank fragments, lengths 38, 33, 28, 22 and 20mm.

Pyre debris pit HF113

HF113.2 H(238). Two iron hobnails, lengths 20 and 16mm.

Pyre debris pit HF121

HF121.2 H(255), SF 35. Iron hobnail. Length 13mm.

Cremation HF139

All the items from HF139 are burnt primary deposits. Part of a picture lamp (discus missing) from HF139 is of pre-Boudican date, and an amorphous puddle of glass may come from a tubular unguent bottle of the same date. Other objects from the feature consist of what may be part of a lock, several amorphous copper-alloy fragments and small pellets, part of a burnt disc that may be from a composite bone and wooden hinge, and one nail. The lock and bone disc fragments probably derive from a wooden box burnt on the pyre. Some of the copper-alloy fragments may come from a loop-in-loop chain. Table 21 does not record the nail as the only one from the burial as others were planned on site but were not submitted for examination.

HF139.3 H(379). Puddle of melted blue-green glass with burnt human bone and grit adhering One end is straight but angled and the other bulbous; probably from a tubular unguent bottle. 66 by 40 by 10mm; weight 23.5g.

HF139.4 H(371), SF39. Shattered fragments from the lower half of a ceramic lamp of Loeschcke Type 1 with angular voluted nozzle (1919, pl. 1). Fabric orange-red, of pre-Boudican local manufacture (Eckardt 2002, 75-86). Total weight (unwashed to protect any residues) 14.5 g.

HF139.5 H(372), SF46a. Strip of thin iron sheet with some melted copper-alloy on one surface; probably part of a box lock plate or internal lock mechanism. Length 36mm, maximum width 13mm.

HF139.6 H(373), SF41. Distorted copper-alloy fragments, possibly fused loop-in-loop chain fragments. a) 24 by 17 by 11mm; b) Length 21mm, 4.5mm square section. c) Pellet, 5mm in diameter.

HF139.7 H(374), SF40. Amorphous copper-alloy pellet. 7 by 8 by 3mm; weight 0.59g.

HF139.8 H(375), SF43. Amorphous copper-alloy fragment. 21 by 12 by 7mm.

HF139.9 H(376), SF42. Amorphous copper-alloy pellet. Diameter 5-9mm.

HF139.10 H(377), SF44. Amorphous copper-alloy fragment. 11 by 5 by 5mm.

HF139.11 H(378), SF45. Two amorphous copper-alloy fragments. 18 by 11 by 7mm; 8 by 5 by 4mm.

HF139.12 H(-), SF181. Small fragment from the rim of a burnt bone plano-convex disc with pairs of concentric circles incised on the upper face. Too small to be from a *pyxis* lid, this is probably the stop from the terminal of a composite bone and wooden hinge (Mikler 1997, Taf. 55, 29-30). Diameter approx. 18mm, thickness 2.25mm.

Cremation HF141

A lump of burnt iron and bone incorporating at least one hobnail represents a primary deposit of nailed footwear in HF141, almost certainly worn by the deceased.

HF141.2 H(312), SF190. Fused amorphous lump of burnt iron and cremated human bone; includes a hobnail, length 11mm. Weight 4.2g.

Cremation HF150

HF150.2 H(327). Iron nail shank fragment, length 24mm.

Pyre debris pit HF153

HF153.1 H(335). Three incomplete nails, lengths 57 (x 2) and 19mm.

Cremation HF159

A primary deposit of a glass vessel in this burial is represented only by a refrozen puddle of glass. Of six iron nails, three are complete and range in length from 48 to 47mm.

HF159.2 H(339). Amorphous puddle of melted blue-green glass with traces of burnt human bone and soil adhering to it. 31 by 18 by 5mm; weight 2g.

HF159.3 H(340). Six iron nails. Three complete, burnt, lengths 48, 40 and 37 (clenched) mm; three incomplete, lengths 41, 39 and 12mm.

Cremation HF180

A single burnt hobnail from HF180 represents a primary deposit of nailed leather footwear.

HF180.3 H(407), SF183. Iron hobnail with fragments of cremated human bone attached. Length 19mm.

Bustum HF188

In the *bustum* three unguent bottles (Fig 31, HF188.6-8) were found lying together on their sides at the southern end of the feature, mainly within, but in one case slightly overlaying, the footprint of a burnt box. None of the bottles has been burnt, making them secondary deposits. All have a stained sandy deposit in places on the inner wall, in each case concentrated on the side that lay downwards. The deposit represents the remains of the original contents. All three vessels are of blue-green glass, of truncated conical form with a comparatively narrow body, and all have an asymmetric rim to aid pouring out the contents. Examples date chiefly from the later 1st century into the middle of the 2nd (Cool and Price 1995, 161-2, figs 13.2-3; Cool 2008, 83-4).

The bottles lay on top of the remains of a burnt wooden box with metal fittings. Staining from the wood covered an area of approximately 410 by 355mm, with the remains of the lock-plate lying at the centre of the long side. These dimensions are rather larger than other boxes of this type, many of which are about 300 by 240mm in plan and 150mm high (Borrill 1981, 304), but allowing for some outward collapse of the boards the proportions are much the same, with the depth (front to back) being about 80% of the width (across the front). All that remains of the lock mechanism are a copper-alloy lock-bolt (Fig 31, HF188.11) and several fragments of copper-alloy sheet from the lock-plate, some with traces of iron on one side and one with a small catch and rivet (HF188.9-10), and a narrow iron strip encased in mineral-replaced wood (HF188.14). The lock-plate, and possibly other pieces of sheet cladding, had been attached to the box by convex copper-alloy studs (Fig 31, HF188.12; not illustrated HF188.13-15), which may also have been used to attach a leather covering to the box (Riha 2001, 52). Four thin box-rings that had been attached to the box by iron split-spike loops also survive (Fig 31, HF188.16; not illustrated, HF188.17-18a-c). A single thin iron nail head (HF188.18d) may

point to the box's boards being nailed together rather than jointed, or, as an alternative to the copper-alloy studs, small iron nails may have been used to attached a leather covering. Nothing remains of the box's contents, which were probably clothes or other organic items.

The rings and studs of this box are plain compared to those on many other mid 1st to 2nd century examples (e.g. Borrill 1981; Saunders 1985; Riha 2001), and it may date to late in the range set by the unguent bottles.

HF188.6 H(451), Fig 31. Blue/green glass truncated conical unguent bottle. Unburnt, complete and intact apart from a group of chips at one point on the rim. The glass has a few bubbles and two very marked vertical spirals. There are tooling marks on the out-turned asymmetrical rim and at the base of the long neck. The conical body is rounded at the junction with the slightly concave base, which bears an off-centre pontil scar. There are streaks of a stained sandy deposit on part of the inner wall. Height 97mm; height of body 33mm; rim diameter 23-26mm; maximum diameter of body 30mm; base diameter approx. 22mm; pontil scar 13-15mm.

HF188.7 H(452), Fig 31. Blue/green glass truncated conical unguent bottle. Unburnt, complete apart from the rim, only a small part of which survives. The glass has many bubbles, some elongated, and one very large slightly yellowish bubble on the body that has been flattened but retains slanting air-pockets that give it a wrinkled appearance. There are tooling marks on the out-turned rim and at the base of the long neck. The conical body is rounded at the junction with the concave base. There is no pontil scar. There are streaks of a stained sandy deposit on part of the inner wall. Height 85mm; height of body 29mm; rim diameter 16mm approx.; maximum diameter of body 21mm; base diameter approx. 19mm.

HF188.8 H(453), Fig 31. Blue/green glass truncated conical unguent bottle. Unburnt, complete and intact. The glass has many bubbles, some elongated and several large. There are tooling marks on the out-turned asymmetrical rim and at the base of the long neck. The conical body is rounded at the junction with the flat base, which is wholly covered by a pontil scar. There are streaks of a stained sandy deposit on part of the inner wall. Height 71mm; height of body 25mm; rim diameter 14-15mm; maximum diameter of body 20mm; base diameter approx. 11mm.

HF188.9 H(438), SF51. Found halfway along the eastern long edge of the wood stain. Seven non-fitting fragments of thin copper-alloy sheet from a lock-plate, some with traces of iron on one face. 37 by 24mm, 27 by 18mm, 27 by 16mm, 17 by 10mm, 14 by 9mm, 10 by 5mm, 6 by 7mm.

HF188.10 H(466), SF65. Found near HF188.9. Six fragments, and three tiny flakes, of thin copper-alloy sheet from the lock-plate, two with traces of iron on one face, and one with a small catch on one side and traces of iron around a short rivet on the other. 21 by 18mm, 15 by 14mm (with 19mm long catch), 15 by 10mm, 14 by 11mm, 10 by 8mm, 9 by 6mm.

HF188.11 H(449), SF53, Fig 31. Found near HF188.9. Copper-alloy lock-bolt from a tumbler lock, with slight traces of iron on each face. Length 49mm, width 9mm, thickness 5mm.

HF188.12 H(464), SF63, Fig 31. Found on east side. Copper-alloy convex-headed stud with square-section shank. Diameter 15mm, length 12mm.

HF188.13 H(465), SF64. Found towards south side. Damaged copper-alloy stud as HF188.12; scorched. Diameter >11mm, length 14mm.

HF188.14 H(439), SF52. Narrow iron strip fragment encased in mineral-replaced wood and with traces of convex copper-alloy sheet (possibly a stud as HF188.12 and HF188.13 above) one one face. Length 16mm.

HF188.15 H(467), SF191a. From sample S<56>. a) Copper-alloy stud as HF188.12. Diameter 14mm, length 15mm. b) Small fragments of copper-alloy sheeting, largest 11 by 10mm (bent).

HF188.16 H(437), SF50. Fig 31. Copper-alloy lozenge-section box ring with part of an iron split-spike loop attached, the spike covered with mineral-preserved wood. Diameter 21mm, height 1.5mm, width 1mm.

HF188.17 H(450), SF54. Fragment of copper-alloy box ring as HF188.16, also with part of its iron split-spike loop attached; scorched. Diameter 22mm, height 2mm, width 1mm; length of spike 15mm.

HF188.18 H(467), SF191b. From sample S<56>. a) Copper-alloy box ring as HF188.16, with part of the loop of an iron split-spike loop attached. Diameter 21mm, height 2mm, width 1mm. b) Fragment of a copper-alloy box ring as SF 50, with part of an iron spit-spike loop attached, covered with mineral-preserved wood; scorched. Diameter 21mm, height 2mm, width 1mm; length of spike 16mm. c) Spike from an iron split-spike loop, covered with mineral-preserved wood. Length 19mm. d) Thin burnt iron nail or stud head. Diameter 10mm.

Cremation HF190B

A primary deposit of nailed leather footwear is represented in HF190B by at least five burnt hobnails. A nail fragment is also burnt.

HF190B.2 H(486), SF180. Minimum of five iron hobnails, longest 13mm.

HF190B.3 H(455), SF187. Iron nail fragment, length 10mm.

Pyre debris pit HF195

HF195 only contained a fragment of a glass unguent bottle and a refrozen drip of glass, probably from the same vessel, a primary deposit.

HF195.1 H(79). Melted and distorted rim and part of the neck of a blue-green glass unguent bottle. The glass has a few bubbles. The rim is out-turned. Height 54mm; rim now 34mm wide.

HF195.2 H(515). Amorphous drip of blue-green melted glass, probably from unguent bottle H(79). 23 by 18 by 9mm; weight 3g.

Possible burial feature HF202

A picture lamp sherd in HF202 has a rosette on the discus. It probably comes from a Loeschcke Type IV lamp with rounded volutes (1919, pl. 1). In Britain the form dates broadly from the mid to late 1st century (Eckardt 2002, 380), but those from primary contexts in Colchester are of Claudian-Neronian date.

HF202.2 H(501), SF144. Ceramic lamp shoulder/discus sherd with rosette motif on the discus and narrowing to a volute; probably Loeschcke Type IV (1919, pl. 1). Fabric buff, with traces of dark slip. Diameter approx. 62mm; weight 2.71g.

Cremation HF209

HF209.4 H(527), SF188. Iron hobnail, most of shank missing, length 4mm.

Pyre debris pit HF215

Fragments of bone cladding from an iron furniture leg deposited in HF215 point to the feature being associated with a high status cremation.

HF215.2 H(538), SF179. Fig 74. Fragments, some fitting, from a burnt bone cylinder used as furniture cladding (Mikler 1997, Taf. 57, 3-4, Taf. 61. 2-5; Eckardt 1999, fig. 8, 4). Diameter (distorted) approx. 30mm, surviving length 31mm.

Cremation HF283

All the items in HF283 are burnt or scorched primary deposits, most of them dress accessories that would have been worn by the deceased on the pyre. The stylistic associations of an unusual bone gadrooned bead (Fig 39, HF283.2) from the burial rank it with glass and frit melon beads of the second half of the 1st or very early 2nd century, a date that matches that of a spirally gadrooned bead from Nida-Hedderheim, Germany (Obmann 1997, catalogue no. 1882, Taf. 45). One fragment of the bead was found with a copper-alloy

chain (Fig 39, HF283.3), on which it may have been suspended. A fragment of a narrow copper-alloy strip is probably all that remains of a finger-ring (Fig 39, HF283.4), and some hobnails represent nailed footwear.

Also found in the same context as the bone bead and chain were three burnt pellets of Egyptian blue frit (Fig 39, HF283.5), one with cremated human bone attached. Nodules of Egyptian blue were ground up and used as a pigment in wall painting; first manufactured in Alexandria, by the 1st century BC there was a factory at Puteoli (Davidovits 2007; Ling 1991, 208-9). The context of the three pellets in HF283, a burial that otherwise contained only nails and dress accessories, raises the possibility that they may be burnt and collapsed frit melon beads, but comparison with a large group of burnt beads from a manufactory in the naval base at Cologne, Germany, does not support this suggestion. The Cologne deposit did contain several examples that had been so intensively burnt that they no longer bore any sign of gadroons on the surface, but all retained the central perforation (Höpken 2003, 359-60).

HF283.2 H(577)/(586), SF71/168. Fig 39. Fragments of a burnt bone gadrooned bead (or possibly two beads), similar to glass and frit melon beads. On each piece one end is wider than the other, but they are distorted by the heat. Diameter (distorted) 20-40mm, length 20mm. No exact parallel in bone is known for this item, but an unstratified 30mm diameter bone melon bead from Nida-Heddenheim, Germany, has spiralled gadroons (Obmann 1997, Taf. 45, 1882).

HF283.3 H(586), SF169. Fig 39. Fragments of a poorly-preserved (?burnt) copper-alloy chain with links formed by doubled-over strips pierced at each terminal to form wide holes, much like a folded elongated figure-of-eight. Link length 8mm, chain length >61mm.

HF283.4 H(580), SF72. Fig 39. Narrow copper-alloy rectangular-section strip fragment, probably from a finger-ring. Length 8mm, width 2mm, thickness <0.25mm.

HF283.5 H(586), SF189. Fig 39. Three burnt pellets of Egyptian blue frit. a) Maximum diameter 23mm; weight 4.51g. b) Damaged; maximum diameter 22mm; weight 2.76g. c) With human bone attached; maximum diameter 21mm; weight 4.12g.

HF283.6 H(581), SF74. Iron hobnail. Length 11mm. H(579). B) Cluster of three iron hobnails, lengths 23 and 20 (x 2)mm.

HF283.7 H(576). Twelve iron nails and shank fragments. Complete, lengths 65, 44 and 37mm; incomplete, lengths 26 (burnt), 20 (burnt), 17 and 15mm; shank fragments, lengths 38, 29, 26, 15 and 12mm. **H(579).** Five iron nails and shank fragments. A) Length 30mm. D) Shank fragment, length 23mm. E) Shank fragment, length 20mm. F) Length 36mm. G) Complete, length 47mm.

Possible burial feature HF286

HF286.2 H(596). Iron nail shank fragment, length 28mm.

Cremation HF354

A slightly curved shank from a large nail or other structural fitting came from HF354.

HF354.4 H(712), SF100. Iron nail shank. Length 110mm.

Cremation HF356

HF356.2 H(717), SF90. Burnt iron nail, length 40mm.

Pyre debris pit HF372

A single hobnail came from HF372, representing a primary deposit of nailed leather footwear.

HF372.2 H(729). Iron hobnail, length 21mm.

Pyre debris pit HF379

HF379 contained a single hobnail and several nails. Two of the latter were complete, with lengths of 41 and 24mm.

HF379.2 H(736). Iron hobnail, length 15mm.

HF379.3 H(734). Four iron nails. a) **SF94.** Length 48mm. b) **SF95.** Clenched, length (bent) 46mm. c) **SF96.** Length 51mm. d) **SF97.** Shank fragment, length 36mm.

HF379.4 H(734). Four iron nails and shank fragments. A) Length 35mm. C) Complete, length 24mm. D) Shank fragment, length 23mm. H) Complete, length 41mm.

Cremation HF380

Showing no sign of burning or scorching, a *denarius* of Severus Alexander, dated to AD 233-5, is a secondary deposit.

HF380.1 H(645), SF84. Silver *denarius* of Severus Alexander, AD 233-5, *RIC* 160. Obverse: [IMP] C M AVR SEV AL[EXAND] AVG, emperor laureate, draped, bust right. Reverse: MARTI PA-CIFERO, Mars standing front, head left, holding branch in right hand, spear in left. Diameter 19mm; weight 2.3g.

Cremation HF389

HF389.3 H(671). Two incomplete iron nails, lengths 43 and 38mm.

Cremation HF429

An amorphous lump in HF429 may be all that remains of either a nail or a cluster of hobnails.

HF429.2 H(768). Amorphous iron lump, 35 by 33 by 27mm.

Pyre debris pit HF632

HF632.2 H(956). Iron nail, length 16mm.

Inhumations

Many of the objects found in the inhumations were coffin nails, burnt items residual from earlier cremations, or residual items from the surrounding soil used to backfill the graves, therefore, although all the objects have been catalogued, only those items that were deliberately deposited as grave goods are listed in Table 23. Coffin nails or other fittings are not listed.

Hobnails from nailed footwear were present in eighteen inhumations, but very few were present in HF596 and these may be residual. In nine of the seventeen certain deposits the footwear had been worn at the time of burial, in six it had not been worn, and in three the human bone was not sufficiently well-preserved to allow this to be determined.

Copper-alloy coins that were, or may have been, used as the ferryman's fee were present in six burials, but only in HF183 and probably HF194 is it reasonably certain that the deposits had originally been placed in the mouth or on an eye. No skeletal material remained in HF337, and the three coins present in the burial may have been in a purse placed near either the head or feet rather than on the corpse. In three cases there is some doubt that the coins were deliberate deposits: that in HF126 lay by the left knee, and those in HF143 and HF517 on or towards the foot end corner of the coffin; a second coin in HF517 was not planned and may be residual. In HF194 the coin was of Vespasian (AD 69-79), and in HF126, HF143, HF183, HF337 they were 2nd-century. The substantial 2nd-century *aes* coins survived in circulation into the later 3rd or early 4th century and were therefore available for use as grave deposits until that time (Davies and Gregory 1991, 67-8; Reece 2002, 42-4), so at least some of these Area H burials may well be of 3rd-century date. Of the two coins in HF517 the one at the foot end of the coffin was of Vespasian, but the second unplanned coin was a worn issue of Commodus (AD 180-92), which either as a deposit or as a residual item in the backfill dates the grave to the very late or more likely the 3rd century; it is therefore less likely, although not impossible (Crummy 2010, 72-3) that the Vespasianic coin was a deliberate deposit.

Feature	Armlets	Nailed footwear	Coin(s)	Other burial deposit (not including pottery)
HF126	-	x (worn)	1	-
HF143	-	x (worn)	1	finger-ring (worn)
HF161	-	x (?worn)	-	-
HF177	-	x (worn)	-	-
HF183	-	-	1	-
HF193	-	x (not worn)	-	-
HF194	-	-	1	-
HF197	-	x?x (not worn)	-	-
HF300	-	x (?worn)	-	-
HF337	-	-	3	-
HF394	-	x (?worn)	-	mirror (? on coffin lid)
HF452	-	x (not worn)	-	-
HF464	-	x (not worn)	-	-
HF468(1)	7	-	-	jet pendant
HF468(2)	1	-	-	-
HF469	-	x (worn)	-	-
HF481	-	-	-	glass vessel
HF492	-	x (worn)	-	-
HF517	-	x (not worn)	1 or 2	finger-ring
HF549	-	X (worn) (lost so no report below)	-	-
HF556	-	-	-	knife, bell
HF560	1	-	-	-
HF579	-	-	-	pewter vessel, copper-alloy bell, cup and ?pyxis lid, glass disc, lead pulley spools, iron and copper-alloy lock, keys, reaping-hook, shears, pot-hook and other ironwork (most possibly in a wooden box).
HF596	-	?	-	-
HF639	-	x (worn)	-	-
HF641	-	x (worn)	-	-
HF646	-	x (not worn)	-	copper-alloy fragments ?residual
HF660	-	-	-	earring ?residual
HF666	-	x (worn)	-	-

Table 23 Grave goods from inhumations.

Armlets came from three burials: seven in HF468(1), one in HF468(2) and one in HF560. The diameter of those in HF468(1) show that they belonged to a child. The armlet in HF468(2) was not well preserved but was certainly larger than those with HF468(1); it may have belonged to an adult or older child, as was also the case with the armlet in HF560 was of similar size. Other personal equipment from the burials consists of a finger-ring worn by the corpse in HF143, another that may have been worn in HF517, a mirror in HF394, a jet Medusa pendant in HF468(1), and an iron knife and small bell in HF556. An enigmatic group of tiny copper-alloy fragments in HF646 and a single earring in HF660 may be residual. The mirror dates to the 3rd-century, while the jet pendant is probably, like other examples from Britain, of late 3rd to mid 4th century date. Both the pendant and the bell were apotropaic deposits, intended to protect the dead – in both cases children – from evil forces in the afterlife, with the jet of the pendant reinforcing its power (Crummy 2010).

A highly unusual group of objects, possibly deposited in a wooden box, lay in HF579; they are more fully discussed in that section below. They include a pewter dish, a small bell and a miniature cup, the two latter suggesting that this was a child's burial, and other items that might have been included in a child's collection of *crepundia*. In complete contrast, the grave also contained two lead pulley spools and a large group of ironwork ranging from both household and agricultural equipment to a variety of iron nails, several of which could only have been used on substantial structures. These items, all full-sized and so for use by an adult, may be representative of the output of a blacksmith who was buried in the grave. The non-ferrous objects, apart from the pewter dish which lay beyond the area of the putative box, may then show that the smith also worked in other materials. Alternatively the iron tools and other equipment may be intended for use by a child in the afterlife, as the young were believed to continue to grow into adulthood after death. With no skeletal remains from the grave, which was large enough to accommodate an adult, the range of possible occupants are: a single child, two or more children, an adult and a child, or even an adult and two very small children.

Inhumation HF10

An iron nail is residual in this context.

H(17), SF 107. Iron nail head. Diameter 14mm.

Inhumation HF13

An iron hobnail is residual in this context.

H(28), SF 93. Iron hobnail. Length 10mm.

Inhumation HF36

A wooden coffin with iron corner bindings lay in the northern half of the burial, with HF36.1 and HF36.2 representing its northern edge and HF36.3 and HF36.4 the southern. Its overall dimensions can be defined by both sets of fittings and by some large nails associated with each group as approximately 500 by 250mm.

HF36.1 H(69), SF27. Two thin iron plates with studs *in situ*. a) In three fitting fragments, two studs about 34mm apart, not close to the surviving edge, and mineral-replaced wood on the underside. 49 by 44mm. b) Stud near a surviving edge but missing its head, and mineral-replaced wood on the underside, 46 by 45mm; a small fragment with a stud *in situ* probably fits to fragment b, shank clenched. 22 by 20mm. When found, fragments a and b were set at right angles to each other, presumably attached at the least well-preserved edges.

HF36.2 H(69), SF27. Three thin iron plate fragments, each with a stud *in situ*. a) Stud in the only surviving corner, small chip of copper-alloy sheet attached to the underside. 49 by 34mm. b) Stud in the only surviving corner and mineral-replaced wood on the underside. 39 by 32mm. c) Small fragment, stud in the centre. 21 by 18mm.

HF36.3 H(93), SF28. Small thin iron plate fragment, with mineral-replaced wood on the underside. 24 by 14mm.

HF36.4 (H70), SF29. Thin iron plate fragment, with mineral-replaced wood on the underside. 35 by 33mm.

Inhumation HF56

All three iron items were found some distance apart. They probably represent coffin fittings, as HF36 above, rather than a box.

HF56.1 H(121), SF8. Thin iron plate fragment with a stud *in situ* in the surviving corner and mineral-replaced wood on the underside. 46 by 38mm.

HF56.2 H(122), SF9. Thin iron plate with plate with a stud in the two surviving corners and mineral-replaced wood on the underside. 49 by 41mm.

HF56.3 H(123), SF10. Iron stud with a small piece of thin iron plate attached and mineral-replaced wood on the shank. 19 by 19mm, stud 18mm long.

Inhumation HF96

Some of the fragmentary objects found in this grave pit have been scorched or burnt, and are probably residual from an earlier cremation.

HF96.2 H(249), SF32. From left foot. Eight iron hobnails or hobnail fragments, longest 12mm.

Residual

H(202), SF21. Copper-alloy sheet fragment. 10 by 6mm.

H(236), SF31. Copper-alloy sheet fragment. 8 by 6mm.

H(250), SF30. Fragment of scorched and distorted copper-alloy sheet. 21 by 19 by 5mm.

H(217), SF22. Long barrel-shaped round-section cylinder bead of scorched translucent green glass. Length 10mm, diameter 6mm.

H(176G), SF23. Clenched iron nail with damaged head; the metal is clean, probably burnt. Length (bent) 29mm.

H(176Q), SF20. Iron nail; the metal is clean and characteristic of burning. Length (bent) 63mm.

H(209). Blue-green glass rod handle fragment with lower attachment to vessel body. Length 34mm; minimum width 5.5mm. Rod handles occur on a variety of forms, most of them late Roman (Cool and Price 1995, 139).

Inhumation HF105

An iron nail is residual in this context.

H(201), SF33. Burnt iron nail, length 42mm.

Inhumation HF123

Two burnt iron nails are residual in this context.

H(-), SF34. Two burnt iron nails, lengths 53 and 45mm.

Inhumation HF126

The deceased was buried wearing heavily nailed leather shoes or boots, the hobnails so numerous that they would have covered the soles. A few burnt hobnails in the grave pit were residual from an earlier cremation. An unburnt coin of Trajan (AD 116) in the upper fill is also residual. A coin of Faustina II? lying by the left knee has an unusual surface patina and may have been scorched, but its position relative to the corpse indicates that it was deliberately placed there as a grave deposit.

HF126.1 H(462A), SF61. From left foot, ninety iron hobnails and hobnail fragments, longest 17mm.

H(462B), SF62. From right foot, eighty iron hobnails and hobnail fragments, longest 17mm. The deceased was buried wearing heavily nailed leather shoes or boots, the hobnails so numerous that they would have covered the soles.

HF126.2 H(429), SF55. Worn, ?scorched, base silver ?*denarius*, probably of Faustina II, AD 147-75. Obverse: legend worn away, draped bust right (hairstyle with low bun). Reverse: legend worn away, bird (?dove) standing left, S C below. Diameter 15mm, weight 2.13g. Found lying by the left knee it has an unusual surface patina and may have been scorched, but its position relative to the corpse indicates that it was deliberately placed there as a grave deposit.

Residual

H(283), SF36. Worn copper-alloy *sestertius* of Trajan, AD 116, *R/C* 667. Obverse: [IMP CAES NER TRAIANO OPTIMO] AVG GER DAC P[ARTHICO P M TR P COS VI P P], laureate and draped bust right. Reverse: legend worn away, Trajan seated left on platform presenting Parthamaspatas to kneeling Parthian; attendant behind emperor. Diameter 33mm; weight 25.16g.

H(276), SF92. Two iron hobnails, lengths 12 and 14mm.

H(1053), SF186. Two burnt iron hobnails, lengths 16 and 15mm.

H(270), SF37. Small burnt iron nail, most of the head is missing, length 25mm.

Inhumation HF143

Nailed leather footwear was worn by the deceased, and a snake finger-ring found close to the left femur was probably worn on the left hand (Fig 23, HF143.2). A worn coin of Trajan lay in the bottom right hand corner of the coffin, and appears to be a deliberate deposit, although the position is unusual; it may have originally been held in the right hand and worked loose when the coffin was moved. The grave was truncated above the femurs by HF151 and may originally have held other grave goods.

HF143.1 H(412), SF59. Twenty-two iron hobnails or hobnail fragments, longest 18 mm. **H(413), SF47.** Twenty-two iron hobnails or hobnail fragments, longest 16 mm. Representing nailed leather footwear was worn by the deceased.

HF143.2 H(416), SF48. Fig 23. Copper-alloy coiled snake finger-ring, in fragments and in poor condition. The hoop is plain; the snake heads consist of a central boss surrounded by a flat notched area. Diameter 22 mm. Found close to the left femur was probably worn on the left hand.

HF143.3 H(422), SF49. Very worn copper-alloy as of Trajan(?), AD 98-117. Obverse: worn laureate head right, legend worn smooth. Reverse, worn smooth. Diameter 26 mm; weight 10.8 g. It lay in the bottom right hand corner of the coffin and appears to be a deliberate deposit, although the position is unusual; it may have originally been held in the right hand and worked loose when the coffin was moved.

Inhumation HF158

The melted glass is residual in this context.

H(350). Small amorphous puddle of melted blue-green glass with traces of burnt human bone adhering. 39 by 22 by 9mm; weight 6.5g.

Inhumation HF161

No bone survived in the burial, and there is insufficient evidence to determine whether two overlapping sets of hobnails at one end of the grave had been worn or not.

HF161.6 H(405), SF57. Fifty-four iron hobnails and hobnail fragments, some neatly corroded together, many with traces of mineral-preserved leather on the undersides, longest 14mm.

Inhumation HF163

The melted glass is residual in this context.

H(354). Small amorphous chip from a puddle of melted blue-green glass. 22 by 12 by 8mm; weight 3g.

Inhumation HF172

The iron nails are residual in this context.

H(396), SF56. a) Two clenched nails corroded together, one missing the head, lengths (if straight) 43 and 42mm. b) Two nails corroded together, one a folded shank, the other with only a short length of shank remaining, lengths 11 and 21mm (bent).

Inhumation HF177

Hobnails from worn nailed leather footwear were only found on the right foot, with those from the left presumably completely decayed.

HF177.1 H(448), SF68. Twenty-seven iron hobnails and hobnail fragments, longest 18mm.

Inhumation HF183

A worn coin of Faustina I lay near the head and may originally have been in the mouth. A burnt iron nail is residual.

HF183.3 H(469), SF67. Worn copper-alloy as of Faustina I, AD 146-61, *RIC* (AP) 1162. Obverse: [DI]VA FAVST[INA], veiled bust right. Reverse: AET[ERNIT]AS S C, Pietas standing left, raising right hand (and holding box of perfume). Diameter 23-26mm; weight 10.49g.

Residual

H(434), SF58. Burnt iron nail. Length 48 mm.

Inhumation HF193

Nailed leather footwear at the foot of the grave were not worn at the time of burial but lay with the left toe beneath the right heel, with the nailing pattern on each well-preserved. With a line of hobnails around the edge of the sole, another line inside it, and a central row running from toe to heel, the pattern is van Driel-Murray's 2a (1995).

HF193.1 H(462), SF150. One hundred iron hobnails and hobnail fragments, longest 16mm. **H(463), SF60.** One hundred and twenty-seven iron hobnails and hobnail fragments, longest 17mm.

Inhumation HF194

A coin of Vespasian lay near one end of the grave pit and may originally have been placed in the mouth.

HF194.1 H(478), SF66. Copper-alloy as of Vespasian, AD 69-79 (AD 72), Lyons mint, *RIC* (2nd edition) 1197. Obverse, only slightly worn: IMP CAESAR VESPASIAN AVG COS IIII, radiate head right. Reverse, worn: SECVRITAS AVGVSTI, S C in exergue, Securitas seated right, resting head on raised right arm, holding sceptre in left, altar and torch before. Diameter 27.5mm; weight 9.76g.

Inhumation HF197

Two groups of hobnails were found along the western edge of the coffin. One group consist of nearly twice the number of the other, and they may represent two pairs of nailed leather footwear rather than one, although burial conditions may be also be responsible for the difference.

HF197.1 SF69. Iron hobnails and hobnail fragments. a) **H(489).** One, length 15 mm. b) **H(516).** Thirteen, longest 15 mm. c) **H(518).** One, length 14 mm. **H(520), SF185.** Twenty-six iron hobnails and hobnail fragments, longest 14 mm.

Inhumation HF221

The leaded bronze is residual in this context.

H(555), SF70. Amorphous fragment of leaded bronze, either metal-working waste or pyre debris. 21 by 21 by 12mm; weight 24g.

Inhumation HF223

Three out of a total of 45 iron coffin nails were given small find numbers.

H(622), SF80. Clenched nail with mineral-replaced wood running across the shank. The head is distorted by a massive corrosion bubble. Length (clenched) 39mm.

H(623), SF82. Two clenched nail shanks with associated pieces of mineral-preserved wood. Lengths (bent) 27 and 31mm.

Inhumation HF278

A small fragment of a mirror is almost certainly residual.

H(587), SF83. Corner fragment of a high-tin bronze (speculum) square or rectangular mirror with plain polished reflective surface and rough (sand-cast) back. The two bevelled edges meet at a slightly obtuse angle. Maximum surviving dimensions 32 by 26mm, thickness <0.25mm.

Inhumation HF300

As the grave was truncated and no skeletal material remained, it is unclear whether or not the nailed leather footwear present was worn at the time of burial or not.

HF300.2 H(618), SF88a. Twenty-seven iron hobnails and hobnail fragments, many with mineral-preserved leather on the shank, longest 18mm. **H(619), SF161.** Five iron hobnails and hobnail fragments, longest 16 mm.

H(618), SF88b. Iron nail shank fragment, length 31mm.

Inhumation HF302

HF302.1 H(627), SF91. Small right-angled bracket with a small stud fitted at the end of each arm. Traces of wood survive on the inner face. Arm lengths 37 and 39mm, width approx. 13mm. Possibly associated with the wooden coffin.

Inhumation HF337

Three 2nd-century coins from the burial all came from one end of the grave pit and probably lay within the coffin. No skeletal material was present, and it is unclear whether or not the coins lay near the feet or on, in or near the head.

HF337.1 H(672), SF86. Very worn copper-alloy 2nd-century *sestertius*, probably of Faustina II(?), AD 147-75. Obverse: legend missing, head right, detail worn and obscured by mineral-replaced textile. Reverse: worn smooth, partly covered by mineral-replaced organic material. Diameter 33mm; weight 21.78g.

HF337.2 H(673), SF85a. Worn as of Antoninus Pius, AD 138-61 (AD 142), *RIC* 678. Obverse: [ANTONI]NVS AVG PI-VS /-, radiate head right. Reverse partly obscured by mineral-preserved textile: legend missing [CONCORDIA EXERCITVVM S C], Concordia standing left holding Victory on right hand and legionary standard in left. Diameter 26mm; weight 12.20g.

HF337.3 H(673), SF85b. Very worn 2nd-century *as*. Obverse: legend missing, head right, features obscured by mineral-replaced textile. Reverse: worn smooth. Diameter 25mm; weight 9.12g.

Inhumation HF339

The iron nail is residual in this context.

H(700), SF98. B) Iron nail with large flat head. Length 31mm.

Inhumation HF345

A fragment from a copper-vessel was residual in this context.

H(704), SF83. Copper-alloy vessel fragment with everted rim. Below the rim on the outer face is a band of plain lozenges and hatched triangles. The vessel has broken just below this band. Diameter 70mm, height 6mm.

Inhumation HF353

A mirror fragment was residual in this context.

H(711), SF81. Corner fragment of a high-tin bronze (speculum) square or rectangular mirror with plain polished reflective surface and rough (sand-cast) back. An irregular raised area on the back is part of the original casting and probably a flaw rather than a deliberate feature associated with fixing the mirror to a wooden frame. Maximum surviving dimensions 56 by 50mm, thickness 1mm.

Inhumation HF392

A lamp fragment was residual in this burial.

H(679), SF79. Wall/base sherd from a ceramic lamp with rounded nozzle, probably a factory lamp. Fabric orange-red. Length 52mm. Weight 9.91g.

Inhumation HF394

Fragments from a mirror (Fig 48, HF394.1) lay scattered near the centre of HF394, approximately in the area of the chest and pelvis. With no other evidence for the deliberate mutilation of grave goods in this area of the cemetery and at this period, it may have been placed on the coffin lid and shattered when the wood collapsed. Of 3rd-century date, it was probably made at Nijmegen (Lloyd-Morgan 1981, 95). A small group of hobnails lay near one end of the grave pit, but with no bone remaining in the burial it is unclear if the leather footwear they represent was worn or not.

HF394.1 H(681), SF 89. Fig 48. Incomplete and fragmented high-tin bronze (speculum) round mirror of Lloyd-Morgan's Group Xc, with plain polished reflective surface, decorated back with slightly thickened bevelled rim emphasised by a concentric groove, and the scar from one end of the rear-loop handle. The part of the disc that would have shown the scar from the other end of the handle is missing. The decoration on the back consists of a incised geometric flower with alternate plain and grooved angular petals around a ring-and-dot and within a roundel of concentric circles; eight ring-and-dots lie on the edge of the roundel within the angle formed by each pair of petals. Diameter 99mm, 1mm thick at rim.

HF394.2 H(683), SF87. Sixteen iron hobnails and hobnail fragments, longest 16mm.

Inhumation/Cremation HF408 a & b

Two hobnails either came from cremation HF408a or inhumation HF408b.

H(756), SF101. Two iron hobnails, corroded together, lengths 14 and 16mm.

Inhumation HF452

The two groups of hobnails from the surviving end of this truncated grave lay aligned with each other across its width and a short distance apart. The footwear they represent is unlikely to have been worn at the time of burial. The nailing pattern of the larger group shows a line of hobnails around the edge of the soil, two central rows at the heel, and other nails at the waist but none at the tread or toe.

HF452.1 H(772), SF104. Forty-nine iron hobnails and hobnail fragments, longest 13mm. **H(773), SF105.** Nine iron hobnails and hobnail fragments, longest 11mm.

Inhumation HF464

Two sets of hobnails lay side by side towards the eastern end of the grave pit and east of the skull. Both had a line of hobnails around the edge of the sole, with others curving across it.

HF464.1 H(826), SF142. Thirty-six iron hobnails and hobnail fragments, longest 17mm. **H(827), SF137.** Thirty-four iron hobnails and hobnail fragments, longest 17mm. **H(789), SF140.** Eight iron hobnails and hobnail fragments, longest 12mm.

Residual

H(790), SF119. Very weathered, possibly burnt, gastropodic limestone veneer fragment (Purbeck marble). One edge and two possible surfaces survive. 70 by 60 by 29mm.

Inhumation HF468

Although no bone remained, the small diameter of seven copper-alloy armlets show that this was the burial of a child. It may be one of two burials in the grave pit, and is defined in Table 2 above as HF468(1). Two groups of armlets, one of four and one of three, lay a short distance apart near the southern end of the grave, with an amuletic jet pendant between them and slightly further south, as if defining a child's body, head to the south, with bracelets on each arm and a pendant on the breast. Most of the surviving coffin nails define much the same

area rather than follow the outline of the grave pit, which is much larger than necessary to accommodate a body and coffin of the size suggested by the jewellery or nails.

The pendant shows the head of Medusa in relief (Fig 49, HF468.1). The type is not numerous and has recently been discussed by Eckardt (2014, 112-15). Only twenty-one have been recorded so far, all from Britain, the Rhineland or northern Gaul and most are grave finds, although few are well-dated (*ibid.*, appendix 6). They fall into two broad groups, those with snakes within the hair and those with snakes beyond it, as here, but no two individual pendants are alike and the carving varies from good to crude (*ibid.*, 114-15). The earliest example is probably that found in a burnt horizon dated to the mid 3rd century at Tournai, Belgium (Amand 1952), but British examples generally belong within the late 3rd to about the mid 4th century (Eckardt 2014, appendix 6).

The image of Medusa is apotropaic, used in funerary contexts to guard the deceased in the afterlife, and is reinforced by the use of jet, an electrostatic material much used in funerary suites of jewellery in the later 3rd and 4th century (Crummy 2010). The snake imagery around her head is repeated on two of the armlets in HF468 (Fig 49, HF468.2-3), although here as benign rather than malevolent creatures, and snake jewellery was popular for so many centuries that it may have ceased to have any real symbolic impact (Johns 1997, 35). These armlets were in the same group, along with a plain penannular armlet (Fig 49, HF468.4) and a very fragmentary fourth armlet consisting of decorated copper-alloy sheet wrapped around the outer face of a wooden form (Fig 49, HF468.5). A second armlet of this type from which no wood survived (Fig 49, HF468.6) was in the group of three. The technique of wrapping thin metal sheet around a pliable wooden core is long-lived. It was used in the Celtic world for the manufacture of Iron Age torcs in Gaul and for a large armlet from the conquest-period Warrior's burial at Stanway (Déchelette 1914, 1211-12, fig. 515, 1; Crummy *et al.* 2007, 178, fig. 84), and in the Classical world gold jewellery was often worked around an organic core, not only reducing the weight of large pieces but also the quantity of gold needed and thus the price of the item (D'Ambrosio 2001, 60, no. 37, 61, no. 41); a pair of snake armlets found in the bag of a woman who died at Herculaneum during the eruption of Vesuvius are, like those from HF468, of C-shaped section (Roberts 2013, fig. 377). Closer in date to HF468 is a tubular bracelet still retaining part of a thin hazel branch inside from a 4th-7th century child's grave at Cannington, Somerset (Rahtz *et al.* 2000, 355, fig. 239). One of the other two armlets in this group was plain and penannular (Fig 49, HF468.8), the other had a damaged hook and eye terminal and was decorated on the outer face by a bead-imitative design (Fig 49, HF468.7). The metal on the damaged terminal had been worked smooth before burial.

A fragment of another copper-alloy armlet came from the eastern side of the grave pit, beyond the line of coffin nails framing the other grave goods (Fig 49, HF468.9). Although only a fragment, it may represent a second burial in the pit, as it is made from such thin metal that the missing part may have been completely eaten away by corrosion. In Table 2 above, this armlet is defined as HF468(2). Its diameter is appropriate for an adult or older child.

HF468.1 H(793), SF108. Fig 49. Jet pendant with a head of Medusa carved in relief and a large flat-topped transverse suspension tube. The Gorgon's hair is shown neatly dressed, with two snakes set below her chin and one on each side of the head rather than as part of the coiffure, and there is a wing above and to each side of the head. The reverse is plain and well-polished. Length 50mm, width 44mm, maximum thickness 10mm.

HF468.2 H(788Ai), SF115a. Fig 49. Ovoid penannular copper-alloy square- to rectangular-section snake armlet. The centre of the hoop is plain. Each snake's head terminal is marked initially with a cross, then by scales flanking a central scaled ridge that terminates in a shallow depression. Depressions also form the eyes, and a groove on each side of the ridged snout marks the slightly open jaws. One terminal is less clearly marked than the other. External diameter 36-42mm, internal diameter 30-35mm, height 2.5-6mm, thickness 2-3mm.

HF468.3 H(788Aii), SF115b. Fig 49. Copper-alloy armlet as HF468.2, again with one terminal less clearly marked. External diameter 34-43mm, internal diameter 28-36mm, height 2.5-6mm, thickness 2-3mm.

HF468.4 H(788B), SF116. Fig 49. Almost circular copper-alloy plain penannular ovoid-section armlet. External diameter 39-40mm, internal diameter 33-35mm, height 3mm, thickness 2mm.

HF468.5 H(788C), SF117. Fragmentary penannular wooden form and C-section copper-alloy decorated sheath from the outer face as HF468.6 below. Dimensions if complete as HF468.6.

HF468.6 H(792), SF118a. Fig 49. Ovoid copper-alloy penannular C-shaped section bracelet sheath, made by shaping the metal over a wooden form, now missing (see HF468.5 above). The outer face bears elongated lozenges of pairs of incised grooves, and there is a group of incised transverse grooves on each terminal. Both terminals are damaged. External diameter 42-50mm, internal diameter 32-40mm, height 10mm, width across section 4-6mm.

HF468.7 H(792), SF118b. Fig 49. Ovoid copper-alloy rectangular-section bracelet, with a hook-and-eye terminal now missing the hook; the metal where it has broken off has been worked smooth. The outer edge is bead-imitative, with long biconical beads separated by two small spacer beads. External diameter 40.5-47mm, internal diameter 32-38mm, height 1.5mm, maximum thickness 3mm.

HF468.8 H(792), SF118c. Fig 49. Almost circular copper-alloy plain penannular ovoid-section bracelet, tapering to the terminals. External diameter 39-41mm; internal diameter 35-37mm, height 1.5-2.5mm, thickness 1-2mm.

HF468.9 H(795), SF111. Fig 49. Fragments from a plain copper-alloy ovoid-section bracelet, the surface discoloured by contact with iron. External diameter approx. 50mm, height 1.5mm, thickness 1mm.

From the evaluation phase (then numbered HF14).

HF468.10 H(3), SF1. Fragment of an early-mid Roman box-ring with faceted section. Diameter 37mm, section diameter 3mm.

Inhumation HF469

Two groups of hobnails at the foot of the grave were from leather footwear worn at the time of burial.

HF469.1 H(839), SF138. Thirty iron hobnails and hobnail fragments, some with the heads corroded together and most with traces of mineral-preserved leather, longest 17mm.

Inhumation HF481

A conical glass jug represents the only deliberately placed glass vessel recorded in an inhumation on Area H.

HF481.4 H(811). Fig 51. Crushed blue/green glass vessel; most of lower vessel complete when excavated (now in pieces); neck, rim and handle incomplete. A conical jug with long neck, open base ring and concave base (Price and Cottam 1998, 155-157). Ribbon handle with central rib applied to upper body and attached to neck and underside of rim. Elongated vertical trail with pinched projections extends down body from handle attachment. Height when excavated 174mm, maximum diameter of body 137mm, diameter of base 77mm. Late 1st to mid/late 2nd century.

Inhumation HF492

Two groups of hobnails at the eastern end of the grave were from leather footwear worn at the time of burial.

HF492.3 H(835), SF147. Twenty-six iron hobnails and hobnail fragments, some with the heads corroded together, longest 16mm. **H(836), SF148.** Thirty iron hobnails and hobnail fragments, some with the heads corroded together and most with traces of mineral-preserved leather, longest 16mm.

Inhumation HF517

Two groups of hobnails at the western end of the grave pit lay flat and represent leather footwear that was not worn at the time of burial. The nailing pattern was slightly obscured by broken pottery, but both groups appear to have a line around the outer edge of the sole and probably a central row running from heel to toe. A worn coin of Vespasian, AD 69-79, lay to

the south-west of the southern group of hobnails. A coin of Commodus, AD 180-92, was not planned and may have come from the fill. A fragment of a copper-alloy finger-ring lay within an area defined by coffin nails at the eastern end of the grave pit. It is probably a much decayed grave deposit rather than residual.

HF517.3 H(833), SF141. Forty-one iron hobnails and hobnail fragments, longest 17mm. **H(834), SF139.** Fifty-one iron hobnails and hobnail fragments, longest 17mm.

HF517.4 H(824), SF109. Very worn copper-alloy *as*, probably Vespasian, AD 69-79. Obverse: head right, legend worn away. Reverse: eagle on globe, legend worn away. Diameter 26mm; weight 6.69g.

HF517.5 H(800), SF112. Worn copper-alloy *as* of Commodus, AD 180-92 (181/182), as *RIC* 323. Obverse: legend worn away, laureate head right. Reverse: [-] IIII COS [-] S C, Mars advancing right, carrying spear and trophy. Diameter 26mm; weight 8.79g.

HF517.6 H(817), SF110. Fragment of a copper-alloy finger-ring with two round cups flanking an oval bezel, all now empty but probably originally filled with enamel. Diameter approx. 19mm.

Inhumation HF556

A small bell (Fig 57, HF556.1) lay towards the western end of the grave pit; with no skeletal remains surviving its precise position relative to the body cannot be determined but it appears to lie on or within the northern edge of the coffin. Bells were sometimes placed in infant and child burials as protective devices, using noise to drive away evil (Crummy 2010, 53-4). A small bell was found with the cremation of a perinatal infant dated to the late 1st or early 2nd century in the cemetery at Valladas, St-Paul-Trois-Châteaux (Drôme), and some were set into the mortar sealing children's tombs in the catacombs at Rome, a practice that was particularly common in the fourth century (Feugère 2002; Nuzzo 2000, 252-3). At the Butt Road Police Station site in Colchester a bell was among a very varied collection of amulets in one infant grave, a pair of bells on an iron chain lay in another, and an armlet fitted with a bell was among the jewellery in the burial of a ten-year-old girl (Crummy *et al.* 1993, 41, 47, 137; Crummy 2010, 46-7, 53-4).

A small iron knife (Fig 57, HF556.2) had been placed at the eastern end of the coffin, more or less aligned across its width. The end of its suspension loop handle is missing, damage that appears to have occurred in antiquity and may be deliberate. The suspension loop is at right angles to the plane of the blade, a comparatively uncommon feature but also seen on knives from Water Newton and Silchester (Manning 1985, 114, pl. 54, Q40; Boon 1974, fig. 34, 13). The knife may have been sheathed in a leather scabbard when deposited. Apart from the numerous items in Inhumation H579, it is the only piece of practical equipment from the Area H burials.

HF556.1 H(874), SF114. Fig 57. Small copper-alloy conical bell with angular suspension loop and iron clapper. There is a pair of incised grooves around the base and a single groove close to the top. Height 15mm, diameter 14mm.

HF556.2 H(866), SF192. Fig 57. Small iron knife with a square-section tang and broken elongated suspension loop set at right angles to the plane of the blade and formed by bending the tang up slightly and then back on itself. An organic handle, probably wood or bone, would have been fitted over the tang before the loop was formed. The edge of the blade is straight, the back initially follows the line of the tang then curves down to the point, the very tip of which is missing. Slightly textured iron corrosion on one face of the blade may represent a leather scabbard. Total length 149mm; length of blade 69mm.

Inhumation HF560

A plain penannular armlet (Fig 57, HF560.1) lay towards the south side of the grave pit, in the correct position to have been worn on, or placed near, the right arm. Its diameter suggests that this was probably the burial of an adult or older child.

HF560.1 H(882), SF113. Fig 57. Ovoid plain penannular copper-alloy armlet, ovoid to D-shaped in section. External diameter 39-49mm, internal diameter 36-46mm, height 3mm, thickness 0.5-2mm.

Inhumation HF579

A very idiosyncratic grave group consisting of a wide variety of ironwork and other metal and non-metal items came from this burial. Most of the objects lay together, with several pottery vessels, at the west end of the grave pit. They may have been in, or at least closely associated with, a large wooden box, the existence of which is far from certain. Much of the ironwork was fused together and was consequently lifted as two blocks (numbered SF122 and SF123, and as individual items were recorded within these blocks they were assigned an identifying lower-case letter). All the objects are listed in the catalogue below in the order in which they are discussed here.

Four items lay, or appeared to lie, outside the main group. A pewter vessel, surviving only as small fragments, was the most distant item from the putative box, lying towards the southern side of the pit and about halfway along its length (HF579.7). The vessel's diameter and surviving height suggests that it was a low round dish, similar to a pewter vessel from an adult female inhumation dated to the later 3rd century, or perhaps the very early 4th, on the Butt Road Police Station site (Crummy *et al.* 1993, 24). Not far to the north of the vessel was a featureless iron strip (HF579.8), and between the strip and the main cluster of objects was a small iron ring and a nail shank fragment (HF579.9). The ring is probably a chain link (see below). The vessel and strip certainly lay outside the area of the ?box, while the ring and nail shank were close to its eastern side and could perhaps have been on or inside it.

Evidence for the existence of a box consists chiefly of some dark staining of the soil in the area of the main group of deposits and the presence of an iron lock on the north side of the group, with an iron rotary key lying on the outer face of the lock-plate, not fitted into the keyhole (Fig 58, HF579.10i, iii, iv and v). A copper-alloy sheet fragment was found in contact with the key but not the lock-plate. The stained soil may be all that remains of decayed iron-impregnated wood from a box, but might equally derive from other organic objects, such as wooden vessels, clothing, or food, or, as many of the deposits were iron, might well be the result of corrosion products colouring the sandy soil. The absence of hinges on the south side of the group argues strongly against the existence of a box, as with no hinges to secure a lid to the back board, placing a lock on the front does not alone secure lid and body together. There is some possibility that leather hinges were used, but no metal studs or nails necessary to secure them to lid and back board were present. The position of the key is also odd, as it could not have lain across a lock-plate attached to a vertical front board. The lack of nails around the edges of the group may simply imply that the putative box was jointed, but is also another reason to doubt that a box existed. The wide range of object types within the deposits in this area may also point to the lock and its key being grave goods in their own right.

The non-ferrous items within the main group of deposits were a small copper-alloy bell missing its clapper (Fig 59, HF579.11), a miniature copper-alloy cup (Fig 59, HF579.12), a decorated copper-alloy disc, probably a *pyxis* lid (Fig 59, HF579.13), a glass vessel base modified into a disc or counter (Fig 58, HF579.14), two lead pulley spools (Fig 58, HF579.15-16), a piece of window glass dating to before c. 300 (HF579.17), a fragment of weathered plaster (HF579.18) and a fragment of weathered ?alabaster (HF579.19). The last three pieces were almost certainly residual in the grave fill and imply that there had been an earlier building of some quality in the area.

As with inhumation HF556, the bell points to this being the burial of an infant or young child, or, given the number of ceramic vessels, of more than one child, and the miniature cup is appropriate in the same context. The decorated disc is plated with white-metal and has bands of engraving that show up black against the white; they may have been filled with niello (silver sulphide). No direct parallels have yet been found to allow this disc to be positively identified. A central unplated floret-shaped boss was attached to the disc by tin-lead solder. There are no obvious means of fixing the disc to any other object, although there had probably been enough solder on the underside for it to be used as an appliqué attached to a larger metal object. The diameter is appropriate for it to be a *pyxis* lid, but with no side walls it would not

have been a stable fit. The general techniques used in the decoration are reminiscent of those used on some mirrors and inkwell lids, but the precise styles are not matched on those items (Lloyd-Morgan 1981; H. Eckardt, pers. comm.). The lid may be the product of a workshop manufacturing a range of small metal high-status items in various styles. The bell, cup and lid, together with the glass disc, could all be classed as *crepundia*, amulets, miniatures or other curiosities collected by young girls in a range of materials and colours (Martin-Kilcher 2000, 66-7); similar groups were also put together by bereaved parents for their amuletic properties in the afterlife (Crummy 2010, 54, 66-9).

The lead pulley spools and iron objects are much more utilitarian. The latter include shears (Fig 60, HF579.20), a lift-key (Fig 60, HF579.21), a slide-key (Fig 60, HF579.22), a pot-hook (Fig 60, HF579.23), and a reaping-hook (Fig 60, HF579.24). A long double-ended spike may be a skewer (HF579.25). Several rings of two different diameters lay within soil block SF 123 (HF579.26-29); some were certainly individual deposits, others may belong with the pot-hook, which has some chain links attached to one end. A curved iron band may be part of a bucket hoop (HF579.30). A strip fragment with two rivet holes may derive from any number of larger objects or from a building (HF579.31) and may be residual. A number of nails were present (HF579.32-42), but too few to be from the putative box, and some are certainly too large to be box nails and would have been used in the construction of buildings, such as HF579.36, HF579.38-39 and HF579.40i, most of which lay towards the centre of the main group of deposits. A single hobnail (HF579.40iii) may be residual from an earlier cremation, which suggests that at least some of the other nails, in particular those that survive only as fragments, may also be residual, but the widely varying nature of the items in the collection would also allow for the hobnail to be a deliberate deposit (see below).

Although the three copper-alloy items point to HF579 being an infant burial, this is certainly not the case with the iron and lead objects, which are all full-sized pieces for adult use. Household equipment is represented by the pothook, lock, keys and possible skewer. The reaping-hook and probably also the shears are agricultural equipment, although the latter may have been used for cutting cloth. The lead pulley spools were probably used with rope, rather than an iron chain, to lift goods or equipment out of a cart or boat, or to raise them to a second storey; they may even have been used to lower heavy items into a grave (such as the box in this burial). The possible bucket hoop fragment could have been used in either a household or agricultural context, although being only a fragment it may be residual. The three keys in the burial are all of different types, and this suggests that the ironwork may represent a blacksmith's repertoire, supported by the range of nail types, even perhaps by the single hobnail, and by the loose rings in two different sizes. An alternative interpretation is that the whole group was intended to provide equipment for the afterlife. The deposit is reminiscent of two sets of miniature tools from adult cremation burials at Sagnes à Pontarion (Creuse), one of which also included full-size items. Sépulture 238 contained a full-size saw, finger-ring, and stylus (all of iron), and a set of model iron implements comprising a frying-pan, fire-shovel, rake, scythe, hoe, shears, bill-hook, axe, adze-hammer, pick and two knives of different types, all suspended on a twist of iron wire. Suspended on an iron slip-knot ring, the set in Sépulture 150 consisted of a bill-hook, spatula, frying-pan, mason's hammer, fire-shovel, knife, key and axe, a probable leather-worker's lunette knife, and two implements that have not been positively identified (Lintz 2001, 62-4, 328-9, 351-2). As with the enigmatic HF579 assemblage, the range of domestic and craft equipment present in these sets may suggest that these are the burials of two smiths taking representative samples of their work into the afterlife, or, more likely, as those of adults provided by their families with equipment necessary to thrive in the afterlife.

Several possibilities therefore present themselves. This may be the burial of a smith who worked in iron, non-ferrous metals, and other materials (the latter represented by the adapted glass vessel base) provided with examples of his output; or that of a child (or possibly children given the size of the grave pit); or that of both an adult and child/children. Whatever the truth may be, the dead were beyond doubt provided with tools that might prove useful in the afterlife.

HF579.7 H(912), SF135. Degraded fragments from a pewter vessel, with part of a footing surviving on one piece. Total weight 21g.

HF579.8 H(913b), SF127. Iron strip fragment, in pieces. Length 96mm, width 22mm.

HF579.9 H(913g), SF130. a) Small iron ring, probably a chain link rather than a finger-ring. Diameter 20mm. b) Iron nail shank fragment. Length 41mm.

HF579.10 H(913d), SF122a. Fig 58. Iron lock with other iron and copper-alloy objects corroded onto it. i) Part of an iron lock-plate (81 by 55mm, both dimensions incomplete), with the one surviving original edge lying close (14mm) to the top of the keyhole; the plate has a key ward on the inner face (diameter 25mm). ii) Two separate pieces of the bolt (33 by 8mm; 34 by 8mm), one retaining an attachment staple (10 by 1=2mm). iii) Iron rotary key, lying across the outer face of the lock-plate and is missing part of its large circular bow and part of the bit (surviving length 87mm). iv) Slightly curved copper-alloy sheet fragment (37 by 32mm, both dimensions incomplete) lying across one side of the outer face of the key; possibly box cladding, but not directly associated with the lock-plate. v) Stout copper-alloy penannular ring with two longitudinal bands of fine grooves on the outer face, found adhering at an angle to the inner face of the lock-plate (diameter 26mm, height 10mm, thickness 1mm); probably the key ward, its ragged terminals suggest that it was originally soldered together as a continuous band.

HF579.11 H(909b), SF120. Fig 59. Small copper-alloy conical bell with nipped top, missing the suspension loop and clapper. Diameter 18mm, height 9mm.

HF579.12 H(913m), SF134. Fig 59. Cast miniature copper-alloy cup set on a shaft with two mouldings that rises from a hexagonal platform on a hollow hexagonal base. There is a single incised groove at the top of the cups, a pair of concentric grooves on the platform, and a single groove at the bottom of the base. There is a lathe-centre mark in the bottom of the cup. Height 52mm, diameter of cup 25mm, maximum width of base 29mm.

HF579.13 H(913e), SF128. Fig 59. Thin copper-alloy disc with incised decoration on the white-metal plated upper surface and with a floret-shaped boss attached to the centre by tin-lead solder. The solder filled the hollow centre of the boss and passed through a hole in the disc. An irregular scar on the underside shows that it was spread across an area of about 31 by 19mm. The surface decoration consists of a border defined by two close-set concentric grooves filled with inward-facing triangles both outlined and filled with incised zigzags (walked scorper decoration), and a circular area around the central boss, again defined by two concentric grooves that are here set slightly further apart, with the zone between grooves and boss filled by outward-facing triangles defined by incised zigzags. The grooves and zigzags were probably originally filled with niello. Diameter 80mm.

HF579.14 H(913f), SF129. Fig 58. Pale green glass vessel base with foot ring and concave pontil scar, probably from a small jug. The wall has been deliberately nibbled away. Diameter of foot ring 35mm, diameter of pontil scar 11-12mm.

HF579.15 H(913a), SF126. Fig 58. Lead dumbbell-shaped pulley spool. Length 38mm, diameter 29mm; weight 168g.

HF579.16 H(913l), SF123a. Fig 58. Lead dumbbell-shaped pulley spool. Length 25mm, diameter 36mm; weight 219g.

HF579.17 H(913c), SF124a. Fragment of very pale green, almost colourless, window glass with one matt and one glossy surface. There are some bubbles on the glossy surface. This type was in use to c. AD 300. Attached by corrosion to the head of nail HF579.40i.

HF579.18 H(913h), SF131. Fragment of weathered plaster (?gypsum), with two worked surfaces set at an obtuse angle. 86 by 50 by 36mm.

HF579.19 H(913i), SF132. Rectangular piece of weathered ?alabaster veneer, with a small broken projection at one corner. 55 by 35 mm, 12mm thick.

HF579.20 H(913l), SF123b. Fig 60. Iron shears, of the size used for shearing sheep and cutting cloth (Manning 1985, 34). Length 23 mm, width at spring loop 55mm.

- HF579.21 H(913d), SF122c. Fig 60.** Iron L-shaped lift key missing the teeth, with the top of the shank rolled over to form a suspension loop. Length 114mm.
- HF579.22 H(913d), SF122e. Fig 60.** Iron tumbler-lock slide key with large suspension loop, a rectangular handle above a narrow stem and damaged bit (as Manning 1985, fig. 25, 4-5, 7). Length 84mm.
- HF579.23 H(913I), SF123g. Fig 60.** Iron pot-hook, with the upper end rolled over to form a suspension loop in which is fixed a short length of chain (ring diameter 44mm) and the lower bent into a stout hook. The shank is 13mm across just before the bend for the loop, widening out to 36mm before the hook. Length (without chain link) 197mm.
- HF579.24 H(913j), SF125a. Fig 60.** Iron reaping-hook, with tapering open socket and short solid neck before the blade; bent just above the neck. The back of the blade continues the line of the ferrule, the edge is offset. The upper part of the blade is missing. Length (bent) 237mm. A complete reaping-hook of this form came from Colliton Park, Dorchester (Durham & Fulford 2014, fig. 144, 93).
- HF579.25 H(913I), SF123k.** Long iron double-ended spike, possibly a skewer. Length >300mm.
- HF579.26 H(913I), SF123c.** Iron circular-section ring. Diameter 47mm, section 10mm.
- HF579.27 H(913I), SF123f.** Seven iron circular-section ring fragments of two different diameters, 80mm (x 4), and 60mm (x 3); sections 7-9mm.
- HF579.28 H(913I), SF123h.** Iron circular-section ring corroded onto one side of HF579.23. Diameter 59mm.
- HF579.29 H(913I), SF123i.** Two iron circular-section ring fragments associated with HF579.23, one corroded onto the upper face. Length 21mm.
- HF579.30 H(913d), SF122b.** Curved iron band, incomplete at the time of burial, with an overlapping joint; probably part of a bucket hoop (as Manning 1985, pl. 48). Diameter 180mm approx., width ranges from 17 to 21mm (less in places where the edges have broken).
- HF579.31 H(909a), SF121.** Slightly curved iron strip fragment, rectangular section, with two rivet holes close to one side. Length 46mm, width 12mm.
- HF579.32 H(913d), SF122d.** Three iron nails and one nail shank fragment. i) Two nails lying parallel to each other and attached by corrosion. Lengths 79 and 77mm. ii) Nail. Length 54mm. iii) Shank fragment. Length 51mm.
- HF579.33 H(913I), SF123d.** Two iron nails. Lengths 57 and 51mm.
- HF579.34 H(913I), SF123e.** Four iron nail shank fragments. Lengths 54, 47, 41 and 32mm.
- HF579.35 H(913j), SF125b.** Iron nail, lying on the blade of the reaping-hook HF579.24 and attached to it by corrosion. Length 84mm.
- HF579.36 H(913I), SF123j.** Iron nail with lozenge-shaped head, Manning Type 2 (1985, 135, fig. 32, 2). Length (tip missing) 150mm.
- HF579.37 H(913I), SF123I.** Iron nail with large flat head. Length 84mm approx.
- HF579.38 H(913I), SF123m.** Iron nail with large hemispherical head. Length 202mm.
- HF579.39 H(913I), SF123n.** Iron nail. Length 135mm.
- HF579.40 H(913c), SF124b.** Four iron objects. i) Nail, with shank bent into an S. Length 105mm. Window glass fragment HF579.17 is attached by corrosion to the head of this nail. ii) Nail, tip missing. Length 61mm. iii) Hobnail, attached to nail ii by corrosion. Length >9mm. iv) Bar fragment, rectangular section, tapering to a point at one end. Length 60mm, maximum width 15mm.

HF579.41 H(913d), SF122f. A fused group of objects including a complete nail (length 98mm), other nail fragments, and strip fragments.

HF579.42 H(913I), SF123o. A fused group of objects including a spike or nail shank (length 136mm) and at least one other nail (length uncertain).

Inhumation HF596

A small group of hobnails were found in a jar.

HF596.4 H(903), SF162. Iron hobnail. Length 10mm. **H(903), SF163.** Eight iron hobnails, heads corroded together, longest 13mm.

Inhumation HF639

Two clusters of hobnails at the northern end of the grave pit were from nailed leather footwear worn at the time of burial.

HF639.1 H(966), SF152. Forty-one iron hobnails and hobnail fragments, many with mineral-preserved leather on the shank, longest 16mm. **H(967), SF151.** Twenty-eight iron hobnails and hobnail fragments, longest 13mm.

Inhumation HF641

Two groups of hobnails lay among the foot bones and represent nailed leather footwear worn at the time of burial. A single nail in each group are probably coffin nails. Other burnt hobnails (SF164) and a copper-alloy furniture nail (SF143) are residual.

HF641.1 H(1009), SF165a. Ninety-one iron hobnails and hobnail fragments, longest 17mm. **H(1010), SF182a.** Seventy-seven iron hobnails and hobnail fragments, many corroded into small clusters. Length of best preserved 18mm.

Coffin nails

H(1009), SF165b. Iron nail shank fragment, length 24mm.

H(1010), SF182b. Iron nail, length 33mm.

Residual

H(959), SF164. Five burnt iron hobnail fragments, longest 9mm.

H(971), SF143. Copper-alloy furniture nail, length 23mm.

Inhumation HF646/HF652

Two groups of hobnails from nailed leather footwear lay some distance apart and on different alignments within the grave pit. One group lay near the centre of the grave towards the eastern side and was aligned north-south with the toe to the south (HF652.2, SF158). It appears to have come from a single sole with a nailing pattern of van Driel-Murray's Type 3a, with a line of hobnails around the edge, another line only on the outside edge, and a row running from heel to toe (1995, fig. 1). The larger group lay east-west across the grave near the southern end; its nailing pattern was less well-defined but was probably the same (HF652.2, SF159). The origin of a small group of tiny copper-alloy fragments near the middle of the grave cannot be determined (HF652.3).

HF652.2 H(1023), SF158. Thirty-six iron hobnails and hobnail fragments, longest 12mm. **H(1024), SF159.** Sixty-three iron hobnails and hobnail fragments, longest 15mm.

HF652.3 H(1025), SF156. Three tiny copper-alloy fragments, largest 3 by 3mm.

Inhumation HF660

A single earring was residual in this context.

H(995), SF 155. Fig 74. Copper-alloy earring of Allason-Jones Type 1, a simple penannular hoop of wire tapering to one end (1989, 2, fig. 1). Diameter 15mm.

Inhumation HF666

Two groups of hobnails represent nailed leather footwear worn at the time of burial.

HF666.2 H(1031), SF157. Thirty-three iron hobnails and hobnail fragments, longest 16mm.
H(1032), SF184. Sixteen iron hobnails and hobnail fragments, longest 16mm.

Non-funerary contexts

The objects from non-funerary contexts range in date from the 1st to the 20th century, although many cannot be closely dated. The earliest are an Aucissa brooch dated to AD 43-60/1 and a very worn coin of Vespasian of AD 69-79. Some burnt nails are residual from pyres.

HF2 modern disturbance, H(13), SF4. Modern disturbance. Very worn copper-alloy as, both faces severely pitted by corrosion, Vespasian, AD 69-79. Obverse: [-] SPA [-], head right. Reverse: standing ?female figure, legend worn away.

HF24 posthole, H(46), SF18. Two burnt iron nails, residual from an earlier cremation. a) Length 47mm. b) Length 42mm. **H(47), SF25.** Bent iron nail shank. Length 48mm.

HF34 posthole, H(67), SF12. Burnt iron nail. Length 25mm.

HF184 ditch, H(424), SF146. Small weathered fragments from a Mayen lava quernstone, some retaining a worn grinding surface. Weight 58g.

HF366 pit, H(725), SF99. Iron nail. Length 18mm.

HF399 ditch, H(761), SF102. Sandstone rubbing-stone fragment; all faces are smooth from wear. 86 by 64 by 3 mm. **H(689), SF103.** Fragment of Millstone Grit, probably from a quernstone; all surfaces are rough from weathering. 102 by 84mm, 49mm thick.

HF413 ditch, H(748), SF166. Triangular fragment of burr limestone, probably from Purbeck, Dorset; all surfaces are rough from weathering. Possibly a fragment of a grave marker. 170 by 160mm, 52mm thick.

HF581 pit, H(890), SF136. Iron strip fragment. Length 30mm, width 20mm. **H(889), SF149.** Fragment of dense vesicular lava(?) with slag-like appearance but not magnetic. No worked surfaces. 58 by 38 by 22mm.

HF631 ditch, H(943), SF153. Roman tile counter with roughly-shaped but abraded edge. 51mm; 16mm thick.

Unstratified, H(298), SF38. Copper-alloy Aucissa brooch with traces of white-metal plating surviving in some areas, including on the rolled-forward head. The hinged pin is missing but parts of the iron axial bar remain. The edges of the bow are also missing. The raised central design of knurled ridges on each side of a wavy line is flanked by concave mouldings. The multiple elements of the tapering foot are separated by transverse beaded ridges. The catchplate is solid and missing most of the edge. Length 67mm. Date: AD 43-60/1.

Modern finds

L1 machined topsoil, H(1) Fragment of colourless bottle glass. 24 by 14mm. Modern. **H(2), SF75.** Copper-alloy rectangular belt-buckle, tongue missing. Length 26mm, width 34 mm. Early 20th century. **H(2), SF76.** Copper-alloy rectangular belt-buckle, tongue missing. Length 25mm, width 27mm. Early 20th century.

L4 cleaning over layer, H(10), SF77. Iron shell point. Length 55mm; diameter 17mm. Early 20th century.

Unstratified, SF78. Iron horseshoe with the stumps of two calkins on either side of the toe. Length 142mm, width 130mm. Modern.

6.3 Roman textile remains on coins from inhumation HF337 by *Penelope Walton Rogers*

Catalogue

HF337.4 H(673), SF85a&b (textile on coins HF337.2-3)

In flat patches on both outer faces and curving tightly around sides, largest area 17 x 7mm, mineralised textile, mostly surviving as casts in the corrosion products. The weave has a much higher count in one system than the other, 24/Z x 10/Z threads per cm, and the denser threads mostly cover the wide-spaced ones.

HF337.5 H(672), SF86 (textile on coin HF337.1)

In flat patches on both faces and curving tightly around sides, largest area 26 x 23mm, mineralised textile, mostly surviving as casts in the corrosion products, but with some intact fibres still present. The weave is as HF337.4, with a thread-count of 24-28/Z x 10/Z per cm.

Fibres (HF337.5)

Fibres extracted from the textile on SF86 were mounted for microscopy with a transmitted-light (optical) microscope at x100-x400 magnification. The fibres were mostly mineral casts, 20-32 microns diameter, with fragments of some coarser fibres present. A clear area of scale pattern, irregular mosaic with smooth margins, was visible on one fibre. On two of the fragments, remains of a lattice medulla, 50 microns wide, were observed. This is wool from a primitive breed of sheep.

Discussion

Coins HF337.1-3 lay close together at the east end of the grave (Fig 42) and appear to have been enclosed in the same textile. Although the textile has been preserved only in patches, the manner in which it lies flat against the metal and curves tightly around the edges suggests that the coins were deliberately wrapped, one as a pair and the other as a singleton.

The unequal count in warp and weft indicates that this is either a decorative weft-faced band (tapestry weave) within a garment such as a tunic or mantle, or a warp-faced band of the sort previously called 'girdles'. After comparing thread-counts with known examples, the technical details proved to match the characteristics of the five 'girdles' excavated at late 1st- and early 2nd-century *Vindolanda*, Northumberland, which had counts of 24-28/Z x 9-10/Z per cm (Wild 1977, No's 1, 2, 13, 15 & 17). One of these was 48 mm wide, one 68 mm and the other three 60 mm wide, selvedge-to-selvedge. Several more bands of this nature have been recovered from later excavations at *Vindolanda* and it now seems less certain that they were all girdles (J P Wild pers.comm.).

Seven different tabby weaves were recovered from six graves in the earlier excavation at the Butt Road cemetery (Wild 1983). One particularly fine piece proved to be silk, but the fibres of the other textiles were too heavily mineralised for identification. In terms of thread-count, none of them was exactly comparable with the present example. Three, one from Grave 15 and two from Grave 69, were preserved by association with corroding coins, although in those instances the coins had been attached to armlets (Wild 1983, 147).

6.4 Cremation and inhumation material with additional animal bone by *Julie Curl* (Appendix 4)

Methodology

A total of 204 separate contexts produced human bone which was submitted for recording and analysis, and were recorded following McKinley, 2000 and McKinley, 2004. One hundred and thirty-nine of these produced cremated human bone from 54 cremation burials, 51 pits containing pyre debris, four disturbed burial features, one bustum and one pyre, plus cremated bone from 28 contexts which was residual in that context (18 from later

inhumations, ten from later pits, postholes and ditches). Sixty-five produced human bone from 60 inhumations and five later contexts where the bone was residual in that context.

The contents of the cremations were dry-sieved through a stack of 10, 5, 2 and 1mm sized mesh to ensure maximum recovery and assess the degree of fragmentation. Fragments measuring over 5mm were manually separated for analysis, those below 2mm were scanned, but not fully sorted and examined in greater depth for this report. Due to the condition of some of the assemblage, including dust and mould growth on some inhumations, recording was carried out as a paper record in a well ventilated area away from a computer. Burnt material was recorded onto the cremation recording sheet and inhumation material onto the human bone recording sheets and then later transferred to a computer record for analysis. Summary catalogues including feature weights and feature counts for the cremations, inhumation and faunal remains are available in Appendix 4 and full catalogues (with additional counts) are available in the digital archive. As the bulk of the cremations are quite poorly preserved, all are catalogued Appendix 4a. The better preserved or ageable and sexable remains are further listed at the end of the cremation text.

Overall quantification, provenance and preservation

Cremations

One hundred and thirty-nine contexts produced cremated human bone from 54 cremation burials, 51 pits containing pyre debris, four disturbed burial features, one bustum and one pyre, and 28 later features in which the bone was residual (18 from later inhumations, ten from later pits, postholes and ditches). Where recovered from cremation burials many were further divided into bags from individual spits. The burnt bone in the assemblage amounted to 32,233kg and consisted of a total of 25,908 pieces. Quantification for the features containing burnt bone is presented in Table 24. As Table 24 shows, three quarters of the burnt bone (74% by weight, 75% by count) came from urned burials.

The cremations in this assemblage are generally small and some in a poor state of preservation. A minority of cremations included some largely unburnt bone and substantial fragments.

Totals	Description of features producing burnt bone							Totals
	Urned cremation	Unurned crem	Pyre debris pit	Bustum	Pyre pit	Disturbed crem	Residual	
Total weights	23,896g	1849g	2172g	119g	166g	66g	3965g	32,233g
% weight	74.1%	5.7%	6.7%	0.4%	0.5%	0.2%	12.3%	
Total counts	19,422	2828	2746	48	85	50	729	25,908
% count	75%	10%	11%	0.2%	0.4%	0.2%	3%	

Table 24 Quantifications by weights and counts for features producing burnt bone.

Inhumations

Sixty inhumations, most consisting of multiple bags divided into skeletal divisions for lifting and processing where possible. The inhumation material amounted to 20,738kg of bone, consisting of 2772 pieces. Some inhumations were complete burials, while many were part of

a burial, such as lower limbs or even just a few fragments, where the rest of the skeleton had completely degraded or where the skeleton had been disturbed by later interments.

Inhumations were generally in a very poor state of preservation and bones are fragile and many became heavily fragmented on lifting. Inhumation burials varied, with some arrangements of nails in the features suggesting coffins. Many included grave goods, ranging from hobnails to pots and occasional coins.

Cremation analysis results and discussion

Size of Cremations

The cremated material from this assemblage varied in weight from 1g to 2005g. The size of a cremation depends on the individual (age, sex, body mass, body fat, bone density), maintenance of the pyre, the extent of bone recovery from the pyre site and during excavation, as well as on the rate of bone preservation (McKinley, 1993). Conditions at the time of the cremation, such as very damp weather, would also have an influence.

The majority of the cremations in this assemblage were small, with most below 200g and only twenty of the features producing a total of 500g or more. The weights for the cremations in this assemblage are generally on the low end of the weight range in comparison to other archaeological cremations (range: 57 – 3000g) (McKinley, 2000) and substantially incomplete in comparison to a modern cremation (1000 – 3600g) (McKinley, 2000),

Fragmentation

The fragmentation of bone resulting from the cremation process may be increased by funerary practices such as raking and tending of the pyre, collection of bone at the pyre site, deliberate crushing prior to burial, as well as a result of post-depositional processes, excavation and processing (McKinley, 1989).

There is notable variation in fragment size with the largest fragment measuring 130mm, although the average greater lengths were approximately 40mm.

The urned cremations HF182, fill (419) and HF214, fill (540) both produced several fragments of around 100mm, with maximums of 120mm for HF214 and 130mm for HF182. Both of these cremations produced bone that showed a range of colour and burning, from unburnt pieces to fully oxidised white fragments. The variation in burning and the remains of unburnt bone would have led to better preservation. These cremations appear not to have undergone much, if any, crushing.

Many of the remains showed a greater fragmentation, which is likely to be due to one or more factors such as raking, crushing and disturbance. Generally the cremations interred within an urn underwent less fragmentation than those without that protection.

The degree of bone fragmentation is what is generally seen in archaeological cremations where an average of 50% of bone fragments are over 10 mm in size (McKinley, 1994). The amount of larger pieces is likely to be due to several factors. Some of the cremations were not fully burnt, resulting in larger fragments. Many of the cremations had been collected and buried in urns, which can significantly increase the chances of preservation and reduce post-burial damage, fragmentation and decay. Many of the collections of burnt bone were small and in poor condition. Poor preservation was noted across the assemblage for the bone and undoubtedly the burnt bone underwent some degradation once buried.

Colour

The colour of cremated bone depends on a range of factors including the maximum temperature reached, the length of the cremation process, the type and amount of fuel, the quantity of oxygen, the amount of body fat as well as on the degree of uniformity of exposure to the heat across the body. A correlation has been found between the temperature attained

and colour changes. Cremated bone can exhibit a large range of heat-induced colour variation from normal coloured (unburnt), to black (charred: c.300°C), through hues of blue and grey (incompletely incinerated: up to c.600°) to fully oxidised white (> c.600°C) (McKinley, 2004).

A good deal of the bone in this assemblage was fully oxidised i.e. exposed to a temperature in excess of c.600°C. Quite a few fragments in several assemblages retained some typical brown colour of unburnt bone, which might suggest these fragments were perhaps close to the edge of the cremation, the cremation process was adversely affected by weather or other factors or there were residual remains in the final deposit.

The urned cremations HF182, fill (419) and HF214, fill (540) produced bone with a wide range of colour, with several fragments unburnt and others fully burnt to white. The number and size of the pieces of unburnt bone in HF182 and HF214 would suggest an inefficient cremation, perhaps due to the lack of tending or even over-raking (and moving some bone away from heat) or maybe adverse weather conditions during the burning of these individuals.

Surface Changes

Surface changes such as warping, cracking and fissuring were noted throughout. These are characteristics of cremated bone and are produced during the process of dehydration undergone by bone exposed to heat. The pattern of heat-induced bone changes in colour and texture can be exploited to infer the technological aspects of the ritual, the condition of the body at the time when the cremation process took place and the nature of post-depositional disturbance (Shipman et al.1984).

Elements identified during the cremations analysis

Throughout the assemblage the main identifiable (and better preserved) elements were the more robust limbs, the femurs and tibias in particular. Skull fragments were frequently identified, perhaps as extremities might undergo less burning. As with the skull, the hand and foot bones were generally better preserved when they were recovered, although few cremations had these small elements surviving.

Pathologies seen in the cremated remains

Since cremation burials are by nature both fragmentary, distorted and not inclusive of the total cremated skeletal remains, pathological analysis and interpretation is severely restricted.

Cremations discussion

Generally many the cremations recovered from this site were smaller than the average sizes of archaeological cremations that have a range of 57 – 3000 g (McKinley, 2000). The overall average of the bone from the cremation burials at this site is 179.3g, with a range of 1g to 2005g. The average weight at this site is low compared to many other Roman sites, such as at Scole (McKinley, 2014) where the average weight was 489.4g, (range 32.8g – 1371.2g), or at St Albans (McKinley, 1993) where the average was 899.6g (range 71.8-1447.2g) or London (McKinley, 1995) with the average of 845.0g (range 57.3g – 1713.7g). However, while the average weight from this site is low and the minimum weight is also low, the maximum weight at GAL.H. (at 2005g) is higher than the other Roman sites, although this might be partly due to these being urned cremations which included some unburnt bone.

Archaeological cremation burials are essentially 'token' deposits as part of the burial ritual and it is clear that not all the cremated bone is collected from the pyre for burial. Modern cremations, where there is a full recovery of the burnt material, produced around 1000 – 3600g (McKinley, 2000), which might suggest the collection of cremated material was poor, but the amount of ash produced and post-burial degradation and post-excavation and processing loss has to be taken into account. Internment in an urn might show a greater care generally and perhaps greater wealth and, as a result, the collection of the bone might be greater for such a burial.

Catalogue of cremations

All cremations are summarised in a table in Appendix 4a. The more identifiable cremations are listed in more detail below.

Cremation HF3 (11)

- Adult
- Small female
- Burning varies with more fully oxidised and white, warped and cracked. Some blue-grey, few black – grey. Some unburnt (skull)
- Cremation weight: 1642g
- Cremation count: 1467
- Greatest length of fragment: 116mm
- Elements: skull – frontal, nasal, orbit, sphenoid, zygomatic fragments, pelvic, humerus, ribs, thoracic, lumbar and cervical vertebrae clavicle, patella, talus, femur, scapula, tibia, radius/ulna, sacrum. Carpal and left proximal phalange (3rd).
- Femur head small, measuring 36mm in diameter, although shrinkage during burning must be allowed for.
- Sutures on frontal and parietal skull bones partly fused.
- Copper stains on several fragments of limb, thoracic vertebrae and lumbar vertebrae

Cremation HF83 (169)

- Juvenile
- Sex unknown (but large femur head, ?young male)
- Burning: Mostly white, warped and cracked, some unburnt fragments.
- Cremation weight: 502g
- Cremation count: 753
- Greatest length of fragment: 71mm
- Elements: Femur, clavicle, skull temporal, frontal, occipital and parietal fragments, ribs
- Femur head unfused, unfused proximal femur, unfused humerus, unfused sutures on skull.

Cremation HF182 (419)

- Adult
- Female
- Burning varies with most sandy white, some blue-grey, generally well burnt. Many warped and cracked pieces.
- Cremation weight: 2005g
- Cremation count: 783
- Greatest length of fragment: 130mm
- Elements: skull, axis and cervical vertebrae, femur, tibia, humerus, radius, ulna, lumbar vertebrae, ribs, pelvis.
- Femur head estimate diameter: <45mm (probably female)
- Pathology: Left pelvic acetabulum and left femur head show some arthritic changes and eburnation

Cremation HF214 (540)

- Teenager/Young Adult (some unfused bone)
- Burning low, much unburnt, some partly burnt, some fully oxidised.
- Cremation weight: 1325g
- Cremation count: 540
- Greatest length of fragment: 120mm
- Elements: skull frontal, lobes, parietal – unfused sutures. Unfused humerus, femur, tibia, vertebrae. Scapula, clavicle, pelvis, tarsals.

Cremation HF354

- Adult in main vessel, child in accessory vessel
- Cremation weight: 755g
- Cremation count: 523
- This cremation consists of the main vessel (713) and an accessory vessel (714). The main vessel contains an adult, possibly mature from the fusion of the sutures of the skull, the accessory vessel, inside the main vessel, contains some unfused bones that suggest the inclusion of a child with the adult.
- (713)
 - Adult
 - Burning varies from black and grey to white and sandy coloured
 - Elements: skull, cervical, lumbar, thoracic vertebrae, humerus, radius/ulna, femur, scapula, pelvis, ribs, talus
- (714)
 - Child/adolescent
 - Burning – some very white, some blue/grey
 - Elements present: fragments of skull (thin), frontal, parietal, occipital, zygomatic, thoracic and lumbar vertebrae, proximal tibia, small patella, femur

Inhumation analysis results and discussion

A total of 20,738g of human bone, consisting of 2772 elements, was recovered from 60 inhumation burials and five other features (as residual finds). Of the 60 inhumations, one contained two inhumations and another also contained residual bone from an earlier disturbed inhumation. Where the skeletons were complete, most were in the supine position. Coffins are indicated for some of the burials by the presence of nails. Further nails were sometimes seen around the feet, indicating hobnail boots, other finds in the graves included ceramics, glass and coins.

The inhumations varied in preservation with some elements in reasonable condition to quite poor preservation and others highly fragmented, worn and eroded. Many graves were identified that produced no surviving bone at all.

While several of the skeletons showed a variety of conditions, there were no clear causes of death with any of the surviving skeletons. The poor preservation of much of the bone in the inhumation assemblage would have undoubtedly destroyed some evidence of disease and injury and those surviving are a relatively small example of the population buried at this site.

Sex and stature

Of the sixty-five contexts producing human bone from a minimum of 67 individuals, only twelve could be identified to sex with certainty and a further six skeletons were identified as ?male or ?female. A total of 73% of the individuals were recorded as of uncertain sex due to poor preservation. Quantification of inhumations identified to sex is presented in Table 25.

Inhumations Sex and number of individuals identified to sex				
Male	Female	?Male	?Female	Uncertain
11	2	2	4	48

Table 25 Number of inhumations identified to sex.

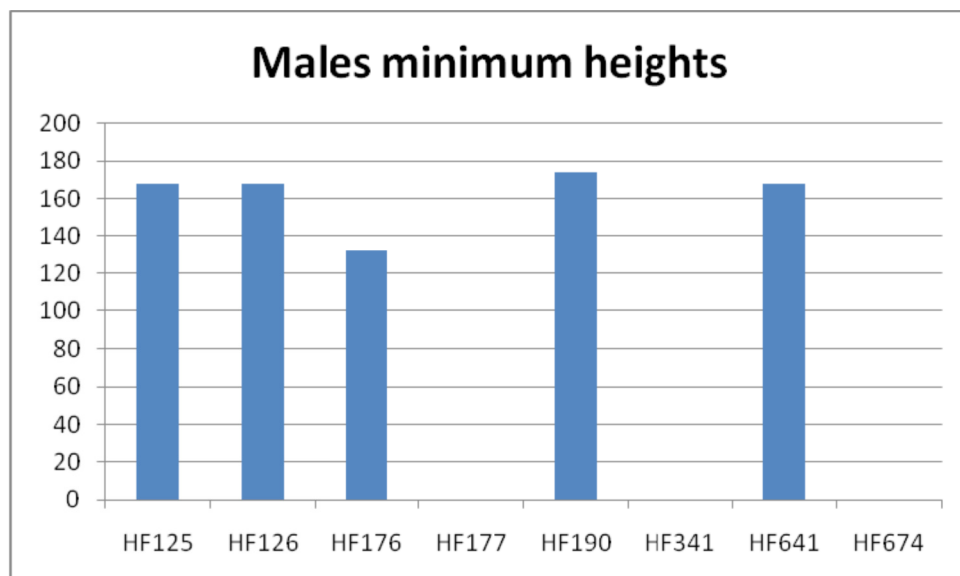
In most of the better preserved inhumations, the femur (a strong and robust bone) was generally the best preserved and able to provide some metrical data for sexing skeletons and providing an estimation of stature. Some skeletons provided additional measurements from tibias, one humerus and one pelvis. Table 26 lists the metrical data from post-cranial elements

from the inhumations and estimated height ranges and Graphs 1 and 2 show the minimum and maximum height ranges calculated.

Ctx/Grave	Fill	Element	Side	Sex	Fusion	Greater length	Acet.	Fe head	Comments	Est Height min	Est Height max
HF125	488	Femur	l	M	f	470		51		168	176.5
HF125	488	Femur	r	M	f	465		51			
HF125	488	Tibia	l	M	f	390					
HF125	488	Humerus	l	M	f	330					
HF126	468	Femur	r	M	f	460		49		168	176
HF126	468	Tibia	r	M	f	360					
HF176	349	Femur	r	M	f	305				132	140
HF177	445	Femur	r	M	f			54			
HF190	497	Femur	l	M	f	485		55		174	181
HF341	699	Femur	r	M	f			49			
HF641	1007	Femur	r	M	f	460				168	176
HF674	1039	Pelvis	r	M	f		63		large		

Table 26 Skeletons providing post-cranial metrical data for sexing and stature, including estimated height ranges. Measurements in millimetres.

All of the skeletons providing post-cranial metrical data were males, as was determined from the measurements of the femur heads, where a measurement of 46.5mm to 47.5mm is ?male and measurements over 47.5mm are male. Sizes and robustness of the femur heads varied from 49mm to 55mm, all well within the range for males. In addition, a pelvic bone provided a measurement of 63mm for the acetabulum, suggesting a large femur head for this skeleton.

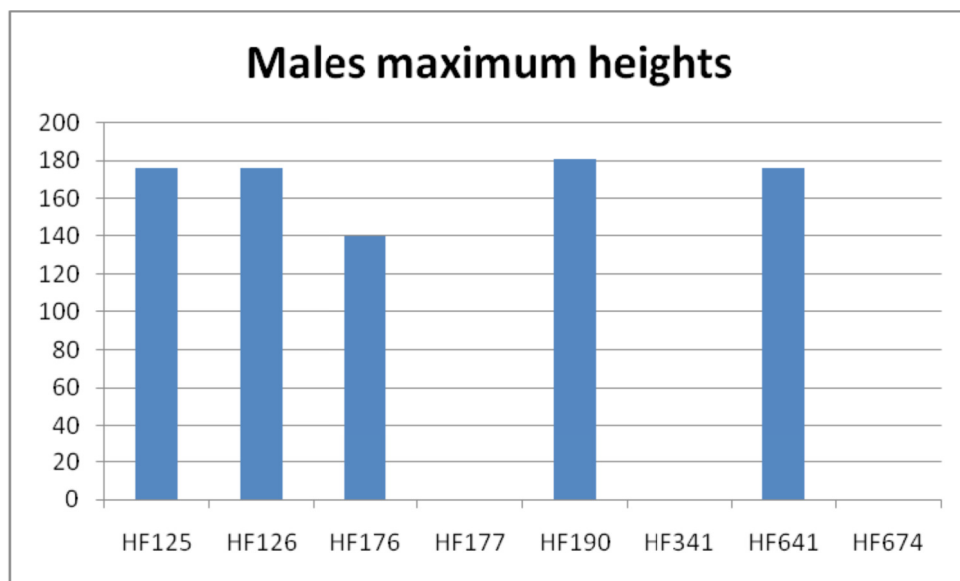


Graph 1 Calculations for minimum heights from metrical data obtained from long bones. Where multiple measurements were available a mean height was calculated.

The heights of the measurable skeletons also showed a notable variation. Minimum and maximum heights were calculated for measurements from femurs, tibias and a humerus. Where there were multiple measurements for a skeleton, the average was calculated from the measurements and height estimates produced.

Average heights for the men in the group were in the range of 168cm to 176cm or five feet six inches to five feet nine inches. An exception was the male from HF190 who was notably larger at approximately 174cm to 181cm or a minimum of five feet eight inches to a maximum of almost six feet tall. In contrast to this large man, the remains from HF176 were from a small adult male. The adult skeleton with fused elements from HF176 produced metrical data that indicated a height range of 132cm to 140cm or four feet two inches to four feet five inches. It is possible the skeleton in HF176 was suffering a form of dwarfism and this is discussed further below (*Metabolic and endocrine disease*).

Skeleton HF674 had limited elements for measuring for stature, but the pelvis acetabulum measured 63mm, suggesting a particularly large and robust man.



Graph 2 Calculations for maximum heights from metrical data obtained from long bones. Where multiple measurements were available, a mean height was calculated.

None of the female skeletons produced any sufficiently well preserved bone that allowed metrical data for estimation of stature. However, some observations were noted, with the skeleton from HF96, a likely female, being of short stature and of light build; this skeleton is also discussed further below (*Ethnicity*).

When comparing the heights of the individuals in this assemblage with other sites of a Roman date range there are some notable differences. Excavations at Hucclecote, Gloucestershire (Waldron, 2003) produced one measurable male of 153cm, the measurable females in the assemblage ranged from 153cm to 163cm. So the men at this Garrison site are generally taller.

With other sites in Colchester, those at Butt Road (Pinter-Bellows in Crummy, Crummy and Crossan, 1993) the heights of women ranged from 141cm to 171cm, with a mean of 156cm; the males ranged from 154cm to 190cm, with a mean of 167cm. Comparing the overall height range from GAL H, the range is similar.

The male in the grave HF176 is notably small compared to other men in this and other assemblages. There is the possibility of hypopituitarism (a deficiency in the growth hormone leading to dwarfism) with skeleton HF176 (see *Metabolic and endocrine disease*). An example of this condition was seen in archaeological material from Gloucester (Roberts, 1988), with a fourth century AD cemetery female skeleton whose stature was estimated at 131.2cm (notably shorter than the mean of 153cm for other females in the assemblage), other bone features suggested the Gloucester female had been affected by an infection. The poor condition of the majority of the skeleton from HF176 makes full interpretation of the cause of the shortness impossible.

Ages

Skeletal material was aged from a variety of features, including bone fusion, skull suture fusion and tooth eruption and wear. Table 27 shows the number of skeletons in each age group.

Age groups and number of inhumations assigned to group						
Mature	Adult	Young Adult	Sub-Adult	Juvenile	?Adult	Uncertain
3	27	3	1	3	4	26

Table 27 Number of individuals identified to age group.

More of the skeletons in this assemblage were of an adult age range, generally between 20-25 years and 40-45 years. A small number were older than c.45. Three juveniles were seen, including the better preserved HF114, who was aged at approximately 9-10 years old and HF549 aged at approximately 8-10 years. No foetal remains were identified from this assemblage, although given the poor preservation of much of this assemblage, the lack of young juveniles is not surprising.

Ethnicity

Most of the skeletons from this assemblage showed features that are typically white.

One exception was the probable female from HF96 which showed some features of Negroid characteristics, particularly with a dense, ivory-like appearance to the skull; overall, the individual might be classed as perhaps of mixed-race. This skeleton was also of short stature and a light build. She is aged at approximately 20-25 and has the third molars fully erupted but in low wear. While the skeleton HF96 appears of short stature, which could suggest a low production of the growth hormone from the pituitary gland, which might have led to pituitary dwarfism, but without measurable bones that could determine the height of the individual, this could not be explored further. The skeleton in HF96 also showed *cribra orbitalia* in both orbits, indicating anaemia.

Trauma

The adult HF641 showed a healed break or fracture on the left tibia, the bone had broken on the proximal shaft and the bone appears to be misaligned and not set in the correct anatomical position while healing. The mature male (of 50+ years) in HF674 had a healed break or fracture of the upper shaft of the right humerus. It is not possible to determine if these injuries were as a result of inter-personal trauma or accidents.

Disease and pathologies

Back problems

The male in HF125, aged at approximately 25 years and with a height of around 176cm, had femurs of different lengths, the left femur measuring 5cm more than the right. This difference in lengths would have probably been sufficient to cause a limp and probably subsequent adverse effects on at least the back. The thoracic and lumbar vertebrae seen from this skeleton did show degenerative wear and small exostoses; HF125 would have certainly

suffered with back pain and discomfort. The back problems might have been partly due to occupation, with lifting or strain on the back.

Degenerative wear was seen on the thoracic and lumbar vertebrae of the male HF126.

Degenerative wear was seen on the lumbar vertebrae from the male HF176, this wear may have been on the higher vertebrae, but they were not present.

Degenerative wear was recorded on the lumbar vertebrae from HF177. In addition, Schmorl's nodes were seen on the lumbar vertebrae of HF177, where the discs contents exert pressure on the surfaces of the vertebral body.

Degenerative wear was seen on the cervical and lumbar vertebrae older (40 years+) male HF190, the same individual also shows arthritis on the left hand and leg, suggesting he had suffered a good deal of discomfort and pain. HF190 was the tallest individual measured (at between 174 to 181cm) and his greater height could have played a part in his suffering, as could occupational issues.

Foot and hand problems

HF125 also showed a lesion on a proximal metatarsal in the left foot and an ossified haematoma on the second metatarsal of the right foot and some arthritic changes in this foot. The lesion can be attributed to osteochondritis dissecans, which is possibly caused by a trauma, with several cases of this seen at Butt Road, Colchester (Pinter-Bellows in Crummy, Crummy and Crossan, 1993).

Slight arthritic problems were seen on the left metacarpal 1 of HF177.

Arthritis was noted on the 3rd and 4th metacarpals and 3rd and 4th proximal phalanges of the older male HF190, who was aged at approximately 40+ years old.

Legs and knees

The older male HF190 showed arthritis on the proximal left femur, the left femur head and on the left patella.

Exostoses (new bone at ligament/tendon insertions), pitting and other destructive lesions may be caused and connected to a large number of conditions and it is not always possible to suggest the aetiology of particular lesions.

Dental problems

Small cavities were seen on the upper right second molar of the c 25 year old male from HF125.

Uneven wear was seen on the lower right incisors 1, 2 and 3 of the adult male HF126, aged at approximately 25-35 years old. The tooth wear left a sloping of the teeth on the occlusal surface, higher on the lingual (rear) down to the labial side (front), such wear might suggest the man had used his teeth for cutting.

HF549, a juvenile skeleton of around 8-10 years old, had the upper left incisor 1 erupting through the palate behind the upper left incisor 2. This child also showed lines on the front teeth that suggest enamel hypoplasia; this occurs when the teeth are developing and suggest either nutritional deficiencies or an illness, such as measles, when young (Roberts, 1995). The child in HF549 also showed a small cavity in the lower left first molar, suggesting access to sweet foods and perhaps poor dental hygiene.

The mature male (of 50+ years) in HF674 had lost several teeth in the lower jaw and the mandible showed healing and remodelling.

Several skeletons had some calculus, although no particularly heavy deposits, suggesting a reasonably healthy diet and level of dental hygiene.

Metabolic and endocrine disease

The possibility of hypopituitarism (a deficiency in the growth hormone leading to dwarfism) is seen with the skeleton HF176. This adult skeleton produced metrical data from the femur that indicates a height of 132cm to 140cm, which is notably shorter than others in the assemblage. Tumours, infection or injury to the pituitary gland and genetic factors can affect this abnormality and lead to a shorter stature and more gracile skeleton. An example of this condition was seen in archaeological material from Gloucester (Roberts, 1988), with a fourth century AD cemetery female skeleton whose stature was estimated at 131.2cm (notably shorter than the mean of 153cm for other females in the assemblage), other bone features suggested the Gloucester female had been affected by an infection.

The skeleton in HF96 showed *cribra orbitalia* in both orbits, indicating anaemia. HF96 is probably female and the causes for anaemia are greater than for men. HF96 could have suffered regular heavy bleeding; anaemia in women could be caused by fibroids in the womb and other tumours. Diet could of course be an issue, as could parasitic infections. Ethnicity might play a part for this skeleton, who may be of mixed race, if sickle-cell anaemia or Thalassaemia is the cause. Those from the Mediterranean, the Middle East and Far East showing a high frequency of Thalassaemia and high rates of those in Central and East African show sickle-cell. Determination of the type of anaemia is difficult as all anaemia's have similar effects on the skeleton.

HF660, a male of approximately 25-40 years, showed a thickening of the skull and some porosity that might be attributed to anaemia. In men, anaemia might be caused by a poor diet – one with too much grain, little meat, pulses or shellfish and low in vitamin C. Anaemia could also be caused by cancers, polyps or parasites.

Catalogue of better preserved inhumations

A summary catalogue of all inhumations can be found in Appendix 4b and a full catalogue is available in the digital archive.

HF96, (248) Inhumation

SK No	Other No's	Condition
HF96	(248)	Good (skull), poor (limbs)
Age	Age estimate	Sex
Adult, Young adult	20-25	Female
Completeness	Fragment/Element count	Weight (g)
incomplete	50	722
Associated with	Additional bone/other finds	
	Goose tibiotarsus and s/g sacrum in HF96, (262)	
Elements present		
Skull, mandible, humeri, femurs, tibiae, misc fragments		

Tooth record

Right	*	*	*	*	*	*	*	*	*	*	*	*	*	*	*	*	Left
Right	*	*	*	*	*	*	*	*	*	*	*	*	*	*	*	*	Left

Molar attrition scores:

	Right	M3	M2	M1	Left	M1	M2	M3
Maxilla		1/<1	1	2		2	1	1/<1
Mandible		1/<1	2	1/2		2	1	1/<1

Dental

Calculus	None
Hypoplasia	None
Periodontal disease	None
Cavities	None
Abscesses	None

Cranial indexes

Cranial index	
Cranial Length-Height index	
Mean Height index	
Total facial height	
Upper facial index	
Palatal index	
Nasal index	NH30
Orbital index	OH 29, OB 32

Trauma	
Pathologies	
Orbital pitting, anaemic	
Comments	
Biorbital Bd: 87, Symph.Ht: Flat forehead, dense and ivory texture to skull and sutures not fully fused <i>Appears to be a short, slightly built young woman of probable mixed race</i>	

HF114, (251) Inhumation

Age: Juvenile/c.9-10 years

Build: Robust

Elements: Left leg femur, misc, right leg femur and misc, pelvis, right arm radius/ulna and misc, skull fragments including right upper jaw, right mandible, ear bone.

Mandible tooth record (* = present)

Right	-	*nfe	*	*	-	-	-	-	-	-	-	-	-	-	-	-	Left
Right	8	7	6	5	4	3	2	1	1	2	3	4	5	6	7	8	Left

Molar attrition scores:

	Right	M3	M2	M1	Left	M1	M2	M3
Maxilla		ne	1	3				
Mandible		nfe	1	5				

HF125, (488) Inhumation

SK No	Other No's	Condition
HF125	(488)	Good, fragmented
Age	Age estimate	Sex
Adult	c.25 years	Male skull, mandible, femur measurements
Completeness	Fragment/Element count	Weight (g)
Almost complete	145	2754g
Associated with	Additional bone	Other finds
		None
Elements present		
Skull, mandible, left arm, left hand, right and left legs, left and right feet, patellas, pelvis,		

vertebrae,

Tooth record

		c															
Right	*	*	*						*	*	*	*	*	*	*	*	Left
Right	*	*	*	*	*						*	*	*	*	*	*	Left

Molar attrition scores:

	Right	M3	M2	M1	Left	M1	M2	M3
Maxilla		1	1-2	3		2-3	2	1
Mandible		1	1-2	2-3		2-3	1-2	1

Dental

Calculus	None
Hypoplasia	None
Periodontal disease	None
Cavities	Upper right 2 nd molar with small cavities
Abscesses	None

Cranial indexes

Cranial index	
Cranial Length-Height index	
Mean Height index	
Total facial height	
Upper facial index	
Palatal index	
Nasal index	
Orbital index	
Bigonial Bdth/W	121
Max bicondylar Bdth	83
Mandibular corpus L	26
Symph.Ht	31

Trauma

Pathologies

Right foot, 2nd MT has ossified haematoma and some arthritic changes.
 Left foot has small lesion on proximal metatarsal 1 articular surface.
 Lumbar vertebrae 3 and 4 with exostoses.
 Thoracic vertebrae 7 has exostoses
 All vertebrae show some degenerative wear.
 Small cavities on upper right 2nd molar

Comments

FEMUR GI: L:470mm, R:465mm; FE HEAD DIAM: L : 51mm, R:51mm
 TIB GI: L:390
 HU GI: L:330
 Robust jaw and wide chin but quite small teeth
 Femur head diameters well into range (>47.5) for male

Unfused suture on skull and low wear on teeth suggest and age of around 25 years.

Uneven femur lengths and foot pathologies may have resulted in a slight limp.
 Back problems, possibly occupational, but may also due to large size. Would have suffered with back discomfort.

Metrical data suggests height range of 168 to 176.5, so in the range of 5 feet 6 inches to 5 feet 9.5 inches, with more bones suggesting the greater height.

HF126, (468) Inhumation & disarticulated HSR (296, 297, 323)

SK No	Other No's	Condition
HF126	(468) and (296, 297, 323 'disarticulated')	Good, fragmented
Age	Age estimate	Sex
Adult	25-35	Male
Completeness	Fragment/Element count	Weight (g)
Fairly complete	125 skeleton 31 'disarticulated'	2727g SK weight 1011g 'disarticulated'
Associated with	Additional bone	Other finds
	Some disarticulated remains	Cu alloy coin, hobnails close to foot bones (wearing shoes)
Elements present		
Skeleton: Skull (left side) , mandible (left side), l + r arms and hands, l + r legs and feet, scaps, pelvic, vert, ribs, claws Disarticulated: right tibia, humerus and radius frags, pelvic frags, lumbar , vertebrae frags		

Tooth record

Right												*	*	*	*	Left
Right					iso	iso	*	*	*	*	*	*	*	*	ne	Left

Molar attrition scores:

	Right	M3	M2	M1	Left	M1	M2	M3
Maxilla						2	4	1
Mandible						4-5	2-3	ne

Cranial indexes

Cranial index	
Cranial Length-Height index	
Mean Height index	
Total facial height	
Upper facial index	
Palatal index	
Nasal index	
Orbital index	
Nasal ht	35
Orbit ht	33
Orbit Bdth	42
Max bicondylar Bdth	95
Mandibular corpus L	35
Mandible length	95
Ramus bd	35
Symph.Ht	30

Pathologies

Degenerative wear on thoracic and lumbar vertebrae

Comments

Right FEMUR GI: 460, FE Head DIAM: 49

Right TIBIA GL: 360

Strong cheek bones, pronounced bridge on nose.

Uneven wear on lower right incisors 3, 2 and 1 – sloping from top of teeth down to outer edge, possible cutting.

Metrical data suggests height range of 168 to 176, so in the range of 5 feet 6 inches to 5 feet 9 inches, with more bones suggesting the greater height.

HF176, (349) and 2nd skull (391), Inhumation

SK No	Other No's	Condition
HF176	349 (main skeleton) 391 (second skull)	Good –poor – fragile and fragmented
Age	Age estimate	Sex
349 – mature 391 – young adult	349 –C.40 years	349 – Male 391 - ?Female
Completeness	Fragment/Element count	Weight (g)
incomplete	118	2032g (inc 2nd skull)
Associated with	Additional bone	Other finds
Elements present		
349 – incomplete skull, clavicle fragment, radius, phalanges, 1 thoracic vertebrae, lumbar vertebrae, pelvis, sacrum, l and r femur/patella/tibias/fibias/calcanei/tali, cuboids/cune/metatarsals/phalages		
391 – incomplete skull only		

Trauma	None
Pathologies	
Degenerative wear on the lumbar vertebrae	
Comments	
349 – Male, sutures fused, but visible on skull. Skull has strong brow ridge. Metrical data from femur is GI305, which indicates a height range of 132 to 140cm or 5 feet 2 inches to 5 feet 5 inches.	
Skull fragments were in poor condition, but skeleton in grave appears to show a skull with a high forehead. Possibility of hypopituitarism (a deficiency in the growth hormone leading to dwarfism). Tumours, infection or injury to the pituitary gland and genetic factor can affect this abnormality and lead to a shorter stature and more gracile skeleton. The shorter lengths of bone are in proportion and this does not appear to be a disproportionate dwarfism, which would have suggested achondroplasia. Pituitary dwarfism is the most likely problem affecting HF176.	
391 – skull only, ?female. unfused sutures. Slightly raised area of growth above left eye and nasal area, ?healed trauma.	

HF177, (445) Inhumation

SK No	Other No's	Condition
HF177	(445)	Good, fragmented
Age	Age estimate	Sex
Adult	25-35 years	Male (mandible, pelvis and femur)
Completeness	Fragment/Element count	Weight (g)
Incomplete	134	1731g
Associated with	Additional bone	Other finds
		Fe object
Elements present		

Mandible, clavicle, humerus, metacarpals, ribs, thoracic and lumbar vertebrae, pelvis, sacrum, femurs, patella, tibiae, fibulas

Tooth record

Right																			Left
Right	*	*	*	missing	*	*	*	*											Left

Molar attrition scores:

	Right	M3	M2	M1	Left	M1	M2	M3
Maxilla								
Mandible		3	2	3				

Dental

Calculus	None
Hypoplasia	None
Periodontal disease	None
Cavities	None
Abscesses	None

Cranial indexes

Cranial index	
Cranial Length-Height index	
Mean Height index	
Total facial height	
Upper facial index	
Palatal index	
Nasal index	
Orbital index	
Bigonial Bdth/W	125
Max bicondylar Bdth	89
Mandibular corpus L	32
Mand.Ht	72
Symph.Ht	34

Trauma	None
Pathologies	
Slight arthritis on left metacarpal 1. Degenerative wear and Shmorl's nodes on lumbar vertebrae	
Comments	
FEMUR head DIAM: 54mm Robust jaw and squared broad chin.	

HF190, (497), Inhumation

SK No	Other No's	Condition
HF190	497	Good/frags
Age	Age estimate	Sex
Adult	40+	Male
Completeness	Fragment/Element count	Weight (g)
Incomplete	167	1312
Associated with	Additional bone	Other finds

Elements present	
Skull (frontal, parietal, orbit), hyoid, clavicle, carpals + phalanges, 1 cervical and 1 thoracic vertebrae, left femur, right patella, left and right tibias/calc/cub/talus/metatarsals/phalanges	
Trauma	None
Pathologies	
Arthritis on 3 + 4th mc, 3 + 4 th pph Arthritis on proximal femur/head and patella Degenerative wear on cervical and thoracic vertebrae	
Comments	
Femur GL = 485 Femur head diameter = 55mm Estimated height of 174 – 181cm/5 feet 8 inches to c.6 feet tall	

HF271, (593) and (585), Inhumation

SK No	Other No's	Condition
HF271	593 and 585	Poor
Age	Age estimate	Sex
Sub-adult	?<20years	uncertain
Completeness	Fragment/Element count	Weight (g)
incomplete	146	104
Associated with	Additional bone	Other finds
Elements present		
Skull/teeth, 1 ?radius fragment		

Tooth record

					iso							iso					
Right	ne	*	*	*	*								*	*	*	ne	Left
Right																	Left

Molar attrition scores:

	Right	M3	M2	M1	Left	M1	M2	M3
Maxilla		ne	1	1-2			1	
Mandible								

HF303, (631) and (632) Inhumation

SK No	Other No's	Condition
HF303	(631) and (632)	Poor, eroded
Age	Age estimate	Sex
Adult	25-35 years	?Female
Completeness	Fragment/Element count	Weight (g)
Incomplete	67	402
Associated with	Additional bone	Other finds
Elements present		
Skull fragments – part-fused, frontal and orbits, occipital bone and most of maxilla in (632) Misc fragments and possible sacrum and pelvic fragments in (631)		

Tooth record

					iso							iso					
Right	*	*	*	*	*							*	*	*	*	*	Left
Right																	Left

Molar attrition scores:

	Right	M3	M2	M1	Left	M1	M2	M3
Maxilla		1	3	4		4	3	1
Mandible								

HF341, (699), Inhumation

SK No	Other No's	Condition
HF341	(699)	Fragile
Age	Age estimate	Sex
Adult	?20-25 years	Male
Completeness	Fragment/Element count	Weight (g)
Incomplete	77	377
Associated with	Additional bone	Other finds
Elements present		
Skull, left arm, right arm, right leg, left leg		

Tooth record

Right	*	*	*									*	*	*	*		Left
Right																	Left

Molar attrition scores:

	Right	M3	M2	M1	Left	M1	M2	M3
Maxilla		0-1	1	2			1	1
Mandible								

Pathologies

None

Comments

Femur head diameter: 49mm – within range for male

HF549, (872), Inhumation

SK No	Other No's	Condition
HF549	(872)	fragmented
Age	Age estimate	Sex
Juvenile	8-10 years	uncertain
Completeness	Fragment/Element count	Weight (g)
incomplete	77	325g
Associated with	Additional bone	Other finds
Elements present		
Frontal and parietal skull fragments, upper jaw frags, mandible with teeth		

Tooth record

										irregular							
Right	ne	*	*											*	*	ne	Left
Right	ne	*	*	*	*	*	ne	*	*	ne	*	*	*	*	*	ne	Left
														c			

Molar attrition scores:

	Right	M3	M2	M1	Left	M1	M2	M3
Maxilla		ne	1	1		1	1	ne
Mandible		ne	1	1		1	1	ne

Dental

Calculus	None
Hypoplasia	Probable hypoplasia, lines seen on front teeth
Periodontal disease	None
Cavities	Lower left molar 1 has small cavity
Abscesses	None
	Irregular eruption of upper left incisor 1- erupted through palette behind upper left incisor 2.

HF641, (1007), Inhumation

SK No	Other No's	Condition
HF641	(1007)	Fragile, Reasonable
Age	Age estimate	Sex
Adult		Male
Completeness	Fragment/Element count	Weight (g)
Incomplete	65	1379
Associated with	Additional bone	Other finds
Elements present		
Skull, humerus, femur, patella, tibiae, calcaneus L and R, left cuboid, right metatarsals, right phalange		

Trauma	Healed break on tibia
Pathologies	
Healed break on left tibia, broken on proximal shaft and misaligned heal.	
Comments	
Femur GL = 460 Estimated height in range of 168-176cm, 5 feet 6 inches to 5 feet 9 inches	

HF660, (995) Inhumation

SK No	Other No's	Condition
HF660	(995)	fair
Age	Age estimate	Sex
Adult	25-40	Male
Completeness	Fragment/Element count	Weight (g)
Incomplete	40	238
Associated with	Additional bone	Other finds
Elements present		
Skull - frontal bone, parietal fragments, skull fragments, upper jaw and some teeth, mandible, isolated molar		

Tooth record

Right	*	*	*	*													Left
Right	iso	*	*	*													Left

Molar attrition scores:

	Right	M3	M2	M1	Left	M1	M2	M3
Maxilla		1-2	2-3	3				
Mandible		1 (isolated)	3	3-4				

Trauma	None
Pathologies	
Possible anaemia from thickness of skull	
Comments	
Skull very worn, dirty and with mould growth (?from bagging while damp)	
Robust mandible – male	
Skull quite thick, some porosity.	

HF666, (1030) Inhumation

SK No	Other No's	Condition
HF666	(1030)	Fragile, fragmented
Age	Age estimate	Sex
Adult		?Female
Completeness	Fragment/Element count	Weight (g)
Incomplete	53	104
Associated with	Additional bone	Other finds
Elements present		
Skull, fragments of left leg (upper and lower), fragments of right leg (upper and lower), skull		

Trauma	None
Pathologies	
Comments	
No teeth present	
Poor condition	
No skeleton sheet and does not appear on context/finds list	
Photo seen – possible hair ring/loop to rear of skull? Further ring near foot?	
Appears to be relatively short area for pelvis/spine/scaps (which are missing)	

HF674, (1039) Inhumation

SK No	Other No's	Condition
HF674	(1039), (1034)	Far, eroded, fragmented
Age	Age estimate	Sex
Adult	Mature/50+	Male
Completeness	Fragment/Element count	Weight (g)
Incomplete	28	414
Associated with	Additional bone	Other finds
Elements present		
Mandible, pelvis, right and left humerus, teeth, left and right tib, fibs, radius, 1 right metacarpal		

fragment

Tooth record

Right																		Left
Right	*(iso)					*	*	*	*							*	*	Left

Molar attrition scores:

	Right	M3	M2	M1	Left	M1	M2	M3
Maxilla								
Mandible		5+					5+	5+

Dental

Calculus	present
Hypoplasia	None
Periodontal disease	Healed infections, remodelling of mandible
Cavities	None
Abscesses	Molars lost and remodelling of mandible

Trauma	None
--------	------

Pathologies
Teeth lost and remodelled mandible
Misalignment of right humerus – healed break of mid-upper shaft
Comments
Very large acetabulum on right pelvic fragment of 63mm - male

Conclusions

The inhumations in this assemblage were generally in poor condition and many did not survive. Those that did produce bone were fragile and had undergone some post burial and, understandably, excavation and processing degradation.

Those burials that did have a better survival produced more identifiable males, perhaps due to the male skeleton generally being more robust and perhaps more likely to suffer after burial. The men in this assemblage were generally of average heights, with the exception of HF176, who may have suffered an infection while young, which might have affected his growth. The ages of the men varied, with a probable male teenager, most men in the range of 20-40 years and at least one mature male of 50 years or more.

The women in the assemblage were also of average height range. The female in HF96 was of short and graceful stature, but not exceptional for women.

Pathologies suggest a fairly healthy population. There appear to be relatively few dental pathologies, with the exception of the mature male HF674, who had lost several teeth. The loss of teeth with HF674 may be age related, but could also suggest that he had perhaps had a richer diet than some others. There are a few arthritis sufferers, which is to be expected in any population. Some arthritis sufferers are quite young, but age for arthritic problems can vary a good deal and it might indicate stress-related, wear or injury problems.

Few children were present in the assemblage, but given the poor preservation of the adult bone, this is not surprising. The lack of neonatal or prenatal bone is also expected as the bone survival is poor and in the Roman period such young infants are often buried elsewhere and away from the main cemeteries. Romans did not bury their infants in cemeteries with adults, but within settlement areas in pits and ditches, under floors or eaves, in enclosures or

sometimes in special infant cemeteries (Gurney, 1998), so the absence from this cemetery is not surprising.

There is a single skeleton (HF96) that suggests mixed race, possibly with some African ancestry. Given the diversity in the Roman period and travelling of people from all parts of the Roman empire, those of mixed ancestry would be expected. A similar mixed race individual was recorded at Napier Road in Colchester (Curl, 2014).

6.5 Animal bone by Pip Parmenter

Introduction

Thirty-five fragments of animal bone, including teeth, were hand recovered from fifteen archaeological features. Most of the bone is of poor preservation and is generally highly fragmented and eroded.

Method

Bones were identified and recorded to species and element when possible. The category sheep/goat has been used due to the difficulties in clearly identifying the species sheep (*Ovis* sp.) or goat (*Capra* sp.). Fragments that could not be identified to a particular species were recorded under the categories of 'large' (probably cattle, large deer, and horse), and 'small' (probably sheep/goat, pig and dog). Fusion evidence was recorded where it was visible. The unidentifiable bone fragments were recorded. Evidence of bone processing including butchery, fracture, burning, and gnawing was recorded where visible, as was any bone pathology.

Results

Species	NISP
Cattle	19
Sheep/goat	3
Pig	2
Large sized	1
Unidentifiable	10
Total	32

Table 28 Number of identified specimens/fragments (NISP)

Sixteen features contained just one bone each. HF18, HF96, HF145, HF152 and HF653 each contained one tooth or tooth fragment. All but the example from HF152 were cattle teeth, and the example from HF152 was a pig incisor. The molar present in HF96 was indicative of an age at death of the animal of about 6/8 years. This was the only of these molars that was complete enough and of good enough preservation to allow for an estimate of the age of death.

Of the remaining isolated bones, four were cattle, three were sheep and one was large ungulate size, but was probably also cattle. The cattle/large ungulate bones were two scapulae (HF360/361 and HF557), a mandible (HF660) and two humeri (HF651 and HF75). The large ungulate humerus had a large chop mark on its medial side and further butchery marks near its proximal end. It was the only bone recovered from the site to have significant evidence of butchery. The mandible recovered from HF660 was highly fragmented but included three molars. These were complete enough to suggest an age at death of around 6/8 years.

The sheep elements included a tibia (HF551), a metacarpal (HF633) and a metatarsal (HF664). All of these were only partial and none of these appeared to have been butchered.

HF399

HF399 contained six cattle elements and one pig element. Most notably was the deposit of an almost complete bucrania including two horncores within this feature. The bucrania was broken so cleanly down its centre that it seems probable that this was deliberate. A highly fragmented mandible was also present, and a complete M3 associated with this indicate a date at death of 8/10 years for the animal. It cannot be said whether or not the mandible and crania were associated. Other cattle elements from this feature included a humerus, femur, scapula and spine from a thoracic vertebra. The femur was unfused, so derived from a young animal. It had a chop mark on its shaft. The scapula had been heavily gnawed suggesting that at least some of the material deposited had been accessible to dogs. The pig element was a large fragment of maxilla complete with three largely unworn premolars.

HF581

A single cattle metacarpal and a cattle M2 were present in this feature. The metacarpal had no evidence of butchery.

Discussion

The animal bone recovered during excavations at the Garrison Area H is limited by its quantity and condition. It is, for the most part unremarkable, consisting of only the three primary domesticates (cattle, pig and sheep/goat). Butchery marks in the form of chop and cut marks are not common, but where evident are indicative of general processing of the carcasses. Feature HF399 was interesting for the deposition of an almost complete bucrania (possibly including associated mandible). It is often perceived that the deposition of crania is associated with significant or ritual activity and while this cannot be verified or ruled out within this context, it is equally possible that this crania was simply the result of primary butchery (the removal of the extremities of the animal).

Note from Julie Curl (animal bone present amongst the human bone assemblage)

Seven features produced animal bone remains with the burnt bone or inhumations. Inhumation HF96 produced burnt bone that consisted of a sheep/goat sacrum, a goose tibiotarsus and a further probable sheep/goat fragment. Small amounts of cattle remains were seen in HF40, HF105, HF112 and HF627 with cattle molars and mandible fragments in F197. Equid metatarsal fragments were found in pit HF124. HF81 included a distal humerus from a sheep/goat.

It is quite possible that the animal bones in the graves are residual and simply remained in the soil used to fill the graves. Although animal bones in graves can represent food for the dead, with joints of meat included in the burial. Cheek meat is possible for the cattle mandible and this may have been a favourite meat of the young adult buried in HF197. The sheep/goat humerus in the grave HF81, fill (151) is a typical meat-bearing bone that would be expected as a food offering. Similarly, the goose and sheep/goat in HF96 may be from food.

Ditch HF399, sx7, produced an equid pelvic fragment, an equid distal phalange (hoof), and a large mammal shaft fragment (possibly equid).

6.6 Building material by Steve Benfield

Ceramic building material

A total of 479 pieces of ceramic building material (CBM) together weighing 77,384g was recovered during the excavation (Table 29). The great majority of this (at 95% by count and 98% by weight) is Roman, with only a small quantity of post-Roman pieces. In addition to the dated material there are two pieces (14g) not closely dated as either Roman or post-Roman. All of the CBM is listed and described by context in Appendix 5a.

Feature type	no	Wt g
<i>Busta</i>	3	59
Cremations	5	245
Pits with pyre debris	23	725
Ditches	96	18780
Graves	209	20624
Robbed foundation	81	31082
Pits	31	2816
Post-holes	17	2052
Stake-holes	1	5
Modern services	1	49

Table 29 Quantities of stratified CBM by feature type

Roman CBM

The Roman CBM totals 457 pieces with a combined weight of 76,361g. The average weight is 167 g. Apart from one small brick (discussed below) all of the CBM is broken pieces so that the only significant measurements recorded are thickness. Most of the pieces are in red/orange silty or sandy fabrics, with only six pieces which are cream/pale reddish-cream and three pieces which are grey in colour which are presumably burnt or overfired. The Roman CBM was divided between broad categories based on type: roof tiles (*tegula* and *imbrex*), bricks (generally over 30mm thick), flue tiles and *tesserae*; with a general category for flat Roman brick/tile (pieces generally less than 30mm thick). The quantities of these types by count are listed in Table 30.

CBM type	code	No.	% no.	Wt g	% Wt
Roman <i>tegulae</i>	RT	35	7.5	8531	11.1
Roman <i>imbrex</i>	RI	41	8.8	4887	6.4
Roman brick/tile	RBT	263	56.4	16336	21.3
Roman brick	RB	101	21.7	44745	58.4
Roman flue tile (box flue, combed)	RFT	11	2.4	1726	2.2
Roman <i>tesserae</i>	RTE	15	3.2	328	0.4
Totals		466	100	76553	99.8

Table 30 Roman CBM by type

Small quantities of CBM (generally less than ten pieces) were recovered from many different types of feature (Table 27). These appear to represent a scatter of residual CBM pieces across the area, although the largest quantities are from the robbed foundation HF664/668 (81 pieces, 31082g), ditch HF399 running along the south edge of the site (75 pieces, 9895g) and the backfill of grave HF464 (54 pieces, 6842g) which is located close to the north edge of the excavation area. The lower quantity of tile associated with cremations, pits with pyre debris and the *busta* in relation to that from the fill of inhumation graves could suggest that much of the CBM is associated with the mid-late Roman period rather than earlier; although this may, at least in part, be due to the nature of the different features as the grave cuts are bigger with a consequent larger quantity of fill.

Pieces of Roman brick are the most common of the identified Roman CBM types, but the largest numerical group is unspecified Roman brick or tile (RBT) which due to fragmentation or lack of diagnostic features could not easily be identified as either brick tile or a specific tile type. However, although not closely identified, these pieces of RBT are mostly relatively thin in relation to thicknesses common to most Roman bricks (usually 30mm or greater) and a significant proportion of them are probably from the base of *tegula* roof tiles. As such pieces from *tegula* possibly also form a more significant component of the assemblage than the count of identified pieces would imply. The other component of Roman tiled roofs, *imbrex* tiles, is also well represented numerically so that some of the CBM could originally have come from the demolition of roofed buildings or monuments here or close by.

Flat pieces of CBM (either from bricks or *tegula* bases) dominate the assemblage and could suggest demolition material from walls or selected usable building material brought here from an off-site source. One possibility is that this might have been reused in funerary structures or monuments. One robbed Roman foundation (HF664/F668) was discovered which is considered to be the base of a funerary structure. The CBM from this feature includes pieces which had been previously broken and are presumably reused as there is mortar across the broken edges of a number of pieces.

A small, but significant number of *tesserae* cubes are unlikely to represent salvage for building and although they have little or no trace of having been set in mortar, it seems likely that they are associated with an area of *tessera* floor on or close to the site.

Of interest is a near complete, small brick (100 x 75 x 24mm) from the fill of inhumation HF397 (692). This brick appears to be a *spicae* which are used, laid on edge, to make floor surfaces. Roman floors made of herringbone pattern laid *spicae* bricks have been previously recorded in Colchester at North Hill & North Station Road (Dunnnett 1966, 40 & fig 6 & CAT Report 193, 15-16). The brick here appears rather small in relation both to the average size of listed by Brodribb (1987) (144 x 62 x 26mm) and the size of the bricks recorded at North Station Road (between 135 x 40 x 40mm - 145 x 50 x 45mm), although the thickness is closer to Brodribb's average than those at North Station Road.

Post-Roman CBM

A small quantity of post-Roman CBM was recovered. In total twenty-two pieces are identified as post-Roman with a combined weight of 1,023g. These consist of peg-tiles, other (unidentified tile) tile pieces and fragments from bricks (Table 31).

CBM type	code	count	Wt (g)
Peg-tile	PT	23	656
Other-tile	OT	1	279
Brick	BR	3	230
<i>Totals</i>		27	1165

Table 31 Post-Roman CBM by type

The peg-tiles, which are the most common of the post-Roman CBM types recorded, are not closely dated but appear to be most common from the 13th/14th century onwards and remained in common use into the modern period (19th-early 20th) century. The brick pieces are, or most probably are, of post-medieval or modern date. They were mostly recovered as single pieces, or at most two-three pieces found together. A number are associated with Roman burials or other Roman features. It is probable that these pieces are intrusive as appears to be the case with ditch HF409 (751) in a section truncated by modern services, although it may be possibly that a few are simply misidentified and are thin Roman tile.

Fired clay

Very small quantities of fired clay were recovered from three features. These are a pit with pyre debris HF40 (1 piece, 8g), pyre debris HF188 (4 pieces 1139g) & grave fill from HF605 (3 pieces 22g). Almost all are abraded, rounded lumps with only a fragment from HF605 retaining an original surface. Although no wattle voids are present, it appears more likely that they represent structural pieces rather than objects.

Stone (unworked or roughly shaped building stone) (Appendix 5b)

There are 130 pieces of unworked or roughly shaped building stone, with a combined weight of 66,565g. The stone is listed by quantity for each stone type in Table 32. The main types of stone recovered are septaria, a locally available stone, but which is of general poor quality, and limestone. Although slightly more common numerically the actual quantity of septaria is much less than for the limestone which dominates the assemblage by weight at 75% of all of the building stone recovered. Where closely examined the limestone contains glaucanite and

is a greensand limestone, probably quarried in north Kent from the Hythe Formation, part of the Lower Greensand. This limestone is commonly referred to as Kentish Ragstone. As all of the limestone recovered either contains glaucanite or where not closely examined is visually similar to pieces which do, this has all been quantified together.

Stone type	no	% no	wt(g)	% wt
Limestone/Greensand limestone	54	41.5	50356	75.6
Limestone (chalk)	2	1.5	123	0.2
Septaria	73	56.2	13138	19.7
Flint	1	0.8	2948	4.4
<i>Totals</i>	<i>130</i>	<i>100</i>	<i>66565</i>	<i>99.9</i>

Table 32 Stone by type

Septaria was utilised in quantity from the early Roman period, notably in the construction of the town wall dated to the late 1st century. Limestone is not found in the town wall but was used extensively in the fabric of the Roman circus indicating that it was probably not present in any significant quantity at Colchester prior to the 2nd century.

The majority of the stone was recovered from the fill of graves and pits, while significant quantities are also associated with ditches (Table 33). Although the fill of individual cremation and pyre related features is in general of less volume than that of graves and so the graves would produce more, the very small amount recovered from the cremations could indicate that much of the stone on the site dates to the later Roman period.

Feature type	no	% no	wt (g)	% wt
Foundation/robbing	10	7.6	7851	11.8
Cremations, pyre features	7	5.4	137	0.2
Inhumation grave fill	36	27.7	21431	32.2
Pits	57	43.8	20987	31.5
Ditches	16	12.3	8562	12.8
Gully	1	0.8	75	0.1
Modern service features	3	2.3	7522	11.3
<i>Total</i>	<i>130</i>	<i>99.9</i>	<i>66565</i>	<i>99.9</i>

Table 33 Stone by feature type

Stone (worked building stone)

Two hand-carved pieces of greensand limestone are of particular interest. The first is a small fragment with a curved face probably from a column or moulding. The second is a hand-carved 'acorn-shaped' finial on a rectangular base. Both of these decorative architectural elements are likely to have come from a funerary structure, possibly mausoleum HF664/HF668.

H(1015), HF668. Small fragment of a curved face, probably part of a column/moulding, small traces of op-sig mortar. 200 x 100 x 130 mm. 2500g. Greensand limestone.

H(797), HF511. Sculpted acorn/egg-shaped finial on a rectangular base. Base measures 210mm long, 140mm wide and 160mm high. The acorn-shape projects a further 210mm above the base and measures 190 long by 140mm wide. Greensand limestone.

6.7 Coffin nails by *Laura Pooley* (catalogued by *Jane Roberts*)

Eleven inhumation burials containing iron coffin nails in a recognisable coffin outline were selected for further analysis of those coffin nails (Table 34). The following is a summary of the results with a more detailed analysis available in the site archive. Between nine and 45 iron nails were recorded from the eleven inhumations. Most were very corroded with obscured detail, but where visible they were overwhelmingly Manning Type 1b (Manning 1982). Manning Type 1b nails are generally under 150mm in length with a square- or rectangular-sectioned, tapering shank and rounded, flat head. The nails ranged in length from 41-217mm and averaged between 76mm and 105mm long. A number had been clenched or slightly bent (between 20-68%) and contained traces of mineralised wood (between 0-77%).

Feature	No. of nails	No. of complete nails	Average length	Bent? yes(slightly)	Mineralised wood?	Type 1b (Type 1b?)	Other comments
F50	20	8	77	6(+2)	12	4(8)	
F144	29	8	84	5(+10)	20	5(12)	
F161	30	22	102	5(+8)	23	10(13)	Type 1a – 1 Type 1a/1b? – 2
F197	45	33	103	8(+8)	27	16(19)	
F337	10	6	82	(+2)	7	4(5)	
F468	9	3	76	2(+2)	5	2(2)	
F492	19	11	105	1(+11)	13	10(2)	
F549	21	12	90	4(+9)	3	8(7)	
F556	14	8	93	5(+4)	2	9(2)	
F641	31	7	66	1(+20)	0	11(15)	
F666	41	16	89	6(+7)	15	11(12)	

Table 34 Coffin nails

6.8 Worked flint by *Adam Wightman*

Twelve worked flints were recovered from ten archaeological features and one layer (L4). All of the contexts containing worked flints have been dated to the Roman period based on the dating evidence. Therefore, the worked flints from these contexts are all considered to be residual.

The assemblage consists of five waste flakes (one with possible usewear), two blades, three retouched flakes (including one possible denticulate), one retouched blade (retouched notch) and one small core fragment.

Overall, very few of the worked flints were typologically diagnostic. The retouched blade recovered from HF205 is likely to date to the Early Neolithic period. Other flints in the assemblage may also date to this period, although others, in particular some of the short, squat waste flakes and the large probable denticulate, are more likely to date to the Late Neolithic/Bronze Age. The worked flints recovered during the fieldwork suggest that there was a low level of activity in this area from the Early Neolithic period through to the Bronze Age.

context	finds no.	artefact type	cortex %	soft/hard hammer	retouch
HF14	29	flake	25	hard	
HF51	92	flake	0	hard	?usewear
HF143	301	flake	20	hard	large, abrupt, ?denticulate
HF205	522	blade	15	?	blade with retouched notch
HF383	808	blade	20		badly burnt
HF482	823	flake	5	hard	
HF517	821	flake	0	hard	
HF598	901	flake	0	hard	retouched flake
HF618	933	flake	5	hard	
HF645	976	core fragment	10		
HL4	336	blade	60		
HL4	10	flake	0	hard	retouched flake

Table 35 Worked flints (a more detailed analysis is available in the site archive).

6.9 Miscellaneous material by Stephen Benfield

Heat altered (burnt) stones

In total fifty-four burnt stones were recovered with a combined weight of 1,504g. The average weight is 28g. The stones consist entirely of flints that are whitened and crazed or discoloured (reddened). Most were recovered as just one or two pieces (maximum five) from a range of features and are probably residual in the contexts from which they came.

Burnt stones are most commonly associated with later prehistoric activity or occupation, being sometimes referred to as 'pot-boilers' from their presumed use in indirectly transferring heat from a fire to water for use in cooking; although other activities involving the use of these stones to heat water have also been proposed. However, the burnt stones here are not directly dated. While many may be associated with the prehistoric occupation indicated by the pottery assemblage (probably primarily of Middle & Late Bronze Age date) the presence of Roman cremations, including busta, on the site may have resulted in incidentally heated stones from contact with pyres or fires, or even from being buried in contact with hot ash or pyre debris deposits.

Shell

Single, near complete or whole oyster shells were recovered from HF99/100 (159), HF126 (323) and HL4 (10).

Fossil

A small stone (sandstone) with a fossil impression of a small shell was recovered from ditch HF399 (697). The fossil is not very prominent or easily visible.

Clay pipe

A small number of pieces of clay pipe were recovered, almost all from HL1, together with a single stem piece from HF142 (H307). The pieces from HL1 (26 pieces) are all stem pieces apart from the lower portion and spur of a narrow fluted bowl (*CAR 5*, fig 61), probably of late 18th-19th century date, and the spur of another plain(?) bowl. The foot of the fluted bowl has the initials **S R** (*CAR 5*, 64 & fig 61, 2931& 2934) and the other bowl the initials **E L** (*CAR 5*, 64 & fig 62, 2946-7) both of the makers represented by these initials are associated with pipes dated to the late 18th-19th century.

Coal

Small, single pieces of coal were recovered from HF605 (927) and HF628 (936). These are most likely to date to the post-medieval/modern period.

Slate

A single small piece of slate of probable post-medieval/modern date was recovered from HF274 (568)

Tarmac

A small piece of modern tarmac (originally recovered as possible slag) came from HF629 (941).

6.10 Charred plant macrofossils and other remains by Val Fryer

Introduction and method statement

Excavations at Colchester Garrison Area H, recorded a small number of pyre and bustum deposits along with pits containing pyre debris, all of Roman date. Samples for the retrieval of the plant macrofossil assemblages were taken from across the excavated areas and, for the purposes of this assessment, ten were submitted to ascertain the densities of plant material other than charcoal/charred wood which were preserved. Two other samples from a prehistoric pit and Roman pit were also submitted.

The samples were processed by manual water flotation/washover and the flots were collected in a 300 micron mesh sieve. The dried flots (or sub-samples thereof) were scanned under a binocular microscope at magnifications up to x 16 and the plant macrofossils and other remains noted are listed in Table 1. Nomenclature within the table follows Stace (1997). All plant remains were charred. Modern roots were also recorded within most assemblages.

The non-floating residues were collected in a 1mm mesh sieve and were sorted when dry. All artefacts/ecofacts were retained for further specialist analysis.

Results (Table 36)

Cereal grains and/or seeds of common weeds and grassland herbs were present at a low to moderate density within all but three of the assemblages studied. Preservation was generally quite poor, almost certainly as a result of the high temperatures at which the remains were burnt. Many of the cereal grains were too puffed and distorted for close identification, and a high proportion of the seeds were both misshapen and lacking their diagnostic testae.

Wheat (*Triticum* sp.) grains were noted within four assemblages. Both elongated 'drop' form grains typical of spelt (*T. spelta*) and more rounded hexaploid type forms were noted, but diagnostic chaff elements were entirely absent. A single possible barley (*Hordeum* sp.) grain was noted within the assemblage from bustum sample 56 (HF188). Indeterminate and fragmentary large pulse (Fabaceae) seeds were noted within pyre debris sample 5 (HF22) and prehistoric pit sample 66 (HF384), and pyre pit sample 59 (HF200) included an angular cotyledon fragment of possible field bean (*Vicia faba*) type.

Seeds were generally scarce, with most occurring within the pyre debris deposits. Grassland herbs were predominant, with taxa noted including small legumes (Fabaceae), black bindweed (*Fallopia convolvulus*), knotgrass (*Polygonum aviculare*), buttercup (*Ranunculus* sp.) and dock (*Rumex* sp.). Sample 66 included a small number of large 'beaked' seeds, tentatively identified as flax (*Linum usitatissimum*), although their poor condition precluded close identification. Small fragments of hazel (*Corylus avellana*) nutshell were noted within three of the assemblages studied.

Charcoal/charred wood fragments, including numerous larger pieces >10mm in size, were common or abundant throughout along with small fragments of indeterminate charred root or stem. Other plant macrofossils were scarce, although pyre debris sample 80 (HF632) did include a number of small fragments of mineral preserved wood.

Small fragments of black porous and tarry material were present throughout at a low to moderate density. At the time of writing, the precise origin of this material was unclear, but it was suspected that many pieces were derived from the high temperature combustion of organic remains within the pyres/bustum, including the various fuels, any organic inclusions and the remains of the deceased. Bone fragments, including burnt/calced pieces, were present within all but sample 66 (Bronze Age pit HF384). A number of fragments of an open textured organic material were also recorded, most notably within the assemblages from pyre debris sample 36 (HF112) and pyre pit sample 59 (HF200). Whilst close identification of this material was not possible, the remains may be derived from charred foodstuffs (possibly bread), which were included as offerings to the deceased. Other remains included small pellets of burnt or fired clay, ferrous concretions and vitreous globules, with the latter being especially common within the pyre deposits. Small pieces of coal (coal 'dust') were present throughout, but it was unclear whether these were contemporary with the contexts from which the samples were taken, or later contaminants.

Discussion

Of the seven pyre debris pits studied, all contain occasional cereal grains and/or seeds in addition to the charcoal/charred wood fragments, which are presumably derived from the principal fuel used for the cremations. The assemblage from samples 5 and 73 (context HF407) are of especial note, as they include a number of small legumes, although none are sufficiently well preserved to identify them to a particular species. Similar assemblages were noted from another nearby Roman cremation cemetery at Handford House, Colchester (CAT Report 323), where it was considered most likely that the remains were derived from the use of dried herbage as tinder, kindling or fuel within the pyres.

In contrast, the assemblages from the pyre pits and bustum are generally larger than those from the pyre debris pits, but are more limited in composition. Charcoal/charred wood fragments, many of which are quite large in size (i.e. >10mm), are abundant, but other remains are scarce, although it must be remembered that neither of the pyre pits were fully excavated. Pyre pit sample 59 (HF200) did though contain moderate densities of small legumes, which are again probably indicative of the use of dried herbage as tinder or kindling.

Within the current assemblages, some plant materials may also have been burnt *in situ* beneath the pyres, but there is little to suggest that any of the remains (with the exception of the fragments of possible bread) are derived from the deliberate deposition of offerings to the deceased, as has been recorded elsewhere within the Colchester Garrison area (Fryer, CAT Report 412).

In summary, assessment of the current samples would appear to indicate that there are subtle differences between the composition of the pyre debris pits and pyre pits/bustum assemblages; the pyre debris pits are generally more diverse, whilst the pyre pit/bustum deposits contain more fuel debris in the way of charcoal/charred wood. Whilst the latter is, perhaps, understandable, as the deposits have suffered less subsequent disturbance, the taphonomy of the pyre debris pit assemblages is unclear. However, when the very high temperatures during which the assemblages were formed are taken into consideration, the differences may simply be a matter of random preservation. Notwithstanding these issues, it would appear that whilst wood was the principal fuel of choice for both the pyres and the bustum, dried plant material was also commonly used, presumably largely to facilitate initial combustion. In the current instances, there is little to indicate that offerings were placed alongside the bodies of the deceased, although evidence for this practise does come from other cremations recorded within the Colchester area.

Sample No.	5	9	18	28	36	41	66	80	50	55	56	58	59	73
Context No.	HF22	HF32	HF52	HF90	HF112	HF124	HF384	HF632	HF156	HF156	HF188	HF156	HF200	HF407
Finds No.	53	76	118	184	226	254	653	957	365	423	467	514	536	754
Context type	PD	PD	PD	PD	PD	Pit	Bronze Age pit	PD	Pyre pit	Pyre pit	Bustum	Pyre pit	Pyre pit	PD
Cereals and other potential food plants														
<i>Hordeum</i> sp. (grains)											xcf			
<i>Triticum</i> sp. (grains)			x		x		x	xcf						
Cereal indet. (grains)	x	xfg	x	xcffg	xcffg		xcffg							x
<i>Vicia faba</i> L.													xcffg	
Large Fabaceae indet.	xcffg						x							
Herbs														
<i>Bromus</i> sp.							xcf							
Fabaceae indet.	xxx		x	x	x		x						xx	xx
<i>Fallopia convolvulus</i> (L.)A.Love							x						x	
<i>Linum usitatissimum</i> L.							xcf							
Small Poaceae indet.	x													
<i>Polygonum aviculare</i> L.					x									
<i>Ranunculus acris/repens/bulbosus</i>													x	
<i>Rumex</i> sp.		x	x											
Tree/shrub macrofossils														
<i>Corylus avellana</i> L.				xcf	x									x
Other plant macrofossils														
Charcoal <2mm	xxxx	xxxx	xxxx	xxxx	xxxx	xxxx	xx	xxxx	xxx	xxxx	xxxx	xxxx	xxxx	xxxx
Charcoal >2mm	xxxx	xxxx	xxxx	xxxx	xxxx	xxx	xx	xxxx	x	xxxx	xxxx	xxxx	xxxx	xxxx
Charcoal >5mm	xx	xxx	xxxx	x	xxx	x		xx	x	xxx	xxxx	xxx	xxxx	xx
Charcoal >10mm	xx	xx	xx					x		x	xxx	xx	xx	x
Charred root/stem	x	x	x	x	x	x	x	x	x			x		x
Indet.buds								x						
Indet.fruit stone/nutshell fragment														x
Indet.seeds		x	x		x		x							
Minerally preserved organics (wood)								xx						

Other remains														
Black porous 'cokey' material	xx	x	xx	xx	xx	x	x	x	x	x	xx	xx	xxx	x
Black tarry material	x	xx	xx	x	xx	x	x		x		x	xx	x	x
Bone	x xxb	xx xb	x xb	x xxxb	x xxb	x xb		x xxxb		x xb	x xxb	x xxb	xxb	xxb
Burnt/fired clay	x	x	x	x	x	x		x	x				x	x
Burnt stone			x				x	x		x		x		
Burnt organic concretion	x		x	x	xx								xx	
Ferrous concretions				x	x			xx			x	x		
Ferrous wire					xpmc	xpmc								
?Metallic residue		x			x									
Pottery							x							
Small coal frags.	x	xx	xx	xx	x	xx	x	x	x	xx	x	x	x	x
Small mammal bone			x	x										
Vitreous material	xxx	xxx	xx	xxx	xx	x		x			x	x		
Sample volume (litres)	42	42	90	30	60	60	18	20	20	30	110	30	90	20
Volume of flot (litres)	0.1	0.1	0.3	0.1	0.1	<0.1	<0.1	0.3	<0.1	<0.1	0.4	0.3	0.7	<0.1
% flot sorted	100%	100%	50%	100%	100%	100%	100%	50%	100%	100%	25%	50%	50%	100%

Table 36 Environmental results (all features of a Roman date unless otherwise stated).

Key:

PD = pyre debris pit

x = 1 – 10 specimens xx = 11 – 50 specimens xxx = 51 – 100 specimens xxxx = 100+ specimens

cf = compare fg = fragment b = burnt pmc = possible modern contaminant M/H = medium to high

7 Discussion

7.1 Prehistoric

No features or finds dating to earlier than the Late Bronze Age were identified during the excavation of Area H. The earliest features on the site were three Late Bronze Age pits and a tree throw, (totalling 108 sherds), with a further 87 sherds of prehistoric pottery found residually in later features. This scant evidence shows that some type of prehistoric/Late Bronze Age activity did occur on the site.

Late Bronze Age sherds (3.26kg of residual pottery) and settlement-related features, including several pits and a possible small four-post structure (containing 3.798kg of pottery), were also found in Area J1 North to the south of the current site (CAT Report 412). This was interpreted as evidence of unenclosed (and short-lived) settlement activity and the pits from Area H are almost definitely associated with this phase (Sealey, CAT Report 412). In conjunction with evidence from GAL Phases 1-2 along with two Late Bronze Age pits identified in the area in 1972, the features from Area J1 North/Area H would indicate that the high ground at the northern edge of Abbey Field was a focus for settlement/domestic activity in the Late Bronze Age period.

7.2 Roman burials and burial related features (Fig 10)

The total number of Roman burials identified during the archaeological excavation was 224 along with 66 pits containing pyre debris, five disturbed cremations/pits containing pyre debris and 26 possible burial features.

Area H is located approximately 500m to the south of the walled town and immediately to the north-west of the Roman circus. It falls within a part of Roman Colchester densely occupied by Roman burials. A description and summary of all of the burials and cemeteries recorded before 1988 can be found in *Colchester Archaeological Report 9*. The area of burial activity identified as 'Area F' in *CAR 9* is in the exact position of Area H (*CAR 9*, 258-261). This burial activity was first identified in c 1873-4 during the construction of the Artillery Barracks. At this time Colchester Museum acquired about thirty vessels, including at least nine of glass. Workmen at the time said that they 'cut through hundreds of pots like currants in a drain' (Hull 1958, 253).

In previous years many of these concentrations of burials have been grouped into separate cemeteries. However, in the *CAR 9* summary P Crummy indicates that this may be too simple an interpretation. The evidence rarely reveals a separate and distinct (in time and space) 'cemetery' as we would define the term today. Instead the evidence reveals wide tracts of land that contained many isolated burials, burial plots and concentrations of burials that are all multi-phased with complex layouts. He indicates that instead of thinking in terms of distinct 'cemeteries' we should instead think of 'cemetery areas'. So, instead of defining the concentrations of burials on the GAL sites as separate cemeteries, we should instead think of them as 'cemetery areas' (ie, areas which contain a concentration of burials).

Area H should therefore be divided into two distinct cemetery areas:

Cemetery Area H1 - A minimum total of 85 burials were excavated, divided into 67 inhumation burials, 16 urned cremation burials and two unurned cremation burials. Other burial features included two burial pits containing pyre debris and nine possible burial features.

Cemetery Area H2 - A total of 139 burials were excavated, divided into 97 inhumation burials, 29 urned cremation burials, 10 unurned cremation burials and three pyres/bustums. Other burial features included 64 pits containing pyre debris, five disturbed cremations/pits containing pyre debris, and seventeen possible burial features.

7.2.1 Cemetery area H1

Location

Cemetery area H1 was located approximately 370m south on the southwest corner of the Roman walled town. Its southern boundary was a large east-west ditch running across the site. The north, east and west boundaries were not identified during the excavation but may have been identified during earlier evaluation trenching. A single outlying burial plot was also identified to the south of the southern boundary ditch. As all of the burials so far recorded within the GAL sites have respected the line of the Roman circus, it is likely that the east boundary was located somewhere between the edge of Area H1 and the circus. As it stands, cemetery area H1 measures at least 74m (east/west) by 23m (north/south).

Date

The cemetery area dates from the 2nd to the late 3rd/4th century, although none of the burials absolutely date to the 4th century. The site appears to have been in fairly constant use throughout this period. Analysis of the stratigraphic evidence revealed that broadly speaking the east-west inhumations were the earliest, then the north-south inhumations and finally the cremations. There was though, in reality, probably a certain degree of overlapping between the different burial rites given that the dating evidence is imprecise or absent in many cases.

The burial plots

At least five distinct burial plots can be identified in this cemetery defined by an east-west boundary ditch, three irregular north-south boundaries and a square-ditched enclosure. The inhumations were then orientated on the same alignments as these plots. This would suggest that the cemetery area was planned and managed, although there were some instances of inter-cutting burials.

The three irregular north-south boundaries are an interesting feature. As already discussed, they are not ditches or gullies but formed by either a continuous or broken line of inter-cutting grave-shaped features. Potentially some of these features could be graves inserted into an earlier boundary line. If they are graves they represent a distinct burial rite where 1) the individual was buried in a line with other earlier burials, 2) the burials began to the south (near to boundary HF399) and progressed northwards, 3) they were probably buried in the line of earlier boundary features that have left little/no archaeological trace, and 4) they were buried without coffins or grave goods in either a deliberately empty burial or were buried with organic items, ie wrapped in a shroud.

A similar line of inter-cutting graves was located within the northern Napier Road car park (CAT Report 652) at the eastern end of the Roman circus. This line, orientated roughly northwest to southeast, also probably respected an earlier boundary that had left little physical trace (such as a hedge or tree-line), although one of the features (F43) in particular might be part of the boundary (*ibid*, p.11). Unlike the examples from Area H1, six of the seven features were positively identified as inhumations as they contained human bone (4), coffin nails (4) and/or hobnail shoes (2).

Lines of inhumations aligned north to south were also identified in the Butt Road cemetery 150m to the northwest of Area H1 (CAR 9, p.30-32, fig 2.10). These burials were located within period 1, phase 3 of the cemetery (c 270-300/20 – 320/40). There are some obvious differences between these examples and those from Area H1 though. None of the Butt Road inhumations formed inter-cutting lines. They were also all buried within timber coffins and many had burial goods.

The Butt Road cemetery did have a number of short lines of inter-cutting east/west aligned inhumations within Period 2 (c 320/40 - 400+) (*ibid*, fig 2.21). Similar east/west lines were also identified in the late Roman cemetery at Lankhills, Winchester. In both examples, human bone, coffins and/or burial goods were largely present. Interestingly, at Lankhills, the authors do state that the apparent rows and lines of inhumations may be nothing more than a side

effect of a shared east/west orientation within a densely populated burial ground (Booth et al, 2010, p.463). The same could be said of Butt Road during Period 2.

Lines of graves similar to Area H1 are recognised in 'row-grave' cemeteries (*Reihengräberfelder*), a Germanic burial practice seen in the migration period in the Rhineland and northern France (Frassetto 2003, 309-310). Several cemetery areas excavated in other GAL sites nearby (CAT Report 412 and pending) do contain evidence of Germanic style burials and a Germanic population in Colchester. The appearance of lines of graves in Area H1 could have been another continental import, although the evidence would suggest that the features in Area H1 are considerably earlier than the accepted dates of the 'row-grave' cemeteries.

The cemetery population

Human bone had survived in only 38 burials and one pit containing pyre debris. Inhumed bone was recorded in 21 burials, usually in a highly decayed and incomplete state, with cremated bone in 17 burials and the pit. This represents at least 39 separate individuals. Due to poor preservation, it was only possible to ascertain that five were male/possibly male and two were possibly female. The rest were of indeterminate sex. The four males were all adults, aged as young adult, 25-40 years, 50+ and mature. The two possible females were both adult, one 25-35 years. Four other individuals were identified as adult, one as a possible adult, one as a young adult with another as 'young', and a juvenile (8-10 years). A further three individuals were identified through the presence of age-related burial goods. These individuals were two children and an adult/sub-adult. This takes the adult to juvenile ratio to 3:1. Where identifiable the skeletons showed features that are typically Caucasoid and healed breaks/fractures were noted on two of the bodies. Few other pathologies were identifiable aside from one case of possible anaemia.

The inhumations

A total of 67 inhumation burials were identified within the cemetery area H1.

Grave alignment: Fifty-five of the inhumation burials (or 82%) were aligned either east-west or north-south, with their heads buried at either end of the grave. This alignment would indicate that most of the burials were laid out on the same orientation as the burial plots defined by the east-west boundary ditch and three irregular north-south boundaries.

Timber coffins: Thirty-one of the inhumations had been buried within a timber coffin. No wood had survived, but the presence of a coffin was revealed through either the presence of coffin nails, wood staining or both; although their absence does not necessarily indicate that no coffin was present. The number of coffin nails within each burial varied considerably from zero to fifty, which would indicate that the coffins were constructed in a number of different ways using both iron nails, wooden pegs and possibly other methods like dovetail joining. The evidence indicates that some of the coffins did have lids that had been nailed shut. Others either did not have lids, had lids that were fixed by organic (and now degraded) materials or where the decomposition of the grave was such that all of the nails were now roughly at the same height. It is also possible that the coffins indicated by wood staining were not actually coffins at all but were burials placed on a wooden plank, however these are impossible to distinguish.

Burial goods: Twenty-eight inhumations contained burial goods. The goods varied in quantity but generally consisted of pottery vessels, hobnail shoes and a variety of small finds. Fourteen contained one burial good, eight contained two, and six contained three or more. The burial with the most goods included six pottery vessels and a large number of metal objects possibly associated with the wares of a blacksmith. None of the inhumations included evidence of 'food for the afterlife'. However, as the survival of bone within these graves was so poor, this absence may simply be because no evidence has survived.

Status as shown from presence of coffins and burial goods: The presence of coffins and burial goods within the inhumation burials can be used as an indicator of status, although there are problems with this interpretation. If viewed as such an indicator their absence would show low status and their presence high status. As such, the twenty-nine burials without a coffin or associated burial goods would be low status and the thirty-eight burials either with coffin, burial goods or both would be of higher status. This would indicate that the burial with six pottery vessels and a large number of metal objects was the highest status inhumation burial on this site. However, the use of burial goods as an indicator of status can be misleading. The burial with the most elaborate burial marker, a mausoleum, was buried within a coffin but without any burial goods. This indicator also does not take into account organic items that may have been placed in the graves but degraded away leaving no trace.

The cremation burials

A total of eighteen cremation burials were identified within cemetery area H1. They can be divided into sixteen urned cremation burials and two unurned cremation burials.

Urn, box or organic vessel/container: Of the eighteen cremation burials identified on the site sixteen had been buried within cremation urns. All sixteen cremation urns were jars, indicating that they were the dominant (or only) form of pottery vessel used. Neither of the two unurned cremations contained evidence of a receptacle, although presumably it would have been some form of organic container like a piece of cloth or bag.

Burial goods: Five of the burials contained other burial goods. Three were buried with a single pottery vessel, one was buried with three vessels, and only one had a small find in the form of a single coin. These burials may have been of a high status than those with no other burial goods but this is impossible to determine.

Pyre sites and burial pits containing pyre debris

Only two pits containing pyre debris were recorded. They contained the usual dumped debris including large amounts of charcoal, a small amount of cremated bone (or none) and a quantity of burnt and broken burial goods.

Burial markers

Burial markers were often used to distinguished Roman burials, so that families could return to the graveside to commemorate the dead. These markers could be elaborate and high status stone mausoleum or barrows, or wooden structures, pots, wooden posts (containing the deceased's name and any other information) and piles of stones (Barber and Bowsher 2000, 301).

A small mausoleum built over the central inhumation of burial plot 5 (double-ditched square enclosure) would certainly have been the biggest structure so far located within the cemetery area. A mausoleum is a small free-standing building which functions as a burial chamber for one or more people. They were high-status, stand-out, 'statement' burials often including decorative architectural elements. The remains of three other mausoleums have been found during excavations at the garrison, two at the former Hyderabad Barracks (CAT Report 628) and one on Area C2 (CAT Report 412). A spectacular mausoleum or temple-tomb was also discovered at the Colchester Royal Grammar School in 2005 (CAT Report 345), with others known from Butt Road, Beverly Road and Lexden Road (CAR 9). Other burial markers identified within the cemetery area included two possible barrow burials and a number of features and postholes that probably held simple wooden post markers.

Although burial markers are represented on the site, they do not appear to have been a common occurrence. This could simply be a matter of survival. Inter-cutting Roman features and modern disturbance may have removed all trace of any markers and any markers located above ground would have been lost of the intervening years. Alternatively, few burial markers existed on the site, which is probably indicated by the large number of inter-cutting burial features. If the burial sites were being marked and remembered it is less likely that a later

burial would be cut through it. As such, the inter-cutting would seem to indicate that few burial markers were used.

Cemetery area H1 and the Butt Road cemetery

Cemetery area H1 is located 150m to the southeast of the Butt Road cemetery, excavated in the 1970s and 1980s (CAR 9). The Butt Road cemetery was divided into several distinct phases. In Period 1, phase 2 (?3rd century to c AD 300/320; CAR 9, 4), the site was subdivided into plots by ditches, and a few cremations and uncoffined inhumations followed. Later, in Period 1, phase 3 (c AD 300/320-320/340; *ibid*), a more formally-arranged pagan inhumation cemetery with north-south aligned inhumations was laid out across the site. In Period 2 (c AD 330-400+), the alignment of graves switched to east-west, at a time which appears to coincide with the official coming of Christianity to Britain.

One of the aims of the Area H1 excavations was to determine if the burials in Area H1 were a part of the Butt Road cemetery. Superficially there are similarities. Both are aligned on a north/south east/west axis and both are divided into distinct burial plots containing both cremations and inhumations. The inhumations are both coffined and uncoffined. At least one mausoleum was identified on both sites, and a wide range of burial goods encountered. However, the dating and phasing of the sites are very different. Evidence from Area H1 suggests that this cemetery area is earlier than the 3rd to early 4th century+ Butt Road cemetery, dating primarily from the mid 2nd to the 3rd century. Furthermore, phasing evidence suggests that in broad terms the east-west inhumations were the earliest, followed by the north-south inhumations, followed by the cremations. This is exactly the opposite of what was seen at Butt Road. In summary then, the earlier burials are to the south (Area H1), and the later ones to the north (Butt Road). This dating confirms the general pattern observed elsewhere in the Roman town, that inhumation burials progressively move closer to the town during the Roman period (CAR 6, 263-4).

7.2.2 Cemetery area H2

Location

The cemetery area located in Area H2 was a continuation of the cemetery area identified on Area J1 North (CAT Report 412). This cemetery area was itself located on the eastern side of a large Roman road identified running across Area J1, and acted as the western/ south-western boundary of the cemetery area. The placement of burial sites along major roads is a well-documented practice both within Roman Britain and Colchester, and this road was clearly a factor in the placement of this burial ground.

The Area J1 North cemetery area measured at least 80m from northwest to southeast and at least 35m from northeast to southwest. To this we can now add the burials from Area H2. In total the cemetery area now runs at least 140m from northwest to southeast and, if ditch HF28 does indeed form the northern boundary of this burial area, it would measure between 43m wide (at the northwest end) and 75m wide (at the southeast end). Urned cremation HF688 was excavated to the north of the projected line of this ditch, but might represent an outlying burial.

Date

The cemetery area formed by the Area J1 North and Area H2 burials dates from the mid 1st to the 3rd century, with only two burials (in J1 North) absolutely dating to the 4th century. The site appears to have been in fairly constant use throughout this period. There is perhaps a small increase in burial numbers in Area J1 North in the mid 1st to 2nd century, in contrast to an increase in burial numbers in Area H2 in the mid 2nd to the 3rd century. Therefore the focus of the cemetery area seems to have expanded slightly further north by the middle of the 2nd century.

The dating evidence also revealed that both the inhumation and cremation burial rites were in use throughout the period. However, there were more later cremation burials cutting/sealing earlier inhumations than vice-versa that would indicate that cremation was becoming more dominant in the later period.

The burial plots

Despite the presence of burial plots on Area J1 North the only plot identified on Area H2 was the early square ditched enclosure. As the gullies identified on Area J1 North were cut by later burials it is possible that the use of burial plots had ceased by the time the cemetery area had expanded further northwards and were not commonly used within the area covered by Area H2. This would appear to be confirmed by the severe inter-cutting of many of the burial features, indicating that the cemetery area was not planned or managed too effectively. This may have been a result of a lack of cemetery space given the sheer quantity of burials and burial features located on the site.

The cemetery population

Human bone had survived in 79 burials and 47 burial-related features (one pyre site and 46 pits containing pyre debris). Inhumed bone was recorded in 39 burials and cremated bone in 40 burials and 47 burial-related features. Dual/double burials were recorded in only two instances. So, the human bone represents at least 128 separate individuals. Of these 128, there were eight males, four possible males, three females and two possible females. The rest were of indeterminate sex. Eleven of the males/possible males were adults (including one at c 25 years, three at 25-25 years and two at 40+) and one possible male was a juvenile. All five of the females/possibly females were adult (including a young adult and one at 20-25 years). A further nine individuals were classed as adult, one as a mature adult, four as young/sub-adults, two as young, two as juveniles (one 9-10 years) and one as a child/adolescent. In addition, burial goods found within cremation HF283 would suggest that the individual was a female. This takes the adult to juvenile ratio to 2.6:1 (similar to that from Area H1).

All but one of the skeletons showed features that are typically Caucasoid, the exception being a probable female who showed some Negroid characteristics and was probably of mixed race. Pathologies were noted in seven cases including arthritis, anemia, joint wear and a case of pituitary dwarfism.

The inhumations

A total of 97 inhumation burials were identified within the Area H2 cemetery area.

Grave alignment: Seventy-two of the inhumation burials (or 74%) were aligned either northwest to southeast or northeast to southwest, with their heads buried at either end of the grave. This alignment would indicate that most of the burials were laid out on the same orientation as the inhumations in Area J1 North, which were aligned on the Roman road and the rectilinear burial plots that stem from it. If ditch HF28 in Area H2 is the northern boundary for this cemetery area, then this too is laid out on the same orientation as the road, burial plots and inhumations.

Timber coffins: Twenty-seven of the inhumation burials had definitely been placed within a timber coffin. No wood had survived, but the presence of a coffin was revealed through either the presence of coffin nails, wood staining or both; although their absence does not necessarily indicate that no coffin was present. The number of coffin nails within each burial varied considerably from six to fifty-six, which would indicate that the coffins were constructed in a number of different ways using both iron nails, wooden pegs and possibly other methods like dovetail joining. The evidence indicates that some of the coffins did have lids that had been nailed shut. Others either did not have lids, had lids that were fixed by organic (and now degraded) materials or where the decomposition of the grave was such that all of the nails were now roughly at the same height. It is also possible that the coffins indicated by wood staining were not actually coffins at all but were burials placed on a wooden plank, however

these are impossible to distinguish. Iron corner bindings rather than coffin nails were used in the construction of one of the coffins.

Burial goods: Twenty-six inhumations contained burial goods. The goods varied in quantity but generally consisted of pottery vessels, hobnail shoes and a variety of small finds. Twelve of the burials contained one burial good, eight contained two, and six contained three or more. The burial with the most goods included a jar, beaker, three flagons and nailed leather footwear. Only two of the inhumations on this site included evidence of 'food for the afterlife'. However, as the survival of bone within these graves was so poor, this absence may simply be because no evidence has survived.

Status as shown from presence of coffins and burial goods: The presence of coffins and burial goods within the inhumation burials can be used as an indicator of status, although there are problems with this interpretation. If viewed as such an indicator, their absence would show low status and their presence higher status. Therefore, the fifty-eight burials without a coffin or associated burial goods would be low status and the thirty-nine burials either with coffin, burial goods or both would be of higher status. This would indicate that a burial with coffin and six burial goods was the highest status inhumation burial on this site. However, the use of burial goods as an indicator of status can be misleading.

The cremation burials

A total of thirty-nine cremation burials were identified within the Area H2. They can be divided into twenty-nine urned cremations and ten unurned cremation burials.

Urn, box or organic vessel/container: Of the thirty-nine cremation burials identified on the site twenty-nine had been buried within cremation urns. Twenty-three of the cremation urns were jars indicating that they were the dominant form of pottery vessel used. None of the ten unurned cremations contained evidence of a receptacle, although presumably it would have been some form of organic container like a piece of cloth or a bag.

Burial goods: Fifteen of the burials contained other burial goods. Most contained one or two items that could include either a lid for the urn or another pottery vessel. Small finds were identified in five instances, all of which were primary burial goods burnt on the pyre and gathered for burial.

Busta

Generally in cremation burials the body of the deceased is burnt on a pyre and the cremated remains collected and buried within a cremation urn, a box, a glass vessel or an organic container. However, another type of cremation burial used is the *Grubenbusta* ('busta' for short). These types of burial are not commonly seen in Colchester; although two were identified on the Handford House site (CAT Report 323), ten (five probable and five possible) in Area J1 North (CAT Report 412, excavation and watching brief), one on Circular Road North (*ibid*) and one in Area E (CAT Report 778).

One probable *busta* burial was identified on Area H2. Only a small quantity of human bone was recorded and it was not in anatomical order, so had probably been shovelled or raked over to level the pit. It did include a number of burial goods that had been both burnt with the body or placed within the burial pit after burning. This process of placing burial goods with the body after cremation was also seen in one of the *busta* from Handford House and also from Area J1 North. Dating from the mid-1st to 2nd-century, this *busta* also sits comfortably within the 1st to early 2nd century date of the majority of the *bustum* burials from Colchester.

Busta burial is a tradition more commonly seen on the Continent and is usually associated with large settlements and military centres. It is also a practice thought to have been brought over by the Roman army (Barber & Bowsher 2000, 309; Struck 1993, 91-2). Similar *bustum* burials have been identified in London's eastern (Barber & Bowsher 2000, 62) and southern cemeteries (Mackinder 2000, 10-13), in St Albans (Barber & Bowsher 2000, 62;

Frere 1987, 329) and in military centres in the north, especially around Hadrian's Wall (Struck 1993, 91). The association with the military derives from the fact that most examples to date have been found at the frontier forts (McKinley pers comm with RM). For example there was evidence at Petty Knowes, High Rochester that cremation pyres were constructed directly above some of the burial pits. These pits were similarly burnt around their edges with the draught through the pits creating higher pyre temperatures. Roman Colchester was both a large settlement and a military centre, and the use of *busta* burials here would not be unexpected, although their scarcity would indicate that it was not a commonly used burial rite.

Pyre sites and burial pits containing pyre debris

Two pyre sites were identified on Area H2 with a further five identified in Area J1 North. Their presence on the site would indicate that a separate location or '*ustrinum*' was not used to cremate at least some of the bodies buried within cemetery area. However, as only seven were identified in total it is likely that some of the pyre sites were either located elsewhere or had been removed by later activity on the site. One of the pyre features on Area J1 North was located within the roadside ditch suggesting they were placed along the edge of the boundary for the cemetery area.

Sixty-four pits containing pyre debris were also recorded. Most of these pits contained the usual dumped debris including large amounts of charcoal, a small amount of cremated bone and a quantity of burnt and broken burial goods. However, some of the features contained a large quantity of cremated bone; eight had over 100g. It is possible that the process of collecting cremated bone from the pyre was not always as vigorous and that sometimes large quantities were left behind.

Burial markers

Postholes surrounding two (or possibly four) inhumations probably represent fences marking the burials. Other isolated postholes scattered across the site, including two clusters primarily among cremations and pits containing pyre debris, probably represent a single wooden post associated with a single burial. Two ring-ditches could also be interpreted as barrow burials. The use of burial markers does not appear to have been a common occurrence though. This could simply be a matter of survival. Inter-cutting Roman features and modern disturbance may have removed all trace of any markers and any markers located above ground would have been lost of the intervening years. Alternatively, few burial markers existed on the site, which is probably indicated by the large number of inter-cutting burial features. If the burial sites were being marked and remembered it is less likely that a later burial would be cut through it. As such, the inter-cutting would seem to indicate that few burial markers were used.

7.2.3 Comparison of the southern cemetery areas

Excavations in recent years across land formerly owned by the Colchester garrison have provided a great deal of new information on the Roman cemetery areas to the south of the Roman walled town. It is now possible to conclude that these cemetery areas were extremely varied, even during the same periods of use, probably relating to a large degree on the ethnicity of those buried there. Table 37 provides a brief summary of the similarities, differences and variations between the cemetery areas recorded at Area H1 and H2 (this report), Areas C2, J1 North, J1 South, J1 East, Circular Road North and Napier Road (CAT Report 412), Butt Road (CAR 9), Abbey Field (CAT Reports 54 and 138), Area A1 (CAT Report 628), Napier Road Car Park (CAT Report 652) and Area E (CAT Report 778).

7.4 Medieval and post-medieval

Three small pits, a possible well with associated postholes, and a small quantity of finds represent post-Roman activity on the site. Many of the post-Roman finds were found intrusively in Roman features and include a very small quantity of medieval pottery, post-

Roman ceramic building material and a medieval hooked tag. None of this suggests any significant activity on this site in the medieval or post-medieval periods.

7.5 Modern

Six pits and numerous service trenches all date to the modern period and are probably associated with military activity on the garrison site.

Characteristic	Area H1	Area H2/ J1 North	Butt Road	Probably part of same cemetery area			Probably part of same cemetery area			Area A1 (site A) (site H)	Small outlying burial plots	
				Abbey Field	Circular Road North	Area J1 East	Area C2	Napier Road	Napier Road car park		Area J1 South	Area E
Early cremation burials (1st/2ndC)		x			x			x	x	x	x	x
Early inhumations (1st/2ndC)	x	x							x	x		x
<i>Busta</i> burials (1st/2ndC)		x			x							x
Pyre sites (1st/2ndC)		x		x								
Burial pits with pyre debris (1st/2ndC)		x			x	x		(x)	x	x		
Late cremation burials (3rd/4thC)	x	x	x	x	x		x		x	x	x	
Late inhumations (3rd/4thC)	x	x	x		x		x	x	x	x	x	
Burial pits with pyre debris (3rd/4thC)		x		x	x	x	x	(x)	x			
Burials in 3rd/4th century Roman barrows	?x	?x (H2 only)			x		x		x	x (6th-7thC)		
Intercutting burials (significant nos)	x	x	x									
Evidence for burial plots	x	x (J1N only)	x	x			x	?x				
E/W aligned graves dominant	x (earlier)		x (later)				x				x	
N/S aligned graves dominant	x (later)		x (earlier)									
Graves mainly aligned with landscape features (eg road)		x					x					
No dominant alignment								x	x	x		
Mausoleum	x		?				x			x		
Decapitation burials							x					
Jet bears				x			x					
Lead coffins			x				x					

Table 37 Comparison of southern cemetery areas

8 Acknowledgements

CAT would like to thank the following:

RPS Group plc and Taylor Wimpey for commissioning and funding the work.

Ben Holloway for managing the project.

CAT staff for undertaking the fieldwork: Mark Baister, Ian Colson, Laurie Driver, Ben Holloway, Emma Holloway, Brian Hurrell, Chris Lister, Nigel Rayner, Don Shimmin, Pauline Skippins, Patrick Spencer and Adam Wightman.

Tim Dennis for all aerial photographs.

CAT volunteers for washing and processing all of the finds.

Laura Pooley for preparing the report, edited by Philip Crummy and Rob Masefield.

Mark Baister and Laura Pooley for preparing the site plans and figures.

Emma Holloway for preparing the burial plans and illustrations.

All finds specialists: Stephen Benfield (pottery, building material and miscellaneous material), Nina Crummy (small finds, bulk metalwork and glass report), Penelope Walton Rogers (textiles), Julie Curl (human remains), Pip Parmenter (animal bone), Adam Wightman (worked flint) and Val Fryer (charred plant macro-fossils and other remains). Jane Roberts for cataloguing a sample of the coffin nails.

The project was monitored for Taylor Wimpey by Rob Masefield, RPS Group plc.

The project was monitored for CBCPS by Martin Winter and Jess Tipper.

9 References

Note: all CAT reports, except for DBAs, are available online in PDF format at <http://cat.essex.ac.uk>

- | | | |
|---|------|--|
| Allason-Jones, L | 1989 | <i>Earrings in Roman Britain</i> , BAR British Series 201 (Oxford) |
| Amand, M | 1952 | 'Objets en jais d'époque romaine découverts à Tournai', <i>Latomus</i> 11, 477-483 |
| Barber, B &
Bowsher, D
Barratt, J | 2000 | <i>The eastern cemetery of Roman London, excavations 1983-1990</i> , MoLAS Monograph 4 |
| | 1980 | 'The pottery of the later Bronze Age in lowland England' in <i>Proceedings of the Prehistoric Society</i> , Volume 46, 297-319 |
| Bass, W M | 1995 | <i>Human Osteology. A Laboratory and Field Manual</i> . Missouri Archaeological Society. |
| Borrill, H | 1981 | 'Casket burials' in C. Partridge, <i>Skeleton Green</i> , Britannia Monograph 2 (London), 304-18, 320-1 |
| Brickley, M &
McKinley, J I (eds). | 2004 | <i>Guidelines to the Standards for recording Human Remains</i> . IFA Paper No.7 |
| Brodribb, G | 1987 | <i>Roman brick and tile</i> |
| Brothwell, D R | 1981 | <i>Digging Up Bones</i> . Cornell University Press. |
| Brown, N | 1988 | 'A Late Bronze Age enclosure at Loft's Farm, Essex', <i>Proceeding of the Prehistoric Society</i> , Volume 54, 249-302 |
| Brown, N &
Glazebrook, J | 2000 | <i>Research and archaeology: a framework for the Eastern Counties 2. Research agenda and strategy</i> , East Anglian Archaeology Occasional Paper 8 |
| CAR 2 | 1983 | <i>Colchester Archaeological Report 2: The Roman small finds from excavations in Colchester 1971-9</i> , by N Crummy |
| CAR 5 | 1988 | <i>Colchester Archaeological Report 5: The post-Roman small finds from excavations in Colchester 1971-85</i> , by N Crummy |
| CAR 6 | 1992 | <i>Colchester Archaeological Report 6: Excavations at Culver Street, the Gilbert School, and other sites in Colchester 1971-85</i> , by P Crummy |
| CAR 8 | 1995 | <i>Colchester Archaeological Report 8: Roman vessel glass from excavations in Colchester, 1971-85</i> , by H E M Cool & J Price |
| CAR 9 | 1993 | <i>Colchester Archaeological Report 9: Excavations of Roman and later cemeteries, churches and monastic Sites in Colchester, 1971-88</i> , by N Crummy, P Crummy & C Crossan |
| CAR 10 | 1999 | <i>Colchester Archaeological Report 10: Roman pottery from excavations in Colchester, 1971-86</i> , by R Symonds and S Wade |
| CAT Report 54 | 2000 | <i>An archaeological evaluation at the Garrison Sports Ground, Circular Road North, Colchester: January 2000</i> |
| CAT Report 97 | 2000 | <i>An archaeological desk-based assessment of the Colchester Garrison PFI site</i> |
| CAT Report 138 | 2001 | <i>Archaeological excavations at the Garrison sports pitch, Circular Road North, Colchester, Essex (Abbey Field)</i> |
| CAT Report 184 | 2002 | <i>An Archaeological Evaluation by Fieldwalking and Geophysical Survey at Colchester Garrison PFI site, Colchester, Essex: May 2002</i> |
| CAT Report 193 | 2002 | <i>An archaeological watching brief at North Station Road (Victoria Inn), Colchester, Essex: February-May 2002</i> |
| CAT Report 206 | 2002 | <i>An archaeological evaluation by trial-trenching in Areas A, B, D, GJ, H, J, N, V and YP of the Colchester Garrison PFI site: June-July 2002</i> |
| CAT Report 292 | 2005 | <i>The Colchester Garrison PFI Project, Colchester, Essex: a report on the 2003 excavation of Areas 2, 6 and 10: August-November 2003</i> . Produced in association with RPS. |
| CAT Report 323 | 2010 | <i>An archaeological excavation at 1 Queens Road (Handford House, now 'Handford Place'), Colchester, Essex: February 2003-April 2004</i> |
| CAT Report 361 | 2006 | <i>Assessment report on the archaeological investigations carried out on Areas C1, C2, E, J1, O, Q and S1 of the Alienated Land, Colchester Garrison, including the Time Team trenches and the Alienated Land watching brief</i> |
| CAT Report 412 | 2009 | <i>Report for Taylor Wimpey on the archaeological investigations on the 'Alienated Land', Colchester Garrison: May 2004-October 2007</i> |
| CAT Report 413 | 2007 | <i>Stage 1b archaeological evaluation, Alienated Land Area H, Colchester Garrison, Colchester, Essex: January 2007</i> |
| CAT Report 424 | 2007 | <i>An archaeological excavation on the Abbey Field car-park, Circular Road North, Colchester, Essex: January-February 2007</i> |
| CAT Report 588 | 2012 | <i>An archaeological excavation on Alienated Land Area L/N, Goojerat</i> |

CAT Report 628	2016	<i>Barracks, Garrison, Colchester, Essex: June-July 2010</i> <i>A Late Iron Age dyke, Roman and Anglo-Saxon burials, a Roman coin hoard, and a Civil War fort: Stage 1b archaeological evaluation and Stage 2 excavation at Colchester Garrison Alienated Land Area A1 (former Meeanee & Hyderabad Barracks), Colchester, Essex: October-December 2010, January-March and July-September 2011</i>
CAT Report 652	2014	<i>Stages 2 & 3 archaeological monitoring and excavation on the Napier Road car parks and footpath (GAL Area B1b and C2), Colchester Garrison, Essex: February 2011 - January 2013</i>
CAT Report 722	2013	<i>Archaeological monitoring around Roman Circus House, Off Circular Road North, Colchester, Essex February 2012 - July 2013</i>
CAT Report 778	2015	<i>Roman burials, buildings, and enclosures west of Mersea Road, Colchester: Stage 3 archaeological excavation at Colchester Garrison Alienated Land Area E (GAL E): January 2013</i>
CAT Report 843	2015	<i>Archaeological trial trenching at the Arena Leisure Centre, Circular Road East, Colchester, Essex, Phase 1a: pre-determination trenching: April-May 2015</i>
CAT Report 1142	2017	<i>The Roman Circus and other remains: archaeological evaluation and monitoring at the former Arena Leisure Centre, Circular Road East, Colchester, Essex, CO2 7SZ, Stage 1b: pre-determination trenching May-June 2017</i>
CAT Report 1158	2017	<i>Archaeological monitoring and recording at the Water Tower, Butt Road, Colchester, Essex, CO3 3DG: May-July 2017</i>
CIfA	2014a	<i>Standard and guidance for archaeological excavation</i>
CIfA	2014b	<i>Standard and guidance for the creation, compilation, transfer and deposition of archaeological archives</i>
CIfA	2014b	<i>Standard and guidance for the collection, documentation, conservation and research of archaeological materials</i>
Cool, H E M	2008	'Glass vessels' in H. Rees, N. Crummy, P. J. Ottaway and G. Dunn, <i>Artefacts and society in Roman and medieval Winchester (Winchester)</i> , 78-98
Crummy, N	2010	'Bears and coins: the iconography of protection in late Roman infant burials', <i>Britannia</i> 41 , 37-93
Crummy, P, Benfield, S, Crummy, N, Rigby, V & Shimmin, D	2007	<i>Stanway: an élite burial site at Camulodunum</i> , Britannia Monograph 24 (London)
Curl, J	2014	<i>Human remains and cremated/burnt bone (Phases 1 & 2) in CAT Report 652</i>
D'Ambrosio, A	2001	<i>Women and beauty in Pompeii</i> (Rome)
Davidovits, F	2007	'The making of Ptolemaic Egyptian Blue pigment in Latin texts', <i>Proceedings of the Ninth International Congress of Egyptologists</i> (Leuven), 367-72
Davis, B, Richardson, B & Tomber, R	1994	<i>The archaeology of Roman London, 5: a dated corpus of early Roman pottery</i> , CBA Research Report 98
Déchelette, J	1914	<i>Manuel d'archéologie: second âge du fer</i> (Paris)
van Driel-Murray, C	1995	<i>Nailing Roman shoes</i> , Archaeological Leather Group Newsletter 1 , 6-7
Dunnett, R	1966	'Excavations on North Hill, Colchester, 1965' in <i>Archaeological Journal</i> 123 , 39-40
Durham, E & Fulford, M	2014	<i>A Late Roman town house and its environs: the excavations of C.D. Drew and K.C. Collingwood in Colliton Park, Dorchester, Dorset 1937-8</i> . Britannia Monograph Series No. 26 . The Society for the Promotion of Roman Studies, London.
Eckardt, H	1999	'The Colchester "Child's Grave"', <i>Britannia</i> 30 , 57-90
Eckardt, H	2002	<i>Illuminating Roman Britain</i> , Instrumentum Monograph 23 (Montagnac)
Eckardt, H	2014	<i>Objects and identities: Roman Britain and the north-western provinces</i> (Oxford)
Feugère, M	2002	'Mobilier métallique', <i>passim</i> in V. Bel, <i>Pratiques funéraires du Haut-Empire dans le Midi de la Gaule: la nécropole gallo-romaine du Valladas à Saint-Paul-Trois Châteaux (Drôme)</i> , Monographies d'Archéologie Méditerranéenne 11 (Lattes)
Fulford, M	1975	'Imported pottery from Germany in Late Roman Britain' in <i>Britannia</i> , Volume 6 , 171-181
Funari	1996	<i>Dressel 20 inscriptions from Britain and the consumption of Spanish</i>

- olive oil: with a catalogue of stamps, BAR British Series **250**
- Glazebrook, J (ed) 1997 *Research and Archaeology: a Framework for the Eastern Counties 1, resource assessment*, East Anglian Archaeology Occasional Paper **3**
- Going, C 1987 *The mansio and other sites in the south-eastern sector of Caesaromagus: the Roman pottery*, CBA Research Report **62**
- Gose, E 1950 *Gefasstypen der römischen keramik im Rheinland*
- Gurney, D 1998 *Roman Burials in Norfolk*. East Anglian Archaeology Occasional Paper No.4.
- Gurney, D 2003 *Standards for field archaeology in the East of England*, East Anglian Archaeology Occasional Paper **14**
- Hartley, B & Dickinson, B 2008 *Names on Terra Sigillata: Volume 2 (B to Cerotcus)*
- Höpken, C 2003 'Herstellung quarzkeramischer Melonenperlen im römischen Flottenlager Köln Alterburg: Terminologie – Technologie – Befund', in B. Liesen and U. Brandl (eds), *Römische Keramik. Herstellung und Handel. Kolloquium Xanten 15-17.6.2000*, Xantener Berichte **13**, 353-63
- Hull, M R 1958 *Roman Colchester*. Reports of the Research Committee of the Society of Antiquaries of London, no.**XX**.
- Johns, C 1997 *The Snettisham Roman jeweller's hoard* (London)
- Ling, R 1991 *Roman painting (Cambridge)*
- Lintz, G 2001 *La Nécropole gallo-romaine des Sagnes à Pontarion (Creuse)*, Mémoire de l'Association des Publications Chauvinoises 20 (Chauvigny)
- Lloyd-Morgan, G 1981 Description of the Collections in the Rijksmuseum G. M. Kam at Nijmegen 9: *The mirrors* (Nijmegen)
- Loeschcke, S 1919 *Lampen aus Vindonissa* (Zurich)
- Manning, W H 1985 *Catalogue of the Romano-British iron tools, fittings and weapons in British Museum* (London)
- Martin-Kilcher, S 2000 'Mors immatura in the Roman world — a mirror of society and tradition', in J. Pearce, M. Millett, and M. Struck (eds), *Burial, Society and Context in the Roman World* (Oxford), 63–77
- May, T 1930 *Catalogue of the Roman pottery in the Colchester and Essex museum*
- Mays, S 2004 *Human Bones from Archaeological Sites. Guidelines for producing assessment documents and analytical reports*. Centre For Archaeology Guidelines. English Heritage.
- Mays, S 2005 *Guidance for best practice for treatment of human remains excavated from Christian burial grounds in England*. The Church Of England. English Heritage.
- Medlycott, M 2011 *Research and Archaeology Revisited: a revised framework for the East of England*, East Anglian Archaeology Occasional Paper **24**
- McKinley, J I 1989 Cremations: expectations, methodologies and realities. In Roberts CA, Lee F, Bintliff J (eds.) *Burial archaeology: Current methods and developments*. British Archaeological Report, British Series **211**. British Archaeological reports, 1989
- McKinley, J I 1993 Bone fragment size and weights of bone from modern British cremations and the implications for the interpretation of archaeological cremations. *International Journal of Osteoarchaeology* 1993
- McKinley, J I 1994 *The Anglo-Saxon Cemetery at Spong Hill, North Elmham*. Part VIII: *The Cremations*. East Anglian Archaeology Report No. **69**.
- McKinley, J I 1995 *East London Romano-British Cemeteries: Cremation Burials and Cremation-Related Contexts*, unpublished report for MoLAS.
- McKinley, J I 2000 The analysis of cremated bone. In Cox, M, Mays, S (eds) *Human Osteology in Archaeology and Forensic Science*. London: Greenwich Medical Media 2000.
- McKinley, J I 2004 Compiling a skeletal inventory: cremated human bone. In Brickley, M and McKinley, J. I. (eds.) *Guidelines to the Standards for Recording Human Remains*. IFA paper No. **7**. BABAO and IFA 2004
- McKinley, J I 2014 *The Human Skeletal Remains* in Ashwin, T. And tester, A., 2014. *A Romano-British Settlement in the Waveney Valley: Excavations at Scole, 1993-4*. East Anglian Archaeology Report No. **152**.
- Mikler, H - *Die römischen Funde aus Bein im Landesmuseum Mainz*, Instrumentum Monograph **1** (Montagnac)
- Nuzzo, D 2000 'Amulet and burial in late antiquity: some examples from Roman cemeteries', in J. Pearce, M. Millett and M. Struck (eds), *Burial, Society*

- and Context in the Roman World (Oxford), 249–55
- Obmann, J 1997 *Die römischen Funde aus Bein von Nida-Hedderheim*, Schriften des Frankfurter Museums für Vor- und Frühgeschichte Archäologischen Museum XIII (Bonn)
- Oswald, F & Price, T 1920 *An introduction to the study of terra sigillata*
- Price, J & Cottam, S 1998 *Romano-British Glass vessels: a handbook*, CBA Practical handbook in archaeology **14**
- Rahtz, P A, Hirst, S & Wright, S M 2000 *Cannington cemetery: excavations 1962-3 of prehistoric, Roman, post-Roman and later features at Cannington Park Quarry, near Bridgwater, Somerset*, Britannia Monograph **17** (London)
- Riha, E 2001 Kästchen, Truhen, Tische – Möbelteile aus Augusta Raurica, Forschungen in Augst 31 (Augst)
- Roberts, C A 1988 A rare case of dwarfism from the Roman period. *Journal of Palaeopathology* **2**.
- Roberts, C & Manchester, K 1995 *The Archaeology Of Disease*. Sutton Publishing Limited.
- Roberts, P 2013 *Life and Death in Pompeii and Herculaneum* (London)
- RPS 2002 *Colchester Garrison Alienated Land outline archaeological project strategy proposal and quality plan*
- RPS 2004 *Research design for archaeological evaluations, excavations and watching briefs on Alienated Land, new garrison, Colchester*
- RPS 2007 *Written Scheme of Investigation (WSI) for Stage 2 Archaeological Excavation and Stage 3 Watching Brief on Area H, Colchester Garrison* Written 2007, revised 2008 & 2011
- RPS 2008 *Impact Assessment for Colchester Roman Circus - Addendum to Chapter 15 (Cultural Heritage) of the MoD Colchester Garrison PFI: Composite Environmental Statement* (Atkins, 2002)
- Saunders, C 1985 'The burial casket' in R. Niblett, *Sheepen: an early Roman industrial site at Camulodunum*, CBA Research Report 57 (London), microfiche I: A9-13
- Sealey, P 1985 *Amphoras from the 1970 excavations at Colchester Sheepen*, BAR British Series **142**
- Shimmin, D 1998 *A Late Iron Age and Roman occupation site at Kirkee McMunn barracks, Colchester, Essex*. Essex Archaeology and History, vol **29**, pp 260-269.
- Shipman, P, Foster, G, & Schoeninger, M 1984 Burnt bones and teeth: An experimental study of colour, morphology, crystal structure and shrinkage. *Journal of Archaeological Science* 1984
- Stead, I, Flouest, J-L & Rigby, V 2006 *Iron Age burials in Champagne*
- Tuffreau-Libre, M 1992 *La ceramic en Gaule Romaine*
- Tyers, P 1996 *Roman pottery in Britain*
- Waldron, T 2003 The human remains in Thomas, et al, 2003. *Later Prehistoric and Romano-British Burial and Settlement at Hucclecote, Gloucestershire. Excavations in advance of the Gloucester Business Park Link Road, 1998*. Bristol and Gloucestershire Archaeological Report No. **2**. Cotswold Archaeology.
- Wickendon, N 1988 *Excavations at Great Dunmow, Essex: a Romano-British small town in the Trinovantian civitas*, EAA **41**
- Wild, J P 1977 *Vindolanda III: The Textiles*. Hexham, Northumberland: Vindolanda Trust
- Wild, J P 1983 'Textile fragments from the later Butt Road cemetery', in N. Crummy (ed.), *The Roman Small Finds from Excavations in Colchester 1971-9*, Colchester Archaeological Report **2**, 147-8
- Willis, S 2011 'Samian ware and society in Roman Britain and beyond' in *Britannia* Volume **42**, 167-242

10 Abbreviations and glossary

Anglo-Saxon	period from c 500 – 1066
Bronze Age	period from c 2500 – 700 BC
Bronze Age (Early)	Early Bronze Age, period from c 2500 – 1500 BC
Bronze Age (Middle)	Middle Bronze Age, period from c 1500 – 1000 BC
Bronze Age (Late)	Late Bronze Age, period from c 1000 – 700 BC
CAT	Colchester Archaeological Trust
CBC	Colchester Borough Council
CBCAA	Colchester Borough Council Archaeological Advisor
CBCPS	Colchester Borough Council Planning Services
CBM	ceramic building material, ie brick/tile
CHER	Colchester Historic Environment Record (previously UAD, Urban Archaeological Database)
ClfA	Chartered Institute for Archaeologists
context	a single unit of excavation, which is often referred to numerically, and can be any feature, layer or find
feature (F)	an identifiable thing like a pit, a wall, a drain: can contain ‘contexts’
<i>in situ</i>	in its original place
Iron Age	period from 700 BC to Roman invasion of AD 43
Iron Age (Early)	Early Iron Age, period from c 600 – 400BC
Iron Age (Middle)	Middle Iron Age, period from c 400 – 100BC
Iron Age (Late)	Late Iron Age (LIA), period from c 100 – 50 BC to Roman invasion of AD 43
layer (L)	distinct or distinguishable deposit (layer) of material
medieval	period from AD 1066 to c 1500
Mesolithic	period from c 10,000 – 4000BC
modern	period from c AD 1800 to the present
natural	geological deposit undisturbed by human activity
Neolithic	period from c 4000 – 2500 BC
Neolithic (Early-Middle)	Early-Middle Neolithic, period from c 4000 – 2900 BC
Neolithic (Late)	Late Neolithic, period from c 2900 – 2500 BC
NGR	National Grid Reference
OASIS	O nline A ccess to the I ndex of A rchaeological I nvestigations, http://oasis.ac.uk/pages/wiki/Main
Palaeolithic	period c 800,000 BC to c 10,000BC
post-medieval	period from c AD 1500 to c 1800
prehistoric	pre-Roman
residual	something out of its original context, eg a Roman coin in a modern pit
RIC	Roman Imperial Coinage
Roman	the period from AD 43 to c AD 410
section	(abbreviation sx or Sx) vertical slice through feature/s or layer/s
wsj	written scheme of investigation

11 Contents of archive

Finds:

Plastic boxes

- Two boxes iron small finds
- One box of other metal small finds
- One box of non-metal and glass small finds
- One box of iron nails from cremations

Cardboard boxes

- 32 boxes of pottery (16 of whole (or near complete) and illustrated vessels)
- 13 boxes of human remains (cremations and inhumations)
- Two boxes of animal bone and miscellaneous finds
- Two boxes of recorded iron coffin nails
- One box of retained ceramic building material
- One box of flint residues

Crates

- Two crates of unrecorded iron coffin nails
- One crate of worked stone

Paper and digital records:

Four A4 ring-binders and one A3 ring-binder containing:

The report (CAT Report 1033)

RPS written scheme of investigation

Original site records (attendance register; feature and layer sheets; finds records; plans, sections and profiles; cremation urn excavation sheets; site digital photos and log)

Post-excavation records (inked plans, sections, profiles and illustrations; x-ray plates; finds data)

CDs containing photographic archive and digital site data

12 Archive deposition

The paper and digital archive is currently held by the Colchester Archaeological Trust at Roman Circus House, Roman Circus Walk, Colchester, Essex, CO2 7GZ, but will be permanently deposited with Colchester Museum under accession code COLEM: 2012.50.

Distribution list:

RPS Group plc
Taylor Wimpey
Jess Tipper, Colchester Borough Council Place Services
Essex Historic Environment Record



Colchester Archaeological Trust

Roman Circus House
Roman Circus Walk,
Colchester,
Essex CO2 7GZ

tel.: 01206 501785

email: lp@catuk.org

Checked by: Philip Crummy

Date: 13/11/2017

Appendix 1 Burial list

All burials listed in numerical order.

(H1) and (H2) refers to cemetery areas Area H1 and Area H2.

All pottery identifications by Stephen Benfield

All small find, bulk metalwork and glass vessel identifications and comments by Nina Crummy

HF3: urned cremation burial (H2) (Fig 11)

Description: Pit HF3 was a round feature, 0.56m by 0.50m and 0.30m deep, containing an urned cremation burial. It cut inhumation burials HF149 and HF208, and was sealed by post-medieval pit HF27.

Cremated human bone: One thousand four hundred and sixty-seven fragments of cremated human bone were excavated from the cremation urn weighing 1642g. The individual was female and a small adult.

Burial goods: A jar (HF3.1) had been used as a cremation urn and a small dish/bowl (.2) was found inside the urn. The dish/bowl was incomplete when buried and may have been used as a lid for the urn.

Residual finds: Twenty-one pottery sherds.

Date: Early/mid 2nd to mid/late 3rd century.

HF3.1 H(11). Fig 11. Cam 231/232 jar, Fabric GX (2950g). Most of vessel present as sherds, rim and base incomplete, faint girth groove. Mid 1st to the late 2nd century.

HF3.2 H(11). Fig 11. Cam 40B dish/bowl, Fabric GB (92g). Part pot found inside the cremation urn, possibly used as a lid; part complete with two loose sherds, some old breaks. Early/mid 2nd to the mid/late 3rd century.

HF4: unurned cremation burial (H2)

Description: Pit HF4 was an oval feature, 0.43m by 0.40m and 0.10m deep, containing a very disturbed cremation burial. It cut/seals inhumation burials HF13, HF15, HF18 and HF50.

Cremated human bone: Twenty-three fragments of cremated human bone were excavated weighing 22g.

Burial goods/residual finds: Three pottery sherds and one iron nail.

Date: Roman.

HF4.1 H(6). Pottery sherds AJ D20, BX(EG) Dr 37, BA(EG) (17g).

HF4.2 H(6). Complete iron nail. Length 28mm. It is probably too thick to be from a wooden box or small chest.

HF5: urned cremation burial (H2) (Fig 12)

Description: Pit HF5 was an oval feature, 0.38m by 0.35m and 0.15m deep, containing an urned cremation burial. It cuts inhumation burial HF21.

Cremated human bone: One hundred and twenty fragments of cremated human/probably human bone were excavated from the cremation urn weighing 30g.

Burial goods: A carinated bowl (HF5.1) had been used as a cremation urn.

Residual finds: Six pottery sherds.

Date: Mid/late 1st to the early 2nd century.

HF5.1 H(8). Fig 12. Cam 227 carinated bowl, Fabric GX (280g). Much of pot present, lower part complete, upper part broken into sherds, some rim and body sherds missing, abraded. Mid/late 1st to the early 2nd century.

HF6: urned cremation burial (H2) (Fig 12)

Description: Pot scatter HF6 had no discernible edges. It was probably a very disturbed urned cremation burial.

Cremated human bone: Fifty-seven fragments of cremated human/probably human bone were excavated weighing 60g.

Burial goods: A jar (HF6.1) had been used as a cremation urn.

Residual finds: Eight pottery sherds.

Date: Mid 1st to the late 2nd century.

HF6.1 H(18). Fig 12. Cam 231/232 jar, Fabric GX(BSW) (1278g). Most of pot, quite broken-up, part of rim missing, possible other sherds are also missing. Mid 1st to the late 2nd century.

HF10: inhumation burial (H2)

Description: Inhumation burial HF10 was located within a grave measuring 1.80m by 1.05m and 0.35m deep, and aligned northwest to southeast. It cut inhumation burial HF357.

Human bone: No human bone had survived.

Residual finds: Thirty-one pottery sherds, four iron nails and one piece of Roman flue tile (115g).

Date: Mid 1st to the 2nd century (date based on residual pottery sherds)

HF11: unurned cremation burial (H2)

Description: Pit HF11 was an oval feature, 0.44m by 0.39m and 0.06m deep, containing a very disturbed cremation burial. It cut inhumation burial HF341.

Cremated human bone: Six fragments of cremated human bone were excavated weighing 9g.

Burial goods/residual finds: Three pottery sherds.

Date: Mid 1st to the 2nd century

HF11.1 H(21). Pottery sherds. Fabric GX, DJ (16g). Mid 1st to the 2nd century.

HF12: inhumation burial (H2)

Description: Inhumation burial HF12 was located within a grave measuring 0.70m by 0.34m and 0.20m deep, and aligned northwest to southeast.

Human bone: No human bone had survived.

Residual finds: Six iron nails and one piece of burnt flint (5g).

Date: Roman

HF13: inhumation burial (H2)

Description: Inhumation burial HF13 was located within a very shallow grave aligned northwest to southeast. The grave petered out to the southeast but the grave measured approximately 1.70m by 0.50m and 0.11m deep.

Human bone: No human bone had survived.

Residual finds: Two pottery sherds and one iron hobnail.

Date: Roman

HF15: inhumation burial (H2)

Description: Inhumation burial HF15 was located within a grave measuring 1.54m by 0.55m and 0.19m deep, and aligned northeast to southwest. It cut inhumation burials HF18 and HF50.

Human bone: No human bone had survived.

Residual finds: Eighteen pottery sherds and two iron nails.

Date: Roman

HF16: unurned cremation burial (H2)

Description: Pit HF16 was a round feature, 0.45m in diameter and 0.21m deep, containing an unurned cremation burial. It cut inhumation burial HF221.

Cremated human bone: Two hundred and forty-nine fragments of cremated human/probably human bone were excavated weighing 271g.

Date: Roman

HF17: inhumation burial (H2)

Description: Inhumation burial HF17 was located within a grave measuring 1.20m by 0.55m and 0.21m deep, and aligned northeast to southwest. It had been cut across the upper fill at the northeast end by inhumation burial HF13. It cut inhumation burials HF36 and HF50.

Human bone: No human bone had survived.

Residual finds: Six pottery sherds, four pieces of Roman brick and tile (7g), one iron nail and one fragment of iron slag (possibly part of a hearth base) (67g).

Date: Mid 2nd to the early 3rd century (date based on residual pottery sherds)

HF18: inhumation burial (H2) (Fig 13)

Description: Inhumation burial HF18 was located within a grave measuring 1.85m by 0.60m and 0.49m deep, and was aligned northeast to southwest with the head buried to the northeast. The upper fill of the grave had been cut by inhumation burial HF15. It cut inhumation burial HF50.

Human bone: One hundred and thirty-two fragments of human bone were excavated weighing 276g. The individual was an adult who showed signs of arthritis.

Residual finds: Fifty-six pottery sherds and one iron nail.

Date: Mid 1st to the early 2nd century (date based on residual pottery sherds)

HF19: inhumation burial (H2) (Fig 13)

Description: Only part of inhumation burial HF19 was located inside the excavation area. The excavated grave measured 0.69m by 0.72m and 0.50m deep, and was aligned northeast to southwest.

Human bone: No human bone had survived.

Burial goods: A jar (HF19.1) and small narrow necked jar/flask (.2) had been placed in the northeast end of the grave.

Residual finds: Ten pottery sherds.

Date: Mid/late 2nd to the 4th century.

HF19.1 H(39). Fig 13. Cam 218 jar, Fabric GX (299g). Near complete, presumed whole when buried, one half of pot broken into sherds, most of rim detached as sherds (EVE 0.45). Mid 1st to the early 2nd century.

HF19.2 H(55). Fig 13. Cam 280 small narrow necked jar/flask, Fabric GX (162g). Whole pot possibly a miniature vessel, squat body with small cordon at the base of the neck, grey abraded surfaces, a small sherd has recently become detached from the rim edge (present with vessel). Mid/late 2nd to the 4th century.

HF20: inhumation burial (H2)

Description: Inhumation burial HF20 was cut through at one end by a modern service trench and had been cut by inhumation burial HF19. The excavated grave measured 1.56m long, 0.93m wide and 0.21m deep, and was aligned northwest to southeast.

Human bone: No human bone had survived.

Burial goods: A small jar/beaker (HF20.1) had been placed at the northwest end.

Residual finds: Three pottery sherds.

Date: Mid to the late 1st century.

HF20.1 H(43). Cam 104 type small jar/beaker in moderately thick, sandy coarseware, Fabric GX, near complete, broken into several large sherds (263g). Mid to the late 1st century.

HF21: inhumation burial (H2)

Description: Only part of inhumation burial HF21 was located inside of the excavation area. The excavated grave measured 1.71m by 0.58m and 0.23m deep, and was aligned northwest to southeast. It is cut by urned cremation HF5.

Human bone: No human bone had survived.

Residual finds: Fifty-three pottery sherds.

Date: Roman

HF22: pit containing pyre debris (H2)

Description: Pit HF22 was a round feature, 0.58m in diameter and 0.21m deep, containing pyre debris in the form of cremated human bone and charcoal scattered throughout.

Cremated human bone: Seventy-three fragments of cremated human/probably human bone were excavated weighing 127g.

Environmental remains: Environmental remains included wheat grains and a number of small legumes, probably from dried herbage used as tinder, kindling or fuel within the pyres.

Burial goods/residual finds: Seven pottery sherds and one piece of Roman brick/tile (11g).

Date: Mid 2nd to the late 3rd/early 4th century

HF22.1 H(52). Pottery sherds. Fabric DJ, Cam 268 Fabric GX (175g). Mid 2nd to the late 3rd/early 4th century

HF29: pit containing pyre debris (H2)

Description: Pit HF29 was a round feature, 0.45m in diameter and 0.13m deep, containing pyre debris in the form of cremated human bone and charcoal scattered throughout. It cut pit containing pyre debris HF38.

Cremated human bone: One hundred and twenty-eight fragments of cremated human bone were excavated weighing 40g.

Burial goods/residual finds: A near complete ceramic lamp, five pottery sherds, three/four iron hobnails and nineteen iron nails.

Date: Late 1st or 2nd century +.

HF29.1 H(59), SF160. Fig 74. Burnt ceramic factory lamp of Loeschcke Type lxb (1919, pl. 1), missing most of the nozzle; fabric originally red or orange-red. Length 73mm, body height 22mm, height with handle 30mm. Over-use of the mould for the lamp, or perhaps the repeated manufacture of new moulds from old lamps, has resulted in the lugs on its shoulder and the discus design above the filling-hole being reduced to raised bosses (Eckardt 2002, 199). This debased form dates the lamp to the late 1st or 2nd century, perhaps even slightly later.

HF29.2 H(57). Pottery sherds, Fabric DJ (21g). Roman.

HF29.3 H(58). Three-four iron hobnails. B) **SF14.** Length 17mm. D) **SF16.** Length 11mm. E) **SF17.** With human bone attached, length 15mm. C) **SF15.** Amorphous lump, probably originally a hobnail, 17 by 12 by 9mm.

HF29.4 H(57). Eighteen nails and nail shaft fragments. A) Shaft fragment, length 52mm. B) Length 38mm. C) Complete, length 56mm. D) Complete, length 61mm. E) Length 35mm. F) Complete, length 43mm. G) Three nails, two complete, lengths 54, 46 and 35mm. H) Complete, length 55mm. I) Length 54mm. J) Shaft fragment, length 35mm. K) Complete, length 57mm. L) Length 40mm. M) Length 41mm. N) Complete, length 54mm. O) Complete, length 57mm. P) Complete, length 79mm.

HF29.5 H(58), SF13. A) Burnt iron nail shank fragment, length 19mm.

HF30: pit containing pyre debris (H2)

Description: Pit HF30 was an oval feature, 0.67m by 0.51m and 0.10m deep, containing pyre debris in the form of cremated human bone and charcoal scattered throughout.

Cremated human bone: Three fragments of cremated human/probably human bone were excavated weighing 2g.

Burial goods/residual finds: Five pottery sherds and one iron nail.

Date: Mid 1st to the 2nd/3rd century

HF30.1 H(61). Pottery sherds, Fabric GX, DJ (14g). Mid 1st to the 2nd/3rd century.

HF30.2 H(62). Complete iron nail. Length 38mm.

HF31: pit containing pyre debris (H2)

Description: Pit HF31 had been cut by a modern service trench. The surviving feature measured 0.64m by 0.50m and 0.20m deep, and contained pyre debris in the form of cremated human bone and charcoal scattered throughout.

Cremated human bone: Thirty-seven fragments of cremated human/probably human bone were excavated weighing 58g.

Date: Roman

HF32: pit containing pyre debris (H2)

Description: Pit HF32 was a round feature, 0.75m in diameter and 0.18m deep, containing pyre debris in the form of cremated human bone and charcoal scattered throughout. It cut pit containing pyre debris HF39.

Cremated human bone: Four fragments of cremated human/probably human bone was excavated weighing 1g.

Burial goods/residual finds: Twenty pottery sherds (including one burnt sherd), a copper alloy sheet fragment and iron plate/strip probably from a wooden box or chest, an iron nail and tessera cube (21g).

Date: Mid 2nd to the 3rd century.

HF32.1 H(72). Pottery sherds. Fabric DJ, BA(CG) (?) burnt fragment possibly samian, GB, GX. Mid 2nd to the 3rd century.

HF32.2 H(75), SF5. Burnt copper-alloy sheet fragment, encrusted with charred soil. 19 by 14mm.

HF32.3 H(74), SF6. Burnt iron plate or strip fragment with a stud head *in situ*. 35 by 33mm.

HF33: disturbed burial feature (H2) (Fig 14)

Description: Pot scatter HF33 had no discernible edges. It was probably originally part of a cremation burial or pit containing pyre debris.

Human bone: One fragment of cremated human/probably human bone was excavated weighing 1g.

Burial goods/residual finds: Part of a flask (HF33.1) was probably originally a burial good. It was found with eleven other pottery sherds and one fragment of burnt flint (38g).

Date: Mid 1st to the 2nd century

HF33.1 H(60). Fig 14. Cam 231/232 flask, Fabric GX(BSW) (382g). Part of pot, sherds missing from rim, body and base, presumed whole when deposited, lattice decorated on shoulder bulge, back surface. Mid 1st to the 2nd century.

HF33.2 H(60). Pottery sherds. Fabrics FJ, GX includes jar base (122g) found with broken flask, possibly not associated as no other sherds from this vessel present.

HF35: pit containing pyre debris (H2)

Description: Pit HF35 was a round feature, 0.36m in diameter and 0.10m deep, containing pyre debris in the form of cremated human bone and charcoal scattered throughout.

Cremated human bone: Eight fragments of cremated human/probably human bone were excavated weighing 8g.

Burial goods/residual finds: Five pottery sherds, thirteen iron hobnails, one iron nail (probably from a box or small chest) and two amorphous iron lumps.

Date: Roman

HF35.1 H(80). Pottery sherds. Fabric GX, DJ and BASG (19g). Roman.

HF35.2 H(79). Thirteen hobnails from nailed leather footwear. A) Length 20mm. B) Length 18mm. B) Length 21mm. E) Length 17mm. F) Length 16mm. G) Length 17mm. I) Length 14mm. J) Length 18mm. Ki) Two, lengths 18 and 21mm. L) Length 18mm. M) Length 19mm. N) Length 21mm. O) Length 18mm.

HF35.3 H(79). D) Thin nail, complete, length 33mm. Almost certainly from a box or small chest.

HF35.4 H(79). H) Amorphous iron lump, 25 by 21 by 18mm. Kii) Amorphous iron lump with flint grit embedded in the corrosion, 18 by 18 by 18mm.

HF36: inhumation burial (H2) (Fig 14)

Description: Inhumation burial HF36 was located within a grave measuring 1.10m by 0.76m and 0.52m deep, and aligned northwest to southeast. It was cut by inhumation burial HF17 but cut inhumation burial HF57.

Human bone: Three fragments of human bone were excavated weighing 2g.

Timber coffin: Seven fragments of iron show that the body had been buried within a wooden coffin with iron corner bindings (HF36.1-.4). The coffin measured approximately 0.50m long by 0.25m wide.

Residual finds: Forty-six pottery sherds and three fragments of burnt flint (53g). Thirty-eight of the pottery sherds were from the lower part of a flagon and may represent a vessel from an earlier disturbed burial.

Date: Late 2nd to the mid 3rd century (dating from residual pottery sherds).

HF36.1 H(69), SF27. Three thin iron plate fragments, each with a stud *in situ*. a) Stud in the only surviving corner, small chip of copper-alloy sheet attached to the underside. 49 by 34mm. b) Stud in the only surviving corner and mineral-replaced wood on the underside. 39 by 32mm. c) Small fragment, stud in the centre. 21 by 18mm.

HF36.2 H(71), SF26. Two thin iron plates with studs *in situ*. a) In three fitting fragments, two studs about 34mm apart, not close to the surviving edge, and mineral-replaced wood on the underside. 49 by 44mm. b) Stud near a surviving edge but missing its head, and mineral-replaced wood on the underside, 46 by 45mm; a small fragment

with a stud *in situ* probably fits to fragment b, shank clenched. 22 by 20mm. When found, fragments a and b were set at right angles to each other, presumably attached at the least well-preserved edges.

HF36.3 H(93), SF28. Small thin iron plate fragment, with mineral-replaced wood on the underside. 24 by 14mm.

HF36.4 H(70), SF29. Thin iron plate fragment, with mineral-replaced wood on the underside. 35 by 33mm.

HF37: pit containing pyre debris (H2)

Description: Pit HF37 was a round feature, 0.46m by 0.41m and 0.11m deep, containing pyre debris in the form of charcoal.

Cremated human bone: No human bone was recorded.

Burial goods/residual finds: Nine pottery sherds and an iron hobnail.

Date: Mid/late 3rd to the 4th century

HF37.1 H(84). Pottery sherds. Folded beaker, Cam 407, Fabric CZ (6G). Fabric DJ (13g). Mid/late 3rd to the 4th century.

HF37.2 H(84), SF106. Burnt iron hobnail, length 17mm.

HF38: pit containing pyre debris (H2)

Description: Pit HF38 had been cut in half by pit containing pyre debris HF29 but it would have been a round feature, 0.40m in diameter and 0.11m deep, containing pyre debris in the form of charcoal.

Cremated human bone: No human bone was recorded.

Burial goods/residual finds: One copper alloy coin, a pottery sherd, two iron nails and one iron hobnail.

Date: Late 3rd century +

HF38.1 H(82). Pottery sherds, Fabric GX (5g). Roman.

HF38.2 H(25), SF2. Copper-alloy barbarous radiate *antoninianus*, AD 270-94. Obverse: -/C TETRICVS /-, radiate and draped bust right. Reverse: worn smooth. Diameter 17mm; weight 1.73g.

HF38.3 H(82). Iron hobnail, head broken, length 17mm.

HF38.4 H(82). Two complete iron nails, lengths 47 and 45mm.

HF39: pit containing pyre debris (H2)

Description: Pit HF39 had been cut by HF32, HF40 and HF41/107, but it would have been a round feature 0.46m in diameter and 0.08m deep, containing pyre debris in the form of charcoal.

Cremated human bone: No human bone was recorded.

Date: Roman

HF40: pit containing pyre debris (H2)

Description: Pit HF40 was an oval feature, 0.82m by 0.65m and 0.33m deep, containing pyre debris in the form of cremated human bone and charcoal scattered throughout. It cuts pits containing pyre debris HF39 and HF41/HF107.

Cremated human bone: Two hundred and seventy-three fragments of cremated human/probably human bone were excavated weighing 147g. A further 34 fragments (19g) were excavated which includes human/probably human, mammal and cattle bone.

Burial goods/residual finds: A scorched fragment of a blue-green glass vessel had probably been burnt on the pyre. Other finds included fourteen pottery sherds, three fragments of Roman brick/tile (29g), and one piece of limestone chalk (86g).

Date: Mid 2nd to the late 3rd/early 4th century

HF40.1 H(109). Scorched fragment from the concave base of a blue-green glass vessel. 28 by 19mm; thickness 2.5-4 mm.

HF40.2 H(109). Pottery sherds. Fabrics DJ, GX Cam 268, MQ (frilled rim) (116g). Mid 2nd to the late 3rd/early 4th century.

HF41/HF107: pit containing pyre debris (H2)

Description: Pit HF41/HF107 was an oval feature, 0.83m by 0.60m and 0.11m deep, containing some pyre debris in the form of charcoal. It was cut by pit containing pyre debris HF40 but cut by HF39.

Cremated human bone: One hundred and twenty fragments of cremated human remains were excavated weighing 40g.

Burial goods/residual finds: Twenty-seven pottery sherds were recovered, fifteen of which were burnt and may represent burial goods burnt on a pyre along with an amorphous puddle of green glass. They were scattered throughout the fill along with seven iron hobnails and one iron nail.

Residual finds: Fragment of iron tap slag.

Date: Late 2nd to the 3rd/4th century

HF41.1 H(114). Pottery sherds. Fabrics DJ Cam 155, GA (bowl form). Mid 2nd to the 3rd/4th century.

HF41.2 H(211, 228). Pottery sherds. Fabrics BA(CG) Dr 18/31 or 31, DJ, GB Cam 37B, GX. Late 2nd to the 3rd century.

HF41.3 H(210a), SF154. Burnt iron hobnails or hobnail fragments. A) One or two, length 16mm. B) One or two, length 10mm. C) Two, heads only. D) Amorphous fragment, ?hobnail, length 18mm.

HF41.4 H(210e). Incomplete iron nail, length 14mm.

HF41.5 H(216). Amorphous puddle of green glass with soil adhering. 35 by 16 by 9mm; weight 5g.

HF41.6 H(218). Iron tap slag fragment, with broken edges. Weight 65.4g.

HF42: possible burial feature (H2)

Description: Only part of HF42 was located inside the excavation area. The excavated feature measured 0.70m by 0.26m and 0.16m deep.

Date: Roman?

HF43: inhumation burial (H2)

Description: Most of HF43 had been cut away by later features. The excavated grave measured 0.80m by 0.55m, and was aligned northwest to southeast.

Human bone: No human bone had survived.

Date: Roman.

HF45: pit containing pyre debris (H2)

Description: Pit HF45 was an oval feature, 0.51m by 0.31m and 0.07m deep, containing pyre debris in the form of cremated human bone and charcoal scattered throughout.

Cremated human bone: Sixteen fragments of cremated human/probably human bone were excavated weighing 27g.

Burial goods/residual finds: Five pottery sherds, two iron nails and one fragment of burnt flint (3g).

Date: Roman

HF45.1 H(98). Pottery sherds. Fabric MQ, GX, DJ (9g). Roman.

HF45.2 H(98). Two iron nails, one complete, lengths 27 and 21mm. Although short at 27mm the complete nail is probably too thick to be from a small box.

HF47: pit containing pyre debris (H2)

Description: Pit HF47 was an oval feature, 0.77m by 0.54m and 0.16m deep, containing pyre debris in the form of cremated human bone and charcoal scattered throughout.

Cremated human bone: One hundred and eleven fragments of cremated human bone were excavated weighing 86g.

Burial goods/residual finds: Forty-one pottery sherds, fifteen of which were burnt and may represent burial goods burnt on the pyre, six iron hobnails, seven iron nails and four iron lumps.

Date: Early to mid 2nd century

HF47.1 H(65, 88, 113). Pottery sherds. Fabrics BA(CG) (base sherd from a platter/dish, burnt, appears CG (otherwise possibly burnt BA(MDV)), CZ, DJ collared flagon (burnt), GX. Early to mid 2nd century.

HF47.2 H(89). Six iron hobnails or hobnail shanks. A) Length 11mm. G) Length 17mm. H) Length 14mm. J) Length 20mm. M) Length 21mm. N) Shank only, length 17mm. P) Length 18mm. T) Length 14mm.

HF47.3 H(89). Iron nails or nail shank fragments. B) Length 22mm. D) Head only, diameter 11mm. E) Shaft fragment, length 17mm. L) Shaft fragment, length 26mm. O) Length 42mm. R) Shaft fragment, length 20mm. S) Shaft fragment, length 20mm.

HF47.4 H(89). Four amorphous iron lumps are fragments of either hobnails or nails. F) 13 by 10 by 10mm. I) 13 by 12 by 10mm. K) 15 by 14 by 12mm. Q) 16 by 14 by 13mm.

HF48: inhumation burial (H2)

Description: Inhumation burial HF48 had been cut through the southeastern end by a modern service trench. The surviving grave measured 1.30m by 0.60m and 0.41m deep, and was aligned northwest to southeast. It cut inhumation burial HF348.

Human bone: Two fragments of human bone were excavated weighing 3g.

Timber coffin: Nine iron coffin nails show that the body had been buried in a coffin.

Residual finds: Fifty-three pottery sherds and three fragments of burnt flint (35g)

Date: Mid 2nd to the late 3rd/early 4th century (residual pottery sherds)

HF50: inhumation burial (H2) (Fig 15)

Description: Inhumation burial HF50 was located within a grave measuring 1.48m by 0.68m and 0.75m deep, and aligned northwest to southeast. It had been cut by inhumation burials HF13, HF15, HF17 and HF18.

Human bone: No human bone had survived.

Timber coffin: Twenty-one iron coffin nails show that the body had been buried in a coffin measuring approximately 0.92m by 0.48m.

Residual finds: Nine pottery sherds and two fragments of Roman tile and imbrex (317g).

Date: Roman.

HF51: inhumation burial (H2)

Description: Only part of inhumation burial HF51 was located inside the excavation area and it had also been cut by post-medieval pit HF27. The surviving grave measured 1.06m by 0.80m and 0.79m deep, and was aligned northeast to southwest. It cut inhumation burial HF149.

Human bone: No human bone had survived.

Timber coffin: Seventeen iron coffin nails show that the body had been buried in a coffin measuring approximately 0.50m wide.

Residual finds: Nineteen pottery sherds from a flagon possibly represent a disturbed burial pot from either this grave or an earlier feature. Six other pottery sherds were also identified.

Date: Roman.

HF52: pit containing pyre debris (H2)

Description: Pit HF52 was an oval feature, 0.97m by 0.76m and 0.16m deep, containing pyre debris in the form of cremated human bone and charcoal scattered throughout. It cut pit containing pyre debris HF54.

Cremated human bone: Seven fragments of cremated human/probably human bone were excavated weighing 18g.

Burial goods/residual finds: Thirty-one pottery sherds, six iron nails and one iron strip.

Date: 2nd to 3rd century

HF52.1 H(116). Pottery sherds. Fabric ON (beaker), DJ (flagons) (81g). 2nd to the 3rd century.

HF52.2 H(117), SF7. Thin iron strip with a broken return at one end, possibly a box fitting. There is a round rivet or stud hole in the centre and one in each corner at the unbent end, a shank fragment remains *in situ* in one. 36 by 28mm; length of return 10mm.

HF52.3 H(116). Three incomplete iron nails and three clenched nail shank fragments. Lengths 35, 23 and 22mm, 40 (bent), 31 (bent) and 30 (bent) mm.

HF54: pit containing pyre debris (H2)

Description: Pit HF54 had been cut in half by pit HF52. The surviving feature measured 0.45m by 0.34m and 0.15m deep, and contained pyre debris in the form of cremated human bone and charcoal scattered throughout.

Cremated human bone: Three fragments of cremated human/probably human bone were excavated weighing 2g.

Burial goods/residual finds: Five pottery sherds.

Date: Mid 1st to the 2nd/3rd century

HF54.1 H(126). Pottery sherds. Fabrics DJ (small bowl/jar rim), GX (18g). Mid 1st to the 2nd/3rd century.

HF56: inhumation burial (H2)

Description: Only part of inhumation burial HF56 was located inside of the excavation area. It had also been cut by inhumation burials HF81 and HF172. The surviving feature measured 0.90m by 0.64m and 0.42m deep, and was aligned northeast to southwest. It cut inhumation burial HF207.

Human bone: No human bone had survived.

Timber coffin: Two iron plates and an iron stud probably represent coffin fittings (HF56.1-.3). A further thirteen iron nails, possibly coffin nails, were identified along the northeastern edge of the feature where it had been cut by inhumation burial HF81. The coffin had been much disturbed.

Date: Roman.

HF56.1 H(121), SF8. Thin iron plate fragment with a stud *in situ* in the surviving corner and mineral-replaced wood on the underside. 46 by 38mm.

HF56.2 H(122), SF9. Thin iron plate with plate with a stud in the two surviving corners and mineral-replaced wood on the underside. 49 by 41mm.

HF56.3 H(123), SF10. Iron stud with a small piece of thin iron plate attached and mineral-replaced wood on the shank. 19 by 19mm, stud 18mm long.

HF57: inhumation burial (H2)

Description: Only part of inhumation burial HF57 was located inside of the excavation area. It had also been cut by inhumation burial HF36 and urned cremation HF209. The surviving feature measured 0.59m by 0.55m, and if it was aligned north to south.

Human bone: No human bone had survived.

Burial goods/residual finds: Many pottery sherds from a Cam 268 jar (HF57.1) were found in this feature and may represent a disturbed burial pot from this grave or from an earlier feature. Eight other pottery sherds were also recorded.

Date: Mid 2nd to the late 3rd/early 4th century.

HF57.1 H(132). Pottery sherds. Cam 268, much of one pot (grave pot or disturbed from earlier burial) (423g). Mid 2nd to the late 3rd/early 4th century.

HF58: inhumation burial (H2)

Description: Inhumation burial HF58 had been cut through at one end by inhumation burials HF69 and HF70. The surviving grave measured 1.70m by 0.62m, and was aligned northwest to southeast. It cut inhumation burial HF152.

Human bone: Human bone was excavated weighing 201g.

Burial goods/residual finds: Fifteen sherds from a jar (HF58.1) were found in this feature and may represent a disturbed burial pot from this grave or from an earlier feature. Thirty-eight pottery sherds were also identified.

Date: Roman.

HF58.1 H(135) Pottery sherds. Red oxidised coarseware, part pot, possibly oxidised Fabric GX jar, displaced(?) (459g)

HF66: urned cremation burial (H2) (Fig 15)

Description: Pit HF66 was a round feature, 0.30m in diameter and 0.07m deep, containing a disturbed urned cremation burial.

Cremated human bone: Thirty-one fragments of cremated human/probably human bone were excavated from the urn weighing 26g.

Burial goods: A jar (HF66.1) had been used as a cremation urn. Buried inside the cremation urn were a miniature jar (.2) and a small/miniature flagon (.3).

Residual finds: One iron nail and two pieces of burnt flint (66g).

Date: Early/mid 2nd to the late 3rd/early 4th century.

HF66.1 H(129). Fig 15. Possibly Cam 268 jar, Fabric GX (488g). Base of jar with some sherds from upper body and two rim sherds. Early/mid 2nd to late 3rd/early 4th century.

HF66.2 H(129). Fig 15. Cam 278 miniature jar, Fabric GB (75g). Lattice decorated, broken, almost complete, found inside jar (Spit 2). Early/mid 2nd to the mid 3rd century.

HF66.3 H(129). Fig 15. Fabric DJ, small/miniature flagon (see CAR 10 Fabric DJ Type 100 – flagon with cupped plain rim) (83g). Cream slip over oxidised body, much of pot present but much in sherds and fragments, base near complete and pot presumed whole when buried, found inside jar (Spits 1 & 2). 2nd/3rd century.

HF67: urned cremation burial (H2)

Description: Pit HF67 was a round feature, 0.34m in diameter and 0.06m deep, containing a disturbed urned cremation burial.

Cremated human bone: Four hundred and sixty-two fragments of cremated human bone were excavated from the urn weighing 231g. The individual was an adult.

Burial goods: A jar (HF67.1) had been used as a cremation urn.

Residual finds: Several pottery sherds including Cam 108 beaker (mid 1st to the 2nd century).

Date: Roman

HF67.1 H(132). Base and lower part of pot wall (joining sherds) from a medium size greyware jar (Fabric GX). Roman.

HF68: inhumation burial (H2)

Description: Inhumation burial HF68 was located within a grave measuring 1.80m by 0.65m and 0.33m deep, and aligned east to west. It cut inhumation burial HF245.

Human bone: No human bone had survived.

Timber coffin: Six iron coffin nails in the western half of the grave retain a roughly rectangular shape and may represent part of a timber coffin.

Residual finds: Eleven pottery sherds.

Date: Roman.

HF69: inhumation burial (H2)

Description: Inhumation burial HF69 was located within a grave measuring 2.20m by 0.66m and 0.24m deep. It was aligned southeast to northwest with the head buried to the southeast. It cut inhumation burials HF58, HF70, HF341 and HF364.

Human bone: Fifty-three fragments of human bone were excavated weighing 216g. The individual was possibly an adult.

Residual finds: Thirty-six pottery sherds.

Date: Roman.

HF70: inhumation burial (H2)

Description: Inhumation burial HF70 had been almost completely cut away by inhumation burial HF69 but the full extent of the grave could be plotted. It measured 1.93m by 0.78m, and was aligned northwest to southeast. It cut inhumation burials HF58, HF341 and HF364.

Human bone: No human bone had survived.

Date: Roman.

HF72: unurned cremation burial (H2) (Fig 16)

Description: Pit HF72 was an oval feature, 0.56m by 0.40m and 0.10m deep, containing an unurned cremation burial.

Cremated human bone: One hundred and nine fragments of cremated human/probably human bone were excavated weighing 230g.

Burial goods: A miniature jar (HF72.1) and two iron hobnails (.2) had been placed in the pit.

Date: Mid 1st to the early 2nd century.

HF72.1 H(136). Fig 16. Miniature jar following form Cam 266 in pale grey fabric, deep foot to base, broken, much of pot whole with one large detached sherd and several smaller fragments, about 25% of pot missing, presumed complete or whole when buried (92g). Probably mid 1st to the early 2nd century.

HF72.2 H(137). Two iron hobnails, lengths 20 and 14mm, from nailed leather footwear

HF73: pit containing pyre debris (H2)

Description: Pot scatter HF73 had no definable edges. It was probably the remains of a pit containing pyre debris as both cremated human bone and charcoal was scattered among the pottery.

Cremated human bone: Eighty-five fragments of cremated human/probably human bone were excavated weighing 61g.

Burial goods/residual finds: Twenty pottery sherds.

Date: Mid 2nd to the early 3rd century

HF73.1 H(141). Pottery sherds. Fabric DJ, GB Cam 278, KX Cam 278, GX (131g). Mid 2nd to the early 3rd/3rd century.

HF74: pit containing pyre debris (H2)

Description: Pot scatter HF74 had no definable edges. It was probably the remains of a pit containing pyre debris as charcoal was scattered among the pottery.

Cremated human bone: No human bone was recorded.

Burial goods/residual finds: Fifty-three pottery sherds.

Date: Mid 2nd to the late 3rd/early 4th century

HF74.1 H(143). Pottery sherds. Fabrics DJ, GB Cam 278, GX Cam 268, MQ (469g). Mid 2nd to the late 3rd/early 4th century.

HF75: pit containing pyre debris (H2)

Description: Pot scatter HF75 had no definable edges. It was probably the remains of a pit containing pyre debris as both cremated human bone and charcoal was scattered among the pottery.

Cremated human bone: One hundred and eighty-nine fragments of cremated human/probably human bone were excavated weighing 125g.

Burials goods/residual finds: Seventeen pottery sherds.

Date: Early/mid 2nd to the early/mid 3rd century

HF75.1 H(145). Pottery sherds. Fabric DJ, GB, GX (141g). Early-mid 2nd to the early/mid 3rd century.

HF76: urned cremation burial (H2) (Fig 16)

Description: Pit HF76 was an oval feature, 0.60m long by 0.53m wide and 0.26m deep, containing an urned cremation burial.

Cremated human bone: A quantity of cremated human/probably human bone was excavated from the urn weighing 129g.

Burial goods: A bowl (HF76.1) had been used as a cremation urn.

Residual finds: Two pottery sherds and one iron nail.

Date: Mid 1st to the early 2nd century.

HF76.1 H(140). Fig 16. Cam 218 bowl, Fabric GX (1015g). Broken into sherds, presumed whole when buried. Mid 1st to the early 2nd century.

HF77: inhumation burial (H2)

Description: Inhumation burial HF77 was a very shallow feature that levelled out at one end meaning that the full extent of the grave could not be determined. The surviving grave measured 0.98m by 0.50m and 0.11m deep, and was aligned northwest to southeast. It cut inhumation burial HF78.

Human bone: No human bone had survived.

Date: Roman.

HF78: inhumation burial (H2)

Description: Inhumation burial HF78 was been cut through the mid/upper fill at one end by inhumation burial HF77. It was located within a grave measuring 1.02m by 0.51m and 0.11m deep, and aligned northwest to southeast. It cut inhumation burial HF143.

Human bone: No human bone had survived.

Date: Roman.

HF79: disturbed burial feature (H2)

Description: Pot scatter HF79 measured approximately 0.35m in diameter. It was probably originally part of a cremation burial or pit containing pyre debris.

Cremated human bone: Twenty-seven fragments of cremated human/probably human bone were excavated weighing 17g.

Burial goods/residual finds: Seven pottery sherds from the same bowl (HF79.1) (none joining).

Date: Mid 1st to the early/mid 2nd century.

HF79.1 H(173). Cam 243/244-246 bowl, Fabric GX, 7 sherds, same vessel (not joining) (193g). Mid 1st to the early/mid 2nd century.

HF80: disturbed burial feature (H2)

Description: Pot scatter HF80 had no discernable edges. It was probably originally part of a cremation burial or pit containing pyre debris.

Cremated human bone: No human bone had survived.

Burial goods/residual finds: Four pottery sherds from the base of a jar (HF80.1).

Date: Roman

HF80.1 H(153). Jar, Fabric GX (158g). Base of pot, joining sherds. Roman.

HF81: inhumation burial (H2) (Fig 17)

Description: Inhumation burial HF81 was located within a grave measuring 1.90m by 0.9m and 0.56m deep, and aligned northeast to southwest. It cut inhumation burials HF56, HF82, HF145, HF197 and HF207

Human bone: Thirteen fragments of bone were excavated weighing <33g, one was definitely from a sheep/goat and the remaining twelve were possibly human.

Timber coffin: Thirty-two iron nails scattered across the whole of the grave and within a depth of 0.42m of each other probably represent the remains of a timber coffin, possibly with a lid.

Burial goods: A broken jar (HF81.1) was identified at the side of the grave, and sherds from another jar may represent a second disturbed vessel (.2).

Residual finds: Thirty-one pottery sherds and one fragment of burnt flint (32g).

Date: Mid 2nd to the early 4th century.

HF81.1 H(284). Fig 17. Cam 268 jar, Fabric GX (1097g). Complete, broken, rim complete, base and lower body single large sherd, found broken at side of grave. Mid 2nd to the early 4th century.

HF81.2 H(151). Pottery sherds; Cam 268 jar, Fabric GX (different vessel to burial pot) (266g). Mid 2nd to the early 3rd century.

HF82: inhumation burial (H2)

Description: Inhumation burial HF82 had been cut through the middle by inhumation burial HF81. It was located within a grave measuring 2.00m by 0.80m and 0.56m deep, and aligned northwest to southeast. It cut inhumation burials HF43, HF149 and HF207.

Human bone: No human bone had survived.

Residual finds: One pottery sherd and four iron nails.

Date: Roman.

HF83: urned cremation burial (H2) (Fig 18)

Description: Pit HF83 was a round feature, 0.36m in diameter and 0.20m deep, containing a disturbed urned cremation burial.

Cremated human bone: Seven hundred and fifty-three fragments of cremated human bone were excavated weighing 502g. The individual was a juvenile, possibly a young male.

Burial goods: A jar (HF83.1) had been used as a cremation urn. All the other burial goods are burnt primary deposits from the pyre: an iron knife tang (.2); a burnt bone counter (.3); fourteen iron hobnails (.4); and six iron nails (.5).

Residual finds: One pottery sherd.

Date: Mid 2nd to the mid 3rd century.

HF83.1 H(170). Fig 18. Cam 278 jar, Fabric KX, joining sherds (138g). Mid 2nd to the mid 3rd century.

HF83.2 H(169), SF177. Fig 18. Burnt knife tang with integral semicircular suspension loop, as on Manning's Types 1 and 7, both of which date to the second half of the 1st or early 2nd century (1985, 108, 112, pl. 53). There are fragments of textile on one face, but no trace of a bone, antler or copper-alloy handle survives. Length 80mm, width 11mm.

HF83.3 H(169), SF167. Fig 18. Burnt and distorted Type 2 bone counter, with concentric grooves and a lathe-centre mark on the upper face (Crummy 1983, 91). Diameter 19mm, thickness 2mm.

HF83.4 H(169). Burnt iron hobnails and hobnail fragments from nailed leather footwear. **SF170)** Three, lengths 8, 14 and 15 mm. **SF173)** One, length 11mm. **SF174)** Three, lengths 9, 12 and 13mm. **SF175)** Two, lengths 5 and 13mm. **SF176a)** Three, lengths 14, 15 and 16mm. **SF178)** Two, lengths 14 and 16mm.

HF83.5 H(169). Burnt iron nails and nail shank fragments probably from wood used to build the pyre. **SF171)** Four, lengths 21 (clenched), 35 (with bone attached), 37 and 54 (with bone attached) mm. **SF172)** One, length 9mm. **SF176b)** One, length 21mm.

HF84: pit containing pyre debris (H2)

Description: Pit HF84 was an oval feature, 0.48m by 0.38m and 0.21m deep, containing pyre debris in the form of cremated human bone and charcoal scattered throughout.

Cremated human bone: Sixty-six fragments of cremated human bone were excavated weighing 32g.

Burial goods/residual finds: Nine pottery sherds.

Date: Early/mid 2nd to the early 3rd century

HF84.1 H(155). Pottery sherds. Fabric DJ Cam 156, GX (28g). Early/mid 2nd to the early 3rd century.

HF85: pit containing pyre debris (H2)

Description: Pit HF85 was an oval feature, 0.36m by 0.29m and 0.08m deep, containing pyre debris in the form of cremated human bone and charcoal scattered throughout.

Cremated human bone: Eight fragments of cremated human/probably human bone were excavated weighing 7g.

Burial goods/residual finds: One iron nail.

Date: Roman

HF85.1 H(158). Complete iron nail, length 52mm.

HF86: pit containing pyre debris (H2)

Description: Pit HF86 was an oval feature, 0.85m by 0.74m and 0.14m deep, containing pyre debris in the form of charcoal scattered throughout.

Cremated human bone: No human bone was recorded.

Burial goods/residual finds: One iron nail.

Burial marker: Posthole HF87 was located on the north edge of pit HF86 and may represent a burial marker.

Date: Roman

HF86.1 H(165). Complete iron nail, length 50mm.

HF88: pit containing pyre debris (H2)

Description: Pit HF88 had been partly cut through by a modern service trench. It was an oval feature, 0.47m by 0.40m, containing pyre debris in the form of cremated human bone and charcoal scattered throughout.

Cremated human bone: Seventeen fragments of cremated human/probably human bone were excavated weighing 17g.

Date: Roman

HF89: pit containing pyre debris (H2)

Description: Pit HF89 was an oval feature, 0.42m by 0.38m and 0.10m deep, containing pyre debris in the form of cremated human bone and charcoal scattered throughout.

Cremated human bone: Four fragments of cremated human/probably human bone were excavated weighing 2g.

Date: Roman

HF90: pit containing pyre debris (H2)

Description: Pit HF90 was a round feature, 0.52m in diameter and 0.25m deep, containing pyre debris in the form of cremated human bone and charcoal scattered throughout.

Cremated human bone: Twelve fragments of cremated human/probably human bone were excavated weighing 14g.

Burial goods/residual finds: Many of the 198 pottery sherds were heat affected and may have been burnt on the pyre as burial goods. Sixteen iron nails and one fragment of burnt flint (30g) were also recorded.

Intrusive finds: A medieval copper-alloy hooked tag (see Section 6.2, p61).

Date: Mid 1st to the 2nd/3rd century.

HF90.1 H(182). Pottery sherds. Flagon body sherds, Fabric DJ (136) (thin-medium), probably from more than one vessel, includes some base pieces, possibly heat affected. Flagon sherds, Fabric DJ (61) (medium-thick) including some base pieces, possibly heat affected. Tazza sherd, fabric DJ. Amphora sherds, Fabric AA, possibly heat affected (9). Jar, Fabric GX, small sherd from greyware base. Mid 1st to the 2nd/3rd century.

HF90.2 H(182). Sixteen iron nails and nail shank fragments. a) Six complete, lengths 72, 64, 54, 42, 39 and 36 (clenched) mm. b) Four incomplete (one clenched), lengths 62, 36, 35 (bent) and 34mm. c) One incomplete with the head of another adhering to it at an angle, length 20mm. d) Four shank fragments, lengths 41, 40, 36 and 21mm.

HF91: pit containing pyre debris (H2)

Description: Pit HF91 was an oval feature, 0.60m by 0.49m and 0.16m deep, containing pyre debris in the form of cremated human bone and charcoal scattered throughout.

Cremated human bone: Three hundred and forty-five fragments of cremated human/probably human bone were excavated weighing 220g.

Burial goods/residual finds: Thirty-one pottery sherds.

Date: Mid 1st to the 2nd century

HF91.1 H(70, 168). Pottery sherds. Fabric DJ, GX (61g). Mid 1st to the 2nd century.

HF92: pit containing pyre debris (H2)

Description: Pit HF92 was an oval feature, 0.79m by 0.66m and 0.13m deep, containing pyre debris in the form of cremated human bone and charcoal scattered throughout.

Cremated human bone: Forty fragments of cremated human/probably human bone were excavated weighing 27g.

Burial goods/residual finds: Eighty-four pottery sherds were recorded (HF92.1). Sixty-one sherds were from the same heat affected flagon with many of the other sherds also heat affected. These may have been burnt on the pyre as burial goods, as was a slightly scorched blue/green glass fragment, probably from an unguent bottle (.2). Ten iron nails (.4-.6) and one iron hobnail (.3) were also present.

Date: Mid 2nd to the early 4th century.

HF92.1 H(177). Pottery sherds. Cam 155, Fabric DJ, base and body sherds, neck ring flake sherd, probably all from the same flagon, some discoloured by heat/charcoal (289g). Flagon, Fabric DJ, base sherds, burnt (50g). Flagon, Fabric DJ, thick sherds, probably from a large flagon (10g). Fabric GX, sherds from at least four pots, one with scorched oxidised surface (44g). Fabric GX, rim sherd, possibly Cam 268 (26g). Fabric DJ, one sherd, sandy red fabric (3g). Cam 40B, Fabric GB, one sherd (40g). Dr 18/31, Fabric BA(CG), base sherd, burnt (17g). Mid 2nd to the early 4th century.

HF92.2 H(172). Slightly scorched thin pale blue/green glass tubular fragment, probably from an unguent bottle. Height 18mm, maximum surviving diameter 22mm.

HF92.3 H(164). D) Iron hobnail, length 16mm.

HF92.4 H(164). Eight iron nails or nail shank fragments. A) Complete, length 59mm. B) Length 31mm. C) Shank fragment, length 18mm. E) Length 36mm. F) Length 48mm. G) Complete, length 86mm. H) Two complete nails corroded together at an angle, heads close, lengths 63 and 52mm.

HF92.5 H(164), SF19. Iron nail, tip clenched. Length 38mm.

HF92.6 H(177). Iron nail shaft fragment, length 36mm.

HF93: pit containing pyre debris (H2)

Description: Pit HF93 had been cut through by a modern service trench. It was probably a round feature, 0.40m in diameter and 0.23m deep, containing pyre debris in the form of charcoal scattered throughout.

Cremated human bone: No human bone was recorded.

Burial goods/residual finds: One pottery sherd and one fragment of Roman brick/tile (21g).

Date: Mid 1st to the 2nd/3rd century

HF93.1 H(185). Pottery sherd. Fabric DJ (2g). Mid 1st to the 2nd/3rd century.

HF94: possible burial feature (H1)

Description: Possible burial feature HF94 was discovered during groundworks for a modern service trench. The full extent of the feature was not revealed but the excavated section measured 1.41m by 0.60m and 0.77m deep.

Residual finds: One pottery sherd.

Date: Roman.

HF94.1 H(171). Pottery sherd. Fabric GX (8g). Roman.

HF95: pit containing pyre debris (H2)

Description: Pit HF95 was cut by pit HF90. It was a round feature 0.52m in diameter and 0.19m deep, containing pyre debris in the form of cremated human bone and charcoal scattered throughout.

Cremated human bone: Three fragments of cremated human/probably human bone were excavated weighing 4g.

Burial goods/residual finds: One pottery sherd.

Date: Mid 1st to the 2nd century

HF95.1 H(196). Pottery sherd. Fabric DJ (5g). Mid 1st to the 2nd century.

HF96: inhumation burial (H2) (Photograph 18, Fig 19)

Description: Inhumation burial HF96 was located within a grave measuring 2.09m by 0.80m and 0.59m deep, and aligned west to east with the head buried to the west.

Human bone: Fifty fragments of human bone were excavated weighing 722g. The individual was a young female aged 20-25 years old. She was short, slightly built and probably of mixed race. She also suffered from anaemia.

Timber coffin: Nine iron coffin nails at the base of the grave retain a rectangular layout that show that the body had been buried within a coffin measuring approximately 1.65m by 0.50m. The remaining twenty-one iron coffin nails were scattered through the fill approximately 0.30-0.40m higher and may represent a coffin lid.

Burial goods: A whole small/miniature jar (HF96.1) was identified outside of the coffin and a cluster of iron hobnails (.2) at the east end of the coffin show that the body had been buried with/wearing nailed leather footwear. Burnt bone from a goose and a sheep/goat may represent parts of the burial feast (60g).

Residual burial evidence: Five burnt objects and a fragment of burnt flint (6g) may have come from an earlier cremation burial or pit containing pyre debris (see Section 6.2, p70).

Other residual finds: Two iron nails and five fragments of Roman brick/tile (185g).

Date: Mid 2nd to the early 4th century.

HF96.1 H(227). Fig 19. Small/miniature jar, Fabric GX, (84g). Whole pot, pale silty grey fabric, bi-conical, thick walled vessel with small pedestal-like base, rim very chipped, large flake of body surface missing on lower body on one side (probably resulting from the firing) with some surface cracks extending from it, miniature vessel (jar), similar to CAR 10 fig 6.26 751. Mid 1st to the 3rd century.

HF96.2 H(249), SF32. From left foot. Eight iron hobnails or hobnail fragments, longest 12mm.

HF99: inhumation burial (H2) (Fig 20)

Description: Only part of inhumation burial HF99 was located inside of the excavation area. The excavated grave measured 1.72m by 0.32m and 0.65m deep, and was aligned northeast to southwest

Human bone: Twelve fragments of human bone were excavated weighing 368g. The individual was an adult who showed signs of arthritis.

Burial goods: Part of a broken beaker (HF99.1).

Residual finds: Two fragments of Roman brick/tile (209g) and an iron nail.

Intrusive finds: Two fragments of peg-tile (67g).

Date: Mid 3rd to the 4th century.

HF99.1 H(243). Fig 20. Cam 407 beaker, Fabric CZ (259g), part vessel found as sherds at one end of grave. Mid 3rd to the 4th century.

HF100: pit containing pyre debris (H2)

Description: Pit HF100 was an oval feature, 0.60m by 0.53m and 0.13m deep, containing pyre debris in the form of cremated human bone and charcoal scattered throughout.

Cremated human bone: Ninety-five fragments of cremated human bone were excavated weighing 47g. A further 12 fragments of cremated human/probably human bone (21g) found on the surface between HF99 and HF100 probably came from this feature.

Burial goods/residual finds: Twenty-six pottery sherds, all burnt, may represent burial goods burnt on the pyre.

Date: Late 2nd to the mid/late 3rd century

HF100.1 H(190). Pottery sherds (all burnt). Fabrics BA(CG) W 79, BA(EG), DJ Cam 155, Cam 156, GB Cam 37B, GP Cam 122-123, GX Cam 392 (108g). Late 2nd to the mid/late 3rd century.

HF101: pit containing pyre debris (H2)

Description: Only part of pit HF101 was located inside the excavation area and it was cut by inhumation burial HF133. It measured 1.23m by 0.42m, and contained pyre debris in the form of cremated human bone and charcoal scattered throughout.

Cremated human bone: Two fragments of cremated human/probably human bone were excavated weighing 6g.

Burial goods/residual finds: Seven pottery sherds.

Date: Roman

HF101.1 H(199, 266). Pottery sherds. Fabric GX (29g). Roman.

HF102: pit containing pyre debris (H2)

Description: Pit HF102 had been cut in half by a modern service trench. It was a round feature, 0.38m in diameter and 0.19m deep, containing pyre debris in the form of cremated human bone and charcoal scattered throughout.

Cremated human bone: Two hundred and eighty-six fragments of cremated human bone were excavated weighing 105g.

Burial goods/residual finds: Five pottery sherds and one iron nail.

Date: Early 2nd to the early 3rd century

HF102.1 H(193). Pottery sherds. Fabrics DJ Cam 156, GX (14g). Early 2nd to the early 3rd century.

HF102.2 H(193). Iron hobnail, length 19mm.

HF105: inhumation burial (H2)

Description: Inhumation burial HF105 was located within a grave measuring 1.69m by 0.65m and 0.18m deep, and aligned northwest to southeast. It cut inhumation burials HF132 and HF133, and pits containing pyre debris HF127 and HF131. It was cut by pit containing pyre debris HF130.

Human bone: No human bone had survived.

Timber coffin: Ten coffin nails show that the body was buried within a coffin measuring approximately 1.22m by 0.36m.

Residual burial evidence: Twenty-five fragments of cremated human/probably human bone (81g) and one burnt iron nail probably came from an earlier cremation burial or pit containing pyre debris.

Residual finds: Thirty-five pottery sherds and one fragment of brick/tile (31g).

Date: Mid 2nd to late 3rd/early 4th (residual pottery sherds)

HF106: pit containing pyre debris (H2)

Description: Pit HF106 was an oval feature, 0.56m by 0.48m and 0.14m deep, containing pyre debris in the form of charcoal scattered throughout.

Cremated human bone: No human bone was recorded.

Date: Roman

HF109: pit containing pyre debris (H2)

Description: Pit HF109 had been cut on one edge by pit containing pyre debris HF115. It was an oval feature, 0.87m by 0.67m and 0.11m deep, containing pyre debris in the form of human bone (highly fragmented but largely unburnt) and charcoal scattered throughout. It cut pit containing pyre debris HF111.

Human bone: Fifty fragments of human bone were excavated weighing 135g. The individual was possibly an adult.

Burial goods/residual finds: Ten pottery sherds, one fragment of Roman brick/tile (111g) and one fragment of burnt animal (mammal) bone (1g).

Date: Mid 3rd to the 4th century

HF109.1 H(204). Pottery sherds. Fabrics GX, MQ, GB Cam 40B, EA beaker (62g). Mid 3rd to the 4th century.

HF110: pit containing pyre debris (H2)

Description: Pit HF110 was an oval feature, 0.75m by 0.62m and 0.08m deep, containing pyre debris in the form of charcoal scattered throughout. It cut pits containing pyre debris HF110, HF112 and HF113.

Cremated human bone: No human bone was recorded.

Burial goods/residual finds: Four pottery sherds, one iron nail, two fragments of Roman brick/tile (191g), one Roman tessera cube (18g) and two fragments of mammal bone (3g).

Date: Roman

HF110.1 H(207). Pottery sherds. Fabric GX, DJ (frilled rim) (58g). Roman.

HF110.2 H(207). Complete iron nail, length 52mm.

HF111: pit containing pyre debris (H2)

Description: Pit HF111 had been cut by pits containing pyre debris HF109 and HF110. It was an oval feature measuring at least 0.86m by 0.75m and 0.11m deep. It contained pyre debris in the form of cremated human bone and charcoal scattered throughout.

Cremated human bone: Nineteen fragments of human bone were excavated (6g) along with 19 fragments of cremated human/probably human bone (69g).

Burial goods/residual finds: Five pottery sherds and two iron hobnails.

Date: Roman

HF111.1 H(214). Pottery sherds. Fabric GX (17g). Roman.

HF111.2 H(214). Two iron hobnails, lengths 18 and 17mm.

HF112: pit containing pyre debris (H2)

Description: Pit HF112 had been cut by a modern service trench and pit containing pyre debris HF110. The surviving feature measured 0.71m by 0.45m and 0.27m deep, and contained pyre debris in the form of cremated human bone and charcoal scattered throughout. It cut pit containing pyre debris HF113.

Cremated human bone: Fifteen fragments of burnt bone were excavated weighing 21g that included cremated human bone and fragments of cattle teeth.

Environmental remains: Fragments of an open textured organic material were recorded. The remains may be from charred foodstuffs (possibly bread) which were included as offerings to the deceased.

Burial goods/residual finds: Thirty-six pottery sherds, twenty-one iron nails and one fragment of brick/tile (14g) were scattered throughout the fill. Two scorched fragments of glass vessel, almost certainly from the same vessel, had probably been burnt on the pyre.

Date: Late 2nd to the 3rd century

HF112.1 H(222). Pottery sherds. Fabric DJ, HZ, GX (one burnt), GB Cam 37B, CZ Cam 391 (93g). Late 2nd to the 3rd century.

HF112.2 H(225). Two scorched blue/green glass vessel fragments, almost certainly from the same vessel. a) Curved along one edge, probably a wall/base junction sherd, 30 by 25mm. b) Distorted, 20 by 10mm.

HF112.3 H(223), SF24. Five iron nails, Lengths 57, 55, 36, 34 and 32 (clenched) mm.

HF112.4 H(223). Sixteen iron nails and shank fragments. Complete, lengths 51, 46, 40, 38, 37 and 36mm; incomplete, lengths 42, 25, 24 (x 2) and 23mm; shank fragments, lengths 38, 33, 28, 22 and 20mm.

HF113: pit containing pyre debris (H2)

Description: Pit HF113 had been cut by a modern service trench and by pits containing pyre debris HF110 and HF112. The surviving feature measured 0.63m by 0.61m and 0.13m deep and contained pyre debris in the form of charcoal scattered throughout.

Cremated human bone: No human bone was recorded.

Burial goods/residual finds: Twelve pottery sherds, two iron hobnails and one fragment of burnt mammal bone (1g).

Date: Roman

HF113.1 H(237). Pottery sherds. Fabrics BA(EG) (?burnt), DJ, FJ(?), GX (29g). Roman.

HF113.2 H(238). Two iron hobnails, lengths 20 and 16mm.

HF114: inhumation burial (H2) (Fig 20)

Description: Inhumation burial HF114 was located within a grave measuring 1.42m by 0.50m and 0.12m deep, and aligned northwest to southeast with the head buried to the northwest.

Human bone: One hundred and ninety-three fragments of human bone were excavated weighing 490g. The individual was a robust juvenile aged approximately 9-10 years old.

Residual finds: One iron nail.

Date: Roman

HF115: pit containing pyre debris (H2)

Description: Pit HF115 had been cut by a modern service trench. The surviving feature measured 0.62m by 0.53m and 0.16m deep, and contained pyre debris in the form of a single fragment of cremated human bone and charcoal scattered throughout. It cut pit containing pyre debris HF109.

Cremated human bone: One fragment of cremated human/probably human bone was excavated weighing 1g.

Burial goods/residual finds: One pottery sherd.

Date: Roman

HF115.1 H(246). Pottery sherds. Fabric GX (6g). Roman.

HF120: pit containing pyre debris (H2)

Description: Pit HF120 was a round feature, 0.47m in diameter and 0.12m deep, containing pyre debris in the form of charcoal scattered throughout.

Cremated human bone: No human bone was recorded.

Burial goods/residual finds: Three pottery sherds.

Date: Mid 1st to the 2nd/3rd century

HF120.1 H(234). Pottery sherds. Fabrics DJ, GX (burnt) (9g). Mid 1st to the 2nd/3rd century.

HF121: pit containing pyre debris (H2)

Description: Only part of pit HF121 was located inside of the excavation area. It had also been cut by a modern service trench and by pit HF124. The excavated feature measured 0.58m by 0.33m and 0.09m deep, and contained pyre debris in the form of cremated human bone and charcoal scattered throughout.

Cremated human bone: Fifty-two fragments of cremated human bone were excavated weighing 17g.

Burial goods/residual finds: Two pottery sherds, one fragment of flue tile (20g) and one iron hobnail.

Date: Roman

HF121.1 H(256). Pottery sherds. Fabric GX (9g). Roman.

HF121.2 H(255), SF35. Iron hobnail. Length 13mm.

HF123: inhumation burial (H2)

Description: Inhumation burial HF123 was located within a grave measuring 1.53m long, 0.82m wide and 0.39m deep, and was aligned northwest to southeast. It cut possible burial feature HF135.

Human bone: No human bone had survived.

Residual burial evidence: Ten fragments of cremated human/probably human bone (10g) and two burnt iron nails may be from an earlier cremation burial or pit containing pyre debris.

Other residual finds: Eighty-nine pottery sherds and two iron nails.

Date: Mid 3rd to 4th century (date based on residual pottery sherds)

HF125: inhumation burial (H2) (Photograph 17, Fig 21)

Description: Inhumation burial HF125 had been cut by inhumation burial HF126. It was located within a grave measuring 2.20m by 0.76m and 0.44m deep, and aligned southeast to northwest with the head to the southeast.

Human bone: One hundred and forty-five fragments of human bone were excavated weighing 2754g. The individual was an adult male aged about 25 years old. He had a height range of 168 to 176.5cm (5 feet 6 inches to 5 feet 9.5 inches), possibly more, and would have had a slight limp from uneven leg lengths and foot problems. The skeleton also showed that he would have suffered from back discomfort. He had been buried supine on his back with his hands crossed over his chest.

Timber coffin: Sixteen iron coffin nails may represent the remains of a timber coffin.

Residual burial evidence: Pottery sherds from a flagon and jar were probably disturbed from earlier burial features.

Other residual finds: Sixty-one pottery sherds.

Date: 2nd to the ?3rd century (date based on residual pottery sherds)

Residual burial evidence

H(428). Fig 21. Pottery sherds. Fabric DJ, flagon, broken, complete(?), plain cup mouth with cordon at base of cup, displaced from earlier burial or broken grave pot (280g). 2nd to the ?3rd century.

H(492). Fig 21. Pottery sherds. Cam 178 jar, Fabric DJ, part profile, five sherds, three joining (166g). Claudio-Neronian.

HF126: inhumation burial (H2) (Fig 21)

Description: Inhumation burial HF126 was located within a grave measuring 2.40m by 0.90m and 0.48m deep, and aligned north to south with the head to the north. It cut inhumation burial HF125.

Human bone: One hundred and twenty-five fragments of human bone were excavated weighing 2727g. The individual was an adult male aged about 25-35 years old with a height range of 168 to 176cm (5 feet 6 inches to 5 feet 9 inches). He also showed evidence of degenerative wear in his vertebrae. He was buried supine on his back with his hands crossed over his abdomen.

Timber coffin: Thirteen iron coffin nails were recorded at the lowest level of the grave and eighteen iron coffin nails were recorded 0.23-0.37m higher, showing that the body had been buried in a timber coffin that probably had a lid.

Burial goods: Two clusters of iron hobnails (HF126.1) also show that the individual had been buried wearing a pair of heavily nailed leather footwear. A base silver coin (.2) had also been placed by the body's left knee.

Residual burial evidence 1: Sixteen fragments (147g) of disarticulated bone from the left leg of an adult were found in the southeast corner of the grave. This was probably residual from an earlier inhumation burial that had been cut by HF126.

Residual burial evidence 2: One hundred and forty-one fragments of cremated human/probably human bone (2874g) were scattered through the fill at the southern end of the grave. Four burnt iron hobnails, a burnt iron nail and a fragment of burnt flint (10g) were probably associated with this earlier cremation burial or pit containing pyre debris.

Other residual finds: Five hundred and forty-three pottery sherds (including a complete potter's stamp), a copper-alloy coin and six fragments of Roman brick/tile and imbrex (314g). Any of these could be associated with the two earlier burial features.

Date: Mid 2nd century +.

HF126.1 H(462A), SF61. From left foot, ninety iron hobnails and hobnail fragments, longest 17mm. **H(462B). SF 62.** From right foot, eighty iron hobnails and hobnail fragments, longest 17mm. The deceased was buried wearing heavily nailed leather shoes or boots, the hobnails so numerous that they would have covered the soles.

HF126.2 H(429), SF55. Worn, ?scorched, base silver ?*denarius*, probably of Faustina II, AD 147-75. Obverse: legend worn away, draped bust right (hairstyle with low bun). Reverse: legend worn away, bird (?dove) standing left, S C below. Diameter 15mm, weight 2.13g. Found lying by the left knee it has an unusual surface patina and may have been scorched, but its position relative to the corpse indicates that it was deliberately placed there as a grave deposit.

HF127: pit containing pyre debris (H2)

Description: Pit HF127 had been cut by inhumation burial HF105. It was a round feature, 0.70m in diameter and 0.27m deep, containing pyre debris in the form of charcoal scattered throughout.

Cremated human bone: No human bone was recorded.

Burial goods/residual finds: Three pottery sherds.

Date: Mid/late 3rd to the 4th century.

HF127.1 H(247). Pottery sherds. Fabrics GX, EA folded beaker (10g). Mid/late 3rd to the 4th century.

HF128: inhumation burial (H2)

Description: Only part of inhumation burial HF128 was located inside the excavation area. The excavated grave measured 1.26m by 0.58m and 0.31m deep, and was aligned east to west.

Human bone: Five fragments of human bone were excavated weighing 17g.

Residual finds: Six pottery sherds

Date: Mid 2nd to the late 3rd/early4th century (date based on residual pottery sherds)

HF129: disturbed burial feature (H2)

Description: Pot scatter HF129 had no definable edges. It was probably originally part of a cremation burial or pit containing pyre debris.

Cremated human bone: Twenty-three fragments of cremated human/probably human bone were excavated weighing 49g.

Burial goods/residual finds: Thirty-five pottery sherds.

Date: Mid 1st to the 2nd/3rd century

HF129.1 H(271, 308). Pottery sherds. Fabric GX, DJ, AJ (532g). Mid 1st to the 2nd/3rd century.

HF130: pit containing pyre debris (H2)

Description: Pit HF130 was a round feature 0.28m in diameter and 0.18m deep, containing charcoal from pyre debris.

Cremated human bone: No human bone was recorded.

Burial goods/residual finds: Two pottery sherds.

Date: Mid 1st to the 2nd/3rd century

HF130.1 H(264). Pottery sherds. Fabric DJ (12g). Mid 1st to the 2nd/3rd century.

HF131: pit containing pyre debris (H2)

Description: Pit HF131 had been cut by a modern service trench and inhumation burial HF105. Only a small part of the feature survived measuring 0.48m by 0.34m and 0.25m deep. It contained pyre debris in the form of cremated human bone and charcoal scattered throughout.

Cremated human bone: Twelve fragments of cremated human/probably human bone were excavated weighing 23g.

Date: Roman.

HF132: possible inhumation burial (H2)

Description: Possible inhumation burial HF132 had been cut by inhumation burials HF105 and HF133. The edges of the feature were not easy to define but the grave measured approximately 0.89m by 0.56m and 0.32m deep, and was aligned north to south.

Human bone: No human bone had survived.

Date: Roman.

HF133: inhumation burial (H2)

Description: Inhumation burial HF133 had been cut along one edge by inhumation burial HF105. It was located within a grave measuring 1.04m by 0.68m and 0.24m deep, and aligned northeast to southwest. It cut pit containing pyre debris HF101.

Human bone: Ten fragments of human bone were excavated weighing 151g.

Residual finds: Fourteen pottery sherds, and one fragment each of Roman tile (40g), Roman tessera cube (12g), septaria (99g) and cremated human/probably human bone (1g).

Date: Mid 2nd to the mid 3rd century (residual pottery sherds)

HF135: possible burial feature (H2)

Description: Only part of burial feature HF135 was located inside of the excavation area and it had also been cut by inhumation burial HF123. The surviving feature measured 1.07m by 0.35m and 0.34m deep.

Date: Roman.

HF136: urned cremation burial (H2) (Fig 22)

Description: Pit HF136 was an oval feature, 0.41m by 0.32m and 0.18m deep, containing an urned cremation burial. It cut inhumation burial HF194.

Cremated human bone: Eight hundred and twenty-two fragments of cremated human/probably human bone were excavated from the urn weighing 937g.

Burial goods: A jar (HF136.1) had been used as a cremation urn. A flagon (.2) had been buried alongside the urn.

Residual finds: A single pottery sherd.

Date: Mid 2nd to the early 4th century.

HF136.1 H(281). Fig 22. Cam 268 jar, Fabric GX (920g). Near complete, one side of body broken as two joining large sherds, approximately 50% of rim missing. Mid 2nd to the early 4th century.

HF136.2 H(282). Flagon, Fabric DJ, very broken-up (190 sherds, 202g), base and body wall with handle scar, probably whole when buried. Mid 1st to the 2nd century.

HF137: urned cremation burial (H2)

Description: Pit HF137 was a round feature, 0.39m in diameter and 0.19m deep, containing a very disturbed urned cremation burial.

Cremated human bone: Nineteen fragments of cremated human/probably human bone were excavated weighing 15g.

Burial goods: A jar (HF137.1) had been used as a cremation urn.

Residual finds: A single pottery sherd.

Date: Early/mid 2nd to the late 3rd/early 4th century.

HF137.1 H(287) Cam 268 jar, Fabric GX (280g). Sherds from upper part of pot, base missing, many joining sherds. Mid 2nd to the early 4th century.

HF138: inhumation burial (H2)

Description: Inhumation burial HF138 had been cut through the middle by a modern service trench. It was located within a grave measuring 1.80m by 0.41m and 0.24m deep, and aligned northeast to southwest.

Human bone: Twelve fragments of human bone were excavated weighing 17g.

Residual finds: One pottery sherd.

Date: Roman.

HF139: unurned cremation burial (H2) (Photograph 22)

Description: Pit HF139 was an oval feature, 1.12m by 0.80m and 0.20m deep, containing an unurned cremation burial with a thick layer of charcoal, cremated human bone and burnt burial goods.

Cremated human bone: Five hundred and seventy-seven fragments of cremated human bone were excavated weighing 314g. The individual was young but the age and sex could not be determined.

Burial goods: A large quantity of amphora (HF139.1) and flagon (.2) sherds were found in the fill. Fragments of glass (.3), a ceramic lamp (.4), iron and copper alloy objects (.5-.11) and a bone disc (.12) are all burnt primary deposits.

Residual finds: A single other pottery sherd and one iron nail.

Date: Mid 1st to 2nd century.

HF139.1 H(379). Amphora sherds. Fabric AJ, D20, 30 sherds and sherd flakes, some appear possibly scorched/burnt (561g). Fabric AJ(1), 184 sherds, body sherds and base knob only (no handles or rim), some sherds probably burnt or scorched (7000g). Mid 1st to 2nd century.

HF139.2 H(379). Flagon sherds. Fabric DJ, Cam 143/144, 68 sherds, large flagon, beaded rim with small cordon below, probably all sherds SV, 3 rib handle, small rim frag, part of neck, body sherds (291g). Cam 140, Fabric DJ, one sherd, rim from a collared flagon (5g). Fabric DJ, Cam 143/144, two sherds, rim from a collared flagon with cordon below rim (15g). Fabric DJ, fifty-two sherds including two handles from one or more flagons, no base sherds (252g). Mid to late 1st century.

Comment on the burial goods

All the items from HF139 are burnt primary deposits. Part of a picture lamp (discus missing) is of pre-Boudican date, and an amorphous puddle of glass may come from a tubular unguent bottle of the same date. Other objects from the feature consist of what may be part of a lock, several amorphous copper-alloy fragments and small pellets, part of a burnt disc that may be from a composite bone and wooden hinge, and one nail. The lock and bone disc fragments probably derive from a wooden box burnt on the pyre. Some of the copper-alloy fragments may come from a loop-in-loop chain.

HF139.3 H(379). Puddle of melted blue-green glass with burnt human bone and grit adhering. One end is straight but angled and the other bulbous; probably from a tubular unguent bottle. 66 by 40 by 10mm; weight 23.5g.

HF139.4 H(371), SF39. Shattered fragments from the lower half of a ceramic lamp of Loeschcke Type 1 with angular voluted nozzle (1919, pl. 1). Fabric orange-red, of pre-Boudican local manufacture (Eckardt 2002, 75-86). Total weight (unwashed to protect any residues) 14.5g.

HF139.5 H(372), SF46a. Strip of thin iron sheet with some melted copper-alloy on one surface; probably part of a box lock plate or internal lock mechanism. Length 36mm, maximum width 13mm.

HF139.6 H(373), SF41. Distorted copper-alloy fragments, possibly fused loop-in-loop chain fragments. a) 24 by 17 by 11mm; b) Length 21mm, 4.5mm square section. c) Pellet, 5mm in diameter.

HF139.7 H(374), SF 40. Amorphous copper-alloy pellet. 7 by 8 by 3mm; weight 0.59g.

HF139.8 H(375), SF43. Amorphous copper-alloy fragment. 21 by 12 by 7mm.

HF139.9 H(376), SF42. Amorphous copper-alloy pellet. Diameter 5-9mm.

HF139.10 H(377), SF44. Amorphous copper-alloy fragment. 11 by 5 by 5mm.

HF139.11 H(378), SF45. Two amorphous copper-alloy fragments. 18 by 11 by 7mm; 8 by 5 by 4mm.

HF139.12 H(-), SF181. Small fragment from the rim of a burnt bone plano-convex disc with pairs of concentric circles incised on the upper face. Too small to be from a *pyxis* lid, this is probably the stop from the terminal of a composite bone and wooden hinge (Mikler 1997, Taf. 55, 29-30). Diameter approx. 18mm, thickness 2.25mm.

HF140: pit containing pyre debris (H2)

Description: Pit HF140 had been cut at one end by a modern service trench. The surviving feature measured 0.68m by 0.66m and 0.21m deep and contained pyre debris in the form of cremated human bone and charcoal scattered throughout.

Cremated human bone: Eighty-three fragments of cremated human bone were excavated weighing 32g.

Intrusive finds: One fragment of post-medieval/modern brick (4g).

Date: Roman

HF141: urned cremation burial (H2) (Fig 22)

Description: Pit HF141 was a round feature, 0.60m in diameter and 0.30m deep, containing an urned cremation burial. It cut enclosure ditch HF155/HF205.

Cremated human bone: Seven hundred and sixty-four fragments of cremated human/ probably human bone were excavated from the urn weighing 614g.

Burial goods: A jar (HF141.1) had been used as a cremation urn and an iron nail (.2) was found inside the urn.

Residual finds: Ten pottery sherds and an iron hobnail.

Date: Early/mid 2nd century to the late 3rd/early 4th century.

H(312) Fig 22. Cam 268 jar, Fabric GX (1249g). Whole pot, part of rim and shoulder broken away on one side, rim complete, double groove below rim. Early/mid 2nd century to the late 3rd/early 4th century.

HF141.2 H(312), SF190. Fused amorphous lump of burnt iron and cremated human bone; includes a hobnail, length 11mm. Weight 4.2g. Represents a primary deposit of nailed footwear almost certainly worn by the deceased.

HF143: inhumation burial (H2) (Fig 23)

Description: Inhumation burial HF143 had been cut in half by inhumation burial HF151 and had also been cut by inhumation burials HF77 and HF78. The surviving grave measured 1.80m by 0.85m and 0.64m deep, and was aligned southwest to northeast with the head to the southwest. It cut inhumation burials HF191 and HF192.

Human bone: Forty-five fragments of human bone were excavated weighing 21g.
Timber coffin: Thirteen iron coffin nails had survived at the northeast end of the grave. They show that the body had been buried in a coffin measuring approximately 0.40m wide.
Burial goods: Two clusters of iron hobnails (HF143.1) show that the body had been buried wearing nailed leather footwear. A copper-alloy coiled snake finger-ring (.2) had probably been worn on the left hand and a copper alloy coin (.3) was found in the bottom right-hand corner of the coffin, possibly where it had fallen out of the right hand.
Residual finds: Five pottery sherds, one fragment of Roman brick/tile (15g) and one fragment of septaria (91g).
Date: Early 2nd+.

HF143.1 H(412), SF59. Twenty-two iron hobnails or hobnail fragments, longest 18mm. **H(413), SF47.** Twenty-two iron hobnails or hobnail fragments, longest 16mm. Representing nailed leather footwear was worn by the deceased.

HF143.2 H(416), SF48. Fig 23. Copper-alloy coiled snake finger-ring, in fragments and in poor condition. The hoop is plain; the snake heads consist of a central boss surrounded by a flat notched area. Diameter 22mm. Found close to the left femur was probably worn on the left hand.

HF143.3 H(422), SF49. Very worn copper-alloy as of Trajan(?), AD 98-117. Obverse: worn laureate head right, legend worn smooth. Reverse, worn smooth. Diameter 26mm; weight 10.8g. It lay in the bottom right hand corner of the coffin and appears to be a deliberate deposit, although the position is unusual; it may have originally been held in the right hand and worked loose when the coffin was moved.

HF144: inhumation burial (H2) (Fig 23)

Description: Inhumation burial HF144 had been cut at one end by a modern service trench but the full extent of the feature had survived. It was located within a grave measuring 1.60m by 0.67m and 0.47m deep, and aligned northeast to southwest.

Human bone: No human bone had survived.

Timber coffin: Twenty-nine iron coffin nails show that the body had been buried in a timber coffin measuring approximately 1.1m by 0.38m.

Burial goods: A beaker (HF144.1), folded beaker (.2) and flagon (.3) had been placed at the northeast end of the coffin.

Date: Late 2nd to the mid 3rd century.

HF144.1 H(321). Fig 23. Cam 391 beaker, Fabric CZ, whole pot (58g). Small vessel, brown colour coat abraded around rim. Early/mid 2nd to the early 3rd century.

HF144.2 H(322). Fig 23. Cam 406 folded beaker, Fabric CZ, whole pot (69g). Small vessel, very small perforation just below shoulder, brown colour coat abraded, several angled scored lines in surface on one side appear to be covered by the colour-coat and suggest manufacturing defects. Late 2nd to the mid 3rd century.

HF144.3 H(320). Fig 23. Cam 156 cupped ring-neck flagon in buff fabric, Fabric DJ, whole pot (276 g). Fairly small example of this form. Hadrianic-early 3rd century

HF145: inhumation burial (H2)

Description: Inhumation burial HF145 had been cut by inhumation burial HF81 and probably inhumation burial HF82. Despite this the lowest level of the grave had survived in its entirety. It measured 1.05m by 0.51m and 0.17m deep, and was aligned northeast to southwest.

Human bone: No human bone had survived.

Burial goods: A flagon (.1) had been placed at the far northeast end of the grave.

Residual finds: Fifteen pottery sherds and four iron nails.

Date: Mid 1st to the 2nd century (residual pottery sherds)

HF145.1 H (320). Lost and never seen by the specialist.

HF146: possible burial feature (H2)

Description: Only part of burial feature HF146 was located inside of the excavation area. The excavated feature measured 0.96m by 0.35m.

Finds: Six pottery sherds, including a stamp on a Dressel 20 handle **C.SEMPPOLC**].

Date: Mid 1st to the 2nd/3rd century

HF147: possible burial feature (H2)

Description: Only part of burial feature HF147 was located inside of the excavation area. It had also been cut by inhumation burials HF18 and possible burial feature HF146. The excavated feature measured 0.80m by 0.50.

Date: Roman.

HF148: unurned cremation burial (H2)

Description: Pit HF148 was a round feature, 0.38m in diameter and 0.17m deep, containing an unurned cremation burial with a thick layer of charcoal and cremated human bone.

Cremated human bone: Seven hundred and ninety-six fragments of cremated human bone were excavated weighing 558g. The individual was an adult and possibly male.

Burial goods/residual goods: Fifteen pottery sherds.

Date: Mid 1st to the 2nd century

HF148.1 H(318). Pottery sherds. Fabric GX, DJ (including tazza rim) (40g). Mid 1st to the 2nd century.

HF149: inhumation burial (H2)

Description: Inhumation burial HF149 had been largely cut away by inhumation burials HF51 and HF82, and post-medieval pit HF27. It appears to have measured 1.49m by 0.72m and 0.42m deep, and was aligned northwest to southeast.

Human bone: No human bone had survived.

Residual finds: Four iron nails

Date: Roman.

HF150: urned cremation burial (H2)

Description: Pit HF150 was a round feature, 0.35m in diameter and 0.20m deep, containing an urned cremation burial. It cuts inhumation burial HF151.

Cremated human bone: Thirty-nine fragments of cremated human/probably human bone were excavated weighing 31g.

Burial goods: A jar (HF150.1) had been used as a cremation urn.

Residual: Two fragments of burnt flint (5g) and an iron nail.

Date: Early/mid 2nd to the late 3rd/early 4th century.

HF150.1 H(331). Cam 268 jar, Fabric GX, (952g). Whole pot (fitting, detached rim sherd from Spit 3 inside vessel), part of rim and shoulder missing and about 75% of rim present, base foot underside had detached from pot and is missing. Early/mid 2nd to the late 3rd/early 4th century.

HF150.2 H(327). Iron nail shank fragment, length 24mm.

HF151: inhumation burial (H2) (Fig 24)

Description: A small part of inhumation burial HF151 was located outside the excavation area. The grave measured 2.08m by 0.74m and 0.80m deep, and was aligned southwest to northeast with the head to the southwest. It cut inhumation burials HF143, HF191 and HF193, and urned cremation HF150.

Human bone: Fifty-nine fragments of human bone were excavated weighing 134g. The individual was an adult.

Timber coffin: Fifty-six iron coffin nails show that the body had been buried in a timber coffin measuring at least 1.88m long by 0.50m wide.

Burial goods: A flagon (HF151.1) had been placed to the side of the left leg.

Residual finds: Nineteen pottery sherds, including sherds from two jars, that may have been from an earlier disturbed burial feature.

Date: Early-mid 2nd century.

HF151.1 H(330). Fig 24. Flagon, Fabric DJ (594g). Whole pot (some pressure cracks) unique form marrying a barrel like body resembling a costrel (groups of grooves around top and lower body) with a handled cup mouth flagon with single groove. A similar pot from the Holt works depot suggests a likely early-mid 2nd century date for the burial. Abraded surfaces with sand adhering, fabric faintly greenish cream.

H(404) & H(415). Fig 24. Pottery sherds. Fabric GX, Cam 266(?) jars, part of pot (444g), abraded. Fabric GX (BSW), part base and a few body sherds (83g). Fabric GX (47g). Mid 1st to the early 2nd century.

HF152: inhumation burial (H2)

Description: One end of inhumation burial HF152 was located outside the excavation area. The surviving grave measured 1.82m by 0.50m and 0.26m deep, and was aligned north to south. It was cut by inhumation burial HF58 and cut inhumation burial HF347.

Human bone: No human bone had survived.

Residual burial evidence: Fourteen fragments of cremated human/probably human bone (30g) along with twenty pottery sherds from a jar probably came from an earlier disturbed cremation burial or pit containing pyre debris.

Residual finds: Thirty-one pottery sherds, seven iron nails, one fragment of Roman brick/tile (61g) and one tessera cube (30g).

Date: Mid 2nd to the late 3rd/early 4th century (date based on residual pottery sherds)

HF153: pit containing pyre debris (H2)

Description: Pit HF153 had been cut in half by a modern service trench. The surviving feature measured 0.60m by 0.30m and 0.21m deep, and contained charcoal from pyre debris scattered throughout.

Cremated human bone: No human bone was recorded.

Burial goods/residual goods: Three iron nails.

Date: Roman.

HF153.1 H(335). Three incomplete nails, lengths 57 (x 2) and 19mm.

HF154: urned cremation burial (H2) (Fig 25)

Description: Pit HF154 was an oval feature, 0.52m by 0.47m and 0.30m deep, containing an urned cremation burial. It cut enclosure ditch HF155.

Cremated human bone: Eight hundred and ninety-eight fragments of cremated human bone were excavated weighing 499g. The individual was young but the age and sex could not be determined.

Burial goods: A jar (HF154.1) had been used as a cremation urn. Four pottery sherds were identified inside the cremation urn and may have been residual sherds from the pyre site.

Date: Mid 2nd to the late 3rd/early 4th century.

HF154.1 H(369). Fig 25. Cam 268 large jar, Fabric GX, (1674g). Whole pot, broken into sherds, presumed complete when buried, approximately 60% of rim, distinct quartz sand in fabric. Mid 2nd to the late 3rd/early 4th century.

HF154.2 H(369) Pottery sherds from inside cremation urn. One sherd, Fabric GX, small abraded; three sherds, Fabric HZ, joining, exterior sooted, possibly burnt (90g). Mid 1st to the 2nd century.

HF156: pyre pit (H2)

Description: Only part of pyre pit HF156 was located inside of the excavation area. The excavated feature measured 0.80m by 0.42m and 0.40m deep. The bottom 0.11m of the pit was charcoal rich with scorched/burnt sand around the edges and burnt stone scattered throughout.

Cremated human bone: No human bone was recorded.

Burial goods/residual goods: Nine pottery sherds and one iron nail.

Date: Mid 1st to the 2nd/3rd century

HF156.1 H(343). Pottery sherds. Fabric GX, DJ (including base sherds from miniature pot) (27g). Mid 1st to the 2nd/3rd century.

HF157: possible burial feature (H2)

Description: Possible burial feature HF157 had been cut by inhumation burial HF158. The surviving feature measured 0.67m by 0.57m and 0.17m deep.

Residual finds: Nine pottery sherds.

Date: 2nd to the 4th century.

HF158: inhumation burial (H2)

Description: Only part of inhumation burial HF158 was located inside of the excavation area. The excavated grave measured 1.60m by 0.72m and 0.27m deep, and was aligned east to west. It was partially cut by inhumation burial HF177.

Human bone: No human bone had survived.

Residual finds: Twenty-seven pottery sherds, a fragment of melted blue-green glass and a fragment of cremated human/probably human bone (1g).

Date: Mid 1st to the 2nd/3rd century (residual pottery sherds)

HF159: urned cremation burial (H2)

Description: Pit HF159 was a round feature, 0.37m in diameter and 0.25m deep, containing an urned cremation burial. It cuts inhumation burial HF350.

Cremated human bone: Two hundred and eleven fragments of cremated human/probably human bone were excavated weighing 223g.

Burial goods: A bowl (HF159.1) had been used as a cremation urn. A puddle of glass (.2) and some iron nails (.3) had been burnt of the pyre.

Burial goods/residual finds: Pottery sherds and six iron nails.

Date: Mid 1st to the early 2nd century.

HF159.1 (H339). Cam 221 bowl, Fabric GX (902g), part pot, broken, clearly most of base & body, but much of shoulder and neck missing apart from one large sherd. Mid 1st to the early 2nd century.

HF159.2 H(339). Amorphous puddle of melted blue-green glass with traces of burnt human bone and soil adhering to it. 31 by 18 by 5mm; weight 2g. All that remains of a glass vessel burnt on the pyre.

HF159.3 H(340). Six iron nails. Three complete, burnt, lengths 48, 40 and 37 (clenched) mm; three incomplete, lengths 41, 39 and 12mm.

HF160: inhumation burial (H2)

Description: Only part of inhumation burial HF160 was located inside of the excavation area. The excavated grave measured 1.06m by 0.72m and 0.20m deep, and was aligned northeast to southwest. It cut inhumation burial HF163 and pits containing pyre debris HF164 and HF165.

Human bone: Three fragments of human bone were excavated weighing 27g.

Residual finds: One hundred and sixty pottery sherds, six iron nails and four fragments of Roman brick/tile (191g).

Date: Mid 2nd to the 3rd century (residual pottery sherds).

HF161: inhumation burial (H2) (Photograph 19, Fig 26)

Description: Inhumation burial HF161 was located within a grave measuring 2.43m by 1m and 1.10m deep, and aligned northeast to southwest with the head to the northeast.

Human bone: Sixteen fragments of human bone were excavated weighing 63g.

Timber coffin: Forty-three iron coffin nails show that the body had been buried within a timber coffin measuring approximately 2.02m by 0.55m.

Burial goods: A jar (HF161.1), three flagons (.2-.4) and a beaker (.5) had been placed at the southwest end of the coffin. Fifty-four iron hobnails (.6) also to the southwest show that the body had been buried with/wearing nailed leather footwear.

Residual burial evidence: Eighteen fragments of cremated human/probably human bone (9g) along with three burnt sherds from a dish/bowl probably that probably came from a disturbed cremation or pit containing pyre debris.

Residual finds: Thirty-two pottery sherds.

Intrusive finds: Two fragments of peg tile (64g).

Date: Early/mid 2nd to the early 3rd century.

HF161.1 H(338). Fig 26. Cam 328 jar, Fabric GB (258g). Whole, complete, acute lattice decoration, possible faint traces of sooting on exterior body. Mid 1st to the early 2nd century.

HF161.2 H(338). Fig 26. Flagon placed inside jar HF161.1, Fabric DJ (345g). Base and mid-upper body some sherds recently broken away. Early/mid 2nd to the early 3rd century.

HF161.3 H(385). Fig 26. Cam 156A flagon with cup mouth, Fabric DJ (304g). Whole pot slightly distorted (poorly finished) handle with single, central groove. Hadrianic to the early 3rd century.

HF161.4 H(386). Fig 26. Cam 155 flagon with mouth slightly cupped internally, Fabric DJ (448g). Whole pot handle with single, central groove. Late 1st to the mid 2nd century.

HF161.5 H(390). Fig 26. Cam 391 beaker, Fabric CZ (370g). Near complete parts of rim and base missing, whole when buried, surfaces abraded. Early/mid 2nd to the early 3rd century.

HF161.6 H(405), SF57. Fifty-four iron hobnails and hobnail fragments, some neatly corroded together, many with traces of mineral-preserved leather on the undersides, longest 14mm. There is insufficient evidence to determine whether the footwear had been worn or not.

HF162: possible burial feature (H2)

Description: Only part of burial feature HF162 was located inside of the excavation area. The excavated feature measured 0.95m by 0.23m. It cut inhumation HF167.

Finds: Two pottery sherds and one iron nail.

Date: Mid 2nd to the 3rd century

HF163: inhumation burial (H2)

Description: Inhumation burial HF163 had been cut at one end by inhumation burial HF160. It measured 2.28m by 0.84m and 0.37m deep, and was aligned northwest to southeast. It cut inhumation burial HF167, burials pits containing pyre debris HF164 and HF165, and possible burial feature HF168.

Human bone: Three fragments of human bone were excavated weighing 24g.

Residual burial evidence: Four fragments of cremated human/probably human bone (9g), one fragment of melted glass and three fragments of burnt flint (49g) probably came from an earlier disturbed cremation burial or pit containing pyre debris.

Residual finds: Two hundred and nineteen pottery sherds (mid 2nd to the 3rd century), seven iron nails, three fragments of Roman brick/tile (117g) and one Roman tessera cube (11g).

Date: Roman.

HF164: pit containing pyre debris (H2)

Description: Pit HF164 had been cut by inhumation burials HF160 and HF163. The surviving feature measured 0.55m by 0.50m and contained pyre debris in the form of cremated human bone and charcoal scattered throughout.

Cremated human bone: Seven fragments of cremated human/probably human bone were excavated weighing 6g.

Residual finds: Three pottery sherds and one fragment of Roman brick/tile (154g).

Date: Early/mid 2nd to the early 3rd century.

HF164.1 H(352). Pottery sherds. Fabric DJ, GB Cam 37A (32g). Early/mid 2nd to the early 3rd century.

HF165: pit containing pyre debris (H2)

Description: Pit HF165 had been cut by inhumation burial HF160. The surviving feature measured 0.39m by 0.30m and 0.10m deep and contained pyre debris in the form of cremated human bone and charcoal scattered throughout. It cut inhumation burial HF167.

Cremation human bone: Two fragments of cremated human/probably human bone were excavated weighing 2g.

Residual finds: Eight pottery sherds and one iron nail.

Date: Mid 1st to the 2nd/3rd century.

HF165.1 H(358). Pottery sherds. Fabric GX, DJ (39g). Mid 1st to the 2nd/3rd century.

HF166: possible burial feature (H2)

Description: Only part of burial feature HF166 was located inside of the excavation area. It had also been cut by inhumation burial HF51. The surviving feature measured 0.80m by 0.30m and 0.14m deep.

Residual finds: One pottery sherd and one fragment of burnt flint (99g).

Date: Mid 1st to the 2nd century

HF167: inhumation burial (H2) (Fig 27)

Description: Only part of inhumation burial HF167 was located inside the excavation area. It had also been cut by possible burial feature HF162, inhumation burial HF163 and pit containing pyre debris HF165. The surviving grave measured 1.35m by 0.50m, and was aligned north to south.

Human bone: Forty-one fragments of human bone were excavated weighing 948g. The individual was an adult male. The pelvis was excavated to the north of the grave pointing south (so the head should have been located further to the north). However, the rest of the lower body was also excavated to the north of the pelvis, almost as though the body was folded in half. It is perhaps unlikely that the body was deliberately buried like this but was probably the result of later disturbance.

Residual finds: Five pottery sherds.

Date: Mid 1st to the 2nd century

HF168: possible burial feature (H2)

Description: Burial feature HF168 had been cut by inhumation burial HF163. The surviving feature measured 0.60m by 0.30m.

Date: Roman.

HF169: urned cremation burial (H2)

Description: Pit HF169 had been cut by pit HF154. It was a round feature, 0.37m in diameter and 0.35m deep, containing an urned cremation burial. It cut enclosure ditch HF155.

Cremated human bone: One thousand four hundred and eighty-four fragments of cremated human/probably human bone were excavated weighing 1942g.

Burial goods: A jar (HF169.1) had been used as a cremation urn.

Residual finds: Seventy-seven pottery sherds and a fragment of limestone (37g).

Date: Mid 1st to the 2nd/3rd century.

HF169.1 H(397). Cam 270B jar, Fabric GX (2660g). Stab decoration around shoulder, burnished on neck and rim, body whole to shoulder, rim and neck broken away. Mid 1st to 2nd/3rd century.

HF170: pit containing pyre debris (H2)

Description: Pit HF170 was a round feature 0.45m in diameter and 0.13m deep, containing pyre debris in the form of cremated human bone and charcoal scattered throughout.

Cremated human bone: Twenty-two fragments of cremated human/probably human bone were excavated weighing 6g.

Burial goods/residual finds: Twenty-four pottery sherds, two pieces of Roman tile and imbrex (126g) and five fragments of septaria (14g)

Date: Mid 1st to the 2nd/3rd century

HF170.1 H(368). Pottery sherds. Fabric DJ, GX (117g). Mid 1st to the 2nd/3rd century.

HF171: pit containing pyre debris (H2)

Description: Pit HF171 was an oval feature, 0.40m by 0.33m and 0.10m deep, containing charcoal from pyre debris scattered throughout.

Cremated human bone: No human bone was recorded

Burial goods/residual finds: Seven pottery sherds, one burnt.

Date: Late 2nd to the 3rd century.

HF171.1 H(381). Pottery sherds. Fabrics DJ includes bowl rim, GX probably from a folded beaker, burnt(?) (34g). Late 2nd to the 3rd century?

HF172: inhumation burial (H2)

Description: Only part of inhumation burial HF172 was located inside of the excavation area. The excavated feature measured 0.69m by 0.69m and 0.47m deep, and was aligned northeast to southwest.

Human bone: No human bone had survived.

Residual finds: Six pottery sherds, four iron nails and one fragment of burnt limestone (37g).
Date: Early to the mid 2nd century (based on residual pottery sherds).

HF176: inhumation burial (H2) (Photograph 16, Fig 27)

Description: Only part of inhumation burial HF176 was located inside the excavation area. The excavated grave measured 2.43m by 0.64m and 0.48m deep, and was aligned northwest to southeast. It cut inhumation burials HF158, HF177 and HF190a.

Human bone: One hundred and eighteen fragments of human bone were excavated weighing 2032g. The grave contained one articulated body buried supine on its back with its head to the northwest. The individual was a mature male aged about 40 years old. He had a height range of 132 to 140cm (5 feet 2 inches to 5 feet 5 inches) and this short stature and high forehead suggests the possibility of hypopituitarism, a deficiency in the growth hormone leading to dwarfism. A second skull was excavated at the southeast end of the grave by the feet of the male. The skull was possibly from a young female who showed evidence of a possible healed trauma. The positioning of the coffin nails suggests that the female skull was located in the same coffin as the male skeleton. However, as only half of the grave was inside the excavation area it is impossible to tell if the rest of the female skeleton was simply unexcavated or if only the skull the present.

Timber coffin: Twenty-one iron coffin nails show that the body/bodies had been buried in a timber coffin measuring approximately 1.95m long. Timber staining from the coffin was also evident in the bottom of the feature.

Residual finds: One hundred and six pottery sherds.

Date: Mid 2nd to the 4th century (based on residual pottery sherds).

HF177: inhumation burial (H2) (Fig 28)

Description: Part of inhumation burial HF177 was located outside of the excavation area. It had also been cut across the mid/upper fill by inhumation burial HF176. The surviving grave measured 2.32m by 0.68m and 0.39m deep, and was aligned slightly off east to west with the head to the east. It cut inhumation burials HF158 and HF190a.

Human bone: One hundred and thirty-four fragments of human bone were excavated weighing 1731g. The individual was an adult male aged about 25-35 years old. He showed evidence of arthritis in his left hand and degenerative wear and Shmorl's nodes on his lumbar vertebrae. During excavation the pelvis was found by the feet of the body showing that the grave had been disturbed sometime after the initial burial.

Timber coffin: Nineteen iron coffin nails show that that body had been buried within a timber coffin measuring approximately 0.48m wide.

Burial goods: Twenty-seven iron hobnails (HF177.1) in the western end of the coffin show that the body had been buried with/wearing nailed leather footwear. These were only found on the right foot, with those from the left presumably completely missing due to disturbance.

Residual finds: Sixty pottery sherds, one fragment of Roman imbrex (27g) and two fragments of flue tile (125g).

Date: Mid 2nd to the mid 3rd century (residual pottery sherds)

HF177.1 H(448), SF68. Twenty-seven iron hobnails and hobnail fragments from nailed leather footwear, longest 18mm. Only found on the right foot, with those from the left presumably missing due to disturbance.

HF179: inhumation burial (H1)

Description: Only part of inhumation burial HF179 was located inside of the excavation area. The excavated grave measured 1.05m by 0.65m and 0.41m deep, and was aligned east to west.

Human bone: No human bone had survived.

Residual finds: One pottery sherd and one fragment of Roman brick/tile (60g).

Date: Roman.

HF180: urned cremation burial (H2)

Description: Pit HF180 was a round feature, 0.53m in diameter and 0.18m deep, containing an urned cremation burial. It cut inhumation burial HF185.

Cremated human bone: Five hundred and ninety-five fragments of cremated human/probably human bone were excavated weighing 930g.

Burial goods: A jar (HF180.1) had been used as a cremation urn and two pottery sherds (.2) found inside the urn were probably from the pyre as was a burnt iron hobnail (.3).

Residual: Ninety-six pottery sherds.

Date: Roman.

HF180.1 H(407). Jar, Fabric GX (1042g). Base (complete) and joining sherds from lower wall, truncated, probably whole when buried. Roman.

HF180.2 H(407). Two pottery sherds recovered from inside jar HF180.1. Fabric GX, burnt with crazed interior surface, probably pyre damage (20g). Roman.

HF180.3 H(407), SF183. Iron hobnail with fragments of cremated human bone attached, burnt. Length 19mm.

HF181: disturbed burial feature (H2)

Description: Pot scatter HF181 had no definable edges. It was probably originally a cremation burial or a pit containing pyre debris.

Cremated human bone: Forty fragments of cremated human/probably human bone were excavated weighing 30g.

Burial goods/residual finds: Thirty pottery sherds.

Date: Mid 1st to the early 2nd century +

HF181.1 H(409). Pottery sherds. Fabric GX (314g). Mid 1st to the early 2nd century +

HF182: urned cremation burial (H2) (Fig 29)

Description: Pit HF182 was a round feature, 0.45m in diameter and 0.26m deep, containing an urned cremation burial.

Cremated human bone: Seven hundred and eighty-three fragments of cremated human bone were excavated weighing 2005g. The individual was an adult female showing some signs of arthritis.

Burial goods: A jar (HF182.1) had been used as a cremation urn.

Date: 2nd century +

HF182.1 H(419). Fig 29. Jar with rilled shoulder, Fabric GX (1691g). Whole pot, (similar to CAR 10 Fabric HZ fig 6.106 no. 54, Cam 271) essentially a 'Broughing' type jar (Going 1987, Type G21); the high shoulder with short neck and rilling suggest a 2nd century or later date.

HF183: inhumation burial (H2) (Fig 30)

Description: Only part of inhumation burial HF183 was located inside of the excavation area. The excavated grave measured 2.1m by 0.82m and 0.60m deep, and was aligned to northeast to southwest with the head to the northeast. It cut inhumation burial HF275.

Human bone: Thirty-eight fragments of human bone were excavated weighing 134g. The individual was a young adult.

Timber coffin: Fourteen iron coffin nails show that the body had been buried within a timber coffin measuring approximately 1.64m long by 0.5m wide.

Burial goods: A jar (HF183.1) and flagon (.2) had been placed in the bottom right corner of the coffin and copper alloy coin (.3) near the head may originally have been placed in the mouth.

Residual finds: Thirty-five pottery sherds and one burnt iron nail.

Date: Mid 2nd to the early 3rd century.

HF183.1 H(494). Fig 30. Cam 278 jar, Fabric GB (337g). Near complete, broken; complete rim, presumed whole when buried, acute lattice decoration on body formed from groups of double lines. Early/mid 2nd to the 3rd century.

HF183.2 H(495). Fig 30. Cam 156 flagon, Fabric DJ (299g). Whole, complete; orange fabric, surfaces abraded by soil conditions, small, faint traces of white on surface may be remains of white slip. Early 2nd to the early 3rd century.

HF183.3 SF67. H(469). Worn copper-alloy as of Faustina I, AD 146-61, *RIC* (AP) 1162. Obverse: [DI]VA FAVST[INA], veiled bust right. Reverse: AET[ERNIT]AS S C, Pietas standing left, raising right hand (and holding box of perfume). Diameter 23-26mm; weight 10.49g. The coin lay near the head and may originally have been in the mouth.

HF185: inhumation burial (H2)

Description: Inhumation burial HF185 had been cut by pit HF180. The grave measured 0.99m by 0.68m and 0.16m deep, and was aligned east to west. It was cut by urned cremation HF180.

Human bone: Twenty-two fragments of human bone were excavated weighing 78g.

Residual finds: Forty-one pottery sherds.

Date: Mid 2nd to the mid 3rd century (date based on residual pottery sherds)

HF187: inhumation burial (H2)

Description: Inhumation burial HF187 had been cut through the middle by a modern service trench. It was located within a grave measuring 2.04m by 0.40m and 0.40m deep, and aligned south to north with the head to the south. It cut inhumation burial HF189.

Human bone: Forty fragments of human bone were excavated weighing 337g. The individual was an adult, possibly male.

Burial goods/residual finds: Part of a jar (HF187.1) may be either a disturbed burial pot from this grave or from an earlier burial feature.

Residual goods: One fragment of Roman brick/tile (7g).

Date: Early/mid 2nd to the 3rd century.

HF187.1 H(430). Cam 278 jar (acute lattice), Fabric GB, sherds from rim & wall & base, some join, part pot, relation to burial not known (124g). Early/mid 2nd to the 3rd century.

HF188: bustum burial (H2) (Photograph 23-24, Fig 31)

Description: Only part of bustum HF188 was located inside the excavation area. The excavated feature measured 1.28m by 0.74m and 0.45m deep. The edges of the pit had been scorched and there were thick concentrations of charcoal scattered throughout.

Cremated human bone: Forty-eight fragments of cremated human/probably human bone were excavated weighing 119g.

Burial goods: Pottery sherds were found scattered throughout the fill of the pit. At least four separate vessels (HF188.1-.4) are likely to be the remains of burial goods. Three unguent bottles (.5-.7) had been placed in the bustum as secondary deposits. The bottles lay on top of the remains of a burnt wooden box with metal fittings (.8-.16). Four fragments of fired clay were also identified (1139g).

Date: Mid 1st to the 2nd century.

HF188.1 H(440). Flagon with flanged neck, Fabric DJ, much of pot present, broken-up into sherds, part of handle, part of neck, part of base missing (560g). Mid to late 1st century.

HF188.2 H(440). Cam 243-244/246 bowl, Fabric DJ, rim, possibly discoloured by heat (21g). Mid 1st to the early/mid 2nd century.

HF188.3 H(440). Everted rim from a beaker, Fabric GP (2g). Mid 1st to the 2nd century.

HF188.4 H(440). Rim from a small jar or bowl with a shallow lid seating? Fabric GX (7g). Mid 1st to the 2nd century.

HF188.5 H(440). Pottery sherds. Fabric DJ flagon handle and ribs, GX, GX(BSW) (53g).

Comment on the burial goods

In the *bustum* three unguent bottles (Fig 31, HF188.6-8) were found lying together on their sides at the southern end of the feature, mainly within, but in one case slightly overlaying, the footprint of a burnt box. None of the bottles has been burnt, making them secondary deposits. All have a stained sandy deposit in places on the inner wall, in each case concentrated on the side that lay downwards. The deposit represents the remains of the original contents. All three vessels are of blue-green glass, of truncated conical form with a comparatively narrow body, and all have an asymmetric rim to aid pouring out the contents. Examples date chiefly from the later 1st century into the middle of the 2nd (Cool and Price 1995, 161-2, figs 13.2-3; Cool 2008, 83-4).

The bottles lay on top of the remains of a burnt wooden box with metal fittings. Staining from the wood covered an area of approximately 410 by 355mm, with the remains of the lock-plate lying at the centre of the long side. These dimensions are rather larger than other boxes of this type, many of which are about 300 by 240mm in plan and 150mm high (Borrill 1981, 304), but allowing for some outward collapse of the boards the proportions are much the same, with the depth (front to back) being about 80% of the width (across the front). All that remains of the lock

mechanism are a copper-alloy lock-bolt (Fig 31, HF188.11) and several fragments of copper-alloy sheet from the lock-plate, some with traces of iron on one side and one with a small catch and rivet (HF188.9-10), and a narrow iron strip encased in mineral-replaced wood (HF188.14). The lock-plate, and possibly other pieces of sheet cladding, had been attached to the box by convex copper-alloy studs (Fig 31, HF188.12; not illustrated HF188.13-15), which may also have been used to attach a leather covering to the box (Riha 2001, 52). Four thin box-rings that had been attached to the box by iron split-spike loops also survive (Fig 31, HF188.16; not illustrated, HF188.17-18a-c). A single thin iron nail head (HF188.18d) may point to the box's boards being nailed together rather than jointed, or, as an alternative to the copper-alloy studs, small iron nails may have been used to attached a leather covering. Nothing remains of the box's contents, which were probably clothes or other organic items.

The rings and studs of this box are plain compared to those on many other mid 1st to 2nd century examples (e.g. Borrill 1981; Saunders 1985; Riha 2001), and it may date to late in the range set by the unguent bottles.

HF188.6 H(451), Fig 31. Blue/green glass truncated conical unguent bottle. Unburnt, complete and intact apart from a group of chips at one point on the rim. The glass has a few bubbles and two very marked vertical spirals. There are tooling marks on the out-turned asymmetrical rim and at the base of the long neck. The conical body is rounded at the junction with the slightly concave base, which bears an off-centre pontil scar. There are streaks of a stained sandy deposit on part of the inner wall. Height 97 mm; height of body 33mm; rim diameter 23-26mm; maximum diameter of body 30mm; base diameter approx. 22mm; pontil scar 13-15mm.

HF188.7 H(452), Fig 31. Blue/green glass truncated conical unguent bottle. Unburnt, complete apart from the rim, only a small part of which survives. The glass has many bubbles, some elongated, and one very large slightly yellowish bubble on the body that has been flattened but retains slanting air-pockets that give it a wrinkled appearance. There are tooling marks on the out-turned rim and at the base of the long neck. The conical body is rounded at the junction with the concave base. There is no pontil scar. There are streaks of a stained sandy deposit on part of the inner wall. Height 85mm; height of body 29mm; rim diameter 16mm approx.; maximum diameter of body 21mm; base diameter approx. 19mm.

HF188.8 H(453), Fig 31. Blue/green glass truncated conical unguent bottle. Unburnt, complete and intact. The glass has many bubbles, some elongated and several large. There are tooling marks on the out-turned asymmetrical rim and at the base of the long neck. The conical body is rounded at the junction with the flat base, which is wholly covered by a pontil scar. There are streaks of a stained sandy deposit on part of the inner wall. Height 71mm; height of body 25mm; rim diameter 14-15mm; maximum diameter of body 20mm; base diameter approx. 11mm.

HF188.9 H(438), SF51. Found halfway along the eastern long edge of the wood stain. Seven non-fitting fragments of thin copper-alloy sheet from a lock-plate, some with traces of iron on one face. 37 by 24mm, 27 by 18mm, 27 by 16mm, 17 by 10mm, 14 by 9mm, 10 by 5mm, 6 by 7mm.

HF188.10 H(466), SF65. Found near HF188.9. Six fragments, and three tiny flakes, of thin copper-alloy sheet from the lock-plate, two with traces of iron on one face, and one with a small catch on one side and traces of iron around a short rivet on the other. 21 by 18mm, 15 by 14mm (with 19 mm long catch), 15 by 10mm, 14 by 11mm, 10 by 8mm, 9 by 6mm.

HF188.11 H(449), SF53, Fig 31. Found near HF188.9. Copper-alloy lock-bolt from a tumbler lock, with slight traces of iron on each face. Length 49mm, width 9mm, thickness 5mm.

HF188.12 H(464), SF63, Fig 31. Found on east side. Copper-alloy convex-headed stud with square-section shank. Diameter 15mm, length 12mm.

HF188.13 H(465), SF64. Found towards south side. Damaged copper-alloy stud as HF188.12; scorched. Diameter >11mm, length 14mm.

HF188.14 H(439), SF52. Narrow iron strip fragment encased in mineral-replaced wood and with traces of convex copper-alloy sheet (possibly a stud as HF188.12 and HF188.13 above) on one face. Length 16mm.

HF188.15 H(467), SF191a. From sample S<56>. a) Copper-alloy stud as HF188.12. Diameter 14mm, length 15mm. b) Small fragments of copper-alloy sheeting, largest 11 by 10mm (bent).

HF188.16 H(437), SF50, Fig 31. Copper-alloy lozenge-section box ring with part of an iron split-spike loop attached, the spike covered with mineral-preserved wood. Diameter 21mm, height 1.5mm, width 1mm.

HF188.17 H(450), SF54. Fragment of copper-alloy box ring as HF188.16, also with part of its iron split-spike loop attached; scorched. Diameter 22mm, height 2mm, width 1mm; length of spike 15mm.

HF188.18 H(467), SF191b. From sample S<56>. a) Copper-alloy box ring as HF188.16, with part of the loop of an iron split-spike loop attached. Diameter 21mm, height 2mm, width 1mm. b) Fragment of a copper-alloy box ring as HF188.16, with part of an iron split-spike loop attached, covered with mineral-preserved wood; scorched. Diameter 21mm, height 2mm, width 1mm; length of spike 16mm. c) Spike from an iron split-spike loop, covered with mineral-preserved wood. Length 19mm. d) Thin burnt iron nail or stud head. Diameter 10mm.

HF189: inhumation burial (H2)

Description: Inhumation burial HF189 had been cut by a modern service trench and by inhumation burial HF187. The grave measured 2.10m by 0.67m and 0.60m deep, and was aligned northwest to southeast.

Human bone: No human bone had survived.

Timber coffin: Fourteen iron coffin nails show that the body had been buried within a timber coffin measuring approximately 1.80m by 0.55m.

Residual finds: One pottery sherd.

Date: Roman.

HF190a: inhumation burial (H2) (Fig 32)

Description: Inhumation burial HF190A had been cut by inhumation burials HF176, HF177 and HF196, making the edges of the grave very difficult to determine but as excavated in measured 1.23m by 0.72m. The grave was aligned northeast to southwest.

Human bone: One hundred and sixty-seven fragments of human bone were excavated weighing 1312g. The grave had obviously been disturbed with most of the upper body missing aside from a partial arm and skull which had been placed over the upper legs. The individual was an adult male aged 40+ years old and had a height range of 174 to 181cm (5 feet 8 inches to c 6 feet tall). He showed evidence of arthritis in his hand and knee, and degenerative wear on his vertebrae.

Timber coffin: Nineteen iron coffin nails show that the body had been buried within a timber coffin measuring at least 0.45m wide.

Burial goods: A jar (HF190A.1) and flagon (.2) had been placed in the coffin to the right of the legs.

Residual finds: Fifty-nine pottery sherds and a small mass of fused iron hobnails.

Date: Early/mid 2nd to the early 3rd century.

HF190a.1 H(486). Fig 32. Cam 278 jar, Fabric KX, presumed complete, broken, acute lattice over body (396g). Early/mid 2nd to the late 2nd/early 3rd century.

HF190a.2 H(487). Fig 32. Cam 156A flagon with cup mouth, Fabric DJ (847g). Whole pot, handle with two ribs. Early/mid 2nd to the early 3rd century.

HF190b: urned cremation burial (H2)

Description: Pit HF190B was an oval feature, 0.57m by 0.49m and 0.14m deep, containing a disturbed urned cremation burial.

Cremated human bone: Two hundred and sixty-eight fragments of cremated human/probably human bone were excavated weighing 319g.

Burial goods: A jar (HF190B.1) had been used as a cremation urn. Five burnt iron hobnails (.2) and one burnt iron nail (.3) from the pyre were also recorded.

Date: Mid 1st to mid 2nd century+.

HF190b.1 H(445). Jar, Fabric GX, broken (471g). Mid 1st to mid 2nd century+.

HF190b.2 H(486), SF180. Minimum of five iron hobnails, longest 13mm, burnt.

HF190b.3 H(455), SF187. Iron nail fragment, length 10mm, burnt.

HF191: inhumation burial (H2)

Description: Inhumation burial HF191 had been cut through the middle by inhumation burials HF143 and HF151. It was located within a grave measuring 1.86m by 0.55m and 0.52m deep, and aligned north to south with the head to the north. It cut inhumation burial HF192.

Human bone: Twenty-six fragments of human bone were excavated weighing 179g.

Date: Roman.

HF192: inhumation burial (H2)

Description: Inhumation burial HF192 was cut by inhumation burials HF143 and HF191. It was located within a grave measuring 1.15m by 0.43m, and aligned northwest to southeast.

Human bone: No human bone had survived.

Date: Roman.

HF193: inhumation burial (H2) (Fig 32)

Description: Only part of inhumation burial HF193 was located inside of the excavation area. The excavated grave measured 1.55m by 0.98m and 0.86m deep, and was aligned northeast to southwest. It was cut by inhumation burial HF151.

Human bone: No human bone had survived.

Timber coffin: Seventeen iron coffin nails show that the body had probably been buried within a timber coffin.

Burial goods: Two clusters of iron hobnails (HF193.1) show that the body had been buried with, but not wearing, nailed leather footwear.

Residual finds: Fourteen pottery sherds and one fragment of Roman brick/tile (102g).

Date: Mid 1st to the 2nd/3rd century (residual pottery sherds)

HF193.1 H(462), SF150. One hundred iron hobnails and hobnail fragments, longest 16mm. **H(463), SF 60.** One hundred and twenty-seven iron hobnails and hobnail fragments, longest 17mm. Nailed leather footwear at the foot of the grave were not worn at the time of burial but lay with the left toe beneath the right heel, with the nailing pattern on each well-preserved. With a line of hobnails around the edge of the sole, another line inside it, and a central row running from toe to heel, the pattern is van Driel-Murray's 2a (1995).

HF194: inhumation burial (H2)

Description: Inhumation burial HF194 was located within a grave measuring 1.24m by 0.48m and 0.32m deep, and aligned north to south. It is cut by urned cremation HF136.

Human bone: No human bone had survived.

Burial goods: A copper alloy coin (HF194.1) near the north end of the grave may originally have been placed in the mouth of the deceased.

Residual finds: Five pottery sherds, four iron nails and one Roman tessera cube (20g).

Date: Late 1st century +

HF194.1 H(478), SF66. Copper-alloy as of Vespasian, AD 69-79 (AD 72), Lyons mint, *RIC* (2nd edition) 1197. Obverse, only slightly worn: IMP CAESAR VESPASIAN AVG COS IIII, radiate head right. Reverse, worn: SECVRITAS AVGVSTI, S C in exergue, Securitas seated right, resting head on raised right arm, holding sceptre in left, altar and torch before. Diameter 27.5mm; weight 9.76 g. Lay near the north end of the grave pit and may originally have been placed in the mouth.

HF195: pit containing pyre debris (H2)

Description: Pit HF195 was a round feature, 0.37m in diameter, containing pyre debris in the form of cremated human bone and charcoal scattered throughout.

Cremated human bone: Five fragments of cremated human/probably human bone were excavated weighing 19g.

Burial goods: Two fragments of melted glass, probably from the same unguent bottle, represent burial goods burnt on the pyre.

Residual finds: Three pottery sherds.

Date: Mid 1st to the 2nd/3rd century.

HF195.1 H(79). Melted and distorted rim and part of the neck of a blue-green glass unguent bottle. The glass has a few bubbles. The rim is out-turned. Height 54mm; rim now 34mm wide.

HF195.2 H(515). Amorphous drip of blue-green melted glass, probably from unguent bottle H(79). 23 by 18 by 9mm; weight 3g.

HF196: inhumation burial (H2)

Description: Only part of inhumation burial HF196 was located inside of the excavation area. The excavated feature measured 0.78m by 0.63m and 0.56m deep, and was aligned northeast to southwest. It cut inhumation burial HF190a.

Human bone: One fragment of human bone weighing 8g.

Residual finds: Twenty-three pottery sherds, six iron nails and one fragment of cremated human/probably human bone (2g).

Date: Early to the mid 3rd century + (date based on residual pottery sherds)

HF197: inhumation burial (H2) (Fig 33)

Description: Inhumation burial HF197 had been cut by inhumation burial HF81. It was located within a grave measuring 2.45m by 1.34m and 1.01m deep, and aligned southwest to northeast with the head to the southwest. It cut unurned cremation HF201/HF212.

Human bone: Seventy-two fragments of human bone were excavated weighing 316g. The individual was a young adult of indeterminate sex. Cattle jaw and teeth fragments were also identified among the assemblage.

Timber coffin: Forty-three iron coffin nails show that the body had been buried within a timber coffin measuring approximately 1.88m by 0.40m.

Burial goods: Two clusters of iron hobnails (HF197.1) outside the coffin show that the body had been buried with, but not wearing, nailed leather footwear. Cattle jaw and teeth fragments may represent the remains of a burial feast.

Residual finds: One hundred and fourteen pottery sherds and one fragment each of Roman brick/tile (29g), flue tile (60g), and septaria (206g).

Intrusive finds: Two fragments of peg-tile (36g).

Date: Mid/late 3rd to the 4th century (date based on residual pottery sherds)

HF197.1 SF69. Iron hobnails and hobnail fragments. a) **H(489)**. One, length 15mm. b) **H(516)**. Thirteen, longest 15mm. c) **H(518)**. One, length 14mm. **H(520), SF185**. Twenty-six iron hobnails and hobnail fragments, longest 14mm. Two groups of hobnails were found along the western edge of the coffin. One group consist of nearly twice the number of the other, and they may represent two pairs of nailed leather footwear rather than one, although burial conditions may be also be responsible for the difference.

HF198: pit containing pyre debris (H2)

Description: Pit HF198 was an oval feature, 0.60m by 0.48m deep, containing pyre debris in the form of cremated human bone and charcoal scattered throughout.

Cremated human bone: Twenty-five fragments of cremated human/probably human bone were excavated weighing 37g.

Burial goods/residual finds: Six pottery sherds and one fragment of burnt flint (58g).

Date: Mid 1st to the 2nd/3rd century.

HF198.1 H(493). Pottery sherds. Fabrics DJ, GX (37g). Mid 1st to the 2nd/3rd century.

HF199: urned cremation burial (H2) (Photograph 21, Fig 34)

Description: Pit HF199 was a round feature, 0.51m in diameter and 0.29m deep, containing a disturbed urned cremation burial. It cut enclosure ditch HF213.

Cremated human bone: Four hundred and fifty-four fragments of cremated human/probably human bone were excavated weighing 1080g.

Burial goods: A bowl (HF199.1) had been used as a cremation urn.

Residual finds: One iron nail.

Date: Mid 1st to the early 2nd century.

HF199.1 H(496). Fig 34. Cam 218 bowl, Fabric GX (2749g). Complete, broken, intact profile, one side broken into sherds, cordon decorated with lattice of burnished lines. Mid 1st to the early 2nd century.

HF200: pyre pit (H2) (Photograph 25)

Description: Only part of pyre pit HF200 was located inside the excavation area. The excavated feature measured 1.09m by 0.62m and 0.44m deep. The edges of the pit had been scorched and there were thick concentrations of charcoal and cremated human bone scattered throughout.

Cremated human bone: Eighty-five fragments of cremated human/probably human bone were excavated weighing 166g.

Environmental remains: Environmental remains included wheat grains and a number of small legumes, probably from the use of dried herbage as tinder, kindling or fuel within the pyres. A number of fragments of an open textured organic material were also recorded. This may be from charred foodstuffs (possibly bread) included as offerings to the deceased.

Burial goods/residual finds: Fifty-four pottery sherds from flagons, one fragment of Roman brick/tile (17g) and one piece of burnt flint (16g).

Date: Roman.

HF200.1 H(535). Pottery sherds. Fabric FJ flagons, DJ flagons (972g). Roman.

HF201/HF212: unurned cremation burial (H2)

Description: Pit HF201/HF212 had been cut by inhumation burial HF197. The surviving feature measured 0.48m by 0.39m and 0.13m deep and contained an unurned cremation burial. It cut enclosure ditch HF213.

Cremated human bone: Six hundred and fifty-three fragments of cremated human/probably human bone were excavated weighing 285g.

Residual finds: Five pottery sherds and eight iron nails.

Date: Mid 2nd to the 3rd/4th century (date based on residual pottery sherds)

HF202: possible burial feature (H2)

Description: Pot scatter HF202 had no definable edges. It was possibly originally part of a disturbed burial feature.

Finds: Forty pottery sherds and a fragment of a ceramic picture lamp (HF202.2).

Date: Roman.

HF202.1 H(501). Pottery sherds. Fabric GX (125g). Roman.

HF202.2 H(501), SF144. Ceramic picture lamp shoulder/discus sherd with rosette motif on the discus and narrowing to a volute; probably Loeschcke Type IV (1919, pl. 1). Fabric buff, with traces of dark slip. Diameter approx. 62mm; weight 2.71g. In Britain the form dates broadly from the mid to late 1st century (Eckardt 2002, 380), but those from primary contexts in Colchester are of Claudian-Neronian date.

HF203: pit containing pyre debris (H2)

Description: Pit HF203 was a round feature, 0.39m in diameter and 0.09m deep, containing pyre debris in the form of one fragment of cremated human bone along with charcoal scattered throughout.

Cremated human bone: One fragment of cremated human/probably human bone was excavated weighing 6g.

Burial goods/residual finds: Twelve pottery sherds.

Date: Roman.

HF203.1 H(503). Pottery sherds. Fabric DJ, GX (51g). Roman.

HF204: pit containing pyre debris (H2)

Description: Pit HF204 was an oval feature, 0.72m by 0.58m and 0.27m deep, containing pyre debris in the form of cremated human bone and charcoal scattered throughout.

Cremated human bone: Sixty-nine fragments of cremated human/probably human bone were excavated weighing 63g.

Burial goods/residual finds: Four pottery sherds.

Date: Roman.

HF204.1 H(505). Pottery sherds. Fabric DJ (19g). Roman.

HF206: pit containing pyre debris (H2)

Description: Pit HF206 was an oval feature, 1.23m by 0.29m and 0.33m deep, containing pyre debris in the form of cremated human bone and charcoal scattered throughout. It was cut by inhumation burial HF272.

Cremated human bone: Twenty-three fragments of cremated human/probably human bone were excavated weighing 49g.

Burial goods/residual finds: Thirty-two pottery sherds and four iron nails.

Date: Mid 2nd to the mid 3rd century.

HF206.1 H(541). Pottery sherds. Fabrics GX jars, DJ, GB Cam 278, TZ mortaria (727g). Mid 2nd to the mid 3rd century.

HF207: inhumation burial (H2)

Description: Only part of inhumation HF207 was located inside the excavation area. It had been cut by inhumation burials HF56, HF57, HF81 and HF82 and burial pit HF209. The small surviving section measured 1.42m by 0.49m and 0.28m deep, and was probably aligned northeast to southwest

Human bone: No human bone had survived.

Date: Roman.

HF208: inhumation burial (H2)

Description: Inhumation burial HF208 had been cut at one end by pit HF3, inhumation burial HF149 and post-medieval pit HF27. The surviving grave measured 0.90m by 0.63m and 0.24m deep, and was aligned northwest to southeast.

Human bone: No human bone had survived.

Residual finds: A pottery sherd.

Date: Roman.

HF209: urned cremation burial (H2) (Fig 34)

Description: Pit HF209 was discovered on the edge of the excavation area and was partly excavated by tunnelling into the side of the baulk. The edges of the feature were largely indeterminate although it appears to have cut inhumation burials HF57 and HF207. The pit contained an urned cremation burial.

Cremated human bone: Seven hundred and seventy-four fragments of cremated human/probably human bone were excavated weighing 675g. The individual was young but the age and sex could not be determined.

Burial goods: A jar (HF209.1) had been used as a cremation urn and had been buried with a lid (.2) and flagon (.3). A single iron hobnail (.4) was found inside the jar.

Date: Early/mid 2nd to the early 3rd century.

HF209.1 H(527). Fig 34. Cam 177 'honey' jar, Fabric DJ (2452g). Whole pot, some cracking to rim. Mid 1st to the early 2nd century.

HF209.2 H(528). Fig 34. Lid, Fabric GX, broken, incomplete (250g).

HF209.3 H(525). Fig 34. Cam 156 flagon, Fabric DJ. Whole complete, buff fabric. Early/mid 2nd to the early 3rd century.

HF209.4 H(527), SF188. Iron hobnail, most of shank missing, length 4mm.

HF210: inhumation burial (H2)

Description: Only part of inhumation burial HF210 was located inside of the excavation area. It had also been cut by burial feature HF211. The excavated grave measured 1.37m by 0.61m and 0.29m deep, and aligned northeast to southwest. It cut inhumation burials HF302 and HF339.

Human bone: No human bone had survived.

Burial goods: A bowl (HF210.1) from the fill of the grave may be a disturbed burial pot.

Residual finds: Sixteen pottery sherds and a fragment of Roman brick/tile (189g).

Date: Mid 1st to the 2nd century.

HF210.1 H(572). Fig 74. Lid seated bowl, Fabric DJ (172g). Rim appears similar to Cam 250 (Sheepen assemblage only at Colchester) oxidised fine sandy ware. Mid 1st to the 2nd century.

HF211: possible burial feature (H2)

Description: Only part of burial feature HF211 was partially located inside of the excavation area. It had also been cut by inhumation burial HF183. The excavated feature measured 0.79m by 0.79m and 0.23m deep.

Date: Roman.

HF214: urned cremation burial (H2) (Photograph 20, Fig 35)

Description: Pit HF214 was a round feature, 0.54m in diameter and 0.30m deep, containing an urned cremation burial. It cut enclosure ditch HF297.

Cremated human bone: Five hundred and forty fragments of cremated human bone were excavated weighing 1325g. The individual was a teenager or young adult of indeterminate sex.

Burial goods: A jar (HF214.1) had been used as a cremation urn and had been buried with part of another jar used as a lid (.2).

Residual finds: Fifty-nine pottery sherds, including twenty scorched/burnt amphora sherds and sherds from a flagon(s).

Date: Mid 1st to the 2nd/3rd century

HF214.1 H(540). Fig 35. Cam 270B storage jar, Fabric GX (2160g). Vessel broken, complete rim and probably all of pot present as sherds. Mid 1st to the 2nd/3rd century.

HF214.2 (H539). Fig 35. Cam 231-232, large narrow mouth jar, Fabric GX (1227g). Sherds from rim (complete) and upper body (some upper body sherds clearly missing), vessel appears scorched/burnt. Used as a lid for urn HF214.1. Mid 1st to the 2nd century.

HF215: pit containing pyre debris (H2)

Description: Pit HF215 was an oval feature, 1.02m by 0.71m and 0.07m deep, containing charcoal from pyre debris scattered throughout.

Cremated human bone: No human bone was recorded.

Burial goods/residual finds: Fragments of bone cladding from an iron furniture leg (HF215.1) and two pottery sherds.

Date: Mid 1st to the 2nd/3rd century.

HF215.1 H(537). Pottery sherds. Fabric DJ (9g). Mid 1st to the 2nd/3rd century.

HF215.2 H(538), SF179. Fig 74. Fragments, some fitting, from a burnt bone cylinder used as cladding from an iron furniture leg (Mikler 1997, Taf. 57, 3-4, Taf. 61. 2-5; Eckardt 1999, fig. 8, 4). Diameter (distorted) approx. 30mm, surviving length 31mm. Feature associated with a high status cremation.

HF219: urned cremation burial (H2) (Fig 36)

Description: Pit HF219 was a round feature, 0.47m in diameter and 0.27m deep, containing a disturbed urned cremation burial. It cut enclosure ditch HF291.

Cremated human bone: Five hundred and sixty-four fragments of cremated human bone were excavated weighing 258g. The individual was an adult, possibly male.

Burial goods: A jar (HF219.1) had been used as a cremation urn

Date: Early/mid 2nd to the late 3rd/early 4th century.

HF219.1 H(549). Fig 36. Cam 218 jar, Fabric GX, complete pot, broken into sherds (1445g). Early/mid 2nd to the late 3rd/early 4th century.

HF220: pit containing pyre debris (H2)

Description: Pit HF220 was an oval feature measuring 1.25m long, 0.53m wide and 0.20m deep, it contained pyre debris in the form of cremated human bone and charcoal scattered throughout. It was cut by inhumation burial HF272.

Human bone: One hundred and twenty-four fragments of cremated human/probably human bone were excavated weighing 114g.

Residual finds: Five pottery sherds.

Date: 2nd century +

HF220.1 H(552). Pottery sherds. Fabric DJ, GX (39g). 2nd century +

HF221: inhumation burial (H2)

Description: Inhumation burial HF221 was located within a grave measuring 1.62m by 0.69m and 0.26m deep, and aligned northeast to southwest. It was cut by unurned cremation HF16 but cut inhumation burial HF222.

Human bone: No human bone had survived.

Residual finds: Twenty pottery sherds and a fragment of leaded bronze.

Date: Roman

HF222: inhumation burial (H2)

Description: Inhumation burial HF222 had been cut by inhumation burial HF221. It was located within a grave measuring 1.56m by 0.84m and 0.13m deep, and aligned northeast to southwest.

Human bone: No human bone had survived.

Residual finds: Pottery sherds.

Date: Roman

HF223: inhumation burial (H2)

Description: Inhumation burial HF223 had been cut by across the upper fill by inhumation burial HF208. It was located within a grave measuring 2.38m by 0.80m and 0.92m deep, and aligned northwest to southeast with the head to the northwest.

Human bone: Sixteen fragments of human bone were excavated weighing 73g. The individual was an adult of indeterminate sex.

Timber coffin: Forty-five iron coffin nails show that the body had been buried within a coffin measuring approximately 1.95m by 0.45m.

Date: Roman

HF245: inhumation burial (H2)

Description: Inhumation burial HF245 had been cut along one edge by inhumation burial HF68. It was located within a grave measuring 1.67m by 0.60m and 0.28m deep, and aligned northeast to southwest. It cut inhumation burials HF274 and HF343/HF344.

Human bone: No human bone had survived.

Residual finds: Three pottery sherds.

Date: Roman

HF268: unurned cremation burial (H2) (Fig 36)

Description: Pit HF268 was a round feature, 0.34m in diameter and 0.14m deep, containing and unurned cremation burial.

Cremated human bone: Seventy-five fragments of cremated human/probably human bone were excavated weighing 24g.

Burial goods: A small jar (HF268.1) had been placed in the pit that appears to have suffered ritual damage before being buried.

Residual finds: Three pottery sherds and one iron nail.

Date: Early/mid 2nd to the mid 3rd century.

HF268.1 H(564). Fig 36. Small Cam 278 jar, Fabric GB, (98g). Whole pot, decorated with burnished single line acute lattice on body, small section of rim missing, appears to be old damage and is similar to ritual damage recorded pots from other Roman burial sites. Early/mid 2nd to the mid 3rd century.

HF269: inhumation burial (H2)

Description: Only part of inhumation burial HF269 was located inside of the excavation area. The excavated grave measured 2.01m by 0.84m and 0.15m deep, and was aligned east to west. It cuts inhumation burials HF270, HF271 and HF302.

Human bone: Sixty-five fragments of human bone were excavated weighing 136g.

Residual finds: One hundred and fifteen pottery sherds and two iron nails.

Date: Roman

HF270: inhumation burial (H2) (Fig 37)

Description: Inhumation burial HF270 had been cut through at one end by inhumation burial HF302 and had been cut across the upper fill by inhumation burial HF269. It was located within a grave measuring 1.52m by 0.50m and 0.24m deep, and aligned north to south with the head to the north.

Human bone: Eighty-two fragments of human bone were excavated weighing 853g. The individual was an adult and probably female. The legs were bent at such an angle to

suggesting that they had been resting on top of something placed in the bottom of the grave. Unfortunately no trace of this had survived.

Residual finds: Twenty-one pottery sherds, one iron nail, one piece of burnt flint and one fragment of limestone (30g).

Date: Mid 1st to the 2nd/3rd century (based on residual pottery sherds)

HF271: inhumation burial (H2) (Fig 38)

Description: Only part of inhumation burial HF271 was located inside of the excavation area, it had been cut across the upper fill by inhumation burial HF269. The excavated grave measured 1.20m by 0.62m and 0.4m deep, and was aligned south to north with the head to the south.

Human bone: One hundred and forty-six fragments of human bone were excavated weighing 104g. The individual was a sub-adult, less than 20 years old, of indeterminate sex.

Timber coffin: Ten iron coffin nails show that the body had been buried within a timber coffin measuring approximately 0.43m wide.

Burial goods: A jar (HF271.1) and beaker (.2) had been placed at the southern end of the coffin by the head.

Residual burial evidence: Thirty fragments of cremated human/probably human bone (17g) probably came from an earlier cremation burial or pit containing pyre debris.

Residual finds: Ten pottery sherds.

Date: Mid 2nd to the mid/late 3rd century

HF271.2 H(594B). Fig 38. Cam 278 jar, Fabric GB (295g). Most of pot in sherds, small area of rim missing (EVE approx 0.75), decorated with grouped line lattice decoration of probable Antonine or later date, black surfaces. Mid 2nd to the mid/late 3rd century.

HF271.1 H(594A). Fig 38. Cam 391 beaker, Fabric CB (80g). Part pot, reddish-brown colour-coat; most of pot but with one fitting detached sherd and a large section (sherd?) missing from one side, old break and the missing sherd(s) not recovered. Early/mid 2nd to the early 3rd century.

HF272: inhumation burial (H2)

Description: Inhumation burial HF272 was located within a grave measuring 2.28m by 0.65m and 0.40m deep, and aligned northwest to southeast. It cut pits containing pyre debris HF206 and HF220, and inhumation burial HF377.

Human bone: No human bone had survived.

Residual finds: Fifty-seven pottery sherds. Nineteen fragments of cremated human/probably human bone (13g) are likely to have come from pits HF206 and HF220 which were cut by this inhumation.

Date: Mid 2nd to the mid 3rd century (date based on residual pottery sherds)

HF273: inhumation burial (H2)

Description: Inhumation burial HF273 was located within a grave measuring 0.84m by 0.49m and 0.12m deep, and aligned just off north to south.

Human bone: No human bone had survived.

Date: Roman

HF274 (including HF243): inhumation burial (H2)

Description: Inhumation burial HF274 had been cut along one edge by inhumation burial HF246. It was located within a grave measuring 1.90m by 0.87m, and aligned northeast to southwest. It cuts inhumation burial HF342.

Human bone: No human bone had survived.

Residual finds: Thirty-six pottery sherds and one iron nail from HF274. A further six pottery sherds were from a surface pot scatter numbered HF243 but which is probably actually part of this feature.

Date: Roman

HF275: Inhumation burial (H2)

Description: Only part of inhumation burial HF275 was located inside the excavation area. It had also been largely cut away by inhumation burial HF183. The excavated feature measured 1.97m by 0.76m, and was aligned northeast to southwest.

Human bone: Two fragments of human bone were excavated weighing 23g. The individual was a juvenile of indeterminate sex.

Residual finds: Four pottery sherds and one iron nail.

Date: Mid 1st to the 2nd/3rd century (based on residual pottery sherds)

HF276: possible burial feature (H2)

Description: Only part of burial feature HF276 was located inside the excavation area. It had also been cut by inhumation burial HF183. The excavated feature measured 0.74m long and 0.16m deep.

Date: Roman

HF278: inhumation burial (H2)

Description: Inhumation burial HF278 was located within a grave measuring 1.94m by 0.52m and 0.24m deep, and aligned northwest to southeast with the head to the northwest.

Human bone: Forty-eight fragments of human bone were excavated weighing 217g. The individual was an adult of indeterminate age and sex.

Residual finds: Forty-eight pottery sherds, ten iron nails and a small fragment of a mirror (see Section 6.2, p73).

Date: Roman

HF281: pit containing pyre debris (H2)

Description: Only part of burial feature HF281 was located inside of the excavation area. The excavated section measured 0.51 by 0.40m and 0.27m deep, and had a charcoal rich fill. It is probably a pit containing pyre debris

Human bone: No human bone was recorded.

Residual finds: One pottery sherd and one iron nail.

Date: Roman

HF281.1 H(573). Pottery sherd. Fabric DJ (3g). Roman.

HF282: unurned cremation burial (H2) (Fig 38)

Description: Pit HF282 had been cut by inhumation HF155 and pit HF214. It was an oval feature, 0.42m by 0.22m and 0.14m deep, containing an unurned cremation burial. It cut enclosure ditch HF297.

Cremated human bone: Ten fragments of cremated human/probably human bone were excavated weighing 1g.

Burial goods: A small/miniature jar (HF282.1) had been placed in the pit.

Date: Early/mid 2nd to the mid/late 3rd century.

HF282.1 H(578). Fig 38. Cam 278 small/miniature jar, Fabric GB (69g). Much of body and profile complete, part missing with one large separate sherd from upper body, partly fresh breaks and probably whole when buried, acute lattice decoration. Early/mid 2nd to the mid/late 3rd century.

HF283: urned cremation burial (H2) (Fig 39)

Description: Pit HF283 was a round feature, 0.48m in diameter and 0.15m deep, containing a disturbed urned cremation burial.

Cremated human bone: Two hundred and thirty-one fragments of cremated human/probably human bone were excavated weighing 58g.

Burial goods: Sixteen surviving pottery sherds (HF283.1) were probably part of a cremation urn. Fragments of a burnt bone bead (or possibly two beads) (.2), a copper-alloy chain (.3), a copper-alloy strip (.4) and three burnt pellets of Egyptian blue frit (.5) were all found scattered among the pottery, suggesting the burial of a female. Three iron hobnails and twenty iron nails were also present.

Residual finds: Eighteen other pottery sherds.

Date: Roman.

HF283.1 H(575). Pottery sherds. Fabric GX (80g), all part of same vessel. Roman.

Comment on the burial goods

All the items in HF283 are burnt or scorched primary deposits, most of them dress accessories that would have been worn by the deceased on the pyre. The stylistic associations of an unusual bone gadrooned bead (Fig 39, HF283.2) from the burial rank it with glass and frit melon beads of the second half of the 1st or very early 2nd century, a date that matches that of a spirally gadrooned bead from Nida-Hedderheim, Germany (Obmann 1997, catalogue no. 1882, Taf. 45). One fragment of the bead was found with a copper-alloy chain (Fig 39, HF283.3), on which it may have been suspended. A fragment of a narrow copper-alloy strip is probably all that remains of a finger-ring (Fig 39, HF283.4), and some hobnails represent nailed footwear.

Also found in the same context as the bone bead and chain were three burnt pellets of Egyptian blue frit (Fig 39, HF283.5), one with cremated human bone attached. Nodules of Egyptian blue were ground up and used as a pigment in wall painting; first manufactured in Alexandria, by the 1st century BC there was a factory at Puteoli (Davidovits 2007; Ling 1991, 208-9). The context of the three pellets in HF283, a burial that otherwise contained only nails and dress accessories, raises the possibility that they may be burnt and collapsed frit melon beads, but comparison with a large group of burnt beads from a manufactory in the naval base at Cologne, Germany, does not support this suggestion. The Cologne deposit did contain several examples that had been so intensively burnt that they no longer bore any sign of gadroons on the surface, but all retained the central perforation (Höpken 2003, 359-60).

HF283.2 H(577)/(586), SF71/168. Fig 39. Fragments of a burnt bone gadrooned bead (or possibly two beads), similar to glass and frit melon beads. On each piece one end is wider than the other, but they are distorted by the heat. Diameter (distorted) 20-40mm, length 20mm. No exact parallel in bone is known for this item, but an unstratified 30mm diameter bone melon bead from Nida-Hedderheim, Germany, has spiralled gadroons (Obmann 1997, Taf. 45, 1882).

HF283.3 H(586), SF169. Fig 39. Fragments of a poorly-preserved (?burnt) copper-alloy chain with links formed by doubled-over strips pierced at each terminal to form wide holes, much like a folded elongated figure-of-eight. Link length 8mm, chain length >61mm.

HF283.4 H(580), SF72. Fig 39. Narrow copper-alloy rectangular-section strip fragment, probably from a finger-ring. Length 8mm, width 2mm, thickness <0.25mm.

HF283.5 H(586), SF189. Fig 39. Three burnt pellets of Egyptian blue frit. a) Maximum diameter 23mm; weight 4.51g. b) Damaged; maximum diameter 22mm; weight 2.76g. c) With human bone attached; maximum diameter 21mm; weight 4.12g.

HF283.6 H(581), SF74. Iron hobnail. Length 11mm. H(579). B) Cluster of three iron hobnails, lengths 23 and 20 (x 2) mm.

HF283.7 H(576). Twelve iron nails and shank fragments. Complete, lengths 65, 44 and 37mm; incomplete, lengths 26 (burnt), 20 (burnt), 17 and 15mm; shank fragments, lengths 38, 29, 26, 15 and 12mm. **H(579).** Five iron nails and shank fragments. A) Length 30mm. D) Shank fragment, length 23mm. E) Shank fragment, length 20mm. F) Length 36mm. G) Complete, length 47mm.

HF284: urned cremation burial (H2) (Fig 40)

Description: Pit HF284 had been cut by pit HF282. It was a round feature, 0.42m in diameter and 0.16m deep, containing a disturbed urned cremation burial. It cut enclosure ditch HF297.

Cremated human bone: One hundred and twenty-seven fragments of cremated human/ probably human bone were excavated weighing 186g.

Burial goods: A jar (HF284.1) had been used as a cremation urn and a flagon (.2) had been buried alongside.

Residual finds: Thirty-four pottery sherds were found scattered across the upper fills of cremation burials HF284 and HF285.

Date: Early/mid 2nd to the mid/late 3rd century.

HF284.1 H(591). Fig 40. Cam 268 jar, Fabric GX (332g). Broken and not complete, sherds from base, body and rim, some sooting around rim and on body sherds indicates probable earlier use as a domestic pot. Early/mid 2nd to the late 3rd/early 4th century.

HF284.2 H(590). Cam 156 flagon, Fabric DJ, presumed complete when buried, broken (382g). Early/mid 2nd to the early 3rd century.

HF285: urned cremation burial (H2) (Fig 40)

Description: Pit HF285 had been cut by pits HF219 and HF284. It was a round feature, 0.44m in diameter and 0.16m deep, containing a disturbed urned cremation burial. It cut enclosure ditch HF297.

Cremated human bone: Forty-six fragments of cremated human/probably human bone were excavated weighing 86g.

Burial goods: A jar (HF285.1) had been used as a cremation urn.

Residual finds: Thirty-four pottery sherds were found scattered across the upper fills of cremation burials HF284 and HF285.

Date: Early/mid 2nd to the late 3rd/early 4th century.

HF285.1 H(598). Cam 268 jar, Fabric GX, much of pot (280g), broken into sherds, much of rim and base missing, sooted or black stained exterior. Early/mid 2nd to the late 3rd/early 4th century.

HF286: possible burial feature (H2)

Description: Pit HF286 was a round feature 0.59m in diameter and 0.31m deep.

Cremated human bone: No human bone was recorded.

Burial goods/residual finds: Six joining pottery sherds from a jar (HF286.1) may have come from a disturbed burial vessel. Twelve other pottery sherds and one iron nail (.2) were also recorded.

Date: Early/mid 2nd to the mid/late 3rd century.

HF286.1 H(596). Cam 278 jar, Fabric GB, six sherds from rim & body (292g). Early/mid 2nd to the mid/late 3rd century.

HF286.2 H(596). Iron nail shank fragment, length 28mm

HF287: pit containing pyre debris (H1)

Description: Pit HF287 was an oval feature, 0.62m by 0.52m and 0.36m deep, containing pyre debris in the form of cremated human bone and charcoal scattered throughout.

Cremated human bone: Eighty-four fragments of cremated human bone were excavated weighing 34g.

Burial goods/residual finds: Twelve pottery sherds.

Date: Mid 1st to the 2nd/3rd century.

HF287.1 H(611). Pottery sherds. Fabric DJ, GX (64g). Mid 1st to the 2nd/3rd century.

HF288: inhumation burial (H1)

Description: Inhumation burial HF288 was located within a grave measuring 1.86m by 0.93m and 0.44m deep, and aligned north to south. It cut inhumation burial HF325.

Human bone: No human bone had survived.

Date: Roman

HF289: inhumation burial (H1)

Description: Inhumation burial HF289 was located within a grave measuring 2.00m by 0.61m and 0.19m deep, and aligned north to south. It cut inhumation burial HF303.

Human bone: No human bone had survived.

Date: Roman

HF295: urned cremation burial (H1) (Fig 41)

Description: Pit HF295 was a round feature, 0.30m in diameter and 0.13m deep, containing a disturbed urned cremation burial.

Cremated human bone: Three hundred and twenty-four fragments of cremated human bone were excavated weighing 394g. The individual was young but the age and sex could not be determined.

Burial goods: A jar (HF295.1) had been used as a cremation urn.

Date: Mid 2nd to the early 4th century.

HF295.1 H(601). Fig 41. Lower part of greyware jar, possibly a narrow necked jar, Fabric GX (517g). Mid 2nd to the early 4th century

HF299: pit containing pyre debris (H2)

Description: Pit HF299 was an oval feature, 0.66m by 0.54m and 0.17m deep, containing pyre debris in the form of cremated human bone and charcoal scattered throughout.

Cremated human bone: Thirty-seven fragments of cremated human/probably human bone were excavated weighing 39g.

Burial goods/residual finds: Twelve pottery sherds from the same vessel may have come from a burial pot. Four other pottery sherds were also recorded.

Date: Mid 1st to the 2nd/3rd century.

HF299.1 H(605). Pottery sherds. Fabric DJ, twelve sherds making up much of one pottery vessel (80g). Mid 1st to the 2nd/3rd century. Fabric GX (30g).

HF300: Inhumation burial (H2) (Fig 41)

Description: Only part of inhumation burial HF300 was located inside of the excavation area. The excavated grave measured 0.70m by 1.20m and 0.36m deep, and was probably aligned northeast to southwest.

Human bone: No human bone had survived.

Timber nails: Nineteen iron coffin nails show that the body had been buried within a timber coffin.

Burial goods: A beaker (HF300.1) had been placed at the southwest end of the grave. It had been placed next to a cluster of hobnails (.2) that show that the body was buried with/wearing nailed leather footwear. If it was buried wearing the footwear then the head had been buried to the northeast.

Residual finds: Thirty-one pottery sherds

Date: 2nd to the 3rd century.

HF300.1 H(619). Fig 41. Beaker with upright, slightly flaring profile and small everted rim, Fabric GP (179g). Complete, part of rim detached in three sherds, fine grey body with some pitting to surfaces and darker patches of 'firing' clouds, faint turning ridges visible in surface where abraded (for similar form see *CAR 10* Fabric GP Type 35, the earliest of which is from a context dated c 150-200 & Fabric UX fig 6.99, no. 26 from a post-Roman context). 2nd to the 3rd century

HF300.2 H(618), SF88a. Twenty-seven iron hobnails and hobnail fragments, many with mineral-preserved leather on the shank, longest 18mm. **H(619), SF161.** Five iron hobnails and hobnail fragments, longest 16mm.

HF302: inhumation burial (H2)

Description: Only part of inhumation burial HF302 was located inside of the excavation area. It had also been cut by inhumation burials HF210 and HF269. The excavated grave measured 1.07m by 1.63m and 0.55m deep, and was aligned southwest to northeast with the head to the southwest. It cuts inhumation burial HF339.

Human bone: One hundred and four fragments of human bone were excavated weighing 182g. The individual was an adult male.

Timber coffin: Nine iron coffin nails and some wood staining show that the body had been buried within a timber coffin measuring at least 0.55m wide. A small bracket (HF302.1) may be associated with the coffin.

Residual finds: Twenty-five pottery sherds and a fragment of septaria (136g)

Date: Late 1st to the 2nd century (residual pottery sherds)

HF302.1 H(627), SF91. Small right-angled bracket with a small stud fitted at the end of each arm. Traces of wood survive on the inner face. Arm lengths 37 and 39mm, width approx. 13mm.

HF303: inhumation burial (H1)

Description: Inhumation burial HF303 had been cut along one edge by inhumation burial HF289. It was located within a grave measuring 2.45m (possibly overdug at one end) by 0.74m, and aligned north to south with the head to the north.

Human bone: Sixty-seven fragments of human bone were excavated weighing 402g. The individual was an adult, 25-35 years old and was possibly female.

Residual finds: Seventeen pottery sherds and an iron nail.

Date: Late 2nd to the 3rd/4th century (based on residual pottery sherds)

HF307: urned cremation burial (H2) (Fig 42)

Description: Pit HF307 was an oval feature, 0.66m by 0.47m and 0.31m deep, containing an urned cremation burial.

Cremated human bone: One thousand five hundred and forty-six fragments of cremated human/probably human bone were excavated weighing 870g.

Burial goods: A jar (HF307.1) had been used as a cremation urn.

Residual finds: Eight pottery sherds.

Date: Early/mid 2nd to the mid 3rd century.

HF307.1 H(640). Fig 42. Cam 278 jar, Fabric GB (1016g). Whole pot, part of upper body and rim broken away and in sherds, acute lattice decoration, traces of white deposit, probably from a slip, on rim and shoulder with drip runs on the body exterior and interior. Early/mid 2nd to the mid 3rd century.

HF308: inhumation burial (H2)

Description: Inhumation burial HF308 was located within a grave measuring 1.21m by 0.74m and 0.28m deep, and aligned northeast to southwest. It cut inhumation burials HF340, HF345 and HF400.

Human bone: Fifteen fragments of human bone were excavated weighing 13g.

Residual finds: Twenty-seven pottery sherds and two iron nails.

Date: Mid 1st to the 2nd/3rd century (residual pottery sherds)

HF325: inhumation burial (H1)

Description: Inhumation burial HF325 had been cut across the upper fill by inhumation burial HF288. It was located within a grave measuring 1.84m by 0.58m and 0.43m deep, and aligned north to south.

Human bone: No human bone had survived.

Residual finds: Ten pottery sherds.

Date: Roman

HF337: inhumation burial (H1) (Fig 42)

Description: Inhumation burial HF337 was located within a grave measuring 2.66m by 1.00m and 0.30m deep, and aligned east to west.

Human bone: No human bone had survived.

Timber coffin: Eighteen iron coffin nails show that the body had been buried within a timber coffin measuring approximately 1.88m by 0.5m.

Burial goods: Three copper alloy coins (HF337.1-.3) had been placed at the east end of the coffin. The coins had been deliberately wrapped in textile as a pair and a single coin and the remains of the textile wrapping had survived (.4).

Residual finds: One pottery sherd and one fragment of Roman brick/tile (96g).

Date: Mid 2nd century +

HF337.1 H(672), SF86. Very worn copper-alloy 2nd-century *sestertius*, probably of Faustina II(?), AD 147-75. Obverse: legend missing, head right, detail worn and obscured by mineral-replaced textile. Reverse: worn smooth, partly covered by mineral-replaced organic material. Diameter 33mm; weight 21.78g.

HF337.2 H(673), SF85a. Worn as of Antoninus Pius, AD 138-61 (AD 142), *RIC* 678. Obverse: [ANTONI]NVS AVG PI-VS /-, radiate head right. Reverse partly obscured by mineral-preserved textile: legend missing [CONCORDIA EXERCITVVM S C], Concordia standing left holding Victory on right hand and legionary standard in left. Diameter 26mm; weight 12.20g.

HF337.3 H(673), SF85b. Very worn 2nd-century *as*. Obverse: legend missing, head right, features obscured by mineral-replaced textile. Reverse: worn smooth. Diameter 25mm; weight 9.12g.

HF337.4 H(673), SF85a&b. Mineralised textile mostly surviving as casts in the corrosion products of the two coins, found in flat patches on both outer faces and curving tightly around sides, largest area 17 x 7mm. The weave has a much higher count in one system than the other, 24/Z x 10/Z threads per cm, and the denser threads mostly cover the wide-spaced ones.

HF337.5 H(672), SF86. Mineralised textile mostly surviving as casts in the corrosion products but with some intact fibres still present. Found in flat patches on both faces and curving tightly around sides, largest area 26 x 33mm. The weave is as HF337.4, with a thread-count of 24-28/Z x 10/Z per cm.

HF338: possible burial feature (H2)

Description: Only part of burial feature HF338 was located inside the excavation area. It had also been cut by inhumation burial HF302. The excavated feature measured 0.73m by 0.27m.

Date: Roman

HF339: inhumation burial (H2)

Description: The upper fill of inhumation burial HF339 had been cut by inhumation burial HF210 and one corner had been cut through by inhumation burial HF302. It was located within a grave measuring 1.62m by 0.67m and 0.30m deep, and aligned north to south.

Human bone: No human bone had survived.

Residual finds: Three iron nails.

Date: Roman

HF340: inhumation burial (H2)

Description: Inhumation burial HF340 had been cut in half by inhumation burial HF308 and cut by urned cremation HF346. The surviving grave measured 1.00m by 0.75m and 0.30m deep, and was aligned northwest to southeast. It cut inhumation burials HF345 and HF353, and

Human bone: No human bone had survived.

Residual finds: Sixteen pottery sherds.

Date: Mid 2nd to the 3rd century (date based on residual pottery sherds)

HF341: inhumation burial (H2) (Fig 43)

Description: Inhumation burial HF341 was located within a grave measuring 1.30m by 0.42m and 0.2m deep, and aligned northeast to southwest with the head to the northeast. It cut inhumation burial HF343/HF344, and was cut by inhumation burials HF69 and HF70 and unurned cremation HF11.

Human bone: Seventy-seven fragments of human bone were excavated weighing 377g. The individual was an adult male possibly aged 20-25 years old.

Date: Roman

HF342: inhumation burial (H2)

Description: Inhumation burial HF342 was located within a grave measuring 0.78m by 0.38m and 0.10m deep, and aligned northwest to southeast. It was slightly cut along one edge by inhumation burial HF274.

Human bone: No human bone had survived.

Date: Roman

HF343 / HF344: inhumation burial (H2)

Description: Inhumation burial HF343/4 was cut in half by inhumation burial HF341 and cut at one end by inhumation burial HF245. It was located within a feature measuring 1.96m by 0.70m and 0.30m deep, and aligned north to south.

Human bone: No human bone had survived.

Date: Roman

HF345: inhumation burial (H2)

Description: Only part of inhumation burial HF345 was located inside of the excavation area. It had also been cut by inhumation burials HF308 and HF340. The excavated grave measured 0.71m by 0.60m and 0.39m deep, and was aligned northeast to southwest.

Human bone: Eight fragments of human bone were excavated weighing 22g. The individual was an adult.

Residual finds: Nineteen pottery sherds, one iron nail and a fragment from a copper-vessel (see Section 6.2, p73).

Date: Roman

HF346: urned cremation burial (H2)

Description: Pit HF346 was a round feature, 0.30m in diameter and 0.15m deep, containing an urned cremation burial. It cut inhumation burial HF340.

Cremated human bone: Five hundred and eighty-five fragments of cremated human/probably human bone were excavated weighing 762g.

Burial goods: A jar (HF346.1) had been used as a cremation urn.

Date: Mid 2nd to the 3rd century.

HF346.1 H(701). Cam 268 jar, fabric GX, broken complete(?) pot (1652g). Mid 2nd to the 3rd century.

HF347: inhumation burial (H2)

Description: Inhumation burial HF347 had been cut at one end by inhumation burial HF152. The surviving grave measured 1.05m by 0.43m and 0.21m deep, and was aligned northwest to southeast. It cut inhumation burial HF350.

Human bone: No human bone had survived.

Date: Roman

HF348: inhumation burial (H2)

Description: Inhumation burial HF348 had been cut through the middle by inhumation burial HF48. It was located within a grave measuring 1.50m by 0.64m and 0.18m deep, and was aligned north to south.

Human bone: No human bone had survived.

Date: Roman

HF350: inhumation burial (H2)

Description: Only part of inhumation burial HF350 was located inside of the excavation area. It had also been cut by inhumation burial HF347 and urned cremation HF159. The excavated grave measured 0.76m by 0.40m and 0.18m deep, and was aligned northeast to southwest.

Human bone: No human bone had survived.

Date: Roman

HF353: inhumation burial (H2) (Fig 43)

Description: One end of inhumation burial HF353 had been cut away by inhumation burial HF340. The surviving grave measured 1.90m by 0.82m and 0.26m deep, and was aligned northwest to southeast.

Human bone: No human bone had survived.

Burial goods: Two jars (HF353.1-.2) were found in fragments at the northwest end of the grave.

Residual finds: Twenty pottery sherds, four iron nails and a fragment of a mirror (see Section 6.2, p73).

Residual/Intrusive finds: A fragment of tile may either be peg-tile or thin Roman tile (126g).

Date: Mid/late 2nd to the mid 3rd century.

HF353.1-2 H(718). Fig 43. Sherds from two Cam 278 jars, Fabric KX (1006g). Mid/late 2nd to the mid 3rd century.

HF354: double urned cremation burial (H2) (Fig 44)

Description: Pit HF354 was an oval feature, 0.6m by 0.52m and 0.22m deep, containing a double urned cremation burial.

Cremated human bone: Five hundred and twenty-three fragments of cremated human bone were excavated weighing 755g. The jar contained an adult, possibly of mature age, and the bowl contained a child or adolescent.

Burial goods: A jar (HF354.1) and a bowl (.2) had both been used as cremation urns, the bowl placed upside down on top of the jar. An iron nail or other structural fitting (.4) was also found next to the jar.

Date: Mid 1st to the early 2nd century.

HF354.1 H(713). Fig 44. Cam 266 jar, Fabric GX (1652g). Complete pot, one side cracked post-deposition and now broken into sherds, not all of rim present, beaded, slightly squared-off rim, sandy fabric with reddish-brown to dark grey surfaces, light areas possibly resulting from some surface abrasion. Mid 1st to the early 2nd century.

HF354.2 H(714). Fig 44. Cam 218 bowl, Fabric GX (285g). Whole pot, fine grey fabric, small chip missing on edge of rim, appears to be old damage, is similar to ritual damage recorded on pots from other Roman burial sites but as a small chip may well be accidental damage. Mid 1st to the early 2nd century.

HF354.3 (H713b). Pottery sherd found inside HF354.1. Single abraded rim sherd from another vessel (bowl/jar), fabric GX (probably residual).

HF354.4 H(712), SF100. Curved shank from a large nail or other structural fitting. Length 110mm.

HF355: possible burial feature (H2)

Description: Possible burial feature HF355 had been cut by inhumation burial HF10, burial pits HF66 and HF354, and pit HF366. The remaining feature measured 1.06m by 0.69m and 0.23m deep.

Date: Roman

HF356: unurned cremation burial (H2)

Description: Pit HF356 was a round feature, 0.61m in diameter and 0.44m deep, containing a disturbed unurned cremation burial. It cut inhumation burial HF341.

Cremated human bone: Sixty-four fragments of cremated human/probably human bone were excavated weighing 27g.

Burial goods/residual finds: Fifty-seven pottery sherds from a broken flagon may be from a burial pot. A further twenty-two pottery sherds, nine iron nails (one burnt) and two fragments of burnt flint (402g) were also identified.

Date: Mid 1st to the early 2nd century.

HF356.1 H(716). Pottery sherds. Fabric DJ, Cam 154/155, part pot, broken (177g). Fabric FJ, DJ, GX (78g). Mid 1st to the early 2nd century.

HF356.2 H(717), SF 90. Burnt iron nail, length 40mm.

HF357: inhumation burial (H2)

Description: Most of inhumation burial HF357 had been cut away by inhumation burial HF10. The excavated grave measured 1.67m by 0.56m and 0.23m deep, and was aligned east to west.

Human bone: No human bone had survived.

Date: Roman

HF358: urned cremation burial (H2)

Description: Pit HF358 was a round feature, 0.24m in diameter and 0.09m deep, containing a disturbed urned cremation burial.

Cremated human bone: One hundred and ninety-eight fragments of cremated human/probably human bone were excavated weighing 147g.

Burial goods: A bowl (HF358.1) had been used as a cremation urn.

Date: Mid/late 2nd to the mid/late 3rd century.

HF358.1 H(-). Complete lower part of a bowl, Fabric GB, broken, rim missing (376g). Mid/late 2nd to the mid/late 3rd century.

HF362/HF363: possible burial feature (H2)

Description: Only part of burial feature HF362/3 was located inside of the excavation area. It had also been cut by pit HF361. The excavated feature measured 1.23m by 0.51m and 0.20m deep.

Finds: One pottery sherd.

Date: Roman

HF364: inhumation burial (H2)

Description: Inhumation burial HF364 had been cut away at one end by inhumation burials HF69 and HF70, it was also cut across the upper fill by inhumation burial HF58 and unurned cremation HF356. The surviving grave measured 1.28m by 0.68m and 0.48m deep, and was aligned northwest to southeast.

Human bone: No human bone had survived.

Residual finds: Two pottery sherds.

Date: Roman

HF365: possible burial feature (H2)

Description: Possible burial feature HF365 had been cut by inhumation burials HF343/4 and HF364. The excavated feature was roughly oval and measured 0.57m in diameter and 0.36m deep.

Date: Roman

HF372: pit containing pyre debris (H2)

Description: Pit HF372 was an oval feature measuring 0.51m by 0.39m and 0.16m deep, containing charcoal from pyre debris scattered throughout.

Cremated human bone: No human bone was recorded.

Burial goods/residual finds: Two pottery sherds, one iron hobnail and one piece of burnt flint (23g).

Date: Roman.

HF372.1 H(729). Pottery sherds. Fabric DJ (15g). Roman.

HF372.2 H(729). Iron hobnail, length 21mm.

HF377: inhumation burial (H2)

Description: Inhumation burial HF377 had been cut at one end by pit containing pyre debris HF220 and inhumation burial HF272. The surviving grave measured 1.54m by 0.68m and 0.27m deep, and was aligned northeast to southwest.

Human bone: No human bone had survived.

Residual finds: Three pottery sherds.

Intrusive finds: Five fragments of cremated human/probably human bone (2g) was probably from burial pit containing pyre debris HF220.

Date: Roman

HF378: possible burial feature (H2)

Description: Most of burial feature HF378 had been cut through by an earlier evaluation trench. The excavated feature measured 1.03m by 0.88m and 0.17m deep.

Date: Roman?

HF379: pit containing pyre debris (H2)

Description: Only part of pit HF379 was located inside of the excavation area. The excavated feature measured 1.04m by 0.46m and 0.19m deep, and contained pyre debris in the form of cremated human bone and charcoal scattered throughout.

Cremated human bone: Thirty-seven fragments of cremated human/probably human bone were excavated weighing 39g.

Burial goods/residual finds: Twenty-seven pottery sherds, eight iron nails, one iron hobnail and one piece of burnt flint (6g).

Date: Mid 1st to the 2nd/3rd century.

HF379.1 H(736, 737). Pottery sherds. Fabrics DJ flagons, GX (198g). Mid 1st to the 2nd/3rd century.

HF379.2 H(734). Four iron nails. a) **SF94.** Length 48 mm. b) **SF95.** Clenched, length (bent) 46 mm. c) **SF96.** Length 51 mm. d) **SF97.** Shank fragment, length 36 mm.

HF379.3 H(734). Four iron nails and shank fragments. A) Length 35mm. C) Complete, length 24mm. D) Shank fragment, length 23mm. H) Complete, length 41mm.

HF379.4 H(736). Iron hobnail, length 15mm.

HF380: unurned cremation burial (H1)

Description: Pit HF380 was a round feature, 0.60m in diameter and 0.21m deep, containing an unurned cremation

Cremated human bone: Three fragments of cremated human/probably human bone were excavated weighing 4g.

Burial goods: A silver coin (HF380.1) had been placed in the burial pit as a secondary deposit.

Residual finds: One pottery sherd.

Date: Mid 3rd century +.

HF380.1 H(645), SF84. Silver *denarius* of Severus Alexander, AD 233-5, *RIC* 160. Obverse: [IMP] C M AVR SEV AL[EXAND] AVG, emperor laureate, draped, bust right. Reverse: MARTI PA-CIFERO, Mars standing front, head left, holding branch in right hand, spear in left. Diameter 19mm; weight 2.3g. Showing no sign of burning or scorching, this is a secondary deposit.

HF381: inhumation burial (H1)

Description: Inhumation burial HF381 had been cut at one end by inhumation burial HF288. It was located within a grave measuring 2.10m by 0.60m, and aligned north to south.

Human bone: No human bone had survived.

Residual finds: One pottery sherd and three iron nails.

Date: Roman

HF382: urned cremation burial (H1) (Photograph 10, Fig 45)

Description: Pit HF382 was a round feature, 0.65m in diameter and 0.25m deep, containing an urned cremation burial.

Cremated human bone: One thousand and forty fragments of cremated human bone were excavated weighing 1210g. The individual was a male young adult.

Burial goods/residual finds: A jar (HF382.1) had been used as a cremation urn and buried alongside another jar (.2), a beaker (.3) and possibly part of another pot (.4). Pottery sherds and a small fragment of Roman tile were found inside the urn.

Date: Mid/late 3rd to 4th century.

HF382.1 H(651). Fig 45. Large jar, Fabric GX, near complete (2130g). Rim missing, base and half of body as one large piece, other part of body in sherds resulting from pressure cracking in ground. Unusual decoration consisting of five burnished spiral circular motifs spaced around upper body. A pot with similar, but much larger circular spiral motifs comes from the 'Mithraeum' deposit dated to the (early-mid?) 4th century (Hull 1958, fig 65 no. 64) but which contains much residual pottery.

HF382.2 H(651) Cam 279C jar, Fabric GA (867g). Whole pot decorated with obtuse burnished lattice in band around body, cracks opening in body on one side, sherd missing from rim, appears to be old damage, similar to ritual damage recorded pots from other Roman burial sites. Mid/late 3rd to the 4th century.

HF382.3 H(649). Fig 45. Beaker, Fabric CL(NF), red fabric with grey core in body sherds (51g). Part pot, probably a Trier product. 3rd century.

HF382.4 H(650). Pottery sherds. Fabric GX, part pot, base and joining lower wall sherds (205g).

HF382.5 H(651) Pottery sherds from inside HF382.1 (Spit 1). Fabric GB (3 sherds 52g), base of bowl; Fabric GX (7 sherds, 15g) includes base of bowl with chamfer and jar/bowl rim. Tile from inside HF382.1 (Spit 6), one piece at 2g, Roman.

HF383: inhumation burial (H1)

Description: Inhumation burial HF383 had been cut along most of its length by a modern service trench. The surviving feature was difficult to define but appears to have measured 1.90m by 1.02m and 0.22m deep, and was aligned north to south.

Human bone: No human bone had survived.

Residual finds: Four pottery sherds, one iron nail and a fragment of Roman brick/tile (4g).

Date: Roman

HF386: inhumation burial (H1) (Fig 46)

Description: Inhumation burial HF386 was located within a grave measuring 2.1m by 0.62m and 0.7m deep, aligned north to south with the head to the north.

Human bone: Twenty-eight fragments of human bone were excavated weighing 42g.

Timber coffin: Five iron coffin nails may represent the remains of a timber coffin.

Burial goods: A flagon (HF386.1) had been placed at the north end of the grave.

Residual finds: One pottery sherd.

Date: Mid 1st to the 2nd/3rd century

HF386.1 H(654). Fig 46. Flagon with flanged, short collar (pulley-wheel) rim, Fabric DJ (368g). Whole pot, two rib handle, small chip to top of rim, appears probably to be accidental damage. Mid 1st to the 2nd/3rd century.

HF388: urned cremation burial (H1)

Description: Pit HF388 was an oval feature, 0.35m by 0.25m, containing a disturbed urned cremation burial.

Cremated human bone: One hundred and forty-seven fragments of cremated human/probably human bone were excavated weighing 139g.

Burial goods: A jar (HF388.1) had been used as a cremation urn.

Date: Roman.

HF388.1 H(667). Jar, Fabric GX, part pot, complete base and joining sherds from lower wall (392g). Roman.

HF389: urned cremation burial (H1)

Description: Pit HF389 was an oval feature, 0.35m by 0.30m, containing a disturbed urned cremation burial.

Cremated human bone: One hundred and sixteen fragments of cremated human/probably human bone were excavated weighing 134g.

Burial goods: A jar (HF389.1) had been used as a cremation urn and buried alongside a heat affected/burnt dish (.2). Two iron nails were also present.

Date: Mid 2nd to the 4th century.

HF389.1 H(669). Jar, Fabric GX, base and lower wall, broken into sherds (738g). Roman.

HF389.2 H(669). Cam 39 dish, Fabric GA, part pot, much of base and part of wall, broken (152g), rim sherds possibly heat affected/burnt. Mid 2nd to the 4th century.

HF389.3 H(671). Two incomplete iron nails, lengths 43 and 38mm.

HF390: urned cremation burial (H1)

Description: Pit HF390 was a round feature, 0.25m in diameter, containing a disturbed urned cremation burial.

Cremated human bone: Sixty-two fragments of cremated human/probably human bone were excavated weighing 73g.

Burial goods: A jar (HF390.1) had been used as a cremation urn.

Residual finds: One fragment of Roman brick/tile (113g).

Date: Roman.

HF390.1 H(674). Lower part of jar, Fabric GX(BSW), broken into sherds (464g).

HF391: urned cremation burial (H1) (Fig 46)

Description: Pit HF391 was a round feature, 0.35m in diameter and 0.09m deep, containing a disturbed urned cremation burial.

Cremated human bone: One hundred and forty-one fragments of cremated human/probably human bone were excavated weighing 842g.

Burial goods: A jar (HF391.1) had been used as a cremation urn.

Date: 3rd century.

HF391.1 H(676). Fig 46. Large jar, Fabric GX (1519g). Near complete, part of rim missing, whole when buried, recently broken into many sherds, bulge-cordoned on shoulder, two bands of fine comb wavy line around upper body. Similar to H(104, unstratified) and similar in many respects to CAR 10 fig 6.79 708 (3rd century).

HF392: inhumation burial (H1)

Description: Inhumation burial HF392 was located within a grave measuring 2.02m by 1.18m and 0.27m deep, and was aligned east to west.

Human bone: No human bone had survived.

Residual finds: Seven pottery sherds, a fragment of a ceramic lamp, three iron nails and three fragments of Roman brick/tile (212g).

Date: Mid 1st to the 2nd/3rd century (date based on residual finds).

HF393: inhumation burial (H1) (Fig 47)

Description: One end of inhumation burial HF393 had been cut away by inhumation burial HF392. The surviving grave measured 1.45m by 0.70m and 0.32m deep, and was aligned north to south. This was partially excavated as F15 during the 2007 evaluation.

Human bone: No human bone had survived.

Burial goods: A bowl (HF393.1) had been placed at the south end of the grave and a beaker (.2) in the middle. Two nails were also identified during the evaluation.

Residual finds: Ten tiny fragments of cremated human/probably human bone (1g).

Date: Mid/late 3rd to the 4th century.

HF393.1 H(687). Fig 47. Cam 305 bowl, Fabric GB, (817g). Whole pot with small sherd missing from rim and some chipping to rim, open crack from rim to base on one side. Mid/late 3rd to the 4th century.

HF393.2 H(686). Fig 47. Beaker, Fabric GB, with expanding, folded body, tall, upright (slightly flaring) rim and pedestal base, approximates to form Cam 407 (287g). Whole pot, grey surfaces with traces of original darker surface coat? on body, shoulder, rim and lower body burnished, several small chips to rim and one large piece of rim missing, appears to be old damage, similar to ritual damage recorded pots from other Roman burial sites. 3rd century?

HF394: inhumation burial (H1) (Fig 48)

Description: Inhumation burial HF394 was located within a grave measuring 2.3m by 0.97m and 0.43m deep, and aligned north to south.

Burial markers: Two possible burial markers, HF423 and HF428, were located at the north end of the grave, which was possibly the head end of the burial.

Human bone: No human bone had survived.

Timber coffin: Ten iron coffin nails, mainly clustered around two of the four corners of the grave, show that the body may have been buried within a timber coffin measuring approximately 1.94m by 0.58m.

Burial goods: A copper alloy mirror (HF394.1) had been placed in the centre of the burial. Seventeen iron hobnails (.2) at the south end of the burial show that the body had been with/wearing nailed leather footwear. If it was buried wearing the footwear then the head had been buried to the north.

Residual finds: Five fragments of Roman brick/tile and imbrex (1578g) and one tessera cube (32g).

Date: 3rd century.

HF394.1 H(681), SF89. Fig 48. Incomplete and fragmented high-tin bronze (speculum) round mirror of Lloyd-Morgan's Group Xc, with plain polished reflective surface, decorated back with slightly thickened bevelled rim emphasised by a concentric groove, and the scar from one end of the rear-loop handle. The part of the disc that would have shown the scar from the other end of the handle is missing. The decoration on the back consists of a incised geometric flower with alternate plain and grooved angular petals around a ring-and-dot and within a roundel of concentric circles; eight ring-and-dots lie on the edge of the roundel within the angle formed by each pair of petals. Diameter 99mm, 1mm thick at rim. Lay scattered near the centre of HF394, approximately in the area of the chest and pelvis. With no other evidence for the deliberate mutilation of grave goods in this area of the cemetery and at this period, it may have been placed on the coffin lid and shattered when the wood collapsed. Of 3rd-century date, it was probably made at Nijmegen (Lloyd-Morgan 1981, 95).

HF394.2 H(683), SF87. Sixteen iron hobnails and hobnail fragments, longest 16mm.

HF396: inhumation burial (H1)

Description: Inhumation burial HF396 was located within a grave measuring 2.80m by 0.99m and 0.71m deep, and aligned north to south. It cut through one corner of inhumation burial HF548.

Human bone: No human bone had survived.

Timber coffin: Eighteen iron coffin nails show that the body had been buried within a coffin measuring at least 2.25m by 0.60m.

Date: Roman.

HF397: inhumation burial (H1)

Description: Inhumation burial HF397 was located within a grave measuring 1.76m by 1.80m and 0.29m deep, and was aligned east to west. It cut inhumation burial HF464.

Human bone: No human bone had survived.

Residual finds: Nine pottery sherds, fourteen fragments of Roman brick/tile and imbrex (including a floor brick) (2266g) and four fragments of septaria (90g).

Date: Roman.

HF400: inhumation burial (H2)

Description: Inhumation burial HF400 was located within a grave measuring 1.90m by 0.67m and 0.57m deep, and aligned northwest to southeast. It was cut by inhumation burial HF308 and cut burial pit containing pyre debris HF407.

Human bone: No human bone had survived.

Residual finds: Thirteen pottery sherds, four iron nails and one piece of burnt flint (9g).

Date: Roman.

HF401: pit containing pyre debris (H2)

Description: Only part of pit HF401 was located inside of the excavation area. It had also been cut by pit HF379. The excavated feature measured 0.76m by 0.55m and 0.08m deep, and contained pyre debris in the form of cremated human bone and charcoal scattered throughout.

Cremated human bone: Fifty fragments of cremated human/probably human bone were excavated weighing 49g.

Burial goods/residual finds: Fourteen pottery sherds.

Date: Mid 1st to the 2nd/3rd century

HF401.1 H(740, 743). Pottery sherds. Fabrics DJ, GX including Cam 218 (86g). Mid 1st to the 2nd/3rd century.

HF407: pit containing pyre debris (H2)

Description: Only part of pit HF407 was located inside of the excavation area. It had also been cut by inhumation burial HF400. The excavated feature measured 0.93m by 0.77m and 0.22-0.35m deep and contained pyre debris in the form of cremated human bone and charcoal scattered throughout.

Cremated human bone: Thirty-seven fragments of cremated human/probably human bone were excavated weighing 69g.

Environmental remains: Environmental remains included wheat grains and a number of small legumes probably from the use of dried herbage as tinder, kindling or fuel within the pyres.

Burial goods/residual finds: Forty pottery sherds, one iron nail and two pieces of burnt flint (57g).

Intrusive finds: Two fragments of peg tile (42g).

Date: Roman.

HF407.1 H(752). Pottery sherds. Fabric DJ, HZ, GX (811g). Roman.

HF408a: unurned cremation burial (H1)

Description: Pit HF408a was located within an oval feature, 0.56m by 0.41m and 0.27m deep, containing an unurned cremation burial.

Cremated human bone: Two hundred and sixty-three fragments of cremated human bone were excavated weighing 104g.

Residual finds: Four iron nails.
Date: Roman.

HF408b: inhumation burial (H1)

Description: Inhumation burial HF408b was located within a grave measuring 1.07m by 0.70m and 0.27m deep, and aligned north to south.

Human bone: No human bone had survived.

Timber coffin: Seven iron coffin nails show that the body had been buried within a tiny coffin measuring approximately 0.55m by 0.35m, suggesting that this was the grave of a baby.

Date: Roman.

HF420: urned cremation burial (H1)

Description: Pit HF420 was a round feature, 0.28m in diameter and 0.15m deep, containing a disturbed urned cremation burial. It cut the fill of boundary ditch HF399.

Cremated human bone: Twenty-three fragments of cremated human/probably human bone were excavated weighing 8g.

Burial goods: A jar (HF420.1) had been used as a cremation urn.

Residual finds: Two pottery sherds.

Date: Mid 1st to the 2nd/3rd century.

HF420.1 H(762). Cam 271(?) jar, Fabric GX(BSW) (610g). Base & body, distinctly micaceous fabric, multiple grooves round shoulder. Mid 1st to the 2nd/3rd century.

HF429: urned cremation burial (H1)

Description: Pit HF429 was an oval feature, 0.54m by 0.50m and 0.19m deep, and contained a disturbed urned cremation burial. It cut the fill of boundary ditch HF399.

Cremated human bone: No human bone had survived.

Burial goods: A jar (HF429.1) had been used as a cremation urn. A lump of iron may possibly be a nail or a cluster of hobnails (.2).

Residual finds: One pottery sherd.

Date: Roman.

HF429.1 H(764). Jar, Fabric GX, intact base of pot with part of lower wall, two other loose sherds (210g).

HF429.2 H(768). Amorphous iron lump, 35 by 33 by 27mm.

HF452: inhumation burial (H1)

Description: One end of inhumation burial HF452 had been cut by a modern service trench. The surviving grave measured 1.10m by 0.60m and 0.32m deep, and was aligned slightly-off east to west. This was partially excavated as F13 during the 2007 evaluation.

Human bone: No human bone had survived.

Burial goods: Two clusters of iron hobnails (HF452.1) show that the body had been buried with, but not wearing, nailed leather footwear.

Date: Roman.

HF452.1 H(772), SF104. Forty-nine iron hobnails and hobnail fragments, longest 13mm. **H(773), SF105.** Nine iron hobnails and hobnail fragments, longest 11mm. The two groups lay aligned with each other across its width and a short distance apart. The footwear they represent is unlikely to have been worn at the time of burial. The nailing pattern of the larger group shows a line of hobnails around the edge of the soil, two central rows at the heel, and other nails at the waist but none at the tread or toe.

HF460: inhumation burial (H1)

Description: Inhumation burial HF460 was located within a grave measuring 1.70m by 0.59m and 0.42m deep, and aligned northwest to southeast.

Human bone: Twenty-eight fragments of human bone were excavated weighing 63g.

Residual finds: One pottery sherd and two iron nails.

Date: Roman.

HF464: inhumation burial (H1)

Description: Inhumation burial HF464 had been cut by inhumation burial HF397. It was located within a grave measuring 2.17m by 1.06m, and aligned slightly off east to west.

Human bone: No human bone had survived.

Burial goods: A cluster of iron hobnails (HF464.1) show that the body was buried with/wearing nailed leather footwear.

Residual finds: Thirty-four pottery sherds and three iron nails.

Intrusive finds (from backfilling during the evaluation trenching): Fifty-three fragments of Roman ceramic building material (6489g) including dog and hobnail impressions, two fragments of septaria (155g), one fragment of worked stone and one fragment of post-medieval/modern tile (279g) possibly from a chimney.

Date: Roman

HF464.1 H(826), SF142. Thirty-six iron hobnails and hobnail fragments, longest 17mm. **H(827), SF137.** Thirty-four iron hobnails and hobnail fragments, longest 17mm. **H(789), SF140.** Eight iron hobnails and hobnail fragments, longest 12mm. Two sets of hobnails lay side by side towards the eastern end of the grave pit. Both had a line of hobnails around the edge of the sole, with others curving across it.

HF465: urned cremation burial (H1) (Photograph 9)

Description: Pit HF465 was a round feature, 0.30m in diameter and 0.14m deep, containing a disturbed urned cremation burial. It cut inhumation burial HF556.

Cremated human bone: Five hundred and sixty fragments of cremated human/probably human bone were excavated weighing 888g.

Burial goods: A jar (HF465.1) had been used as a cremation urn with several other jar sherds (HF465.2) possibly representing part of another burial vessel.

Residual finds: Pottery sherd and one iron nail.

Date: Roman.

HF465.1 H(781). Large jar, Fabric GX, lower half of vessel only (1087g). Roman.

HF465.2 H(780). Greyware jar sherds, Fabric GX (447g), one with stab decoration around shoulder; possibly part of a cremation pot.

HF466: urned cremation burial (H1)

Description: Pit HF466 was a round feature, 0.22m in diameter and 0.16m deep, containing a disturbed urned cremation burial.

Cremated human bone: Two hundred and ninety-two fragments of cremated human/probably human bone were excavated weighing 183g.

Burial goods: A jar (HF466.1) had been used as a cremation urn.

Residual finds: Seven pottery sherds.

Date: Roman.

HF466.1 H(782). Base of a large jar, Fabric GX (370g). Roman.

HF468: double inhumation burial (H1) (Fig 49)

Description: Inhumation burial HF468 was located within a grave measuring 1.9m by 0.64m and 0.38m deep, and aligned north to south. It is possible that this is a double burial consisting of a child in a coffin with an older child/adult alongside (see below).

Burial marker: Possible burial marker HF467 was located at the south end of the grave.

Human bone: No human bone had survived.

Body 1

Timber coffin: Nine iron coffin nails in the southwest corner of the grave show that the body of a child had probably been buried within a timber coffin.

Burial goods: A jet pendant of Medusa (HF468.1) had been buried in the grave with seven copper alloy armlets (.2-.8) in two clusters. The position of these goods suggests that the pendant had been worn around the neck with the armlets on each arm. Therefore, the child would have been buried with its head to the south.

Body 2

Burial goods: A fragment of a copper-alloy armlet (.9) from an adult or older child was found on the eastern side of the grave.

Residual finds: One pottery sherd and two fragments of Roman brick/tile (170g).

Date: Late 3rd to the mid 4th century.

Comment on the burial goods

Although no bone remained, the small diameter of seven copper-alloy armlets show that this was the burial of a child. It may be one of two burials in the grave pit, and is defined in Table 2 above as HF468(1). Two groups of armlets, one of four and one of three, lay a short distance apart near the southern end of the grave, with an amuletic jet pendant between them and slightly further south, as if defining a child's body, head to the south, with bracelets on each arm and a pendant on the breast. Most of the surviving coffin nails define much the same area rather than follow the outline of the grave pit, which is much larger than necessary to accommodate a body and coffin of the size suggested by the jewellery or nails.

The pendant shows the head of Medusa in relief (Fig 49, HF468.1). The type is not numerous and has recently been discussed by Eckardt (2014, 112-15). Only twenty-one have been recorded so far, all from Britain, the Rhineland or northern Gaul and most are grave finds, although few are well-dated (*ibid.*, appendix 6). They fall into two broad groups, those with snakes within the hair and those with snakes beyond it, as here, but no two individual pendants are alike and the carving varies from good to crude (*ibid.*, 114-15). The earliest example is probably that found in a burnt horizon dated to the mid 3rd century at Tournai, Belgium (Amand 1952), but British examples generally belong within the late 3rd to about the mid 4th century (Eckardt 2014, appendix 6).

The image of Medusa is apotropaic, used in funerary contexts to guard the deceased in the afterlife, and is reinforced by the use of jet, an electrostatic material much used in funerary suites of jewellery in the later 3rd and 4th century (Crummy 2010). The snake imagery around her head is repeated on two of the armlets in HF468 (Fig 49, HF468.2-3), although here as benign rather than malevolent creatures, and snake jewellery was popular for so many centuries that it may have ceased to have any real symbolic impact (Johns 1997, 35). These armlets were in the same group, along with a plain penannular armlet (Fig 49, HF468.4) and a very fragmentary fourth armlet consisting of decorated copper-alloy sheet wrapped around the outer face of a wooden form (Fig 49, HF468.5). A second armlet of this type from which no wood survived (Fig 49, HF468.6) was in the group of three. The technique of wrapping thin metal sheet around a pliable wooden core is long-lived. It was used in the Celtic world for the manufacture of Iron Age torcs in Gaul and for a large armlet from the conquest-period Warrior's burial at Stanway (Déchelette 1914, 1211-12, fig. 515, 1; Crummy *et al.* 2007, 178, fig. 84), and in the Classical world gold jewellery was often worked around an organic core, not only reducing the weight of large pieces but also the quantity of gold needed and thus the price of the item (D'Ambrosio 2001, 60, no. 37, 61, no. 41); a pair of snake armlets found in the bag of a woman who died at Herculaneum during the eruption of Vesuvius are, like those from HF468, of C-shaped section (Roberts 2013, fig. 377). Closer in date to HF468 is a tubular bracelet still retaining part of a thin hazel branch inside from a 4th-7th century child's grave at Cannington, Somerset (Rahtz *et al.* 2000, 355, fig. 239). One of the other two armlets in this group was plain and penannular (Fig 49, HF468.8), the other had a damaged hook and eye terminal and was decorated on the outer face by a bead-imitative design (Fig 49, HF468.7). The metal on the damaged terminal had been worked smooth before burial.

A fragment of another copper-alloy armlet came from the eastern side of the grave pit, beyond the line of coffin nails framing the other grave goods (Fig 49, HF468.9). Although only a fragment, it may represent a second burial in the pit, as it is made from such thin metal that the missing part may have been completely eaten away by corrosion. In Table 2 above, this armlet is defined as HF468(2). Its diameter is appropriate for an adult or older child.

HF468.1 H(793), SF108. Fig 49. Jet pendant with a head of Medusa carved in relief and a large flat-topped transverse suspension tube. The Gorgon's hair is shown neatly dressed, with two snakes set below her chin and one on each side of the head rather than as part of the coiffure, and there is a wing above and to each side of the head. The reverse is plain and well-polished. Length 50mm, width 44mm, maximum thickness 10mm.

HF468.2 H(788Ai), SF115a. Fig 49. Ovoid penannular copper-alloy square- to rectangular-section snake armlet. The centre of the hoop is plain. Each snake's head terminal is marked initially with a cross, then by scales flanking a central scaled ridge that terminates in a shallow depression. Depressions also form the eyes, and a groove on each side of the ridged snout marks the slightly open jaws. One terminal is less clearly marked than the other. External diameter 36-42mm, internal diameter 30-35mm, height 2.5-6mm, thickness 2-3mm.

HF468.3 H(788Aii), SF115b. Fig 49. Copper-alloy armlet as HF468.2, again with one terminal less clearly marked. External diameter 34-43mm, internal diameter 28-36mm, height 2.5-6mm, thickness 2-3mm.

HF468.4 H(788B), SF116. Fig 49. Almost circular copper-alloy plain penannular ovoid-section armlet. External diameter 39-40mm, internal diameter 33-35mm, height 3mm, thickness 2mm.

HF468.5 H(788C), SF117. Fragmentary penannular wooden form and C-section copper-alloy decorated sheath from the outer face as HF468.6 below. Dimensions if complete as HF468.6.

HF468.6 H(792), SF118a. Fig 49. Ovoid copper-alloy penannular C-shaped section bracelet sheath, made by shaping the metal over a wooden form, now missing (see HF468.5 above). The outer face bears elongated lozenges

of pairs of incised grooves, and there is a group of incised transverse grooves on each terminal. Both terminals are damaged. External diameter 42-50mm, internal diameter 32-40mm, height 10mm, width across section 4-6mm.

HF468.7 H(792), SF118b. Fig 49. Ovoid copper-alloy rectangular-section bracelet, with a hook-and-eye terminal now missing the hook; the metal where it has broken off has been worked smooth. The outer edge is bead-imitative, with long biconical beads separated by two small spacer beads. External diameter 40.5-47mm, internal diameter 32-38mm, height 1.5mm, maximum thickness 3mm.

HF468.8 H(792), SF118c. Fig 49. Almost circular copper-alloy plain penannular ovoid-section bracelet, tapering to the terminals. External diameter 39-41mm; internal diameter 35-37mm, height 1.5-2.5mm, thickness 1-2mm.

HF468.9 H(795), SF111. Fig 49. Fragments from a plain copper-alloy ovoid-section bracelet, the surface discoloured by contact with iron. External diameter approx. 50mm, height 1.5mm, thickness 1mm.

From the evaluation phase (then numbered HF14).

HF468.10 H(3), SF1. Fragment of an early-mid Roman box-ring with faceted section. Diameter 37mm, section diameter 3mm.

HF469: inhumation burial (H1)

Description: One end of inhumation burial HF469 had been cut by a modern service trench. The surviving grave measured 1.65m by 1.69m and 0.42m deep, and was aligned west to east with the head to the west.

Human bone: Eight fragments of human bone were excavated weighing 53g.

Timber coffin: Fourteen iron coffin nails might show that the body had been buried within a timber coffin.

Burial goods: A cluster of iron hobnails (HF469.1) at the eastern end show that the body had been buried wearing nailed leather footwear.

Residual finds: One pottery sherd.

Date: Roman.

HF469.1 H(839), SF138. Thirty iron hobnails and hobnail fragments, some with the heads corroded together and most with traces of mineral-preserved leather, longest 17mm. From leather footwear worn at the time of burial.

HF472: possible burial feature (H1)

Description: Possible burial feature HF472 had been mostly cut away by a modern service trench. The surviving feature measured 1.13m by 0.71m and 0.27m deep.

Date: Roman.

HF473: inhumation burial (H1) (Fig 50)

Description: Inhumation burial HF473 had been mostly cut away by a modern service trench and had been cut through the upper fill by inhumation burial HF383. The surviving grave measured 1.2m by 0.627m and 0.64m deep. It was not possible to tell which way the grave had been aligned.

Human bone: No human bone had survived.

Timber coffin: Nine iron coffin nails would suggest that the body had been buried within a timber coffin.

Burial goods: A flagon (HF473.1) and beaker (.2) had been placed along the south edge of the coffin.

Date: Late 2nd to the mid 3rd century.

HF473.1 H(924). Fig 50. Cam 156B cup mouth flagon, Fabric DJ (797g). Whole pot, ovoid body, three rib handle. Approximately one third of the rim is missing, which appears to be old damage and is similar to ritual damage recorded on pots from other Roman burial sites. Early 2nd to the early 3rd century.

HF473.2 H(925). Fig 50. Cam 406 folded beaker, Fabric CZ, (92g). Whole pot, reddish-brown colour coat abraded over most of body, very small chip missing from rim which is probably old damage from use. Late 2nd to the mid 3rd century.

HF474: inhumation burial (H1)

Description: Inhumation burial HF474 was located within a grave measuring 1.90m by 0.70m and 0.29m deep, and aligned northeast to southwest. It cut inhumation burials HF590 and HF656 and sealed inhumation burials HF659 and HF666.

Human bone: No human bone had survived.

Residual find: Six pottery sherds.

Date: Roman.

HF475: inhumation burial (H2)

Description: Only part of inhumation burial HF475 was located inside of the excavation area. The excavated grave measured 1.24m by 0.72m and 0.30m deep, and was aligned slightly off east to west. It cut inhumation burial HF476.

Human bone: No human bone had survived.

Timber coffin: Ten iron coffin nails show that the body had been buried within a timber coffin.

Burial goods: A broken flagon (HF475.1) may be a disturbed burial pot.

Residual finds: One fragment of cremated human/probably human bone (4g).

Date: Early 2nd to the late 2nd/early 3rd century.

HF475.1 H(807). Cam 156 flagon, Fabric DJ (420g). Broken, presumed complete when put into grave. Early 2nd to the late 2nd/early 3rd century.

HF476: inhumation burial (H2)

Description: Only part of inhumation burial HF476 was located inside of the excavation area. It had also been cut by inhumation burial HF475. The excavated grave measured 1.62m by 0.65m and 0.14m deep, and was aligned northwest to southeast.

Human bone: No human bone had survived.

Date: Roman.

HF477: urned cremation burial (H1)

Description: Pit HF477 was a round feature, 0.29m in diameter and 0.23m deep, containing an urned cremation burial.

Cremated human bone: Eight hundred and seventy-six fragments of cremated human bone were excavated weighing 910g. The individual was a young adult.

Burial goods: A jar (HF477.1) had been used as a cremation urn.

Residual finds: Seven pottery sherds.

Date: Mid 2nd to the late 3rd/early 4th century.

HF477.1 H(809). Cam 268 jar, Fabric GX, complete (968g). Mid 2nd to the late 3rd/early 4th century.

HF478: burial pit containing pyre debris (H2)

Description: Only part of pit HF478 was located inside the excavation area. It had also been cut by a modern service trench. The excavated feature measured 0.69m by 0.37m and 0.09m deep, and contained pyre debris in the form of cremated human bone and charcoal scattered throughout.

Cremated human bone: Twenty-two fragments of cremated human/probably human bone were excavated weighing 13g.

Date: Roman.

HF481: inhumation burial (H2) (Fig 51)

Description: Inhumation burial HF481 was located within a grave measuring 1.8m by 0.7m and 0.26m deep, and aligned northwest to southeast.

Human bone: No human bone had survived.

Burial goods: A Samian cup (HF481.1), two bowls (.2-3) and a glass jug (.4) had been placed in the southeast end of the grave. Eight iron nails found around the burial goods might suggest that they had been placed inside a box.

Residual finds: Thirty-six pottery sherds.

Date: 3rd to the 4th century.

HF481.1 H(813). Fig 51. Samian cup form Dr 46, Fabric BA(EG) (?) (184g). Whole pot, small piece of rim detached. Mid 2nd to the mid 3rd century.

HF481.2 H(814). Fig 51. Open bowl (503g), whole pot, inturned rim and low footring, grey, slightly sandy surfaces, some sparse flint in surface of fabric (similar form to Mayen/Speicher products). 3rd to the 4th century.

HF481.3 H(815). Fig 51. Open bowl (490g), whole pot (small score or fault on internal wall under rim), inturned rim and low footring, grey, slightly sandy surfaces, some sparse flint in surface of fabric (similar form to Mayen/Speicher products). 3rd to the 4th century.

HF481.4 H(811). Fig 51. Crushed blue/green glass vessel; most of lower vessel complete when excavated (now in pieces); neck, rim and handle incomplete. A conical jug with long neck, open base ring and concave base (Price and Cottam 1998, 155-157). Ribbon handle with central rib applied to upper body and attached to neck and underside of rim. Elongated vertical trail with pinched projections extends down body from handle attachment. Height when excavated 174mm, maximum diameter of body 137mm, diameter of base 77mm. Late 1st to mid/late 2nd century.

HF482: inhumation burial (H1)

Description: Inhumation burial HF482 was located within a grave measuring 1.85m by 0.70m and 0.24m deep, and aligned WNW to ESE.

Human bone: No human bone had survived.

Residual finds: One iron nail.

Date: Roman.

HF483 (previously numbered HF434): possible burial feature (H1)

Description: Only part of burial feature HF483 was located within the excavation area. It had also been cut by a modern service trench. The excavated feature measured 0.85m by 0.65m and 0.61m deep.

Date: Roman.

HF490: inhumation burial (H1)

Description: Inhumation burial HF490 had been cut by inhumation burial HF540. The grave measured 1.65m by 0.56m and 0.28m deep, and was aligned slightly off east to west (probably because it had been dug through ring-ditch HF502).

Human bone: Eight fragments of human bone were excavated weighing 28g. The individual was an adult.

Burial goods: A flagon (HF490.1) had been placed at the northwest end of the grave.

Date: Early 2nd to the late 2nd/early 3rd century.

HF490.1 H(786). Cam 156 flagon, Fabric DJ (420g). Broken, presumed complete when placed in grave. Early 2nd to the late 2nd/early 3rd century).

HF492: inhumation burial (H1) (Fig 52)

Description: Inhumation burial HF492 was located within a grave measuring 2.6m by 1.48m and 0.99m deep, and aligned west to east with the head to the west.

Burial markers: Two postholes, HF463 and HF471, were dug through the northeast and southwest edges of the grave. A third posthole, HF453, was located at the east end of the grave.

Human bone: No human bone had survived.

Timber coffin: Twenty iron coffin nails show that the body had been buried within a timber coffin measuring approximately 1.8m by 0.54m.

Burial goods: A flask (HF492.1) had been placed at the west end of the coffin with a dish (.2) and the east end. Two clusters of iron hobnails (.3) at the east end show that the body had been buried wearing nailed leather footwear.

Date: Late 2nd to the 3rd/4th century.

HF492.1 H(832). Fig 52. Flask, Fabric MQ, approximates to form Cam 283 (but not decorated) (412g). Whole pot, plain cream slipped body with frilled/notched cordon around neck, brownish orange fabric, areas of surviving slip fine and powdery. Date range of Cam 283 is uncertain but is probably late 2nd to the 3rd century.

HF492.2 H(801). Fig 52. Cam 40A dish, Fabric GB, deep with slightly flaring sides (567g). Whole pot, red-brown fabric with burnished dark-grey surfaces (both interior & exterior), crack in vessel wall and small surface chip missing from inside. Cam 40 is dated early 2nd to the late 3rd century in Fabric GB, but the general dish form continues into the 4th century (Going 1987, 14, B3).

HF492.3 H(835), SF147. Twenty-six iron hobnails and hobnail fragments, some with the heads corroded together, longest 16mm. **H(836), SF148.** Thirty iron hobnails and hobnail fragments, some with the heads corroded together and most with traces of mineral-preserved leather, longest 16mm. From leather footwear worn at the time of burial.

HF509: inhumation burial (H1)

Description: One end of inhumation burial HF509 had been cut by a modern service trench. The surviving grave measured 1.15m by 0.58m and 0.21m deep and was aligned WNW to ESE.

Human bone: No human bone had survived.

Date: Roman.

HF512: inhumation burial (H1)

Description: Inhumation burial HF512 was located within a grave measuring 1.52m by 0.61m and 0.20m deep, and was aligned north to south.

Human bone: No human bone had survived.

Residual find: Three pottery sherds.

Date: Roman.

HF514: inhumation burial (H1)

Description: Inhumation burial HF514 was located within a grave measuring 2.42m by 1.10m and 0.86m deep, and aligned north to south. It cut inhumation burial HF590.

Human bone: No human bone had survived.

Timber coffin: Twenty-four iron coffin nails possibly show that the body had been buried within a timber coffin, however there was no definable coffin shape and the nails may be residual.

Residual finds: Ten pottery sherds and one fragment of Roman brick and tile (84g).

Intrusive finds: Two fragments of peg-tile (77g).

Date: Early/mid 2nd to the mid/late 3rd century (date based on residual pottery sherds).

HF515: inhumation burial (H1)

Description: One end of inhumation burial HF515 had been cut by a modern service trench. The surviving grave measured 2.29m by 0.86m and 0.27m deep, and was aligned east to west.

Human bone: No human bone had survived.

Date: Roman.

HF517: inhumation burial (H1) (Fig 53)

Description: Inhumation burial HF517 was located within a grave measuring 3m by 1.26m and 0.83m deep, and aligned east to west with the head to the east.

Human bone: One fragment of human bone was excavated weighing 79g.

Timber coffin: Nineteen iron coffin nails show that the body had been buried within a timber coffin measuring approximately 2.07m by 0.42m.

Burial goods: A beaker (HF517.1) and beaker/jar (.2) were buried at the western end of the coffin alongside two clusters of iron hobnails (.3). The hobnails show that the body had been buried with, but not wearing, nailed leather footwear. A copper alloy coin (.5) had been placed inside the beaker/jar and a second copper alloy coin (.6) in the grave. A copper alloy finger-ring (.4) was also found.

Residual finds: Four pottery sherds.

Date: Late 2nd to the mid 3rd century.

HF517.1 H(818). Fig 53. Cam 406 folded beaker, Fabric CZ, whole pot (310g). Reddish-brown colour coat abraded over top of rim, decorated with rouletted bands above and below folds. Late 2nd to the mid 3rd century.

HF517.2 H(819). Fig 53. Probably complete large beaker/jar, Fabric GX, presumably whole when buried, essentially Cam 108. Mid 1st to the early/mid 2nd century.

HF517.3 H(833), SF141. Forty-one iron hobnails and hobnail fragments, longest 17mm. **SF 139. H(834).** Fifty-one iron hobnails and hobnail fragments, longest 17mm. These two groups of hobnails at the western end of the grave pit lay flat and represent leather footwear that was not worn at the time of burial. The nailing pattern was slightly obscured by broken pottery, but both groups appear to have a line around the outer edge of the sole and probably a central row running from heel to toe.

HF517.4 H(824), SF109. Very worn copper-alloy *as*, probably Vespasian, AD 69-79. Obverse: head right, legend worn away. Reverse: eagle on globe, legend worn away. Diameter 26mm; weight 6.69g.

HF517.5 H(800), SF112. Worn copper-alloy as of Commodus, AD 180-92 (181/182), as *RIC* 323. Obverse: legend worn away, laureate head right. Reverse: [-] IIII COS [-] S C, Mars advancing right, carrying spear and trophy. Diameter 26mm; weight 8.79g.

HF517.6 H(817), SF110. Fragment of a copper-alloy finger-ring with two round cups flanking an oval bezel, all now empty but probably originally filled with enamel. Diameter approx. 19mm.

HF523: inhumation burial (H1)

Description: Inhumation burial HF523 had been cut through the middle by a modern service trench. The grave measured 2.64m by 1.02m and 0.81m deep, and was aligned north to south.

Human bone: No human bone had survived.

Residual finds: Three pottery sherds and one iron nail.

Date: Roman.

HF532b: inhumation burial (H1)

Description: One end of inhumation burial HF532b had been cut by a modern service trench. The surviving grave measured 1.75m by 0.74m and 0.50m deep, and was aligned east to west.

Human bone: No human bone had survived.

Timber coffin: Twelve iron coffin nails show that the body had been buried within a timber coffin measuring approximately 0.40m wide.

Burial goods: A beaker (HF532b.1) had been placed at the west end of the grave.

Date: 2nd century.

HF532b.1 H(934). Cam 123 beaker, Fabric GP, whole pot (285g), rim complete but broken and extensive damage to one side with missing body sherds and small post-firing (recent?) whole in one side, decorated with two areas of rouletting either side of girth. 2nd century.

HF539: possible burial feature (H1)

Description: Only part of burial feature HF539 was located inside the excavation area. The excavated feature measured 0.66m by 0.53m and 0.34m deep.

Finds: One iron nail.

Date: Roman?

HF540: inhumation burial (H1)

Description: Inhumation burial HF540 was located within a grave measuring 1.71m by 0.67m and 0.16m deep, and aligned north to south. It cut inhumation burial HF490.

Human bone: No human bone had survived.

Date: Roman.

HF541: inhumation burial (H1) (Fig 54)

Description: Inhumation burial HF541 was located within a grave measuring 2.2m by 0.98m and 0.45m deep, and aligned west to east with the head to the west

Human bone: Forty-five fragments of human bone were excavated weighing 453g. The individual was possibly an adult.

Timber coffin: Twenty-nine iron coffin nails show that the body had been buried within a coffin measuring approximately 1.94m by 0.45m.

Residual finds: Twenty-nine pottery sherds.

Date: Roman.

HF546: inhumation burial (H1)

Description: Inhumation burial HF546 was located within a grave measuring 2.58m by 1.05m and 0.65m deep, and aligned north to south with the head to the north.

Human bone: Eight fragments of human bone were excavated weighing 38g.

Timber coffin: Thirty-two iron coffin nails show that the body had been buried within a timber coffin measuring approximately 2.00m by 0.45m.

Residual finds: One pottery sherd and one fragment of Roman tile (230g).

Date: Roman.

HF547: inhumation burial (H1)

Description: Inhumation burial HF547 was located within a grave measuring 1.76m by 0.63m and 0.50m deep, and aligned north to south.

Burial marker: Posthole HF493 was located on the northwest edge of the grave.

Human bone: No human bone had survived.

Date: Roman.

HF548 (with HF421 and HF422): inhumation burial (H1) (Fig 55)

Description: Inhumation burial HF548 had been cut through the middle by a modern service trench and had been cut by inhumation burials HF396 and HF691. It was located within a massive grave measuring 3.4m by 1.95m and 0.82m deep, and aligned east to west. The edges of the upper fill of the grave were difficult to determine and at the time were given three other separate numbers (HF395, HF421, HF422). At least one edge appears to have been slightly stepped possibly due to the depth of the grave. Alternatively these edges represent later burial features that were dug into the mid/upper fill of the grave that were in turn disturbed by the service trench.

Human bone: No human bone had survived.

Timber coffin: Dark staining in the bottom 0.20m of the grave and forty-two (some disturbed) iron coffin nails show that the body had been buried within a timber coffin measuring approximately 1.87m by 0.60m.

Burial goods: Two jars (HF548.1-.2) were found at the eastern end of the coffin. They were 0.20-0.30m higher than the base of the coffin and may have been placed on top of it rather than inside.

Residual finds: Two pottery sherds and a fragment of Roman brick (325g).

Date: Mid 2nd to the late 3rd/early 4th century.

HF548.1 H(854). Fig 55. Small jar, Fabric GX, approximating to Cam 268 but lacking groove(s) on shoulder, possibly a miniature pot (158g). Whole, small chip to edge of rim, appears probably to be accidental damage. Early/mid 2nd to the late 3rd/early 4th century.

HF548.2 H(855). Fig 55. Jar, Fabric GX (150g). Part pot, broken into sherds, neckless jar with hook rim similar to Cam 268. Mid 2nd to the 3rd century.

HF549: inhumation burial (H1) (Photograph 6, Fig 56)

Description: One corner of inhumation burial HF549 had been cut by a modern service trench. The grave measured 2.03m by 1.07m and 0.88m deep, and was aligned west to east with the head to the west.

Human bone: Seventy-seven fragments of human bone were excavated weighing 325g. The individual was a juvenile aged 8-10 years old.

Timber coffin: Twenty-three iron nails show that the body had been buried within a timber coffin measuring approximately 1.44m by 0.3m.

Burial goods: A jar (HF549.1) had been placed at the west end of the grave by the head. A cluster of iron hobnails (.2) at the east end of the coffin show that the body had been buried with/wearing nailed leather footwear.

Residual finds: One pottery sherd.

Date: Mid 2nd to the early 4th century.

HF549.1 H(871). Fig 56. Cam 268 jar, Fabric GX, (566g). Area broken away from the rim which looks like old damage. Mid 2nd to the early 4th century.

HF549.2 Cluster of iron hobnails (lost before post-excavation assessment)

HF555: possible burial feature (H1)

Description: Pot scatter HF555 had no definable edges. It may have come from a disturbed burial feature.

Finds: Five pottery sherds from the base of a jar.

Date: Roman.

HF555.1 H(923). Pottery sherds. Fabric GX jar/bowl base (202g). Roman.

HF556: inhumation burial (H1) (Fig 57)

Description: Inhumation burial HF556 was located within a grave measuring 1.82m by 0.90m, although the dimensions of the timber coffin (see below) may suggest that the grave had been overdug. It was 0.48m deep and aligned east to west.

Burial marker: Posthole HF544 cut through the northeast edge of the grave.

Human bone: No human bone had survived.

Timber coffin: Fourteen iron coffin nails show that the body had been buried within a timber coffin measuring approximately 1.00m by 0.35m.

Burial goods: A copper alloy bell (HF556.1) had been placed in the coffin, which also indicates an infant/child burial (see below).

Date: Roman.

HF556.1 H(874), SF114. Fig 57. Small copper-alloy conical bell with angular suspension loop and iron clapper. There is a pair of incised grooves around the base and a single groove close to the top. Height 15mm, diameter 14mm. Bells were sometimes placed in infant and child burials as protective devices, using noise to drive away evil (Crummy 2010, 53-4). A small bell was found with the cremation of a perinatal infant dated to the late 1st or early 2nd century in the cemetery at Valladas, St-Paul-Trois-Châteaux (Drôme), and some were set into the mortar sealing children's tombs in the catacombs at Rome, a practice that was particularly common in the fourth century (Feugère 2002; Nuzzo 2000, 252-3). At the Butt Road Police Station site in Colchester a bell was among a very varied collection of amulets in one infant grave, a pair of bells on an iron chain lay in another, and an armlet fitted with a bell was among the jewellery in the burial of a ten-year-old girl (Crummy *et al.* 1993, 41, 47, 137; Crummy 2010, 46-7, 53-4).

HF566.2 H(866), SF192. Fig 57. Small iron knife with a square-section tang and broken elongated suspension loop set at right angles to the plane of the blade and formed by bending the tang up slightly and then back on itself. An organic handle, probably wood or bone, would have been fitted over the tang before the loop was formed. The edge of the blade is straight, the back initially follows the line of the tang then curves down to the point, the very tip of which is missing. Slightly textured iron corrosion on one face of the blade may represent a leather scabbard. Total length 149mm; length of blade 69mm.

HF560: inhumation burial (H1) (Fig 57)

Description: Only part of inhumation burial HF560 was located inside of the excavation area. The excavated grave measured 1.8m by 1m and 0.40m deep, and was aligned west to east with the head to the west.

Human bone: Sixty-six fragments of human bone were excavated weighing 101g.

Burial goods: A copper alloy armlet (HF560.1) was found on the right hand side of the body. The distance from the skull to the armlet would imply that the armlet was being worn at the time of burial.

Residual finds: Two pottery sherds and one fragment of Roman imbrex (208g).

Date: Roman.

HF560.1 H(882), SF113. Fig 57. Ovoid plain penannular copper-alloy armlet, ovoid to D-shaped in section. External diameter 39-49mm, internal diameter 36-46mm, height 3mm, thickness 0.5-2mm. It lay towards the south side of the grave pit, in the correct position to have been worn on, or placed near, the right arm. Its diameter suggests that this was probably the burial of an adult or older child.

HF571: urned cremation burial (H1)

Description: Pit HF571 was a round feature, 0.41m in diameter and 0.05m deep, containing a disturbed urned cremation burial.

Cremated human bone: Eighty-two fragments of cremated human/probably human bone were excavated weighing 92g.

Burial goods: A jar (HF571.1) had been used as a cremation urn.

Date: Roman.

HF571.1 H(883). Lower part of jar broken in sherds, Fabric GX (774g). Roman.

HF572: urned cremation burial (H1)

Description: Pit HF572 was a round feature, 0.54m in diameter and 0.26m deep, containing a disturbed urned cremation burial. It cut the fill of enclosure ditch HF633.

Cremated human bone: Four hundred and ninety fragments of cremated human/probably human bone were excavated weighing 677g.

Burial goods: A jar (HF572.1) had been used as a cremation urn and a bowl (.2) had been inverted and used as a lid.

Date: Late 2nd to the 3rd century.

HF572.1 H(885). Cam 270B jar, Fabric GX (2335g). Broken, probably complete, stab decoration around neck. Mid/late 1st to the 2nd/3rd century.

HF572.2 Cam 37B bowl, Fabric GB, broken, complete(?). Inverted and used as a lid for urn HF572.1. Late 2nd to the 3rd century.

HF575: urned cremation burial (H1)

Description: Pit HF575 was a round feature, 0.30m in diameter and 0.12m deep, containing a disturbed urned cremation burial. It cut inhumation burial HF576.

Cremated human bone: Three hundred and seven fragments of cremated human/probably human bone were excavated weighing 203g.

Burial goods: A jar (HF575.1) had been used as a cremation urn.

Date: Roman.

HF575.1 H(887). Lower part of large jar, Fabric GX (BSW) (1100g). Base complete, wall broken into sherds, black surface, burnished on wall above base. Roman.

HF576: inhumation burial (H1)

Description: Inhumation burial HF576 had been cut by a modern service trench but was located within a grave measuring 2.16m by 1.01m and 1.11m deep, and aligned north to south. It was cut by urned cremation HF575.

Human bone: No human bone had survived.

Residual finds: Four pottery sherds.

Date: Roman.

HF579: inhumation burial (H1) (Photograph 8, Fig 58-60)

Description: Inhumation burial HF579 was located within a grave measuring 1.63m by 0.75m and 0.2m deep, aligned east to west.

Human bone: No human bone had survived.

Burial goods: Six pottery vessels (HF579.1-.6) and a variety of ironwork and other metal and non-metal items (.7-.42) had been placed in the burial (see below).

Residual finds: Four pottery sherds.

Date: Late 3rd to the 4th century.

HF579.1 H(907). Fig 58. Cam 305A flanged bowl, (732g), whole pot with burnished arcs around body wall. Third quarter of 3rd century to the 4th century. Also a complete base from a small greyware pot found inside the bowl. Burnt inside with burning extending across the broken edge on one side.

HF579.2 H(908). Fig 58. Beaker, whole (185g), tall with plain body, dark brown colour-coat, firing line with red surfaced lower body and base below, short neck with plain simple rim ('funnel mouth'). Mid 3rd to the 4th century.

HF579.3 H(909). Fig 59. Jar/bowl, complete (567g), rim and neck broken away, cream surfaces, red-brown stain or corrosion product adhering on edge of base and part of lower wall on one side. Mid 1st to the mid 2nd century.

HF579.4 H(910). Fig 59. Beaker, Fabric GX, near complete (192g), broken into several pieces along pressure cracks, small sections of rim missing, may simply not have been recovered, foot slightly broken away on one side, single score line across base may be mark during manufacture, rounded/ovoid body with small everted rim which has a slight internal seating. Probably 2nd to the 3rd century.

HF579.5 H(911). Fig 59. Jar, Fabric CH(?), tall narrow mouthed jar with pedestal foot, complete (563g). Upper body broken, groove around rim and grooves where neck joins body, red-brown fabric with traces of cream slip and trails of white slip on interior, possibly a Hadham product of 2nd to the 3rd (?) century date.

HF579.6 H(916). Fig 58. Small indented beaker, Fabric CL (83g). Whole pot, plain body with dark metallic surface coating, round indentations. Late 2nd(?) to the 3rd century.

Comment on the burial goods

A very idiosyncratic grave group consisting of a wide variety of ironwork and other metal and non-metal items came from this burial. Most of the objects lay together, with several pottery vessels, at the west end of the grave pit. They may have been in, or at least closely associated with, a large wooden box, the existence of which is far from certain. Much of the ironwork was fused together and was consequently lifted as two blocks (numbered SF122 and SF123, and as individual items were recorded within these blocks they were assigned an identifying lower-case letter). All the objects are listed in the catalogue below in the order in which they are discussed here.

Four items lay, or appeared to lie, outside the main group. A pewter vessel, surviving only as small fragments, was the most distant item from the putative box, lying towards the southern side of the pit and about halfway along its length (HF579.7). The vessel's diameter and surviving height suggests that it was a low round dish, similar to a pewter vessel from an adult female inhumation dated to the later 3rd century, or perhaps the very early 4th, on the Butt Road Police Station site (Crummy *et al.* 1993, 24). Not far to the north of the vessel was a featureless iron strip (HF579.8), and between the strip and the main cluster of objects was a small iron ring and a nail shank fragment (HF579.9). The ring is probably a chain link (see below). The vessel and strip certainly lay outside the area of the ? box, while the ring and nail shank were close to its eastern side and could perhaps have been on or inside it.

Evidence for the existence of a box consists chiefly of some dark staining of the soil in the area of the main group of deposits and the presence of an iron lock on the north side of the group, with an iron rotary key lying on the outer face of the lock-plate, not fitted into the keyhole (Fig 58, HF579.10i, iii, iv and v). A copper-alloy sheet fragment was found in contact with the key but not the lock-plate. The stained soil may be all that remains of decayed iron-impregnated wood from a box, but might equally derive from other organic objects, such as wooden vessels, clothing, or food, or, as many of the deposits were iron, might well be the result of corrosion products colouring the sandy soil. The absence of hinges on the south side of the group argues strongly against the existence of a box, as with no hinges to secure a lid to the back board, placing a lock on the front does not alone secure lid and body together. There is some possibility that leather hinges were used, but no metal studs or nails necessary to secure them to lid and back board were present. The position of the key is also odd, as it could not have lain across a lock-plate attached to a vertical front board. The lack of nails around the edges of the group may simply imply that the putative box was jointed, but is also another reason to doubt that a box existed. The wide range of object types within the deposits in this area may also point to the lock and its key being grave goods in their own right.

The non-ferrous items within the main group of deposits were a small copper-alloy bell missing its clapper (Fig 59, HF579.11), a miniature copper-alloy cup (Fig 59, HF579.12), a decorated copper-alloy disc, probably a *pyxis* lid (Fig 59, HF579.13), a glass vessel base modified into a disc or counter (Fig 58, HF579.14), two lead pulley spools (Fig 58, HF579.15-16), a piece of window glass dating to before c. 300 (HF579.17), a fragment of weathered plaster (HF579.18) and a fragment of weathered ?alabaster (HF579.19). The last three pieces were almost certainly residual in the grave fill and imply that there had been an earlier building of some quality in the area.

As with inhumation HF556, the bell points to this being the burial of an infant or young child, or, given the number of ceramic vessels, of more than one child, and the miniature cup is appropriate in the same context. The decorated disc is plated with white-metal and has bands of engraving that show up black against the white; they may have been filled with niello (silver sulphide). No direct parallels have yet been found to allow this disc to be positively identified. A central unplated floret-shaped boss was attached to the disc by tin-lead solder. There are no obvious means of fixing the disc to any other object, although there had probably been enough solder on the underside for it to be used as an appliqué attached to a larger metal object. The diameter is appropriate for it to be a *pyxis* lid, but with no side walls it would not have been a stable fit. The general techniques used in the decoration are reminiscent of those used on some mirrors and inkwell lids, but the precise styles are not matched on those items (Lloyd-Morgan 1981; H. Eckardt, pers. comm.). The ?lid may be the product of a workshop manufacturing a range of small metal high-status items in various styles. The bell, cup and ?lid, together with the glass disc, could all be classed as *crepundia*, amulets, miniatures or other curiosities collected by young girls in a range of materials and colours (Martin-Kilcher 2000, 66-7); similar groups were also put together by bereaved parents for their amuletic properties in the afterlife (Crummy 2010, 54, 66-9).

The lead pulley spools and iron objects are much more utilitarian. The latter include shears (Fig 60, HF579.20), a lift-key (Fig 60, HF579.21), a slide-key (Fig 60, HF579.22), a pot-hook (Fig 60, HF579.23), and a reaping-hook (Fig 60, HF579.24). A long double-ended spike may be a skewer (HF579.25). Several rings of two different diameters lay within soil block SF 123 (HF579.26-29); some were certainly individual deposits, others may belong with the pot-hook, which has some chain links attached to one end. A curved iron band may be part of a bucket hoop (HF579.30). A strip fragment with two rivet holes may derive from any number of larger objects or from a building (HF579.31) and may be residual. A number of nails were present (HF579.32-42), but too few to be from the putative box, and some are certainly too large to be box nails and would have been used in the construction of buildings, such as HF579.36, HF579.38-39 and HF579.40i, most of which lay towards the centre of the main group of deposits. A single hobnail (HF579.40iii) may be residual from an earlier cremation, which suggests that at least some of the other nails, in particular those that survive only as fragments, may also be residual, but the widely varying nature of the items in the collection would also allow for the hobnail to be a deliberate deposit (see below).

Although the three copper-alloy items point to HF579 being an infant burial, this is certainly not the case with the iron and lead objects, which are all full-sized pieces for adult use. Household equipment is represented by the pothook, lock, keys and possible skewer. The reaping-hook and probably also the shears are agricultural equipment, although the latter may have been used for cutting cloth. The lead pulley spools were probably used with rope, rather than an iron chain, to lift goods or equipment out of a cart or boat, or to raise them to a second storey; they may even have been used to lower heavy items into a grave (such as the ?box in this burial). The possible bucket hoop fragment

could have been use in either a household or agricultural context, although being only a fragment it may be residual. The three keys in the burial are all of different types, and this suggests that the ironwork may represent a blacksmith's repertoire, supported by the range of nail types, even perhaps by the single hobnail, and by the loose rings in two different sizes. An alternative interpretation is that the whole group was intended to provide equipment for the afterlife. The deposit is reminiscent of two sets of miniature tools from adult cremation burials at Sagnes à Pontarion (Creuse), one of which also also included full-size items. Sépulture 238 contained a full-size saw, finger-ring, and stylus (all of iron), and a set of model iron implements comprising a frying-pan, fire-shovel, rake, scythe, hoe, shears, bill-hook, axe, adze-hammer, pick and two knives of different types, all suspended on a twist of iron wire. Suspended on an iron slip-knot ring, the set in Sépulture 150 consisted of a bill-hook, spatula, frying-pan, mason's hammer, fire-shovel, knife, key and axe, a probable leather-worker's lunette knife, and two implements that have not been positively identified (Lintz 2001, 62-4, 328-9, 351-2). As with the enigmatic HF579 assemblage, the range of domestic and craft equipment present in these sets may suggest that these are the burials of two smiths taking representative samples of their work into the afterlife, or, more likely, as those of adults provided by their families with equipment necessary to thrive in the afterlife.

Several possibilities therefore present themselves. This may be the burial of a smith who worked in iron, non-ferrous metals, and other materials (the latter represented by the adapted glass vessel base) provided with examples of his output; or that of a child (or possibly children given the size of the grave pit); or that of both an adult and child/children. Whatever the truth may be, the dead were beyond doubt provided with tools that might prove useful in the afterlife.

HF579.7 H(912), SF135. Degraded fragments from a pewter vessel, with part of a footing surviving on one piece. Total weight 21g.

HF579.8 H(913b), SF127. Iron strip fragment, in pieces. Length 96mm, width 22mm.

HF579.9 H(913g), SF130. a) Small iron ring, probably a chain link rather than a finger-ring. Diameter 20mm. b) Iron nail shank fragment. Length 41mm.

HF579.10 H(913d), SF122a. Fig 58. Iron lock with other iron and copper-alloy objects corroded onto it. i) Part of an iron lock-plate (81 by 55mm, both dimensions incomplete), with the one surviving original edge lying close (14mm) to the top of the keyhole; the plate has a key ward on the inner face (diameter 25mm). ii) Two separate pieces of the bolt (33 by 8mm; 34 by 8mm), one retaining an attachment staple (10 by 1-2 mm). iii) Iron rotary key, lying across the outer face of the lock-plate and is missing part of its large circular bow and part of the bit (surviving length 87mm). iv) Slightly curved copper-alloy sheet fragment (37 by 32mm, both dimensions incomplete) lying across one side of the outer face of the key; possibly box cladding, but not directly associated with the lock-plate. v) Stout copper-alloy penannular ring with two longitudinal bands of fine grooves on the outer face, found adhering at an angle to the inner face of the lock-plate (diameter 26mm, height 10mm, thickness 1mm); probably the key ward, its ragged terminals suggest that it was originally soldered together as a continuous band.

HF579.11 H(909b), SF120. Fig 59. Small copper-alloy conical bell with nipped top, missing the suspension loop and clapper. Diameter 18mm, height 9mm.

HF579.12 H(913m), SF134. Fig 59. Cast miniature copper-alloy cup set on a shaft with two mouldings that rises from a hexagonal platform on a hollow hexagonal base. There is a single incised groove at the top of the cups, a pair of concentric grooves on the platform, and a single groove at the bottom of the base. There is a lathe-centre mark in the bottom of the cup. Height 52mm, diameter of cup 25mm, maximum width of base 29mm.

HF579.13 H(913e), SF128. Fig 59. Thin copper-alloy disc with incised decoration on the white-metal plated upper surface and with a flared boss attached to the centre by tin-lead solder. The solder filled the hollow centre of the boss and passed through a hole in the disc. An irregular scar on the underside shows that it was spread across an area of about 31 by 19mm. The surface decoration consists of a border defined by two close-set concentric grooves filled with inward-facing triangles both outlined and filled with incised zigzags (walked scorpion decoration), and a circular area around the central boss, again defined by two concentric grooves that are here set slightly further apart, with the zone between grooves and boss filled by outward-facing triangles defined by incised zigzags. The grooves and zigzags were probably originally filled with niello. Diameter 80mm.

HF579.14 H(913f), SF129. Fig 58. Pale green glass vessel base with foot ring and concave pontil scar, probably from a small jug. The wall has been deliberately nibbled away. Diameter of foot ring 35mm, diameter of pontil scar 11-12mm.

HF579.15 H(913a), SF126. Fig 58. Lead dumbbell-shaped pulley spool. Length 38mm, diameter 29mm; weight 168g.

HF579.16 H(913l), SF123a. Fig 58. Lead dumbbell-shaped pulley spool. Length 25mm, diameter 36mm; weight 219g.

HF579.17 H(913c), SF124a. Fragment of very pale green, almost colourless, window glass with one matt and one glossy surface. There are some bubbles on the glossy surface. This type was in use to c AD 300. Attached by corrosion to the head of nail HF579.40i.

- HF579.18 H(913h), SF131.** Fragment of weathered plaster (?gypsum), with two worked surfaces set at an obtuse angle. 86 by 50 by 36mm.
- HF579.19 H(913i), SF132.** Rectangular piece of weathered ?alabaster veneer, with a small broken projection at one corner. 55 by 35mm, 12mm thick.
- HF579.20 H(913i), SF123b. Fig 60.** Iron shears, of the size used for shearing sheep and cutting cloth (Manning 1985, 34). Length 235mm, width at spring loop 55mm.
- HF579.21 H(913d), SF122c. Fig 60.** Iron L-shaped lift key missing the teeth, with the top of the shank rolled over to form a suspension loop. Length 114mm.
- HF579.22 H(913d), SF122e. Fig 60.** Iron tumbler-lock slide key with large suspension loop, a rectangular handle above a narrow stem and damaged bit (as Manning 1985, fig. 25, 4-5, 7). Length 84mm.
- HF579.23 H(913l), SF123g. Fig 60.** Iron pot-hook, with the upper end rolled over to form a suspension loop in which is fixed a short length of chain (ring diameter 44mm) and the lower bent into a stout hook. The shank is 13mm across just before the bend for the loop, widening out to 36mm before the hook. Length (without chain link) 197mm.
- HF579.24 H(913j), SF125a. Fig 60.** Iron reaping-hook, with tapering open socket and short solid neck before the blade; bent just above the neck. The back of the blade continues the line of the ferrule, the edge is offset. The upper part of the blade is missing. Length (bent) 237mm. A complete reaping-hook of this form came from Colliton Park, Dorchester (Durham & Fulford 2014, fig. 144, 93).
- HF579.25 H(913l), SF123k.** Long iron double-ended spike, possibly a skewer. Length >300mm.
- HF579.26 H(913l), SF123c.** Iron circular-section ring. Diameter 47mm, section 10mm.
- HF579.27 H(913l), SF123f.** Seven iron circular-section ring fragments of two different diameters, 80mm (x 4), and 60mm (x 3); sections 7-9mm.
- HF579.28 H(913l), SF123h.** Iron circular-section ring corroded onto one side of HF579.23. Diameter 59mm.
- HF579.29 H(913l), SF123i.** Two iron circular-section ring fragments associated with HF579.23, one corroded onto the upper face. Length 21mm.
- HF579.30 H(913d), SF122b.** Curved iron band, incomplete at the time of burial, with an overlapping joint; probably part of a bucket hoop (as Manning 1985, pl. 48). Diameter 180mm approx., width ranges from 17 to 21mm (less in places where the edges have broken).
- HF579.31 H(909a), SF121.** Slightly curved iron strip fragment, rectangular section, with two rivet holes close to one side. Length 46mm, width 12mm.
- HF579.32 H(913d), SF122d.** Three iron nails and one nail shank fragment. i) Two nails lying parallel to each other and attached by corrosion. Lengths 79 and 77mm. ii) Nail. Length 54mm. iii) Shank fragment. Length 51mm.
- HF579.33 H(913l), SF123d.** Two iron nails. Lengths 57 and 51mm.
- HF579.34 H(913l), SF123e.** Four iron nail shank fragments. Lengths 54, 47, 41 and 32mm.
- HF579.35 H(913j), SF125b.** Iron nail, lying on the blade of the reaping-hook HF579.24 and attached to it by corrosion. Length 84mm.
- HF579.36 H(913l), SF123j.** Iron nail with lozenge-shaped head, Manning Type 2 (1985, 135, fig. 32, 2). Length (tip missing) 150mm.
- HF579.37 H(913l), SF123l.** Iron nail with large flat head. Length 84mm approx.
- HF579.38 H(913l), SF123m.** Iron nail with large hemispherical head. Length 202mm.
- HF579.39 H(913l), SF123n.** Iron nail. Length 135mm.
- HF579.40 H(913c), SF124b.** Four iron objects. i) Nail, with shank bent into an S. Length 105mm. Window glass fragment HF579.17 is attached by corrosion to the head of this nail. ii) Nail, tip missing. Length 61mm. iii) Hobnail, attached to nail ii by corrosion. Length >9mm. iv) Bar fragment, rectangular section, tapering to a point at one end. Length 60mm, maximum width 15mm.
- HF579.41 H(913d), SF122f.** A fused group of objects including a complete nail (length 98mm), other nail fragments, and strip fragments.
- HF579.42 H(913l), SF123o.** A fused group of objects including a spike or nail shank (length 136mm) and at least one other nail (length uncertain).

HF584: inhumation burial (H1)

Description: Inhumation burial HF584 was located within a grave measuring 1.25m by 0.54m and 0.15m deep, and aligned west to east with the head to the west.

Human bone: Four fragments of human bone were excavated weighing 6g.

Timber coffin: Six iron coffin nails might suggest that the body had been buried within a timber coffin. The coffin would have been small measuring approximately 0.30m wide.

Date: Roman.

HF590: inhumation burial (H1)

Description: Inhumation burial HF590 had been cut by inhumation burials HF474 and HF514. It was located within a grave measuring 2.01m by 1.03m and 0.52m deep, and aligned northwest to southeast. It cut inhumation burial HF666.

Human bone: No human bone had survived.

Date: Roman.

HF596: inhumation burial (H1) (Fig 61)

Description: Inhumation burial HF596 was located within a grave measuring 2.55m by 0.82m and 0.6m deep, and aligned north to south with the head to the north.

Human bone: Four fragments of human bone were excavated weighing 42g. The individual was mature and possibly male.

Burial goods: A jar (HF596.1) had been placed at the southern end of the grave. A narrow-necked jar (.2) was next to the skull and a dish (.3) had been placed in the centre of the grave. All appear to have been placed along the right hand side of the body. Nine iron hobnails (.4) were identified in the fill of jar HF596.1.

Residual finds: Nine iron nails.

Date: Mid 2nd to the 4th century.

HF596.1 H(903). Fig 61. Jar, Fabric GX (425g). Whole pot, flaring everted rim with small cordon below, shouldered with narrow flat base, dark grey surfaces abraded in places to a lighter grey, some fine mica and faint turning ridges visible in surface where abraded. Section of rim missing, appears to be old damage, similar to ritual damage recorded pots from other Roman burial sites. Form suggests a possible 2nd century or later date.

HF596.2 H(904). Fig 61. Cam 281 narrow mouth jar, Fabric GX, (490g). Whole pot, grey body with burnished shoulder with single burnished girth line below, section of rim missing and small hole punched into body from exterior. A small flake recovered from the inside of this vessel is almost certainly this missing body piece. The punched hole was almost without doubt made close to or at the time of the burial and appears to be a relatively clear case of ritual damage as recorded on pots from other Roman burial sites. Mid 2nd to the 4th century.

HF596.3 H(906). Fig 61. Cam 40 dish, Fabric GB, much of pot (400g), presumed whole when buried, plain with slightly flaring wall. Mid 2nd to the 3rd century.

HF596.4 H(903), SF162. Iron hobnail. Length 10mm. **H(903), SF163.** Cluster of eight iron hobnails, heads corroded together, longest 13mm.

HF598: urned cremation burial (H1) (Fig 62)

Description: Pit HF575 was a round feature, 0.45m in diameter and 0.25m deep, containing an urned cremation burial. It cut inhumation burials HF655/HF675 and HF681.

Cremated human bone: Two hundred and ninety-four fragments of cremated human/probably human bone were excavated weighing 455g.

Burial goods: A jar (HF598.1) had been used as a cremation urn and a bowl (.2) had been inverted and used as a lid.

Residual finds: Four pottery sherds.

Date: Late 2nd to the mid/late 3rd century.

HF598.1 H(899). Fig 62. Much of lower part of jar, Fabric GX, broken into sherds, base whole, rim and shoulder missing (612g). Internal cream scale deposit shows that the jar was formerly used for heating water. Roman.

HF598.2 H(900, 901). Fig 62. Cam 39B bowl, Fabric GB, joining sherds (387g). Late 2nd to the mid/late 3rd century.

HF601: inhumation burial (H1) (Fig 62)

Description: Inhumation burial HF601 was located within a grave measuring 1.54m by 0.82m and 0.45m deep, and aligned east to west.

Human bone: No human bone had survived.

Timber coffin: Forty-one iron coffin nails show that the body had been buried within a timber coffin measuring approximately 1.20m by 0.4m.

Burial goods: A flagon (HF601.1) had been placed in the northeast corner of the grave.

Residual finds: One pottery sherd and one fragment of Roman imbrex (165g).

Date: 2nd century.

HF601.1 H(917). Fig 62. Flagon with three vertical neck rings, Fabric DJ, whole pot (328g). Similar flagon neck in CAR 10 fig 6.16 411 described as form Cam 155 (dated Claudio-Neronian-early Antonine), however, the cup mouth may suggest an Antonine date (see Davis et al 1994, fig 178 1101-03). Patchy surface stain from surrounding soil, small section of rim missing, appears to be old damage, similar to ritual damage recorded pots from other Roman burial sites. 2nd century.

HF602: urned cremation burial (H1)

Description: Pit HF602 was a round feature, 0.32m in diameter and 0.24m deep, containing an urned cremation burial.

Cremated human bone: One hundred and sixty-six fragments of cremated human bone were excavated weighing 958g.

Burial goods: A jar (HF602.1) had been used as a cremation urn.

Residual finds: Four pottery sherds.

Date: Mid 2nd to the late 3rd century.

HF602.1 H(920). Cam 268 jar, Fabric GX, probably complete but broken into several large sherds, rim in several small pieces (1049g). There is some sooting around rim showing the jar was probably first used as a domestic pot. Mid 2nd to the late 3rd century.

HF632: pit containing pyre debris (H1)

Description: Pit HF632 was an oval feature, 0.65m by 0.56m and 0.15m deep, containing a rich black charcoal fill from pyre debris. It cut the fill of enclosure ditch HF633.

Cremated human bone: No human bone was recorded.

Burial goods/residual finds: Nine pottery sherds, one iron nail and two fragments of Roman brick/tile (12g)

Date: Roman.

HF632.1 H(956). Pottery sherds. Fabric GX (79g). Roman.

HF632.2 H(956). Iron nail, length 16mm.

HF636: possible burial feature (H1)

Description: Only part of burial feature HF636 was located inside the excavation area. It had also been cut by a modern service trench. The excavated feature measured 0.84m by 0.36m and 0.70m deep.

Date: Roman.

HF637: possible burial feature (H1)

Description: Only part of burial feature HF684 was located inside the excavation area. The excavated feature measured 0.97m by 0.37m and 0.38m deep.

Date: Roman.

HF639: inhumation burial (H1)

Description: Inhumation burial HF639 had been cut through the middle by a modern service trench. The surviving grave measured 2.20m by 0.65m and 0.65m deep, and was aligned south to north with the head to the south.

Human bone: One fragment of human bone was excavated weighing 6g.

Timber coffin: Eighteen iron nails show that the body had been buried within a timber coffin measuring approximately 1.85m by 0.45m.

Burial goods: Two clusters of iron hobnails (HF639.1) show that the body had been buried wearing nailed leather footwear.

Residual finds: Two pottery sherds.

Date: Roman.

HF639.1 H(966), SF152. Forty-one iron hobnails and hobnail fragments, many with mineral-preserved leather on the shank, longest 16mm. **H(967), SF151.** Twenty-eight iron hobnails and hobnail fragments, longest 13mm. From nailed leather footwear worn at the time of burial.

HF640: inhumation burial (H1)

Description: Inhumation burial HF640 had been cut through the middle by a modern service trench. The surviving grave measured 2.40m by (approximately) 0.80m and 0.26m deep, and was aligned north to south.

Human bone: No human bone had survived.

Burial goods: A jar (HF640.1) had been placed at the north end.

Residual finds: Twelve pottery sherds, two iron nails, six fragments of Roman brick and tile (307g) and one fragment of septaria (190g).

Date: Late 3rd to the 4th century.

HF640.1 H(963). Cam 279 jar, Fabric GA (580g). Complete, broken, narrow obtuse lattice band. Late 3rd to the 4th century.

HF641: inhumation burial (H1) (Photograph 7, Fig 63)

Description: Inhumation burial HF641 was located within a grave measuring 2.33m by 1.02m and 0.53m deep, and aligned slightly off north to south with the head to the north. It cut inhumation burials HF647a and HF681.

Human bone: Human bone was excavated weighing 45g. The individual was an adult with an estimated height range of 168-176cm (5 feet 6 inches to 5 feet 9 inches) and a healed break on their left tibia.

Timber coffin: Twenty-seven iron nails show that the body had been buried within a timber coffin measuring approximately 2m by 0.66m.

Burial goods: Two clusters of iron hobnails (HF641.1) show that the body had been buried wearing nailed leather footwear.

Residual finds: Twelve pottery sherds, nineteen fragments of Roman brick/tile (219g), five iron hobnails and one copper-alloy furniture nail.

Date: Early/mid to the early 3rd century (date based on residual pottery sherds)

HF641.1 H(1009), SF165a. Ninety-one iron hobnails and hobnail fragments, longest 17mm. **H(1010), SF182a.** Seventy-seven iron hobnails and hobnail fragments, many corroded into small clusters. Length of best preserved 18mm. From nailed leather footwear.

HF643/HF644: inhumation burial (H1) (Fig 64)

Description: One end of inhumation burial HF643/HF644 had been cut by a modern service trench. The surviving grave measured 2.2m by 1.44m and 0.80m deep, and was aligned east to west with the head to the east.

Human bone: Thirty-six fragments of human bone were excavated weighing 56g.

Timber coffin: A layer of dark earth in the bottom 0.23m of the grave shows that the body had been buried within a timber coffin measuring at least 1.8m long and 0.68m wide.

Burial goods: A jar (HF644.1) was found within the fill of the grave and may represent a burial good placed outside the coffin (not shown on plan).

Residual finds: Eight pottery sherds, one iron nail and twenty-nine fragments of Roman brick, tile and imbrex (10,792g).

Date: Mid/late 2nd to the 3rd century.

HF643/HF644.1 H(950). Cam 278 jar, Fabric KX (856g). Much of pot, presumed whole when buried, decorated with vertical grouped line burnish on body. Mid/late 2nd to the 3rd century.

HF645: inhumation burial (H1) (Fig 65)

Description: Inhumation burial HF645 was located within a grave measuring 1.89m by 1m and 0.25m deep, and aligned north to south. It cut through inhumation burials HF646 and HF662.

Human bone: Four fragments of human bone were excavated weighing 21g. The individual was an adult.

Timber coffin: Eighteen iron coffin nails show that the body had been buried within a timber coffin measuring approximately 0.9m by 0.40m.

Burial goods: A jar (HF645.1) had been placed at the north end of the grave, possibly outside the coffin.

Residual finds: Fifteen pottery sherds and four fragments of brick/tile (120g).

Date: Early/mid 2nd to the late 3rd/early 4th century.

HF645.1 H(974), H(975). Fig 65. Cam 268 jar, Fabric GX (463g). Mid-upper part broken into sherds, rim complete, presumed complete pot. Early/mid 2nd to the late 3rd/early 4th century.

HF646/HF652: inhumation burial (H1) (Fig 65)

Description: Inhumation burial HF646/HF652 was cut through the middle by a modern service trench and had been cut by inhumation burials HF640 and HF645. The surviving grave measured approximately 1.75m by 1.250m and 0.60m deep, and was aligned east to west.

Human bone: Seven fragments of human bone were excavated weighing 302g. The individual was an adult.

Timber coffin: Thirty-one iron coffin nails (eighteen in one half of the grave and thirteen in another) show that the body had been buried within a timber coffin measuring approximately 1.50m by 0.80m.

Burial goods: A dish (HF646/HF652.1) had been placed at the west end of the grave. Two clusters of iron hobnails (.2) show the body had been buried with, but not wearing, nailed leather footwear. Three copper-alloy fragments (.3) were also recorded.

Date: Early 2nd to the mid/late 3rd century.

HF652.1 H(988). Fig 65. Cam 40B dish, Fabric GB (316g). Complete, broken into four large pieces. Early 2nd to the mid/late 3rd century.

HF652.2 H(1023), SF158. Thirty-six iron hobnails and hobnail fragments, longest 12mm. **H(1024), SF159.** Sixty-three iron hobnails and hobnail fragments, longest 15mm. These two groups of hobnails from nailed leather footwear lay some distance apart and on different alignments within the grave pit. One group lay near the centre of the grave towards the eastern side and was aligned north-south with the toe to the south (SF158). It appears to have come from a single sole with a nailing pattern of van Driel-Murray's Type 3a, with a line of hobnails around the edge, another line only on the outside edge, and a row running from heel to toe (1995, fig. 1). The larger group lay east-west across the grave near the southern end; its nailing pattern was less well-defined but was probably the same (SF159).

HF652.3 H(1025), SF156. Three tiny copper-alloy fragments, largest 3 by 3mm.

HF647a: inhumation burial (H1)

Description: Inhumation burial HF647a was located within a grave measuring 1.55m by 0.76m and 0.47m deep, and aligned northeast to southwest. It had been cut by inhumation burial HF641.

Burial marker: Posthole HF682 cut through the northeast end of the grave.

Human bone: No human bone had survived.

Residual finds: One fragment of burnt mammal bone (7g).

Date: Roman.

HF654: inhumation burial (H1)

Description: Inhumation burial HF654 was located within a grave measuring 2.21m by 0.83m and 0.57m deep, and aligned northeast to southwest.

Human bone: No human bone had survived.

Residual finds: Three pottery sherds and nine iron nails.

Date: Mid 2nd to the late 3rd/early 4th century

HF655/HF675: inhumation burial (H1)

Description: One end of inhumation burial HF655 had been cut by a modern service trench and the upper fill had been cut by inhumation burial HF640. The surviving grave measured 1.89m by 1.02m and 0.43m deep, and was aligned east to west.

Timber coffin: A layer of dark earth 0.12m deep at the bottom of the grave shows that the body had been buried within a timber coffin measuring at least 1.23m by 0.56m.

Human bone: No human bone had survived.

Date: Roman.

HF656: inhumation burial (H1)

Description: One corner of inhumation burial HF656 had been cut by inhumation burial HF474. The surviving grave measured 1.82m by 0.86m and 0.32m deep, and was aligned north to south. It also cut through inhumation burials HF659 and HF666.

Human bone: No human bone had survived.

Date: Roman.

HF659: inhumation burial (H1)

Description: Inhumation burial HF659 was located within a grave measuring 2.10m by 0.77m and 0.78m deep, and aligned east to west. It had been cut into the upper fill of inhumation burial HF666. It is the only example in the H1 cemetery of an east-west inhumation cutting another east-west inhumation, and it is possible that the two burials are connected with each other, possibly being part of the same family. It had also been cut by inhumation burials HF474 and HF656.

Human bone: No human bone had survived.

Residual finds: Ten pottery sherds and nine iron nails.

Date: Late 2nd to the 3rd century

HF660: inhumation burial (H1)

Description: Inhumation burial HF660 had been cut through the middle by a modern service trench. The surviving grave measured 2.10m by 0.70m and 0.24m deep, and was aligned north to south with the head to the north.

Human bone: Forty fragments of human bone were excavated weighing 238g. The individual was an adult male aged 25-40 years old who probably suffered from anaemia.

Residual finds: A copper alloy earring (see Section 6.2, p82 and Fig 74)

Date: Roman.

HF662: inhumation burial (H1)

Description: Inhumation burial HF662 had been cut at both ends by boundary ditch HF633 and inhumation burial HF645. It measured 1.71m by 0.87m and 0.34m deep, and was aligned ENE-WSW.

Human bone: No human bone had survived.

Residual finds: Four fragments of Roman brick, tile and imbrex (260g).

Date: Roman.

HF663: possible burial feature (H1)

Description: Possible burial feature HF663 had been cut by inhumation burials HF641 and HF655. The surviving feature measured 0.58m by 0.41m.

Date: Roman.

HF666: inhumation burial (H1) (Fig 66)

Description: Inhumation burial HF666 was located within a grave measuring 2.52m by 1.05m and a massive 1.26m deep, and was aligned west to east with the head to the west.

Inhumation burial HF659 had been cut into the upper fill HF666. It is the only example on the H1 cemetery area of an east-west inhumation cutting another east-west inhumation, and it is possible that the two burials are connected with each other, possibly being part of the same family. It had also been cut/sealed by inhumation burials HF474, HF590 and HF656.

Human bone: Fifty-three fragments of human bone were excavated weighing 104g. The individual was an adult and possibly female.

Timber coffin: Thirty-eight iron coffin nails show that the body had been placed within a timber coffin measuring approximately 2.10m by 0.56m.

Burial goods: A beaker (HF666.1) had been placed at the west end of the grave next to the skull. Two clusters of iron hobnails (.2) to the east show that the body had been buried wearing nailed leather footwear.

Residual finds: Seven pottery sherds and two fragments of Roman brick/tile (274g).

Date: Late 2nd to the 3rd century.

HF666.1 H(70), Fig 66. Cam 392 type beaker, Fabric EZ (152g). Complete vessel, upper part broken into sherds, rim complete, base whole, orange-brown, slightly metallic chestnut colour-coat with pale buff fabric; source not identified but possibly a Nene Valley product (Fabric EA). Late 2nd to the 3rd century.

HF666.2 H(1031), SF157. Thirty-three iron hobnails and hobnail fragments, longest 16mm. **H(1032), SF184.** Sixteen iron hobnails and hobnail fragments, longest 16mm. From nailed leather footwear worn at the time of burial.

HF667: inhumation burial (H1)

Description: Inhumation burial HF667 was located within a grave measuring 1.97m by 0.70m and 0.37m deep, and aligned east to west.

Human bone: No human bone had survived.

Timber coffin: Twenty-six iron coffin nails show that the body had been buried within a timber coffin measuring approximately 1.45m by 0.50m.

Residual finds: Two pottery sherds.

Date: Mid to the late 2nd century (date based on residual pottery sherds)

HF669: possible burial feature (H1)

Description: One end of possible burial feature HF669 had been cut by a modern service trench. It was sealed by inhumation burial HF660 and possibly irregular boundary ditch 3. The surviving feature measured 1.73m by 1.31m and 0.80m deep. It was possibly the central burial associated with ring-ditch/barrow HF635, but it had the appearance of a large pit.

Date: Roman.

HF674: inhumation burial with mausoleum (H1) (Photograph 11-12, Fig 67-68)

Description: The upper fill of one end of the inhumation burial HF674 had been cut by a modern service trench. The full extent of the grave had survived below the service though and measured 2.73m by 1.4m and 1.35m deep. It was aligned west to east.

Mausoleum (Fig 67): Directly above inhumation burial HF674 was rubble platform HF668 (Photograph 11) and surrounding rubble spread HF664. They had also been cut at one end by the modern service trench, but foundation HF668 measured 1.95m by 0.9m, HF664 measured 2.22m by 1.70m, and together they were recorded to a depth of 0.55m deep. Large quantities of ceramic building material and building stone were recorded and these features probably represent the remains of a building or mausoleum erected in memory of the deceased. Two postholes on the north edge of the grave/mausoleum may also be structural features. HF673 measured 0.54m in diameter by 1.00m deep and HF676 was 0.28m in diameter and 0.72m deep.

Human bone: Twenty-eight fragments of human bone were excavated weighing 414g. The individual was an adult male aged 50+ years old. This individual had had dental problems and a misaligned healed break in the right arm. Some of the human bone was excavated outside of the coffin showing that the grave had been disturbed at some point after burial.

Timber coffin: Fifty iron coffin nails and some wood staining show that the body had been buried within a timber coffin measuring approximately 2.15m by 0.65m.

Residual finds: Four pottery sherds and one fragment of Roman brick/tile (5g).

Date: Early/mid to the late 2nd century (residual pottery sherds)

HF680: inhumation burial (H1)

Description: One end of inhumation burial HF680 had been cut by boundary ditch HF630 across the upper fill. The surviving grave measured 2.90m by 1.48m and a massive 1.45m deep, and was aligned east to west.

Human bone: Eighteen fragments of human bone were excavated weighing 22g.

Timber coffin: Seventeen iron coffin nails and some wood staining show that the body had been buried within a timber coffin measuring approximately 2.55m by 0.70m.

Date: Roman.

HF681: inhumation burial (H1)

Description: Inhumation burial HF681 had been cut by inhumation burials HF641 and HF655/HF675, and possible burial feature HF663. The surviving feature measured 1.87m by 0.58m and 0.40m deep, and was aligned northwest to southeast.

Burial markers: Postholes HF658 and HF683 were located at the southeast end of the feature.

Human bone: No human bone had survived.

Date: Roman.

HF684: possible burial feature (H1)

Description: Only part of possible burial feature HF684 was located inside the excavation area. The excavated feature measured 1.06m by 0.50m and 0.27m deep.

Finds: Six pottery sherds and four iron nails.

Date: Late 2nd to the early/mid 3rd century.

HF686: inhumation burial (H1) (Fig 69)

Description: Inhumation burial HF686 was located within a grave measuring 1.44m by 0.56m and 0.37m deep, and aligned north to south. It partially cut inhumation burial HF687 on one edge.

Human bone: No human bone had survived.

Timber coffin: Seventeen iron coffin nails show that the body had been buried within a timber coffin measuring approximately 1.20m by 0.3m

Burial goods: A beaker (HF686.1) had been placed at the north end of the coffin.

Date: 3rd century.

HF686.1 H(1044). Fig 69. Cam 407 indented beaker, Fabric CZ (198g). Whole pot, two sherds broken away from rim, one is an old break similar to ritual damage recorded pots from other Roman burial sites. 3rd century.

HF687: inhumation burial (H1)

Description: A short edge of inhumation burial HF687 had been cut by inhumation burial HF687. It also appears to have been placed up against ditch HF 633. The grave measured 1.90m by 0.93m and 0.37m deep, and was aligned northwest to southeast.

Human bone: No human bone had survived.

Residual finds: Five pottery sherds and eleven fragments of Roman brick, tile and imbrex (232g)

Date: Late 1st to the early 3rd century (date based on residual pottery sherds)

HF688: urned cremation burial (H2)

Description: Pit HF688 contained a disturbed urned cremation burial.

Cremated human bone: One hundred and forty-one fragments of cremated human bone were excavated weighing 396g.

Burial goods: A jar (HF688.1) had been used as a cremation urn.

Residual finds: One fragment of Roman brick/tile (3g).

Date: Early/mid 2nd to the late 3rd/early 4th century.

HF688.1 H(1046). Cam 268 jar, Fabric GX (BSW) (699g). Base and part of lower wall complete, upper part broken into sherds, much of rim and one side missing. Early/mid 2nd to the late 3rd/early 4th century).

HF689: inhumation burial (H2)

Description: Inhumation burial HF690 was not fully excavated.

Human bone: No human bone had survived.

Residual finds: Eight pottery sherds, one iron nail and one fragment of limestone (172g).

Date: Early/mid 2nd to the mid 3rd century (residual pottery sherds).

HF690: inhumation burial (H2)

Description: Inhumation burial HF690 was not fully excavated.

Human bone: No human bone had survived.

Date: Roman.

HF691: inhumation burial (H1)

Description: Inhumation burial HF691 was identified during post-excavation analysis from a concentration of coffin nails originally believed to have come from HF548. Cut into the top of HF548, it measured roughly 1.27m by 0.78m and 0.50m deep, and was probably aligned northeast to southwest.

Human bone: No human bone had survived.

Timber coffin: Thirty-two iron coffin nails show that the body had been buried within a timber coffin.

Date: Roman.

Appendix 2 Catalogue of prehistoric pottery

Context	Finds no	Description	Fabric	Surface colour	Qt	Wt/g	abr	Date
HF2, modern disturbance	4		C	re	1	3	*	
	16		C		1	10		
				B		3	30	
HF5, urned cremation	9		C		2	11		
HF6, urned cremation	18	Base, more gritting on underside	B	re grey	1	8		PDR
HF10, inhumation	15		B		1	18		
HF14, ditch	29		B		1	5		
HF15, inhumation	33		C	ox	1	6	*	
HF19, inhumation	37		C	ox	1	5		
			B	ox	1	4		
			H	ox	1	9	*	
HF21, inhumation	9		C	re	1	3		
	81		E	re	1	8	*	
HF33, disturbed burial feature	60	Jar/bowl rim with steep internal angle/carination	E	re	1	2		LBA/EIA
HF36, inhumation	77		B	ox	1	8		
HF46, ditch	106		B	re	1	7		PDR
HF50, inhumation	94		A	ox	1	8		
HF51, inhumation	092		B	ox buff	1	4		
HF72, unurned cremation	139		B		1	4		
HF81, inhumation	152		E		1	4		
HF105, inhumation	220	Shoulder, plain (undecorated)	C		1	37		LBA(?)
HF128, inhumation	280		B	ox	1	8		
HF156, pyre	343	Dark grog with sparse fine flint & sand, coarse feel, abraded surface	M	re	1	5	*	IA?
HF161, inhumation	344		B	re	2	11		
		Thick, sandy abraded sherd, poss some grog, one wide finger ?pinch decoration	M	ox	1	49	*	MBA?
		Indications of raised surface area, poss from a lug or handle scar(?), possibly some grog	B	re	1	18	*	MBA?
HF166, possible burial feature	360		D		1	6		
HF169, urned cremation	502		D		1	11		
HF172, inhumation	383		C	ox	3	25		
HF176, inhumation	392	Line of (3) finger tip & nail impressions, prob on shoulder area grog-tempered, moderately thick, poss part of an urn	M	ox	1	8		MBA?
HF177, inhumation	442		B	ox	1	4	*	
HF188, bustum	440		B	ox	1	3		
HF191, inhumation	458		B	re	1	2		
			B	re	1	4		
HF209, urned cremation	528		B		1	11		
HF210, inhumation	572	Thick sherd	M	ox	1	28		BA? urn?
HF219, urned cremation	551		B		1	4		

Context	Findings no	Description	Fabric	Surface colour	Qt	Wt/g	abr	Date
HF268, unurned cremation	566		E		1	3		
HF269, inhumation	560		B		1	8		
HF272, inhumation	562	Thickish sherd	C	ox	1	11		
HF280, prehistoric pit	570		D	ox	1	4		
			C	ox	2	6		
		Thin, fineware(?) sherd	B	re	1	1		PDR?
HF284, urned cremation	591		E	re	1	3		LEIA?
	595		C	ox	1	3	*	
HF298, pit	607	Fragment	C	re	1	1		
HF302, inhumation	625		D		1	3		
HF308, inhumation	637	Small rim sherd, upright, flat top, slight depression suggests finger tip impressed decoration to rim top	B	re	1	2		PDR LBA/IA
HF353, inhumation	710	Thick sherd, large pot, finger wiped surface	D	ox	1	46		BA?
			C		1	16		
HF372, pit containing pyre debris	729		B		1	4		
HF377, inhumation	732		B		1	5		
HF379, pit containing pyre debris	736	Thickish sherd	B	ox	1	4		
			C	ox	1	8		
HF384, prehistoric pit	652	Large jar, joining body sherds toward base, grey fabric, uneven finish, possibly burnt at base, vertical finger-wipe marks on surface	C	Re grey	3	156		LBA?
		Smoothed surfaces	E	re	1	5		IA
		Smoothed, black surface	C	Re black	1	10		preh
		Grey fabric	C	Re grey	1	8		preh
		Laminated surface sherd	B	ox	1	9		preh
HF392, inhumation	670		B		1	5		
HF399 sx1, ditch	759		B		1	24		
HF399 sx2, ditch	763		B		1	5		
HF399 sx3, ditch	760		C		1	16		
HF399 sx5, ditch	868		B	re	1	9	*	
HF400, inhumation	735	base	B		2	15		
HF407, pit containing pyre debris	752		C		1	14		
HF411, prehistoric pit	688	Rim base and body sherds, probably all same pot, simple flaring rim and densely gritted flat base, flint well embedded into fabric	B	re/ox	71	1612		LBA
		Rim sherds, flat topped, simple, slightly expanded rim	B		4	53		
		Sanded base, body sherds, more than one pot	B		21	397		
HF419, ditch	765		E		1	25		PDR (EIA?)
HF492, inhumation	791	Rim, simple, flaring, flat top	B		2	11		
HF517, inhumation	821		A		3	13		
			C		1	4		
HF549, inhumation	813		D		1	3		
HF558, ditch	875		B		1	6		

Context	Finds no	Description	Fabric	Surface colour	Qt	Wt/g	abr	Date	
HF575, urned cremation	887	Small sherds	A	ox	2	2			
HF615, prehistoric pit	928		B	ox	1	9		PDR	
HF630, ditch	945		C	ox	2	11			
		Flat base corner	C	Re grey	1	4			
HF642, ditch	969		Q	ox	2	16	*		
HF667, inhumation	1019	Rim sherd, simple out turned rim (rim edge slightly flattened) from restricted mouth bowl or jar, smoother body surface	C	re	1	12		LBA	
HF674, inhumation	1034		C	ox	1	11		preh	
L4, subsoil	148		C		3	21			
	336		D		1	8			
				C		2	10		
		Small bowl, rim, simple, flaring	A		1	5		LBA	
	545		B		1	9			

Appendix 3 Catalogue of Roman and post-Roman pottery (all from Roman features unless otherwise stated)

Key to Roman burial features: BU=bustum; DBF=disturbed burial feature; FDA=foundation; G=inhumation; PD=pit with pyre debris, PBF=possible burial feature; UC=urned cremation; UNC=unurned cremation

Context	Finds no	Description	Fabric	Form	Qt	Wt/g	Finds spot dating	
HF1, modern pit	3	(peg tile pieces)	GX		3	12	p-med	
HF2, modern disturbance	4		GX		1	1	Rom	
	42	(1@ 463g) Fabric GX Cam 281, broken pot, buried whole, base and body sherds, part of neck & rim	GX	Cam 281	1	463	M/L2-4C	
HF3, UC	11	Fabric GB, Cam 40B, part pot, small dish/bowl found inside cremation urn, part complete with two loose sherds, some old breaks showing was not whole when put into cremation urn	GB	Cam 40B	1	70	M2-M3C	
		Fabric GX Cam 231/232, most of vessel present as sherds, rim and base incomplete	GX	Cam 231/232	1	1246	M1-2C	
		Fabric GX Cam 231/232 large narrow necked jar, broken pot, buried whole, base and body sherds, part of neck, rim missing, faint girth groove	GX	Cam 231/ 232	1	1704	M1-M/L2C	
		Fabric GB, Cam 40B base and rim sherds, found with cremation urn, residual?	GB	Cam 40B	4	22	E/M2-L3C	
	16			CZ		3	8	M2-E3C
		roughcast		EA		1	5	E-M3C
				GX	Cam 218	13	59	Rom
HF4, UNC	6		BXEG	Dr 37	1	4	M2-M3C	
			BAEG		1	6	M2-M3C	
			AJ		1	7	M1-2/E3C	
HF5, UC	8	Fabric GX, Cam 227, much of pot, lower part complete, upper part broken into sherds with some sherds, inc some rim sherds, missing, abraded	GX	Cam 227	1	280	Neronian-E2C	
	9		GX		6	93	Rom	
HF6, UC	18	Inc large jar rim in greyware	GX		4	45	2-4C?	
		Fabric GX(BSW) Cam 231/232, most of pot, quite broken-up, part of rim missing, poss other sherds also missing.	GX	Cam 231/232	1	1278	M1-2C	
			GX		4	46	Rom	
HF7, posthole	12		DJ		1	9	Rom	
			GX		3	32	Rom	
HF8, pit	14		21A		1	3	Medieval, 14-16C	
HF9, modern service	286		GX		4	64	Rom	
HF10, G	15		DJ		17	53	M1-2C	

Context	Finds no	Description	Fabric	Form	Qt	Wt/g	Finds spot dating
			GX		12	77	Rom
			BACG		1	4	2C
	17		GX		1	4	Rom
HF11, UNC	21		GX		1	9	Rom
			DJ		2	7	M1-2C
HF13, G	27		GX		2	5	Rom
HF14, ditch	29		GX		23	110	M1-2C
			DJ		1	12	M1-2C
HF15, G	33		GX		15	94	Rom
		abraded	DJ		2	5	M1-2/3C
		Fine sandy brown fabric, abraded	HAD?		1	5	2-4C
HF17, G	34		CZ		2	7	M2-3C
			GX		1	2	Rom
			DJ		3	10	M1-2C
HF18, G	40		RCW		2	55	M1-E2C
		abraded	DJ	Cam 155	1	5	M1-L1C
			GX		53	291	M1-E2/2C?
HF19, G	37		DJ		2	18	M1-2/3C
			GX		4	49	Rom
			GX (BSW)		3	15	Rom
			HZ		1	19	M1-2/3C
	39	Fabric GX, jar Cam 218 near complete, presumed whole when buried, one half of pot broken into sherds, most of rim detached as sherds (EVE 0.45)	GX	Cam 218	1	299	M1-E2C
	55	Fabric GX, small narrow necked jar/flask, Cam 280, whole, possibly a miniature vessel, squat body with small cordon at the base of the neck, grey abraded surfaces, a small sherd has recently become detached from the rim edge (sherd with vessel)	GX	Cam 280	1	162	M/L2-4C
HF20, G	43	Fabric GX, Cam 104 type in moderately thick, sandy coarseware, near complete, broken into several large sherds, small jar/beaker	GX	Cam 104	1	263	M1-L1C
	509		GB	bowl	1	21	M2-3C
			GX	jar	2	96	Rom
HF21, G	81		DJ	flagon	2	20	Rom
			GX		50	268	Rom
			CZ		1	2	Rom

Context	Finds no	Description	Fabric	Form	Qt	Wt/g	Finds spot dating
HF22, PD	52		DJ		5	168	M1-2C
			GX	Cam 268	2	7	M2-L3/E4C
HF25, posthole	48		GX		1	1	Rom
HF26, posthole	49		GX		1	9	Rom
HF27, post-Roman pit	50	Fabric DJ, Cam 156 flagon, part vessel, from a pit but almost certainly a displaced grave pot	DJ	Cam 156	1	279	2C
			GX	Cam 268	18	226	M2-L3/E4C
			HZ		1	67	M1-3C
			GB	Cam 40B	1	5	M2-3C
HF28, ditch	54		DJ		4	17	Rom
			GX		6	43	Rom
HF29, PD	57		DJ		5	21	Rom
HF30, PD	61		GX		2	6	Rom
			DJ		3	8	M1-2/3C
HF32, PD	72		DJ		11	31	M1-2/3C
			GX		7	35	Rom
		Burnt frag poss samian	BACG?		1	2	2C?
			GB	Cam 39	1	8	M2-3C
HF33, DBF	60	Fabric GX, jar base found with broken cremation pot, poss not associated as no other sherds from this vessel present	GX	jar	1	122	Rom
		Fabric FJ, sherds from one pot	FJ		6	101	M1-M2C
		Fabric GX, sherds from one pot	GX		4	23	Rom
		Fabric GX (BSW) Cam 231/232, part of pot, sherds missing from rim, body & base, presumed whole when deposited, lattice decorated on shoulder bulge, back surface	GX	Cam 231/232	1	382	M1-2C
HF35, PD	80		GX		3	17	Rom
			BASG		1	1	Rom
			DJ		1	1	Rom
HF36, G	77	burnt	BASG		1	2	M-L1C
			CZ	Cam 391	1	1	E/M2-E3C
		abraded	CZ	Cam 406?	2	2	L2-M3C
		Much of the lower part of a flagon? abraded	DJ		38	515	M1-2/3C
			BASG		1	1	M-L1C

Context	Finds no	Description	Fabric	Form	Qt	Wt/g	Finds spot dating
	97		DJ		3	6	Rom
HF37, PD	84	Folded beaker	CZ	Cam 407	1	6	M/L3-4C
			DJ		8	13	Rom
HF38, PD	82		GX		1	5	Rom
HF40, PD	109		DJ		9	57	Rom
		Inc Cam 268	GX		4	43	M2-L3/E4C
		Frilled rim	MQ		1	16	Rom
HF41, PD	114		DJ	Cam 155	1	17	M1-E/M2C
		bowl	GA	bowl	1	4	M2-3/4C
HF45, PD	98		MQ		1	3	Rom
			GX		3	4	Rom
			DJ		1	2	Rom
HF46, ditch	106	Prob Dr 44 with curving wall (or poss Dr 37)	BACG	Dr 44	1	11	M-L2C
HF47, PD (F107)	65	burnt	DJ		14	22	M1-2/3C
			CZ		1	1	E/M2-3C
			GX		24	55	Rom
	88	Base sherd from a platter/dish, burnt, appears CG (otherwise poss MDV burnt)	BACG		1	21	E/M-L2C
	90		DJ		1	2	Rom
113	Collared flagon	DJ		1	13	M-L1C	
HF48, G	101		DJ		9	49	Rom
			GX	Cam 268	43	308	M2-L3/E4C
		Large sherd with ovolo & part decoration	BAMV	Dr 37	1	39	E2C
HF50, G	94	Inc Cam 243-44/246	GX	Cam 243-44/246	3	54	M1-E/M2C+
			CZ		2	10	E/M2-3C
	96	Large platter, abraded abraded Rim, thin walled	BASG		1	15	M1-L1C
			DJ		2	3	M1-2/3C
			GTW		1	2	E-M1C
HF51, G	92	Prob most or all from one pot	DJ	Cam 156	19	95	E2-E3C
			GX			3	Rom
			GX	Cam 268	1	26	M2-L3/E4C
				Cam 268	2	76	M2-L3/E4C
				Cam 279A	2	18	E2-L2C
HF52, PD	116		ON	beaker	4	15	2-3C
			DJ	flagons	27	66	M1-2C

Context	Finds no	Description	Fabric	Form	Qt	Wt/g	Finds spot dating
HF53, gully	112	Thin tile			1	4	Rom
			GX		1	4	Rom
HF54, PD	126	Small jar/bowl rim	GX		3	13	Rom
			DJ		2	5	M1-2/3C
HF55, ditch	120		CZ		1	6	M/L2-3C
		Roller stamp surface	GX		5	41	3C
			DJ		3	2	M1-2C
HF56, G	524		FJ		1	60	M1-E/M2C
			DJ		10	18	M1-2C
HF57, G	124	frags	DJ		4	3	Rom
	132	Much of one pot	GX	Cam 268?		423	M2-L3/E4C
			GX		4	25	Rom
HF58, G	135	Red oxidised coarseware	DJ		1	9	Rom
		Red oxidised coarseware, part pot, poss oxidised GX jar, displaced(?), abraded	DJ		15	450	Rom
			DJ		5	37	Rom
			GX		32	243	Rom
HF66, UC	129	Base of jar, some of upper body (sherds), 2 rim sherds, poss Cam 268	GX	jar		488	Rom (2-3C?)
		Miniature jar Cam 278 (lattice decorated) broken, almost complete	GB	Cam 278	1	75	E/M2-M3C
		Small/miniature flagon with (cupped) plain rim, cream slip over oxidised body, much of pot present but much in sherds/ frags, base near complete and pot presumed whole/complete when buried, see CAR 10 DJ Type 100 (flagon with cupped plain rim)	MQ/ DJ	flagon	1	83	2C-3C
HF67, UC	132	Base and lower part of pot wall (joining sherds) from a medium size greyware jar (Fabric GX)	GX		1		M1-2C
		Several pottery sherds inc a Cam 108 beaker	DJ				Rom
HF68, G	131		EA		1	4	E/M3-4C
			GX		1	4	
	133	abraded	AA?		1	98	M1-M2C
			GX	Cam 227	8	60	M1-E3C
HF69, G	289		DJ	jar	7	196	M1-2C
			DJ		4	28	Rom
			GX		25	194	Rom
HF71, pit	134	Prob all Rom	GX		7	74	Rom

Context	Finds no	Description	Fabric	Form	Qt	Wt/g	Finds spot dating
			DJ		2	10	M1-2/3C
HF72, UNC	136	Miniature jar following form Cam 266 in pale grey fabric, deep foot to base, broken, much of pot whole with one large detached sherd and several smaller frags, about 25% of pot missing, presumed complete or whole when buried	GX	Cam 266	1	92	M1-E2C
HF73, PD	141		DJ		5	22	M1-2C
			GB	Cam 278	2	18	M2-E3/3C
			KX	Cam 278	1	31	M2-E3/3C
			GX		12	60	Rom
HF74, PD	143	Fabric DJ (2@ 14g), Fabric DJ with red slipped? surface and micaceous fabric (1@ 2g); Fabric GX, Cam 268 (9@ 155g) M2-3C; Fabric GB Cam 278 (4@91g) body sherds; Fabric GX misc sherds (26@ 156 g); Fabric GX (BSW) misc sherds (10@ 48g) inc jar rim; Fabric MQ (1@ 3g)	misc			M2-L3/E4C	
HF75, PD	145		DJ		3	5	M1-2C
			GB	Cam 278	2	38	E/M2-E/M3C
			GX		12	99	Rom
HF76, UC	140	Fabric FJ			2	33	M1-M2C
		Fabric GX, Cam 218 (broken into sherds) presumed whole when buried	GX	Cam 218	1	1015	M1-E2C
HF79, DBF	173	Not joining	GX	Cam 243-244/246	7	193	M1-E/M2C
HF80, DBF	153	Jar base joining sherds	GX		4	158	Rom
HF81, G	151	Fabric DJ; Fabric GX Cam 268 jar (different to burial pot)	DJ	Cam 268	28	266	Rom
	152		AJ		1	164	M1-2/3C
			BACG		1	15	2C
			DJ		6	9	Rom
			GX	Cam 268	22	345	M2-L3/E4C
			GB	Cam 37A	1	15	M2-E3C
	284	Fabric GX Cam 268 jar, rim complete, base and lower body single large sherd, found broken at side of grave	GX	Cam 268	1	1055	M2-E4C
HF82, G		GX		1	3	Rom	
HF83, UC	170	Sparse grog (RCW)	GX		1	2	1C
		Joining sherds	KX	Cam 278	8	138	M2-M3C
HF84, PD	155	Misc inc Cam 156	DJ	Cam 156	8	25	E/M2C-E3C
			GX		1	3	Rom
HF90, PD	182	Friiled rim sherd	DJ	Tazza	1	3	M1-2C
		Flagon body sherds (thin-medium), prob from more than one vessel, includes some base pieces, poss heat affected	DJ	Flagon (s)	136	580	M1-2/3C
		Flagon sherds (medium-thick) inc some base pieces, poss heat affected	DJ	flagon	61	833	M1-2/3C

Context	Find no	Description	Fabric	Form	Qt	Wt/g	Find spot dating
		Thick sherds from an amphora, poss heat affected	AA	amphora	9	191	M1-M2C
		Small sherd from a greyware base	GX	Jar?	1	12	Rom
HF91, PD	70	fragments	GX		30	50	Rom
	168		DJ		1	11	M1-2C
HF92, PD	177	Fabric DJ, flagon? Base (4 @ 50g), burnt with coarse sandy feel to fabric, similar to Verulamium region but fabric does not appear to be Ver.	DJ	flagon	4	50	M1-2C
		Fabric BA(CG) Dr 18/31 base (1@ 17g) burnt.	BA(CG)	Dr 18/31	1	17	E-M2C
		Fabric DJ Cam 155 (61@ 289g) base & body sherds, neck ring flake sherd, prob all same flagon, some discoloured by heat/charcoal	DJ	Cam 155	61	289	M1-M2C
		Fabric DJ (2@ 10g) thick sherds prob from a large flagon	DJ	flagon	2	10	M1-2C
		Fabric GX (11@ 26g) sherds from 4+ pots, one with scorched oxidised surface	GX		12	37	Rom
		Fabric GX (1@ 26g) rim sherd, pos cam 268	GX		1	26	M2-E4C
		Fabric GX (1@ 7g) rim sherd	GX		1	7	Rom
		Fabric DJ (1@ 3g) sandy red fabric	DJ		1	3	Rom
		Fabric GB, Cam 40B (1@ 5g)	GB	Cam 40B	1	40	M2-3C
HF93, PD	185		DJ		1	2	M1-2/3C
HF94, PBF	171		GX		1	8	Rom
HF95, PD	196		DJ		1	5	M1-2C
HF96, G	227	Fabric GX (pale silty grey fabric) jar, whole, small bi-conical, thick walled vessel with small pedestal-like base, rim very chipped, large flake of body surface missing on lower body on one side (prob resulting from the firing) with some surface cracks extending from it, miniature vessel (jar), similar to CAR 10 fig 6.26 751	GX	Miniature jar	1	84	Rom ?M1-3C
	262	Fine, faint pinkish-white and pale green-grey fabric, from a closed form, poss german import	RHL WH		1	7	Rom
		Includes unquentaria, includes burnt sherds	DJ	Cam 155 Cam 389	96	421	M1-2C
		Burnt sherds	GX		103	656	Rom
		burnt	BASG?		2	12	M-L1C
			BAEG		1	5	M2-M3C
		burnt	BAEG?	Dr 46	1	6	Rom
			BASG	Dr 36	2	15	Rom
			DZ	beaker	1	5	L2-3/4C
HF98, posthole	186		DJ		1	155	Rom
HF99, G	188	burnt	BASG		1	10	M-L1C
			AA		3	48	M1-2C

Context	Finds no	Description	Fabric	Form	Qt	Wt/g	Finds spot dating
			DJ		76	330	M1-2C
			GX		18	105	Rom
			GB	Cam 37B, Cam 40A;	6	77	L2-3C
	243	Fabric CZ, Cam 407 beaker, part vesel, found as sherds at one end of grave	CZ	Cam 407	1	259	M3-4C
HF99/ F100	189		BACG		1	21	Rom
			BCEG		1	3	Rom
			DJ	flagon	20	83	Rom
			GX	Cam 198	24	120	Rom
		Folded beaker	CZ	beaker	1	4	M/L2-3C
			EA	beaker	1	5	E/M3-4C
HF100, PD	190	Badly burnt with grey micaceous fabric, CG?	BACG	W 79	1	4	M/L2C
		Burnt, footring, orange surface	BAEG		1	4	M2-M3C
		Burnt	DJ	Cam 155	1	3	M1-E/M2C
		Burnt	DJ	Cam 156	1	8	E2-E3C
		Burnt	GP	Cam 122/123	1	4	L1/E2-E3C
		Burnt	DJ		13	52	M1-2/3C
		Burnt	GX		4	13	Rom
		Burnt? beaker rim, poss GP	GP		1	2	L1-2C
		Burnt? beaker rim, poss greyware	GX	Cam 392	1	2	M/L2-M3C
		Burnt, rounded rim	GB	Cam 37B	1	12	L2-M/L3C
		Burnt	GB		1	4	M2-3C
HF101, PD	199		GX		4	12	Rom
	266		GX		3	27	Rom
HF102, PD	193		GX		3	7	Rom
		rim	DJ	Cam 156	2	7	E2-E3C
HF103, posthole	200		GX		1	4	Rom
HF105, G	220		DJ		5	18	Rom
			GB	Cam 37A	1	6	M2-E3C
			GX	Cam 268	28	253	M2-L3/E4C
	221		GX		1	5	Rom
HF107, PD (HF47)	211	burnt	BACG	Dr 18/31 or 31	1	11	E/M2-L2C
		burnt	DJ		7	11	M1-2/3C
			GB	Cam 37B	1	17	L2-3C
		burnt	GX		7	10	Rom

Context	Finds no	Description	Fabric	Form	Qt	Wt/g	Finds spot dating
	228	Dr 18/31 or 31	BACG	Dr 18/31 or 31	1	5	E/M2-L2C
			DJ		4	10	M1-2/3C
			GX		4	11	Rom
HF108, posthole	200	Roman pottery	GX		3	5	Rom
HF109, PD	204		GX		7	42	Rom
			EA	beaker	1	1	M3-4C
			MQ		1	2	Rom
			GB	Cam 40B	1	17	M2-3C
HF110, PD	207	Frilled rim jar	GX		2	22	Rom
			DJ		2	36	Rom
HF111, PD	214		GX		5	17	Rom
HF112, PD	222	One sherd burnt	DJ		28	27	Rom
			GB	Cam 37B	1	4	L2-3C
			CZ	Cam 391	1	2	E/M2-E3C
			GX		5	15	Rom
			HZ		1	45	Rom
HF113, PD	237	Burnt ?EG	BA(EG)		1	7	M2-M3C
			GX		6	12	Rom
			DJ		4	6	M1-2/3C
			FJ	Sandy fabric, burnt FJ? But not usual fabric	1	4	M1-E/M2C?
HF115, PD	246		GX		1	6	Rom
HF117, pit	292		DJ		2	4	M1-2/3C
			GX		1	1	Rom
HF118, posthole	232		DJ		1	2	M1-2/3C
HF119, posthole	233		GX		1	3	Rom
HF120, PD	234	burnt	GX		1	3	Rom
			DJ		2	6	M1-2/3C
HF121, PD	256		GX		2	9	Rom
HF123, G	273		DJ	Cam 198	35	207	M1-2C
			GX		50	441	Rom
			GB	Cam 37B Cam 39	2	27	L2-3C
			GA	Cam 279	1	14	M3-4C

Context	Finds no	Description	Fabric	Form	Qt	Wt/g	Finds spot dating	
			BAEG		1	5	M2-M3C	
HF124, pit	253		DJ		7	30	Rom	
			CZ		1	2	M2-3C	
			GX		4	13	Rom	
HF125, G	259		BACG	Dr 31	1	34	M-L2C	
	428		GA	Cam 303	2	77	E/M2-E3C	
			AA		2	43	M1-2C	
			DJ		4	24	M1-2/3C	
		misc	GX(BSW)		18	130	Rom	
		Stab dec, prob all same pot	GX(BSW)	Cam 108	7	84	M1-E2C	
			GX	Cam 268	9	165	M2-L3/E4C	
		Cup mouth flagon, cream slip, brownish-red fabric	MQ	Cam 156	1	13	E/M2-E/M3C	
		Fabric DJ, complete(?) broken flagon, plain cup mouth with cordon at base of cup, either displaced from earlier burial or broken grave pot	DJ	Flagon	1	280	2-?3C	
	492	misc (Cam 108, Cam 268)	GX	Cam 108 Cam 268	14	152	M2-L3/E4C	
			DJ		2	12	M1-2/3C	
		Thick handle, poss German import?	RHL WH		1	21	M1-2/3C	
		Fabric DJ, Cam 178 jar, part profile, three joining	DJ	Cam 178	5	166	Claudio-Neronian	
	HF126, G	260	base	GX	jar	2	140	Rom
Jar base			GX		2	140	Rom	
276		Misc 3-4 pots	DJ		20	93	M1-2/3C	
			DJ	Cam 155	1	9	M1-M2C	
			DJ	Cam 198	1	7	M1-2/E3C	
		Misc 4-5 pots+	GX		64	324	Rom	
		Acute lattice	GB	Cam 278	1	36	M2-M3C	
			GX	Cam 243-244/246	1	10	M1-E/M2C	
		plain	GB	Cam 37B	1	20	L2-M/L3C	
323				EA	beaker	1	1	M3-4C
				GB		1	7	M2-M3C
				GX		1	2	Rom
				DJ		59	257	Rom
				GX		204	1477	Rom
				ON		2	23	Rom
				CH		1	3	Rom

Context	Finds no	Description	Fabric	Form	Qt	Wt/g	Finds spot dating	
			TZ	Cam 501	2	66	Rom	
		Folded beaker	CZ	beaker	2	9	M/L2-3C	
			GB	Cam 40 Cam 37B	5	82	Rom	
			BAEG	Dr 45	1	11	L2-M3C	
		Complete potters stamp central to base, CATVSF , Catus iii, Rheinzarbern, die 4-a dated AD 160-210 (Hartley & Dickinson 2008, 302)	BAEG	Dr 33	2	76	AD 160-210	
	1053			BACG		1	2	2C
				BAEG		1	2	M2-M3C
				GX		71	624	Rom
		most from one pot	DJ		52	326	Rom	
			GA	Cam 303	2	69	E/M2-E3C	
			AA		2	43	M1-M2C	
			DJ		4	23	M1-M2/3C	
			MQ	flagon	1	14	2C?	
	1054			GX	Cam 108	31	384	M1-2C+
				BAEG	Dr 33?	1	4	M2-M3C
				GB	Cam 37A	1	5	E2-E3C
			BAEG	bowl	1	4	M2-M3C	
			GB	Cam 37A	1	6	L2-3C	
HF127, PD	247		GX		2	4	Rom	
		Folded beaker, off white fabric	EA	beaker	1	6	M3-4/4C	
HF128, G	280	Sooted exterior	GX (BSW)		2	9	Rom	
		Misc. Inc Cam 268	GX	Cam 268	4	19	M2-L3/E4C	
HF129, DBF	271		GX		14	155	Rom	
	308		DJ		6	27	M1-2/3C	
			AJ		15	350	M1-2C	
HF130, PD	264		DJ		2	12	M1-2/3C	
HF133, G	265	abraded	BACG		1	3	2C	
			FJ		2	13	M1-E/M2C	
			DJ		4	17	M1-2/3C	
			KX	Cam 278	1	4	M2-3C	
			CB		1	3	E/M2-M3C	
		Inc Cam 268	GX	Cam 268	5	34	M2-3C	
HF136, UC	281	Fabric GX, Cam 268, near complete, one side of body broken as two joining large sherds, approximately 50% of rim missing	GX	Cam 268	1	920	M2-E4C	
	282	Fabric DJ flagon, very broken-up (190 sherds), base and body wall with handle scar, probably whole when buried	DJ	flagon	190	202	M1-2C	

Context	Finds no	Description	Fabric	Form	Qt	Wt/g	Finds spot dating
	290	abraded	GX		1	3	Rom
HF137, UC	287	Fabric GX, Cam 268, sherds from upper part of pot, base missing, many joining sherds	GX	Cam 268		280	M2-E4C
HF138, G	306		GX		1	8	Rom
HF139, UNC	379	Fabric AJ, D20, sherds and sherd flakes, some appear poss scorched/burnt	AJ	D20	30	561	M1-2C
		Fabric GX, 1 sherd	GX		1	10	Rom
		Fabric DJ, large flagon Cam 143/144, beaded rim with small cordon below, prob all sherds SV, 3 rib handle, small rim frag, part of neck, body sherds	DJ	Cam 143/ 144	68	291	M-L1C
		Fabric DJ rim from a collared flagon	DJ	Cam 140	1	5	M-L1C
		Fabric DJ rim from a collared flagon with cordon below rim, Cam 143/144	DJ	Cam 143/144	2	15	M-I1C
		Fabric DJ sherds from 2 handles and body sherds from one or more flagons?, no base sherds	DJ		52	252	1-2C
		Fabric AJ, body sherds and base knob only (no handles or rim), shome sherds probably burnt or scorched	AJ(1)		184	7000	1-2C
HF141, UC	312	Jar/bowl base in hard, dark fabric, burnished surface, Fabric UX?, found with broken sherds in top of urn	UX		1	25	2/3-4C
		Fabric GX, Cam 268 jar, whole, part of rim and shoulder broken away on one side, rim complete, double groove below rim	GX	Cam 268	1	1249	M2-L3/E4C
	313		DJ	flagon	5	96	M1-2/3C
			GX		3	20	Rom
HF143, G	299		RCW		1	7	Rom
			GX	Cam 268?	1	10	M2-L3/E4C
			GX (BSW)		2	8	Rom
	300		GX		1	8	Rom
HF144, G	320	Cam 156 cupped ring-neck flagon in buff fabric (Fabric DJ), whole pot (276g). Fairly small example of this form. Hadrianic-early 3rd century	DJ	Cam 156	1	276	Hadrianic-E3C
	321	Fabric CZ, Cam 391 beaker, whole, small, brown colour-coat, abraded around rim	CZ	Cam 391	1	58	E-M 2-L2/E3C
	322	Fabric CZ, Cam 406 folded beaker, whole, small, very small perforation just below shoulder, brown colour-coat, abraded, several angled scored lines in surface on one side appear to be covered by the colour-coat and suggest manufacturing defects	CZ	Cam 406	1	69	L2-M3C
HF145, G	310		HZ	Cam 273	3	177	M1-2C
			DJ		6	6	M1-2C
			GX		5	24	Rom
	533		GX		1	5	Rom
HF146, PBF	314		HZ		4	58	M1-2/3C

Context	Finds no	Description	Fabric	Form	Qt	Wt/g	Finds spot dating
			GX		1	3	Rom
		Stamp on Dressel 20 handle C.SEMPPOLC [Callender (1965) catalogue number 472 C. Sempronii Polycliti, Funari (1996) catalogue number 321 C()Semproni Polycliti. Stamps of this group appear at Sheepen (Hawkes & Hull 1947, fig. 45 no. 18 & Sealey 1985, plate 4). The stamps of this group are generally dated to the Claudian-early Flavian/Flavian period	AJ	Dr 20	1	237	M1-L1C
HF148, UNC	318	Inc tazza rim	DJ		11	24	M1-2C
			GX		4	16	Rom
HF150, UC	331	Fabric GX, Cam 268 jar, whole pot (detached fitting rim sherd from sp 3 inside), part of rim and shoulder missing, about 75% of rim present, base foot underside had detached from pot and is missing	GX	Cam 268	1	968	M2-L3/E4C
HF151, G	330	Flagon, whole (some pressure cracks), unique form marrying a barrel like body resembling a costrel (groups of grooves around top and lower body) with a handled cup mouth flagon with single groove, from similar to Cam 156 which is dated Hadrianic-early 3C. Abraded surfaces with sand adhering, fabric faintly greenish cream (Fabric DJ). Some poss similarity to some glass forms	DJ	flagon	1	594	E2-E3C?
	404	Fabric GX (BSW), part base and a few body sherds	GX		1	83	Rom
	415	Fabric GX, jar Cam 266? part of pot, abraded	GX	Cam 266?	12	444	M1-E2C?
		misc	GX		6	47	Rom
HF152, G	333		DJ		14	48	M1-2/3C
		Inc. Cam 268 (poss broken grave pot?)	GX		20	368	M2-L3-E4C
	346	Inc folded beaker	GX		9	33	L2-3/4C
			DJ		4	12	M1-2/3C
			HZ		1	18	Rom
		Burnt frag poss samian	BACG?		1	8	2C?
		Cam 40B	GB	Cam 40B	1	10	M2-M3C
		Lid seated jar	GX		1	7	
HF154, UC	369	Fabric GX Cam 268, large (1674g), whole pot, broken into sherds, presumed complete when buried, approximately 60% of rim, distinct quartz sand in fabric	GX	Cam 268	1	1674	M2-L3/E4C
		Fabric HZ, three joining sherds from inside cremation pot, exterior sooted, possibly burnt	HZ		3	88	M1-2C
		Fabric GX Small abraded greyware sherd form inside cremation pot	GX		1	2	Rom
HF156, pyre	343	Base sherds from miniature pot?	DJ		6	13	M1-2/3C
			GX		1	6	Rom
	426		GX		2	8	Rom

Context	Finds no	Description	Fabric	Form	Qt	Wt/g	Finds spot dating
HF157, PBF	349		DJ		4	8	M1-2/3C
			GX		5	22	2-4C?
HF158, G	350		DJ	flagon	15	132	M1-2/3C
			GX		12	150	Rom
HF159, UC	339	Fabric GX, Cam 221, part pot, broken, clearly most of base & body, but much of shoulder and neck missing apart from one large sherd	GX	Cam 221	1	902	M1-E2C
		Recovered with cremation pot	DJ		5	20	M1-2C
	340		DJ	flagon	18	106	Rom
		All one pot?	GX		20	210	Rom
	341		DJ		1	5	M1-2/3C
			GX		1	2	Rom
HF160, G	377	burnt	BACG	Dish/ bowl	1	3	Rom
		Burnt, closed form, prob an inkwell	BASG		1	8	M-L1C1
			CZ		2	6	M2-3C
			AJ		1	186	Rom
			DJ		43	161	Rom
			GB	Cam 40B	1	5	M2-3C
			GX		110	524	Rom
			BACG	Dr 31?	1	4	M-L2C
HF161, G	338	Fabric DJ, base and mid-upper body of flagon, some sherds recently broken away (345g)	DJ	flagon	1	345	M1-2C
		Fabric GB, Cam 328, whole, acute lattice decoration, possible faint traces of sooting on exterior body	GB	Cam 328	1	258	E/M2-E3C
	344	abraded	DJ		6	15	M1-2/3C
			GX(BSW)		9	99	Rom
		Inc. large sherd from jar (2-4C) burnt	GX		14	170	M2-L3/4C
		Part pot, burnt, from a cremation?	KX	Cam 40	3	112	M2-3/4C
	385	Fabric DJ, Cam 156A flagon with cup mouth, whole, slightly distorted (poorly finished) handle with single, central groove	DJ	Cam 156A	1	304	Hadrianic-E3C
	386	Fabric DJ, flagon Cam 155 with mouth slightly cupped internally, whole, handle with single, central groove	DJ	Cam 155	1	448	L1-M2C
	390	Fabric CZ, Cam 391 near complete, parts of rim and base missing, whole when buried, surfaces abraded	CZ	Cam 391	1	370	E/M2-E3C
	399		HZ		1	14	Rom
		DJ		3	17	Rom	
402	abraded	CB	Cam 391	1	18	E2-E3C	

Context	Finds no	Description	Fabric	Form	Qt	Wt/g	Finds spot dating
HF162, PBF	363		DJ		2	3	M1-2/3C
HF163, G	353		CZ		2	5	M2-3C
			DJ		28	144	Rom
			TZ		6	66	Rom
			GB	Cam 37	3	29	M2-3C
			AJ		1	39	Rom
			GX		90	392	Rom
	366		DJ		14	86	Rom
			CZ		1	9	Rom
			AJ		11	116	Rom
			GB	Cam 278 Cam 37A	3	48	E/M2-E3C
	GX		60	364	Rom		
HF164, PD	352		DJ		2	24	Rom
			GB	Cam 37A	1	8	E/M2-E3C
HF165, PD	358		GX		3	7	Rom
			DJ		5	32	M1-2/3C
HF166, PBF	360		HZ		1	96	M1-2C
HF167, G	361		DJ	lid	3	35	M1-2C
			DJ		2	5	
HF169, UC	397	Fabric GX, Cam 270B, stabbing around shoulder burnished on neck and rim, whole pot, body complete to shoulder and rim and neck broken away	GX	Cam 270B	1	2660	M1/L1-2/3C
	502		DJ	flagon	14	120	Rom
				GX	Cam 266 Cam 268?	63	785
HF170, PD	368		DJ		20	78	Rom
			GX		4	39	Rom
HF171, PD	381	Inc rim sherd from large jar/bowl	DJ		6	32	M1-2/3C
		Burnt? appears to be from a folded? beaker	GX		1	2	L2-3C?
HF172, G	383		DJ		5	6	M1-2/3C
		Upright jar/bowl rim, prob Cam 279A	GA	Cam 279A	1	4	E/M2C
HF176, G	392	Dish/bowl form	GA		1	4	M2-4C
		Misc sherds inc Cam 156	DJ	Cam 156	9	329	E/M2-E3C
			CZ		5	12	M2-M3C

Context	Finds no	Description	Fabric	Form	Qt	Wt/g	Finds spot dating
			EA		1	1	E/M3-4C
		Misc inc. Cam 108	GX	Cam 108	56	196	Rom
		Pale grey fabric	GX		4	10	Rom
		Sherds from a decorated bowl, poss CZ	GX	bowl	1	2	M1-2/3C
			EA		2	12	E/M3-4C
			KX		1	20	M2-4C
		Inc stab dec. sherd (M1-E2C)	DJ		4	17	M1-2/3C
		Several joining sherds	GX	Cam 299	5	104	M2-4C
			GX		16	122	Rom
	393		GX		1	5	Rom
HF177, G	442		BAEG		1	10	Rom
			BAEG		1	20	M2-M3C
			DJ	flagon	40	300	Rom
			GX		18	166	Rom
HF178, pit	398		AJ		1	63	M1-2C
			HZ	Cam 270B	3	198	M1-2/3C
		Bowl Curle 11?, prob MDV	BA MDV	Cr 11?	1	33	E2C
HF179, G	411		GX		1	10	Rom
HF180, UC	407	Fabric GX jar. Base (complete) and joining sherds from lower wall, truncated, probably whole when buried	GX	jar	1	1042	Rom
		Fabric GX (2 sherds recovered from inside jar, from different vessel) burnt with crazed interior surface, probably pyre damage	GX		2	20	Rom
			GX	Cam 268	90	852	M2-E4C
			DJ		2	11	Rom
			GA		4	193	M2C+
HF181, DBF	409	Inc cam108?	GX		30	314	M1-E2C+
HF182, UC	419	Fabric GX, jar with rilled shoulder, whole (similar to CAR 10 Fabric HZ fig 6.106 no. 54, Cam 271) essentially a 'Broughing' type jar (Going 1987 G21), high shouldered with short neck and rilling on shoulder suggests a 2nd century or later date	GX	jar	1	1691	2C+
HF183, G	471		DJ		7	32	Rom
			GX		28	299	Rom
	494	Fabric DJ, Cam 156, complete, orange fabric, surfaces abraded, faint traces of white on surface may be remains of white slip	DJ	Cam 156	1	337	2C
	495	Fabric GB, jar Cam 278, near complete, broken, complete rim, presumed whole when buried, acute lattice decoration on body formed from groups of two lines	GB	Cam 278	1	299	E/M2-M3C

Context	Finds no	Description	Fabric	Form	Qt	Wt/g	Finds spot dating
HF185, G	428		AA		1	19	M1-2C
			GA	Cam 303	2	78	M2-M3C
			MQ	Cam 155	1	13	M1-M2C
			DJ		5	45	Rom
			GX	Cam 108	32	363	M1-E2C
HF187, G	430	Fabric GB, Cam 278 (acute lattice), sherds from rim & wall & base, some join, part pot, relation to burial not known	GB	Cam 278	1	124	M2-M3C
HF188, BU	440	Fabric DJ handle from flagon	DJ	flagon	1	34	M1-2C
		Fabric DJ handle from flagon, six ribs	DJ	flagon	1	13	M1-2C
		Fabric GX,	GX		2	4	Rom
		Fabric GX (BSW)	GX		1	2	Rom
		Fabric DJ, flagon with flanged neck, similar to CAR 10 fig 6.20 nos 509, 510 (from contexts date M-L1C), much of pot present, broken-up into sherds, part of handle, part of neck, part of base missing.	DJ	flagon	84	560	M-L1C?
		Fabric DJ Cam 243-244/246 rim, poss discoloured by heat	DJ	Cam 243-244/246	2	21	M1-E/M2C
		Fabric GP, everted rim from a beaker	GP	beaker	1	2	M1-2C
		Fabric GX, rim from a small jar or bowl with a shallow lid seating?	GX	Jar/ bowl	1	7	M1-2C
HF189, G	231		GX		1	5	Rom
HF190a, G	486	Fabric KX, Cam 278 jar, presumed complete, broken, acute lattice over body	KX	Cam 278	1	396	E/M21-E3C
	487	Fabric DJ Cam 156A flagon with cup mouth, whole, handle with two ribs	DJ	Cam 156A	1	847	Hadrianic-E3C
HF190b, UC	445	Jar	GX	jar	100	471	M1-M2+
	448		DJ		21	87	M1-2/3C
			GX		18	88	Rom
	456		GX		20	52	Rom
HF193, G	461	misc	GX		12	132	Rom
			HZ		2	34	M1-2/3C
HF194, G	477		DJ		2	7	Rom
			GX		3	18	Rom
HF195, PD	479		DJ		1	2	M1-2/3C
	515		GX		2	15	Rom
HF196, G	483		DJ		2	41	Rom
			EA		1	3	E-M3C+
			GB		1	27	M2-3C
			GX		19	163	Rom

Context	Finds no	Description	Fabric	Form	Qt	Wt/g	Finds spot dating	
HF197, G	490		DJ		2	122	M1-2/3C	
		Jar base	GX(BSW)	jar	1	53	Rom	
		Jar base + joining body sherds	GX(BSW)	jar	3	574	Rom	
		bowl base	GX	bowl	1	166	Rom	
		Jar rim	GX(BSW)	Cam 270B	1	49	Rom	
		Jar base, traces of burnished lines, BB type?	GX(BSW)	Cam 278	1	151	M2-3/4C	
		Inc. Stab dec. shoulder	GX(BSW)		2	30	Rom	
	519			BACG		1	13	Rom
				GB	Cam 37B Cam 278	3	111	Rom
				DJ		6	109	Rom
		Folded beaker	GX	Beaker, jar	19	406	Rom	
	529	abraded		DJ		2	63	M1-2/3C
				GX(BSW)		24	134	Rom
			GA	Cam 279B/C	10	40	M2/3-4C	
		Rim & shoulder	GA	Cam 279C	3	95	M/L3-4C	
		Base and sherds, prob most one pot	GX		8	145	Rom	
			DJ		3	87	M1-2/3C	
			GA	Cam 279C	10	155	M/L3-4C	
			GX (BSW)		13	93	Rom	
		Prob Cam 119 shoulder with rouletted band	GX (BSW)	Cam 119	1	40	1-3/4C	
	HF198, PD	493		GX		4	34	Rom
			DJ		2	3	M1-2/3C	
HF199, UC	496	Urn, complete pot, broken, complete intact profile, one side broken into sherds, cordon decorated with lattice of burnished lines	GX	Cam 218	1	2749	M1-E2C	
HF200, Pyre	535		FJ	flagon	38	912	Rom	
			DJ	flagon	16	60	Rom	
HF201, UNC	509	base	GA	bowl	1	22	M2-3/4C	
		rim	GX	Cam 270B	1	77	M1-3C	
			GX		1	18	Rom	
		Joining sherds from large jar	GX		2	239	Rom	
HF202, PBF	501		GX		40	125	Rom	
HF203, PD	503		DJ		2	5	Rom	
			GX		10	46	Rom	
HF204, PD	505		DJ		4	19	Rom	
HF205, ditch	521		GX		2	4	Rom	

Context	Finds no	Description	Fabric	Form	Qt	Wt/g	Finds spot dating
		base	DJ		1	10	M1-2/3C
		Cam 279A/B	GA		4	44	E/M2-M3C
HF206, PD	541	Bases from 2 jars rims from 3 pots, inc Cam 268 shoulder	GX	jars	28	637	M2-3C
			DJ		2	21	M1-2/3C
			TZ	mortaria	1	27	M1-3C
		jar	GB	Cam 278	1	42	M2-M3C
HF208, G	526		DJ		1	15	Rom
HF209, UC	525	Fabric DJ, Cam 156, whole, buff fabric	DJ	Cam 156	1	297	2C
	527	Fabric DJ, honey jar Cam 177, whole, cracking to rim	DJ	Cam 177	1	2452	M1-E2C
	528	Fabric GX, lid, broken, incomplete	GX	lid	12	250	Rom
HF210, G	572		GX		15	174	Rom
		Red fabric, cream slip	MQ		1	29	Rom
		Bowl with lid seated rim similar to Cam 250 oxidised fine sandy ware	DJ		2	174	M1-2C?
HF213, ditch	531	Fabric DJ Cam 156 flagon, presumed complete, broken	DJ	Cam 156	1	263	Rom
HF214, UC	539	Body sherds from a Dr 20 amphora, sherds in various conditions, appear scorched/burnt	AJ	Dr 20	20	335	M1-2C
		Fabric GX, Cam 231-232, large narrow mouth jar, sherds from rim (whole) and upper body, some upper sherds clearly missing, appears scorched/burnt	GX	Cam 231-2	22	1227	M1-2C
		Part of rim, handle & body sherds from a two-handled? flagon, Cam 144	DJ		31	188	Claudio-Neronian
	540	Cam 270B Fabric GX, broken, complete rim and probably all of pot present as sherds	GX	Cam 270B	1	2160	M1-2/3C
			GX		2	34	Rom
			DJ		2	4	M1-2C
			DJ		4	38	Rom
	543		GX		2	7	Rom
HF215, PD	537	abraded	DJ		2	9	M1-2/3C
HF216, pit	544		DJ		3	9	Rom
			GX		2	9	Rom
HF219, UC	549	Fabric GX, Cam 218, complete pot, broken	GX	Cam 218	1	1445	E/M2-3/E4C
HF220, PD	552	misc	GX		4	36	?2C+
		abraded	DJ		1	3	M1-2/3C
HF221, G	557		DJ		20	20	Rom
HF222, G	-						Rom
HF225, posthole	554		GX		1	4	Rom

Context	Finds no	Description	Fabric	Form	Qt	Wt/g	Finds spot dating
HF240, posthole	556		GX		1	2	Rom
HF245, G	559		GX		3	10	Rom
HF268, UNC	564	Fabric GB, Cam 278 jar, whole , small, decorated with burnished single line acute lattice on body, small section of rim missing, appears to be old damage, and is similar to ritual damage recorded pots from other Roman burial sites	GB	Cam 278	1	98	Hadrianic-M3C
	566		DJ		3	5	Rom
HF269, G	560		DJ		2	12	Rom
			GX		44	422	Rom
			GB	Cam 37A	1	113	M2-E3C
			AA		1	30	Rom
			GB	Cam 37B	1	30	L2-3C
			DJ		3	20	Rom
			MQ		4	25	Rom
			GX	Cam 268	58	305	M2-3C
	561		GX		1	5	Rom
HF270, G	615	misc	GX		18	107	Rom
			AJ		1	39	M1-2/E3C
			DJ		2	4	M1-2/3C
HF271, G	584		HZ		1	114	M1-2/3C
			GX		9	61	Rom
	594a	Fabric CB, beaker Cam 391, reddish-brown colour-coat, most of pot but with one fitting detached sherd and a large section (old break) missing from one side	CB	Cam 391	2	80	E-M2-L2/E3C
	594b	Fabric GB, jar Cam 278 most of pot in sherds, small area of rim missing (EVE approx 0.75), decorated with grouped line lattice decoration of probable Antonine or later date, black surfaces	GB	Cam 278	1	295	Antonine-M/L 3C
HF272, G	562	jar	GB	Cam 278	32	353	M2-M3C
			GX		17	216	Rom
		Inc flagon	DJ	Cam 156	8	43	E2-E3C
HF274, G	568		ON	beaker	4	8	Rom
			DJ		5	7	Rom
			GX		27	326	Rom
HF275, G	569	abraded	GX		1	2	Rom
		abraded	DJ		1	3	M1-2/3C

Context	Finds no	Description	Fabric	Form	Qt	Wt/g	Finds spot dating
			GX (BSW)		2	6	Rom
HF278, G	588		DJ		10	76	Rom
			GX		38	400	Rom
HF281, PD	573		DJ		1	3	Rom
HF282, UNC	578	Fabric GB, small/miniature Cam 278 (69g), much of body and profile complete, part missing with one large separate sherd from upper body, partly fresh breaks and probably whole when buried, acute lattice decoration	GB	Cam 278	1	69	E/M2-E3C
HF283, UC	575	SV	GX		16	80	Rom
	586	Small broken pot, part pot, different rim	GX		18	199	Rom
HF284, UC	590	Fabric DJ Cam 156 flagon, presumed complete when buried, broken (382g)	DJ	Cam 155/ 156	1	382	E/M2-E3C
	591	Fabric GX, Cam 268 jar, broken and not complete, sherds from base body and rim, some sooting around rim and on body sherds, probably first used as a domestic pot	GX	Cam 268	1	332	M2-L3C
HF284/F285, UC	595		DJ		2	5	Rom
		Burnt, abraded	GX		32	298	Rom
HF285, UC	598	Fabric GX, Cam 268, much of pot broken into sherds, much of rim and base missing, sooted or black stained exterior	GX	Cam 268	1	280	M2-E4C
	599		GX		2	5	Rom
HF286, PBF	596	?Gaulish amphora	AA		1	7	M1-3C
			DJ		2	4	M1-2/3C
		lid	FJ		4	29	M1-E/M2C
			GX		4	15	Rom
	602	Fabric KX, Cam 278, body sherd in grey fabric Fabric GB, Cam 278, part of rim & body of jar	KX GB	Cam 278 Cam 278	1 6	4 292	M2-M3C E/M2-E/M3C
HF287, PD	611		DJ		3	14	M1-2/3C
			DJ		5	31	Rom
			GX		4	19	Rom
HF295, UC	601	Lower part of greyware jar, poss a narrow necked jar	GX		1	517	M2-E4C
HF298, pit	610		GX		3	23	Rom
HF299, PD	605	Most/all one pot	DJ		12	80	M1-2/3C
		misc	GX		4	30	Rom
HF300, G	609		DJ		3	15	Rom
		Folded beaker & Cam 268	GX	Cam 268	28	216	L2-3C
	619	Fabric GP, beaker with upright, slightly flaring profile and small everted rim, complete, part of rim detached in three sherds, fine grey body with some	GP	beaker	1	179	2-3C?

Context	Finds no	Description	Fabric	Form	Qt	Wt/g	Finds spot dating
		pitting to surfaces and darker patches of 'firing' clouds, faint turning ridges visible in surface where abraded (for similar form see CAR 10 Fabric GP Type 35, the earliest of which is from a context dated c 150-200 & Fabric UX fig 6.99, no. 26 from a post-Roman context)					
HF301, ditch	614	Rim similar to Cam 278	GX		3	24	M2C+
HF302, G	625		KOL CC		1	1	L1-2C
			DJ		2	18	Rom
			GX		22	307	Rom
HF303, G	630	Folded beaker, oxidised surfaces, sandy fabric, sherds from body	GX		13	600	L2-3/4C
			GX		3	66	Rom
		Sandy poss oxidised GX, burnt?	DJ		1	4	Rom
HF305, ditch	661		GX		1	4	Rom
HF306, pit	634		DJ		5	9	M1-2/3C
		misc	GX		7	71	Rom
HF307, UC	640	Fabric GB, Cam 278 jar, whole pot, part of upper body and rim broken away and in sherds, acute lattice decoration, traces of white deposit, probably from a slip, on rim and shoulder with drip runs on the body exterior and interior.	GB	Cam 278	1	1016	E-M2C
		Several neck/rim and body sherds, residual in burial?	DJ	Cam 155	8	16	M1-E2C
HF308, G	637	Inc jar form	GX		25	326	Rom
			DJ		2	6	M1-2/3C
HF325, G	635		DJ		5	14	Rom
			GX		5	26	Rom
HF337, G	648	abraded	TZ		1	21	M1-2/3C
HF340, G	644		DJ		2	14	Rom
			GX	Cam 266 cam 268	14	147	M2-3C
HF345, G	703		GX		17	150	Rom
			DJ		2	30	Rom
HF346, UC	701	Fabric GX, Cam 268 broken complete(?) pot (1652 g)	GZ	Cam 268	1	1652	M2-3C
HF352, pit	708		GX		1	10	Rom
HF353, G	710	Most sherds from a greyware storage jar	GX	Storage jar	20	263	M1-2/3C
	718	Jar and similar second jar mixed sherds	KX	Cam 278	1	1006	M/L2-M3C
HF354, UC	713b	Fabric GX, single abraded rim sherd from another vessel (bowl/jar) found inside complete pot (713) (probably residual)	GX		1	6	Rom
	713	Fabric GX, Cam 266 complete pot, one side cracked post-deposition and	GX	Cam 266	1	1652	M1-E2C

Context	Finds no	Description	Fabric	Form	Qt	Wt/g	Finds spot dating
		now broken into sherds, not all of rim present, beaded, slightly squared-off rim, sandy fabric with reddish-brown to dark grey surfaces, light areas possibly resulting from some surface abrasion					
	714	Fabric GX, Cam 218, whole pot, fine grey fabric, small chip missing on edge of rim, appears to be old damage, is similar to ritual damage recorded pots from other Roman burial sites but as a small chip may well be accidental damage (recovered from inside pot 713)	GX	Cam 218	1	285	M1-E2C
HF356, UNC	716		GX		12	14	Rom
		part pot, broken	DJ	Cam 154/155	57	177	M1-E2C
	720		FJ		1	12	Rom
				DJ		2	5
			GX		7	61	Rom
HF358, UC	000	Fabric GB, bowl, part pot, complete lower part of bowl, rim missing	GB	bowl	1	376	E/M2-3C
HF360, pit	721	Base, abraded	GX		3	49	Rom
HF360/ HF361, pits	944		BAEG	Dr 33	1	9	M2-M3C
		Indented beaker	CZ	beaker	1	5	M2-M3C
			GB	Bowl/ dish	1	5	M2-M3C
			HZ		1	99	M1-2/3C
		Misc sherds from 2-3 or more pots	GX		15	139	Rom
HF361, pit	722	Lid rim	DJ	lid	5	36	Rom
HF362, PBF	723	burnt	GX		1	4	Rom
HF364, G	724		DJ		1	3	Rom
			GX		1	5	Rom
HF369, pit	727		GX		1	4	Rom
HF370, pit	728		GX	Cam 108	1	12	M1-E2C
HF372, PD	729		DJ		2	15	Rom
HF377, G	731	base	GX		1	9	Rom
	732		GX		2	3	Rom
HF379, PD	736	Includes flagon sherds	DJ		16	74	M1-2/3C
		misc	GX		9	109	Rom
	737	base	DJ	flagon	1	11	Rom
			GX		1	4	Rom
HF380, UNC	664		GX		1	11	Rom
HF381, G	647		GX		1	10	Rom
HF382, UC	649	Beaker, red fabric with grey core in body sherds, part pot, probably Trier	CLNF		16	54	3C

Context	Finds no	Description	Fabric	Form	Qt	Wt/g	Finds spot dating
	650	Fabric GX, part pot, base and joining lower wall sherds	GX		1	205	Rom
	651a	Fabric GA, jar Cam 279C, whole pot, decorated with obtuse burnished lattice in band around body, cracks opening in body on one side, sherd missing from rim, appears to be old damage, similar to ritual damage recorded pots from other Roman burial sites	GA	Cam 279C	1	867	M3-4C
	651b	Fabric GX, large jar, near complete (2130g), rim missing, base and half of body as one large piece, other part of body in sherds resulting from pressure cracking in ground. Unusual decoration consisting of five burnished spiral circular motifs spaced around upper body. A pot with similar, but much larger circular spiral motifs comes from the 'Mithraeum' deposit dated to the (early-mid?) 4th century (Hull 1958, fig 65 no. 64) but which contains much residual pottery.	GX	jar	1	2148	3-4C (3C?)
		Spit 6: Fabric GB (3@ 52g) from the base of a bowl, no joins	GB		3	52	M2-M3C
		Spit 9: Fabric GX (1@ 5g) from the base of a bowl with chamfer	GX		1	5	2-3C?
		Spit 2: Fabric GX (2@ 5 g) inc. jar/bowl rim (abraded)	GX		2	5	Rom
		Spit 4: Fabric GX (2@ 2 g)	GX		2	2	Rom
		Spit 5 Fabric GX (1@ 1 g)	GX		1	1	Rom
		Spit 1 Fabric GX (1@ 2 g)	GX		1	2	Rom
		Other finds from fill: tile (1@2 g) sp 6; Rom tile (1@ 2 g) Rom tile					Rom
HF383, G	803		GX		3	14	Rom
		Cooking pot shoulder	13		1	14	Medieval, 11-12C
HF385, silt patch	652		GX		1	3	Rom
	659	Some similar to pyre debris	DJ		3	5	M1-2/3C
		misc	GX		12	57	Rom
HF386, G	654	Fabric DJ, flagon with flanged, short collar (pulley-wheel) rim, whole, two rib handle, small chip to top of rim, appears probably to be accidental damage	DJ	flagon	1	368	M1-2/3C
	657		GX		1	4	Rom
HF387, pit	660		GX		2	9	Rom
			CZ		1	3	E/M2-3C
HF388, UC	667	Fabric GX, jar, part pot, complete base and joining sherds from lower wall	GX	jar	1	392	Rom
HF389, UC	669	Fabric GX jar, base and lower wall, broken into sherds	GX	jar	1	738	Rom
		Fabric GA, Cam 39 dish, part pot, much of base and part of wall, broken	GA	Cam 39	1	152	M2-4C
HF390, UC	674	Fabric GX(BSW) lower part of vessel, broken into sherds	GX(BSW)		1	464	Rom
HF391, UC	676	Fabric GX, large jar, near complete, part of rim missing, whole when buried, recently broken into many sherds, bulge-cordoned on shoulder, two bands of fine comb wavy line around upper body, similar to Pot 49 (US) and	GX	jar	1	1519	M2-3C

Context	Finds no	Description	Fabric	Form	Qt	Wt/g	Finds spot dating
		similar in many respects to CAR 10 fig 6.79 708 dated 3rd century					
HF392, G	670		GX		2	15	Rom
			DJ		1	8	Rom
	691		GX		3	39	Rom
				GB	Cam 37A	1	5
HF393, G	687	Fabric GB, Cam 305 bowl, whole pot with small sherd missing from rim and some chipping to rim, open crack from rim-base on one side	GB	Cam 305	1	817	L3-4C
	686	Fabric GB, beaker with expanding, folded body, tall, upright (slightly flaring) rim and pedestal base, approximates to form Cam 407 (form dated E/M 3-4C), whole pot, grey surfaces with traces of original darker surface coat? on body, shoulder, rim and lower body burnished, several small chips to rim and one large piece of rim missing, appears to be old damage, similar to ritual damage recorded pots from other Roman burial sites	GB	Beaker ?Cam 407	1	287	3C?
HF397, G	692		AJ		5	258	Rom
			AA		3	55	Rom
			GB		1	18	Rom
HF399, ditch	707		CZ	beaker	1	34	E/M2-M/L3C
			AJ		1	20	Rom
			GX		1	3	Rom
			DJ		1	4	Rom
HF399 Sx1, ditch	693		EA	beaker	1	26	M3-4C
			BACG	Dr 33	1	5	2C
			AA		2	12	Rom
			GB	Cam 37B	1	12	L2-3C
			GX		31	251	Rom
	694		TZ	Cam 497	1	138	E/M2-E3C
759		GX		7	56	Rom	
HF399 sx2, ditch	697	Thumbing strip	20		1	5	Medieval, 12-14C
			RET		1	6	Rom
			GX		1	2	Rom
	769	Narrow necked jar/vase base	GX		7	147	Rom
		HZ		5	57	Rom	
HF399 sx3, ditch	746		TZ	Cam 498	1	28	E/M2-M3C
			GX		19	205	Rom
	760		GX	jar	3	85	Rom

Context	Finds no	Description	Fabric	Form	Qt	Wt/g	Finds spot dating
	766		BACG	Dr 31	1	34	M-L2C
			GX		8	50	Rom
			TZ	Cam 498	1	55	E/M2-M3C
			CZ	beaker	1	2	E2-L3C
HF399 sx5, ditch	867		GX		1	4	Rom
		rim	GB	Cam 37B	2	24	L2-3C
		micaceous	GX(M)		2	11	Rom
		rim	GX	Jar/ beaker	1	4	Rom
	868	Base, abraded	FJ	Jar/bowl	2	88	M1-M2C
			GX3		3	29	
		rim	GX	Cam 268?	1	16	M2-L3/E4C
		Indented beaker	EA	beaker	1	5	M3-4C
		Rim, soft fabric with shell & grog, plain neck, see CAR 10 fig 6.112 no, 56 for rim shape	HD	Bead rim jar	2	30	Rom (4C)
			GX	Cam 268	6	89	M2-3/E4C
			DJ		2	22	Rom
HF399 sx6, ditch	878		GX	Cam 268	2	29	M2-L3/E4C
			GX(BSW)		4	64	Rom
			DJ		2	22	M1-2/3C
HF399 sx7, ditch	937a	Fabric GA, jar Cam 279C, whole pot but with approx one fifth of rim missing, appears to be old damage, similar to ritual damage recorded pots from other Roman burial sites, splayed rim with narrow band of obtuse lattice decoration	GA	Cam 279C	1	277	E/M3-4C
	937b	Fabric GX, three sherds, two thin, joining from a base, recovered from inside whole vessel	GX		3	4	Rom
	938	Misc from 2-3 pots	GX		15	81	Rom
			DJ		1	6	M1-2/3C
		2 rims	GX		2	30	Cam 268
	979	Base, SV, join	GX	Jar/bowl	5	72	Rom
			AJ	D 20	1	89	M1-2/E3C
HF399 sx8, ditch	996		HZ		1	352	Rom
			GX	Cam 307	9	168	L2-3C
HF399 sx9, ditch	997	Carinated bowl form	DJ		2	29	M1-2/3C
			GX		4	16	Rom
HF399 surface, ditch	948	Base, abraded	CZ	beaker	1	34	E/M2-M/L3C
HF400, G	735		DJ		4	15	Rom

Context	Find no	Description	Fabric	Form	Qt	Wt/g	Find spot dating	
			GX		9	63	Rom	
HF401, PD	740		GX		1	2	Rom	
	743		GX	Cam 218	1	25	M1-E2C	
				DJ		8	41	M1-2/3C
				GX		4	18	Rom
HF403, pit	742	Waster/ burnt sherd also	GX	Cam 218	4	26	M1-E2C	
HF407, PD	752		DJ		6	28	Rom	
			HZ		10	324	Rom	
			GX		24	459	Rom	
HF408, G	758		TZ		1	29	Rom	
			GX		3	22	Rom	
HF409, ditch	751	abraded	MQ		1	10	Rom	
HF413, ditch	749	Misc, prob 2 pots, inc slightly flared rim similar to Cam 278, abraded	GX	Cam 278?	34	156	M2C+	
HF415, ditch recut	747	Samain Dr 31 EG or poss COL	BA COL?	Dr 31	3	122	M-L2/(?3C)	
		Grooves on neck ?Cam 268	GX	Cam 268?	2	18	M2C+?	
HF417, pit	750	Sooted under rim	GB	Cam 278	2	40	E/M-L2C	
			MQ		1	3	Rom	
			GX		9	110	Rom	
HF420, UC	762		GX		2	6	Rom	
		Fabric GX (BSW) base & body (47@ 610 g), distinctly micaceous fabric, multiple grooves round shoulder (CAR 10, Cam 271)	GX	Jar (Cam 271)	1	610	Rom	
HF429, UC	764	Fabric GX, jar intact base of pot with part of lower wall, two other loose sherds	GX	jar	1	210	Rom	
			GX		1	6	Rom	
HF451, modern service	778	abraded	46		1	20	Post-medieval, M16-M18C	
		Handle with thumb strip (tend to be from later contexts)	20		1	10	Medieval, L13-E15C	
			20		1	7	Medieval, 12-14/15C	
		rim	GX	Jar/ bowl	1	13	Rom	
HF460, G	775		(GX)		1	9	Rom	
HF464, G	829	Dr 31	BACG	Dr 31	1	45	M-L2C	
		Bowl form	BACG		1	12	E/M-L2C	
		D 20	AJ	D 20	2	140	1-2/E3C	
		Prob from one amphora (prob D 2-4 or 7-11)	AA		8	596	M1-2C	
			HZ		3	130	M1-2/3C	

Context	Finds no	Description	Fabric	Form	Qt	Wt/g	Finds spot dating
		Tazza see CAR 10 DJ fig 6.25 nos 711-18	DJ	Cam 198	1	29	M1-2/E3C
			DJ		7	26	M1-2/3C
		Cam 40 wavy line dec	GB	Cam 40	6	60	M2-M3C
		Misc sherds	GX		5	140	Rom
HF465, UC	780	Fabric GX, greyware jar sherds, one with stab decoration around shoulder (part of cremation pot?)	GX	jar		447	Rom
		Fabric GX(BSW) base, slightly micaceous fabric	GX(BSW)		1	26	Rom
	781	Fabric GX, lower half of large jar	GX	jar	1	1087	Rom
HF466, UC	782	Fabric GX, base of large jar	GX	jar	2	370	Rom
	783	All SV	GX		7	50	Rom
HF468, G	769		GB	Cam 37B	1	20	L2-3C
HF469, G	388		GB	bowl	1	28	Rom
HF473, G	924	Fabric DJ, cup mouth flagon Cam 156B, whole pot, ovoid body, three rib handle, approx one third of rim missing, appears to be old damage, is similar to ritual damage recorded pots from other Roman burial sites	DJ	flagon	1	797	Hadrianic-E3C
	925	Fabric CZ, Cam 406 folded beaker, whole pot, reddish-brown colour coat abraded over most of body, very small chip missing from rim is probably old damage from use	CZ	beaker	1	92	L2-M3C
HF474, G	805		GB	Cam 37B	1	11	L2-3C
			KX		1	8	Rom
			GX		4	68	Rom
HF475, G	807	Fabric DJ, flagon Cam 156, broken probably complete	DJ	Cam 156	1	275	E2-L2/E3C
HF477, UC	809	Fabric GX, Cam 268 jar, complete	GX	Cam 268	1	968	M2-L3/E4C
HF481, G	813	Samian cup form Dr 46, whole pot, small piece of rim detached, Central or poss. East Gaulish		DR 46	1	184	2-M3C?
	814	Open bowl, whole, grey surface with inturned rim, low footring, slightly sandy surfaces, some sparse flint in surface of fabric, form similar to Mayen/Speicher products but probably from another Rhineland pottery.		bowl	1	503	3-4C?
	815	Open bowl, whole (small score or fault on internal wall under rim), grey surface with inturned rim, low footring, slightly sandy surfaces, some sparse flint in surface of fabric		bowl	1	490	3-4C?
		Inc flat rim bowl (Cam 243-44/246, one base sherd burnt (residual pyre debris?))	GX	Cam 243-244/246	11	192	M1-E2C
			DJ		7	32	M1-2/3C
			GX		10	159	Rom
		Base, appears medieval (intrusive)	13		1	15	Medieval, 11/12-13C
	816		DJ		7	32	Rom
HF490, G	786	Fabric DJ, complete, broken	DJ	Cam 156	1	420	E2-L2/E3C

Context	Finds no	Description	Fabric	Form	Qt	Wt/g	Finds spot dating
HF491, pit	785		AA		1	25	Rom
			GX		1	2	Rom
HF492, G	801	Fabric GB, deep dish with slightly flaring sides, Cam 40A, whole, red-brown fabric with burnished dark-grey surfaces (both interior & exterior), rack in vessel wall and small surface chip missing from inside. Cam 40 is dated E2-L3C in Fabric GB, but the general dish form continues into the 4C (Going 1987, 14, B3)	GB	Cam 40A	1	567	E2-M/L3C
	832	Fabric MQ, plain cream slipped body with frilled/notched cordon around neck, approximates to form Cam 283 (but not decorated), whole, brownish orange fabric, areas of surviving slip fine and powdery (date range of Cam 283 is uncertain but is probably L2-3C)	MQ	Cam 283?	1	412	L2-3C?
HF502, ring-ditch	116		GX	Cam 243-44/46 Cam 268	9	67	M2-3/E4C
HF506, posthole	524		GX	Cam 268	7	76	M2-3/E4C
HF512, G	798		GX		2	25	Rom
	799		GX		1	10	Rom
HF514, G	896		GX		3	35	Rom
			DJ		3	3	Rom
		abraded	CB		1	11	E/M2-M/L3C
		Cream slip on oxidised red-brown fabric, abraded	MQ		3	32	Rom
HF517, G	818	Fabric CZ, Cam 406 folded beaker, whole, reddish-brown colour coat abraded over top of rim, decorated with rouletted bands above and below folds	CZ	Cam 406	1	310	L2-M3C
	819	Fabric GX, probably complete large beaker/jar, presume whole when buried, essentially Cam 108	GX	Cam 108	1	696	M1-E/M2C
	821		GX		4	25	Rom
HF522, pit	837		GX		1	3	Rom
			CZ		1	3	Rom
HF523, G	861		GX		3	21	Rom
HF525, ditch	845		GX		1	3	Rom
HF527, pit	847		GX		1	3	Rom
HF532b, G	934	Fabric GP, Cam 123 beaker, whole, rim complete but broken and extensive damage to one side with missing body sherds and small post-firing (recent?) whole in one side, decorated with two areas of rouletting either side of girth	GP	Cam 123	1	285	2C
HF533, posthole	848		GX		1	2	Rom

Context	Finds no	Description	Fabric	Form	Qt	Wt/g	Finds spot dating
HF538, posthole	857	rim	GX	Jar/ bowl	2	5	M2-4C?
HF541, G	851	abraded	CZ		1	12	Rom
			GA		1	10	Rom
			KX		1	11	Rom
			GX		26	102	Rom
HF546, G	860		GX		1	2	Rom
HF548, G	854	Fabric GX, jar, small vessel approximating to Cam 268 but lacking groove(s) on shoulder (poss. a miniature pot), whole, small chip to edge of rim, appears probably to be accidental damage	GX	?Cam 268	1	158	E/M2-L3/E4C
	855	Fabric GX, part jar, broken in sherds, neckless with hook rim similar to Cam 268	GX	?Cam 268	19	150	M2-3C?
	879	Base from a small jar/beaker	GX		2	46	Rom
HF549, G	813	rim	GB	Cam 37B	1	9	L2-3C
	871	Cam 268 jar, area broken away from the rim, looks like old damage	GX	Cam 268	1	566	M2-E4C
HF551, pit	921	sandy, faint pinkish-white fabric, poss German import?	RHL WH		1	90	Rom
			GX		1	4	Rom
HF555, PBF	923	Jar/bowl base	GX		5	202	Rom
HF557 sx1, ditch	877		GA	Cam 279	1	10	M2-4C
			GX		15	116	Rom
		Misc sherds from 2 or more pots	GX		16	123	Rom
HF559, pit	876		DJ		1	3	Rom
			GX		2	4	Rom
HF560, G	895		GX		1	10	Rom
			HZ		1	9	M1-2/3C
HF571, UC	883	Fabric GX, lower part of jar in sherds	GX	jar	19	774	Rom
HF572, UC	885	Fabric GX, Cam 270B, complete(?) broken, jar, stab decoration around neck	GX	Cam 270B	1	2335	M/L1-2/3C
	891	Fabric GB, Cam 37B, bowl, complete(?), inverted and used as a lid for urn Find 885	GB	Cam 37B	1		L2-3C
HF574, pit	1034	abraded	AJ		1	12	Rom
		abraded	TZ		1	137	Rom
			DJ		1	4	Rom
		Folded beaker, part pot	GX		5	76	L2-3C
		abraded	EA		1	3	Rom
HF575, UC	887	Fabric GX (BSW), lower part of large jar, base complete, wall broken into	GX	jar	1	1100	Rom

Context	Finds no	Description	Fabric	Form	Qt	Wt/g	Finds spot dating
		sherds, black surface, burnished on wall above base					
HF579, G	907	Flanged bowl, Cam 305A, whole with burnished arcs around body wall. Plus complete base from a small greyware pot found inside the bowl. Burnt inside with burning extending across the broken edge on one side.		Cam 305A	1	732	M/L3-4C
	908	Beaker, whole, tall with plain body, dark brown colour-coat, firing line with red surfaced lower body and base below, short neck with plain simple rim ('funnel mouth')		beaker	1	185	M3-4C
	909a	Base from a small greyware vessel, burnt across breaks and possibly redeposited from a cremation pyre?	GX		1	39	Rom
	909b	Jar/bowl, complete, rim and neck broken away, cream surfaces, red-brown stain or corrosion product adhering on edge of base and part of lower wall on one side		Jar/bowl	1	567	M/L1-M2C
	910	Beaker, near complete (192g), broken into several pieces along pressure cracks, small sections of rim missing, may simply not have been recovered, foot slightly broken away on one side, single score line across base may be mark during manufacture, rounded/ovoid body with small everted rim which has a slight internal seating (Fabric GX)	GX	beaker	1	192	2-3C?
	911	Tall narrow mouthed jar with pedestal foot, complete, upper body broken, groove around rim and grooves where neck joins body, red-brown fabric with traces of cream slip and trails of white slip on interior, possibly a Hadham product.		jar	1	563	2-3C?
	916	Small indented beaker, whole, plain body with dark metallic surface coating, round indentations (Fabric CL)	CL	beaker	1	83	L2?-3C
	922		GX		4	52	Rom
	HF581, pit	888	misc	GX		4	29
Possibly post-Roman			GX?		1	6	Roman? Post-Roman?
HF596, G	903	Fabric GX, jar, whole, flaring everted rim with small cordon below, shouldered with narrow flat base, dark grey surfaces abraded in places to a lighter grey, some fine mica and faint turning ridges visible in surface where abraded, section of rim missing, appears to be old damage, similar to ritual damage recorded pots from other Roman burial sites.	GX	jar	1	425	2C+?
	904b	Fabric GX, small flake from pot body of jar 904b, found inside 904b and showing this hole was almost without doubt made close to or at the time of the burial, clearly old damage and appears to be a relatively clear case of ritual damage as recorded pots from other Roman burial sites	GX				Rom
	904a	Fabric GX, Cam 281 narrow mouth jar, whole, grey body with burnished shoulder with single burnished girth line below, section of rim missing and small hole punched into body from exterior (small chip from this recovered from inside vessel)	GX	Cam 281	1	490	M/L2-4C
	906	Fabric GX, misc sherds inc. Cam 268 rim, prob extraneous sherds	GX	Cam 268		59	M2C+
		Fabric GB, Cam 40, much of pot, presumed whole when buried, plain with	GB	Cam 40		400	M2-3C

Context	Finds no	Description	Fabric	Form	Qt	Wt/g	Finds spot dating
		slightly flaring wall					
HF598, UC	899	Fabric GX, much of lower part of jar (24@ 612 g), broken into sherds, base whole, rim and shoulder missing. Formerly used for heating water - internal cream scale deposit.	GX	jar	24	612	Rom
	900	Fabric GB, part of a Cam 39B bowl, SV, joining sherds	GB	Cam 39B	18	166	L2-M/L3C
	901	Fabric GB, part of a Cam 39B bowl, SV, joining sherds	GB	Cam 39B	39	221	Rom
		Fabric KX, rim from a jar	KX	Cam 278	1		M2-3C
		Shoulder sherd, prob Cam 268	GX	Cam 268	3	8	M2-3C
HF601, G	915	Grog/black organic temper	GX(RCW)		1	3	M1-E2C?
	917	Fabric DJ, flagon with three vertical neck rings (similar flagon neck in CAR 10 fig 6.16 411 described as form Cam 155 (dated Claudio-Neronian-early Antonine), however, the cup mouth may suggest an Antonine date (see Davis, Richardson & Tomber 1994, fig 178 1101-03)). Whole, patchy surface stain from surrounding soil, small section of rim missing, appears to be old damage, similar to ritual damage recorded pots from other Roman burial sites	DJ	flagon	1	328	2C?
HF602, UC	920	Fabric GX Cam 268 jar, prob complete but broken, several large sherds, rim in several small pieces, some sooting around rim and probably first used as a domestic pot	GX	Cam 268	1	1049	M2-L3C
HF604, ditch	926		GX		1	7	Rom
HF605, ditch	927		GX		4	24	Rom
HF618, pit	933	abraded	CZ		1	1	E/M2-M/L3C
HF627, ditch	936		BACG		1	2	Rom
			GX		10	418	Rom
		Folded beaker	CZ	beaker	1	14	Rom
			KX	Cam 278	1	81	Rom
HF628, pit	936	rim	GX	Jar/bowl	2	10	M2-4C?
HF630, ditch	945	Dr 18/31 or 31	BACG		1	2	E/M-L2C
			GX		2	8	Rom
		(poss GB)	GA		1	6	E/M2-4C
			AJ		1	37	M1-2/E3C
HF632, UC	956		GX		9	79	Rom
HF633 sx1, ditch	947		GX		4	22	Rom
			DJ		1	8	Rom
			GX		2	9	Rom
HF633, sx2, ditch	985	SV, band of fine horizontal burnishing around body	GX		4	162	2-3/4C?
	992		DJ		1	12	M1-2/3C

Context	Finds no	Description	Fabric	Form	Qt	Wt/g	Finds spot dating	
		lid	GX		2	33	Rom	
		Cam 268 rim	GX	Cam 268	7	1524	M2-L3/E4C	
		large bowl with pointed bead rim (CAR 10 fig 6.62 no 258)	GX		1	42	2-3C?	
		Cam 409 beaker, part pot	CZ	Cam 409	6	72	E/M3-L3C	
		Cam 39	KX	Cam 39	1	4	M2-4C	
		Base sherd	GB		1	17	M2C+	
		Misc sherds	GX		19	616	Rom	
		Large jar	GX	Cam 270B?	2	78	M1-3C?	
HF633 sx4, ditch	1001	Fabric GB, Cam 40B dish/bowl, whole, crack extending from rim-base on one side. Found in ditch base and presumed to be displaced from a burial.	GB	Cam 40B	1	523	E/M2-L3C	
HF638, ditch	951	Large jar	GX	Cam 270B?	1	47	M1-3C?	
	953		GX		1	19	Rom	
			GX(BSW)		10	95	Rom	
			GB	Cam 40B	2	25	M2-M3C	
			GB	Cam 37A	1	12	E/M2-E3C	
			GB		1	12	M2-M3C	
HF639, G	755	rim	GX	Jar/bowl	1	12	M1-2C?	
	955		GX	jar	1	12	Rom	
HF640, G	963	Complete, broken	GA	Cam 279	1	580	L3-4C	
	964		GX		5	90	Rom	
			Quite micaceous	GB	Cam 37B	1	26	L2-M/I3C
			Neckless ovoid jar	GX	jar	1	19	M2-3/4C?
				CZ	beaker	1	3	E/M2-M/L3C
	983			GX	Cam 268?	3	78	M2-L3/E4C?
				GB		1	28	M2-M3C
HF641, G	959	misc	GX		9	50	Rom	
			GB	Cam 37A	1	10	E/M2-E3C	
	1012		GX		2	10	Rom	
HF642, ditch	962		GX		4	17	Rom	
			BACG	Dr 31	2	36	M-L2C	
	969		GX(M)		2	8	Rom	
			Rilled surface with fine burnished bands, poss North Gaulish greyware NGG	GX		1	6	L1-3C
HF643, G (HF644)	950	Fabric GX, prob extraneous sherds	GX		2	14	Rom	
		Fabric GX(BSW) prob extraneous sherds	GX(BSW)		2	13	Rom	
		Fabric KX, much of a Cam 278 jar, presumed whole when buried, decorated with vertical grouped line burnish on body	KX	Cam 278	22	856	M/L2-3C	

Context	Finds no	Description	Fabric	Form	Qt	Wt/g	Finds spot dating
HF644, G (HF643)	1003		GX		4	25	Rom
HF645, G	976	Inc part of folded beaker	GX	Cam 406	15	120	L2-M3C
	974/975	Cam 268 jar, mid-upper part broken into sherds, rim complete, presumed complete pot	GX	Cam 268	1	463	M2-E4C
HF651, pit	984	Acute lattice dec	KX		1	7	M2-3C
HF652, G (HF646)	988	Fabric GB, Cam 40B dish, complete but broken into 4 large pieces	GB	Cam 40B	1	316	Trajanic/ Hadrianic - M/L3C
HF654, G	990	No groove below rim	GX	Cam 268	3	99	M2-L3/E4C
		Rim (different pot)	GX	Cam 268	1	17	M2-L3/E4C
			GX		1	14	Rom
HF659, G	994		KX	Cam 278 Cam 39	2	72	Rom
			GB	Cam 37B	1	18	L2-3C
			GX		4	58	Rom
			DJ		3	35	Rom
HF664, robbing mausoleum	1003		GX		4	33	Rom
	1005		GX		1	7	Rom
HF666, G	1033	Fabric EA, complete Cam 392 type beaker, upper part broken into sherds, rim complete, base whole, orange-brown, slightly metallic chestnut colour-coat with pale buff fabric, source not identified but possibly Nene Valley	EA	Cam 392	1	152	L2-3C
	1036	Thin sherds from an indented beaker	GX		6	6	2-3/4C
			GX		1	6	Rom
HF667, G	1019		BACG	Dr 31	1	28	M-L2C
			GX		1	4	Rom
HF668, mausoleum foundation	-		AJ		1	231	M1-2/E3C
HF674, G	1035		BACG		1	11	E/M-L2C
			DJ		1	2	M1-2/3C
			GX		2	15	Rom
HF684, PBF	1038	Beaker with cornice rim, fabric indicates is probably Nene Valley (Fabric EA) rather than Koln (EZ). Cornice rim beakers are present in NV fabrics (CAR 10 278-79)	EA	Cam 391 type	5	20	L2-E/M3C?
		Stab dec around shoulder	GX		1	10	Rom
HF686, G	1044	Fabric CZ, indented beaker, Cam 407, whole but two sherds broken away from rim, one is an old break similar to ritual damage recorded pots from other Roman burial sites	CZ	Cam 407	1	198	E/M-L3C

Context	Finds no	Description	Fabric	Form	Qt	Wt/g	Finds spot dating
HF687, G	1045	Beaker base	KOL CC	beaker	1	45	L1-E3C
			GX		4	13	Rom
HF688, UC	1046	Fabric GX (BSW), Cam 268 jar, base and part of lower wall complete, upper part broken into sherds, much or rim and one side missing	GX	Cam 268	1	699	M2-E4C
HF689, G	1047		CZ	Cam 391	8	20	E/M2-E3C
HL4, subsoil	10		GX		9	44	Rom
	148		AJ		1	189	Rom
		TZ		1	26	Rom	
		BAEG	Dish/ bowl	1	37	M2-M3C	
		BACG		2	24	Rom	
		EA		1	1	M3-4C	
		FJ		6	78	M1-M2C	
		DJ		94	556	Rom	
		Note includes peg tile pieces	GX		183	1098	Rom
			CZ		5	45	M2-3C
336				DJ		7	14
			CB		1	12	Rom
			CZ	Cam 391	4	5	Rom
			GX		11	119	Rom
			BASG		1	2	Rom
417			DJ		9	52	Rom
			GX		35	550	Rom
			CZ	Cam 362	1	2	L2-3C
		burnt	BACG		1	2	2C
472			DJ		3	7	Rom
			GB		1	13	Rom
			GX		12	71	Rom
545			DJ		18	87	Rom
			DJ		20	87	Rom
			FJ		1	10	Rom
		Waster/burnt base	GX		44	544	Rom
755			GX		11	101	Rom
			DJ		5	38	Rom

Context	Finds no	Description	Fabric	Form	Qt	Wt/g	Finds spot dating	
			ON		1	4	Rom	
Unstratified	104	Fabric GX, large jar, near complete, part of rim missing, unstratified but certainly buried whole with burial, recently broken into many sherds, bulge-cordoned on shoulder, two bands of fine comb wavy line around upper body, similar to that in HF391 and similar in many respects to <i>CAR 10</i> fig 6.79 708	GX	jar	1	812	3C	
	203		EA		1	2	E/M3-4C	
				GX		2	4	Rom
	258			GX		2	13	Rom
				DJ		1	2	M1-2/3C

HF29	66	30	108		1	*	*	w	108	6						
HF30	62	2	3		3			w		9						
HF31	56	58	37	37				*	w	41						
HF32	73	1	4					s, g								
HF33	60	1	1					s								
HF34	68	2	1					w								r
HF35	86	8	8					g-w								
HF40	109	19	34	32	2			w		29	Mammal / HSR					fragments
HF40	109							s		39	Cattle					humerus
HF40	110	89	222	32	130	*	*	w, unburnt	222	17					1	fe, rad, misc
HF40	144	58	51	51	8	4	*	w		58						
HF45	98	27	16					w								sk, limb
HF41/ HF107	212	7	11	11				10w, 1ub								fragments
HF41/ HF107	229	33	109	15	42	17	*	w, g, br			HSR					l, sk, misc
HF41/ HF107	229	33	109			*	*	w	109	5						
HF47	111	46	84	17	46	21	*	w, g, br			HSR					l, sk, misc
HF47	111	46	84			*	*	w	84	5						
HF47	90	30	27	17	20	*	*	w, some unburnt	27	43						no positive HSR
HF52	116	18	7	7				w		52						limb
HF54	127	2	3					s								
HF66	129	26	31	3	27			w								skull, misc
HF67	132	231	462		12	*	*	w			HSR					
HF67	132			40	12	*	*	w	63	15			Adult			sk, fe,
HF67	132			78	25	*	*	w	120	41						
HF67	132			2	32	*	*	w	34	11						
HF67	132				25	*	*	w	23	9						
HF67	132			62	75	*	*	w	150	32						
HF67	132			41	31	*	*	w	72	43						
HF72	138	230	109	86	19	4	*	w		45						sk, v, fe, tib, fib
HF73	142	61	85	85				w		43						tib, lumbar vert
HF75	146	125	189	120	69	*	*	w		39						sk, limb, misc, r
HF76	140	129						w								
HF76	140							w	19	15						misc
HF76	140							w	12	33						misc and skull
HF76	140							w	5	14						misc

HF76	140							w	11	12							misc
HF76	140							w	13	46							misc
HF76	140							w	31	36							misc, skull, limb frags
HF76	140							w	45	32							misc
HF76	140							w	47	57							misc
HF79	174	17	27	17			*	w		42							limb
HF83	169	502															
HF83	169	47		65	45	*	*	w, g	130	48						Teenage	fe, clavicle
HF83	169	5		11	28	*	*	w	39	12						Teenage	frags
HF83	169	15		31	45	*	*	w	80	29						Teenage	frags
HF83	169	43		37	60	*	*	w	150	71						Teenage	skull, right temporal, frontal and parietal, limb
HF83	169	155		98	51	*	*	w	149	63						Teenage	fe, sk, r, v, misc
HF83	169	322		125	90	*	*	w, some unburnt	205	61						Teenage	fe, tib, vert
HF84	156	32	66	23	39	4	*	w, g, br			HSR						l, sk, misc
HF84	156	32	66			*	*	w	66	3						1	tooth, misc frags
HF85	157	7	8					w									
HF88	161	17	17					g-w									r, limb
HF89	179	2	4					w		11							sk, hu, limb, misc
HF90	183	14	12	10	2			w, gr, b		48							fragments
HF91	70 + 167	220	345					w, g,									
HF91	70			21	12		*	w, g,	33	12							highly fragmented - ?crushed
HF91	70			201	110			w, g,	311	17							highly fragmented - ?crushed
HF91	167			1				w	1	34							shaft fragment, ?fe
HF92	178	27	40	25	15		*	w, s		37							limb, misc
HF95	197	4	3	3				w		24							shaft frags
HF96	262										Animal						tibiotarsus, sacrum
HF96	262	60	18	15	2	1		w, bl/g,		55	sheep, goose						sheep/goat sacrum and goose tibiotarsus
HF99/100		21	12					w, g									
HF99/100	189			1				w, g	1	25							frags
HF99/100	188			2				w, g	2	41							frags
HF99/100	10			9				w, g	9	32							right MC5, r, misc
HF100	191	47	95	37	46	12	*	w, g, br			HSR						l, sk, misc
HF100	191	47	95	2		*	*	w	95	11							

HF101	266	6	2	2				w		35					skull
HF102	194	100	255	38	156	61	*	w, g, br			HSR				l, sk, misc
HF102	192	5	31	21	10			w, g		90					raad, sk, mc, scap
HF102	194	100	255	155	100	*	*	w	255	20					
HF105	221	81	25	20	3			w		47	HSR				skull, ulna, shaft frags, misc
HF105	221			2				w		48	Cattle				cattle scapula and hoof
HF108	230	1	2	2				g			Mammal				
HF109	205	1	1					g			Mammal				
HF110	207	3	2					unburnt			Mammal				
HF111	215	6	19	1	16	3	*	w, g, br			HSR				misc
HF111	215	69	19			19		w	19	4					
HF112		21	15					w, g							
HF112	222			3				w, g	3		Cattle				cattle tooth frags
HF112	224			12				w, g	12	15	HSR?				fragments
HF113	239	1	1		1			w		7	Mammal				
HF114	251										Mammal				
HF114	251	7	21	10	11			unburnt		28					right arm and ribs crem bone'
HF115	245	1	1		1			w		9					?radius frag
HF121	257	17	52	12	38	2	*	w, g, br			HSR				l, misc
HF121	257	17	52			*	*	w	52	4					
HF123	274	10	10	9	1			w		15					
HF124	253	9	2					w			Equid				Equid metatarsal and fragment
HF126	277 + 324	2874	141												
HF126	277 + 324			74	22	*	*	w, g, b,	96	65					sk, tib, fe, v, limb misc
HF126	277			32	29	*	*	w, g, b,	61	56					left MT3, r, pel, misc
HF126	324			48	32	*	*	w, g, b,	80	61					tib, fe, rad, ul, misc
HF129	272	49	23	13	10		*	w		61					fragments
HF131	268	23	12	8	4	*		g-w		45					
HF133	265	151	10					w							
HF136	281	937	822			*	*	w							
HF136	281			12	15	*	*	w, s	27	25					unidentifiable
HF136	281			140	78	*	*	w, s	218	48					fe, v, misc
HF136	281			219	125	*	*	w, s, g	344	66					sk, tib, fe, hu, v, r, scap
HF136	281			135	98	*	*	w	233	56					limb, sk, r, pel
HF137	288	15	19	15	4		*	s, w		37					
HF139	380	314	577	247	203	127	*	w, g, br			HSR		*		sk, l, v, r, mand, scap
HF139	380	314	577	91	105	*	*	w	577	46			Young		sk,

HF169	397			9	2	*	*	w	11	15							fragments
HF169	397			280	65	*	*	w, bl/g 5%	345	78							sk (parietal and misc), patella, pel, v,
HF169	397			257	82	*	*	w, b, g	339								fe, thor vert, pel, sk, misc
HF169	397			98	175	*	*	w, b, g	273								MC, ph, thor vert, misc
HF169	397			185	120	*	*	w, b, g	305								sk, lumbar v, MTs 2 and 2 other frags, r, misc
HF170	367	6	22	17	5		*	w		18							
HF176	391	186	97	27	70	*	*	unburnt/ charred		75							rad, ul, fe, sk
HF180	407	930	595	410	185	*	*	w, bl, g		70							v, sk, r, pel, scap, ll, ul
HF181	410	30	40	32	8		*	w									fragments
HF182	419	2005	783										F		1		1 bag of pot returned to CAT
HF182	419			3	25		*	w, s	28	32							sk, fe, misc
HF182	419			38	10	*	*	w, s	48	45							axis, sk, rad, fe, hu, misc
HF182	419			12	5	*	*	w, s	17	32							fe, v, misc
HF182	419			38	19	*	*	w, s	57	85							scap, sk, tib, misc
HF182	419			82	57	*	*	w, s, bl/g	139	94							mand, fe, rad, ul, tib, v, r, sk
HF182	419			38	29	*	*	w, s, bl/g	67	25							v, fe, misc
HF182	419			42	75	*	*	w, s, bl/g	117	130							hu, v, mand, sk, misc
HF182	419			68	75	*	*	w, s, bl/g	143	110							hu, tib, v, sk,
HF182	419			95	72	*	*	w, s, g	167	110							fe head, v, sk, fib, tib, pel
HF188	441	119	48	42	6	*	*	w, bl, g, ub		49							limb, v, r, sk
HF190	455	319															
HF190	455				39		*	w, s	39	9							
HF190	455			10	31	*	*	w, s	41	13							
HF190	455			21	31	*	*	w, s	52	12							
HF190	455			45	38	*	*	w, s	83	47							limb, vert
HF190	457			35	18	*	*	w, s	53	29							vert, skull inc orbit, tibia
HF195	480	19		5			*	w		36							limb, sk, misc
HF196	483	2	1	1				w		37							
HF198	493	37	25	19	6		*	w		33							r, v, misc
HF199	496	1080	454														
HF199	496			12				w, g	12	38							misc
HF199	496			22			*		22	42							misc
HF199	496			325	95	*	*		420	98							rad, ul, tib, thor vert, teeh, skull, mand

HF200	534	166	85	70	15	*	***	black, some w	85	46						v, limb, misc
HF201	511	198	516	98	279	139	*	w, g, br			HSR		*	*		sk, l, v, r, misc
HF201	43	15	57	18	39	*	*	w		13						frags
HF201	511	198	516	154	345	*	*	w	516	31						sk,
HF201	508	72	80	76	4	*	*	w	80	40						misc, skull
HF203	504	6	1	1				w	1	18						
HF204	506	63	69	49	20	*	*	w	69	42						v, pel, misc
HF206	542	49	23	23			*	w	23	36						
HF209	527	675	774										Young			
HF209	527					18		w	18							
HF209	527					15		w	15							
HF209	527			35		85		w	120	13						
HF209	527					65	***	w	65							
HF209	527			20		85		w	105	12						
HF209	527				11		*	w	11	9						
HF209	527						***	w	92	15						
HF209	527			135	52	*		w, bl/g	187	62						sk, rad, pel, thor vert, fe
HF209	527							w	161	85						tib, sk, hu, misc
HF214	540	1325	540	420	120	*	*	unburnt to w	540	120		?M	Young			tib, fib, hu, pel, vert, scap, clavicle, tarsals, skull
HF216	544	1	3	3				w	3	12						
HF219	549	258	564	136	277	150	*	w, g, br			HSR	?M	*	*		sk, l, v, r, misc
HF219	549	258	564	107	402	*	*	w	564	47		?M	Adult			fe
HF220	553	114	124	114	10	*	*	w, some unburnt	124	45						limb frags
HF268	565	24	75	65	10	*	*	w	75	14						
HF271	595	17	30	5	25		*	w, some unburnt	30	41						limb frags
HF272	563	13	19	19			*	w	19	31						
HF282	578	1	10			10		w	10	4						
HF283		58	231	45	195	*	*	w, g								
HF283	579							w, g	21	10						
HF283	586							w, g	210	13						
HF284	591	186						w								
HF284	591							w	4	10						
HF284	591							w	6	4						
HF284	591			40	15	*	*	w	55	39						
HF284	591							w	1	31						skull frag
HF284	591							w	33	29						
HF284	591							w	9	26						

HF284	591							w	2	15						
HF284	591							w	12	55						
HF284	591							w	4	66						
HF284	591							w	5	31						
HF284	591			19	4	*	*	w	23	29						
HF284	591			24				w	12	24						
HF284	591				25	*	*	w	25	9						
HF284	591							w	15	11						
HF284	591							w	49	16						
HF285		86	46													
HF285	591			19			*	w	19	14						
HF285	599			27			*	w	27	64						thoracic vert, limb, misc
HF287	613	34	84	31	39	14		w, g, br			HSR					l, sk, misc
HF287	613	34	84			*	*	w	84	8						
HF287	612	2	2	2				w	2	14						
HF295	601	394	324	192	132	*	*	w, bl, g	324	73		Young				skull, pel, v, misc
HF299	606	39	37	31	6	*	*	w	37	19						misc, vert, lumbar vert
HF307	640	870														
HF307	640			48	11	*	*	w, s	59	55						fe, v, misc
HF307	640			15	8	*	*	w, s	23	48-110						pel, tibia, v, misc
HF307	640			47	28	*	*	w, s	75	54						rad, fe, hu, v
HF307	640			73	21	*	*	w, s	94	66						fe, hu, tib, pel. Sk
HF307	640			65	42	*	*	w, s	107	56						mand, mc, sk, rad
HF307	640			118	51	*	*	w, s, bl-g	169	52						tib, fe, scap, clav, v
HF307	640			7	12	*	*	w, s, bl-g	19	68						hu, misc
HF346	701	762	585													
HF346	701			9				s, w, bl/g	9							r, misc
HF346	701			31	22	*	*	w, s	53	45						r, misc, limb
HF346	701			105	84	*	*	w, s	189							ul, ll, pel, v, mt, hand
HF346	701			192	125	*	*	w, s, g	317	58-82						tib, fe, hu, el, scap, sk, sac
HF346	701			17		*	*	w, s	17							misc
HF354	713	755	523													
HF354	713			21	47	*	*	w, s, g	68							frags
HF354	713			25	65	*	*	w, s, b, g	90							frags
HF354	713			1	8	*	*	w	9	23						frags
HF354	713			4		*	*	w	4	49						inc rib

									bl/g															
HF575	887	203	307																					
HF575	887			31	35	*			w, g	66	31													rad, v, misc
HF575	887			146	95	*			w, g	241	27													ul, v, misc
HF598	899	455	294						w, g, s, bl/g		68													
HF598	899			4					w, g	4	15													Fragment, no ID
HF598	899			43	32	*	*		w, g	75	68													rad, ulna, tib, vert
HF598	899			47	18	*	*		w, g, s	65	31													sk, v, l
HF598	899			70	38	*	*		w, g, s, bl/g	108	64													fe, rad, thor v, misc limb
HF598	899			29	13	*	*		w, g	42	60													tib, misc limb, v
HF602	920	958	62	*					b-w	62	35	HSR												limb
HF602	920		25	*					b-w	25	43	HSR												ul, v
HF602	920		79	*					b-w	79	54	HSR												limb, v
HF627	931	15	7						un, b, w			HSR		*										misc
HF627	931											Cattle												t
HF633	986	18	18						b-g, sand/w			Mammal												
HF634	951	77	29						w			Mammal												
HF647	1028	7	1						w			Mammal												misc
HF688	1046	396	141	85	31	25	*		g-w		53-60	HSR		*										v, limb, sk, misc
HL4	417	26	5		*	*			w			Mammal												misc
HL4	473	17	7		*	*			unburnt			Mammal												misc
HL4	546	114	53		*	*			unburnt			Mammal												misc
U/S	104	351	179	94	35	50	*		br-w		71-64	HSR		*										v, ll, ul, sk, misc

Appendix 4b Inhumations (a summary catalogue of the inhumations)

Sex: M = Male, F = Female, U = uncertain

Ages: A = adult; J = Juvenile; N = Neonatal/P = Prenatal; YA = Young Adult; SA = Sub-Adult; UN = uncertain age

Feature	Ctx/Grave	M/F/U	A/J/N/P	M	A	YA	J	SA	Un	?A	?J	Complete?	Side	Path	Trauma	Dental	Degenerative	Arthritis	Ethnicity	Burnt	Count	Wt	Comments	
HF3	11	F	A		1						1	inc												
HF18	42	U	U						1		1										6	5		
HF18	44,	U	A		1						1							1			126	271		arthritis on femur head

Appendix 5 Catalogue of building material

Appendix 5a Ceramic building material (CBM)

BR=other brick; OT=other tile; PT=peg-tile (dated 13/14C+); RBT=Roman brick and tile; RB=Roman brick; RFT=Roman flue tile; RI=Roman imbrex; RT=Roman tile/tegula;

TES=Roman tesserae; UN=unidentified

HAF=height at flange; LCA=lower cut away; UCA=upper cut away

Fabric: r=red, pr=pale red, c=cream (white); inclusions: f=silty-sandy fabric with few other visible inclusions; pc=pale clay, sf=sparse flint; sq=sparse quartz, is=ironstone/iron rich sand, rs=red ?sandstone

Context	Find no.	Type	Description	Cut away	Fabric/ colour	thick (mm)	Re-used	abr	no.	Wt/g	period	spot date
HF2	16	RBT			r			*	1	40	Rom	
		RBT			r			*	1	40	Rom	
HF10	15	RFT	Combed face (type V7, CAR 6)		r				1	115	Rom	L1/2-4C
HF17	34	RBT	frags		r				4	7	Rom	
HF22	52	RBT	Prob brick		r				1	11	Rom	
HF23	112	RI	Prob imbrex		r	14			1	45	Rom	
HF27	50	PT							5	142	Med/ p-med	
HF28	54	PT			r				1	16	(poss Rom)	13C+?
HF32	72	TE			r				1	21		
HF40	109	RBT			r			*	3	29	Rom	
HF46	106	RT	Part of LCA	*	r	19			1	106	Rom	
HF50	94	RT	HAF 40mm		r	22		*	1	259	Rom	
		RI			r				1	58	Rom	
HF55	120	RBT			c				2	63	Rom	
		RBT			r				1	61	Rom	
HF71	134	RBT			r			*	1	33	Rom	
HF93	185	RBT			r			*	1	21	Rom	
HF96	906	RBT	Prob brick		r	30			1	43	Rom	
	262	RBT	Prob RT		r	16			4	142	Rom	
HF99	188	RBT	frag		r				1	20	Rom	
		RBT			c/pr	22			1	189	Rom	
		PT	Orange buff sandy fabric		r				1	54	Med-pmed	13C+
HF99/ HF100	189	PT			r				1	13	Med-pmed	13C+
HF105	220	RBT			r				1	31	Rom	
HF109	204	RBT	prob RT		r	18			1	111	Rom	
HF110	207	TES	25 x 15 x 20mm		r				1	18	Rom	
		RBT			r				2	191	Rom	
HF112	222	RBT			r				1	14	Rom	
HF121	256	RFT	Faint scored lattice keying		r	18			1	20	Rom	M/L1-M/L2C
HF124	253	RBT			r				3	59	Rom	
		TE			r				2	38		
HF126	323	RT	Part of cut away	C5?	r				1	32	Rom	L2-M3C?

Context	Finds no.	Type	Description	Cut away	Fabric/ colour	thick (mm)	Re-used	abr	no.	Wt/g	period	spot date
		RI			r	11 & 12			2	111	Rom	
		RBT			r				1	47	Rom	
		RB			r	28			1	124	Rom	
HF133	265	RT	Flange piece		r				1	40	Rom	
		TE			r				1	12		
HF140	157	BR	prob brick		r			*	1	4	pmed/mod	
HF142	307	RBT			r			*	2	25	Rom	
HF143	299	RBT			r				1	15	Rom	
HF152	333	RBT			r			*	1	61	Rom	
	346	TE			r				1	30		
HF160	337	RBT	frags		r				4	191	Rom	
HF161	344	PT	Part of peg hole		r				2	64	Med-pmed	13C+
HF163	366	TES	no mortar, 25 x 20 x 15mm		r				1	11	Rom	
		RBT			r				2	92	Rom	
		RBT			r			*	1	25	Rom	
HF164	352	RBT			r				1	154	Rom	
HF170	392	RT	frag		r				1	33	Rom	
		RI	Prob imbrex		r	13			1	93	Rom	
F177	442	RI			r				1	27	Rom	
		RFT	Combed, one with round cut out		r				2	125	Rom	L1/2-4C
HF178	398	TE			r				1	26		
HF179	411	RBT			r				1	60	Rom	
HF187	187	RBT			r			*	1	7	Rom	
HF193	461	RBT			r				1	102	Rom	
HF194	477	TES	no mortar 25 x 20 x 18mm		r				1	20	Rom	
HF197	490	RFT	combed		r	19		*	1	60	Rom	L1/2-4C
	490	PT	Orange buff sandy fabric, part of peg hole		r				1	27	Med-pmed	13C+
	519	RBT			r			*	1	29	Rom	
		PT			r				1	9	Med-pmed	13C+
HF200	535	RBT	Sandy frag, prob Rom		r			*	1	17	Rom	
HF210	572	RBT	Prob RT		r	25			1	189	Rom	
HF296	628	RBT			r				1	5	Rom	
		PT			r				1	18	med/p-med	13C+
HF301	614	RI			r				1	98	Rom	
HF304	624	RB	Corner MSL 100 mm		r	30			1	202	Rom	
HF305	662	RB			r	40			1	785	Rom	
HF337	648	RBT			r				1	96	Rom	
HF353	710	PT?	Probably PT (poss thin Rom?)		r	12			1	126	Med-p-med?	
HF360/ HF361	944	RI	360 (Sx3)/361 (sx1)		r				1	181	Rom	
HF383	803	RBT	Frag, prob Rom		r				1	4	Rom	

Context	Finds no.	Type	Description	Cut away	Fabric/ colour	thick (mm)	Re-used	abr	no.	Wt/g	period	spot date	
HF390	674	RBT			r				1	113	Rom		
HF392	670	RBT			r			*	1	180	Rom		
	691	RBT	frags		r				2	32	Rom		
HF394	684	TES	No mortar 30 x 25 x 20mm		r				1	32	Rom		
		RI			r				2	127	Rom		
		RBT			r				2	88	Rom		
		RB	MSL 180		r	35			1	1363	Rom		
HF397	692	RI			r	14-15			2	215	Rom		
		RBT			r				9	929	Rom		
		RB?	Floor brick? (<i>spicae?</i>), near complete, 24 x 75 x 100mm, rather small for Brodribbs range (Brodribb size range 135 x 40 x 40mm – 145 x 50 x 45mm). Floors of herringbone <i>spicae</i> are only recorded from North Hill & North station road (Dunnet 1966 & CAT Report 193)		r	24-25			1	356	Presumed Rom		
		RB			r	35-40			2	766	Rom		
F399 surface	690	RBT			r	34			1	267	Rom		
		RB	Corner MSL 14mm		r	26			1	577	Rom		
F399 sx2	697	RT	Flange piece		r				1	69	Rom		
		RBT			r				5	174	Rom		
F399 sx2	763	RBT			r				3	121	Rom		
		RB			r	40			1	83	Rom		
F399 sx2	769	RBT			r				1	49	Rom		
F399 sx3	746	RI			r	15			1	72	Rom		
		RB			r	30		*	1	467	Rom		
F399 sx3	760	RBT			r				1	47	Rom		
		RB	Corner MSL 130mm		r	30			1	648	Rom		
F399 sx3	766	RBT	misc		r				4	188	Rom		
F399 sx5	867	RT	HAF 35-40mm		r	15			1	175	Rom		
F399 sx5	868	RT	HAF 40mm, Cut-away C5 (L2-M3C)	C5	r	16			2	216	Rom	L2-M3C?	
		RBT			r				7	241	Rom		
		RB	Prob both brick		r	30, 35			2	437	Rom		
F399 sx6	878	RI	Prob imbrex		r	12			1	68	Rom		
		RFT	combed		r				1	64	Rom	L1/2-4C	
		RBT	misc pieces, prob from one tile, fragmenting, poss burnt?		r					7	123	Rom	
		RBT	Misc, much quite broken up		r					10	988	Rom	
		TE			r					1	20		
F399 sx7	979	RI	Two thick pieces		r	13, 17			3	527	Rom		
		RBT			r				1	21	Rom		
		RB			r	26, 33		*	2	525	Rom		
F399 sx8	996	RFT	Combed flue tile		r				1	479	Rom	L1/2-4C	

Context	Finds no.	Type	Description	Cut away	Fabric/ colour	thick (mm)	Re-used	abr	no.	Wt/g	period	spot date
		RBT			c	30			1	64	Rom	
		RB	MSL 14mm		r	30			11	3000	Rom	
F399 sx9	997	RBT	misc prob all Rom		r				4	205	Rom	
F403	742	UN			r			*	1	3	Rom	
F407	752	PT			r				2	42	med/p-med	13C+
F408	758	RBT	prob Rom		r			*	1	9	Rom	
F409	751	RBT			r				1	47	Rom	
		PT			r				1	10	med/p-med	13C+
		BR			r				1	62	pmed/mod	
F417	750	TE			r				1	25		
F451	778	RBT			r				1	49	Rom	
F464	829	RT	Flange frag		r				1	74	Rom	
		RT	Misc flanged pieces, one with dog prints, HAF 40mm with two at 50mm		r	20-24			7	1488	Rom	
		RI			r	17		*	1	69	Rom	
		RI			r	12-15			3	302	Rom	
		RBT			C/pr	20			1	52	Rom	
		RBT	Misc pieces, prob all Rom		r			*	15	563	Rom	
		RBT			c	25			1	65	Rom	
		RBT	Some abraded		r			*	14	2230	Rom	
		RB	One with hobnail print		r	40-50			10	1720	Rom	
		OT	Unusual flanged piece with curving body and smooth underside/interior, prob p-med/mod chimney pot?		r	14			1	279	Pmed/mod?	
F468	797	RBT	One piece thin, poss FT		r	14, 17			2	170	Rom	
F511	939	RB	2 large pieces, 2 tiles, W 240mm, MSL 260mm; MSL 135mm		r	35			2	3500	Rom	
		RB	4 large pieces, MSL 240mm		r	30-35			4	4000	Rom	
F514	896	RBT			r				1	84	Rom	
		PT			r	9			2	77	med/p-med	13C+
F525 sx1	844	RBT			r			*	1	236	Rom	
F526					r				1	20	med/p-med	13C+
F538	857	RT	Two tiles		r	15, 21			2	1200	Rom	
		RBT			r			*	1	54	Rom	
		RB			r	35			1	95	Rom	
F546	860	RT	Prob RT		r				1	230	Rom	
F548	879	RB	Prob brick		r	35			1	325	Rom	
F551	921	RBT	reduced		grey				1	48	Rom	
		RBT			r				3	50	Rom	
F560	895	RI			r	15			1	208	Rom	
F562	846	RBT	frag, prob Rom		r				1	5	Rom	
F577	877	RT			r				1	8	Rom	

Context	Finds no.	Type	Description	Cut away	Fabric/ colour	thick (mm)	Re-used	abr	no.	Wt/g	period	spot date
		RI			r				1	70	Rom	
		RBT			r				4	253	Rom	
		RB			r	30			1	261	Rom	
		RB	Edge curved, prob shaped as column brick		r	40			1	1080	Rom	
F581	888	TES	No mortar, 40 x 25 x 25mm		r				1	41	Rom	
		RFT	combed		r				1	37	Rom	
		RBT	Abraded pieces and many small frags		r			*	8	334	Rom	
F599	876	RBT			r			*	2	38	Rom	
		RBT			c/pr			*	3	103	Rom	
	902	OB	Coarse sandy		r				1	164	p-med/mod	p-med/mod
F601	918	RI			r				1	165	Rom	
F605	927	RBT			r				1	87	Rom	
F618	933	RB			r	35			1	35	Rom	
F627	932	RBT	Prob over fired or burnt		grey				1	66	Rom	
		RBT			r			*	5	152	Rom	
F628	936	RI			r				1	15	Rom	
		RBT	frags		r				2	20	Rom	
		RBT			r				2	305	Rom	
F632	966	RBT			r				2	12	Rom	
F633 sx2	949	RT			r	16			1	57	Rom	
		RT	Thin RT (poss RFT ?)	UCA?	r	15			2	170	Rom	
		TE			r				1	20		
		RB			r	35			1	95	Rom	
	992	RI			r	11 & 16			2	453	Rom	
		RBT			r			*	3	128	Rom	
F638	953	TES	Made from combed flue tile, 28 x 17 x 14mm		r				1	14	Rom	L1/2-4C
		RBT	misc		r				3	78	Rom	
	951	RB	One corner piece (30mm thick), MSL 140mm		r	30, 35 & 40			3	1348	Rom	
F640	964	RBT			r				6	307	Rom	
F641	959	RBT	frags		r			*	13	47	Rom	
	1012	RBT	frags		r				6	172	Rom	
F642	962	RBT			r				4	77	Rom	
F644	1002	RT	Mortar over break, LCA through flange		r	22	*		1	977	Rom	
		RT	Mortar over flange		r	18	*		2	1090	Rom	
		RI			r				1	83	Rom	
		RBT	Three pieces reused with mortar over break			15-30	*		10	1395	Rom	
		RB	Brick corner pieces, MSL 17 mm, piece reused with mortar over break		r		*		4	3543	Rom	
		RB	Pieces, prob all brick, two pieces reused with mortar over break		r		*		11	3704	Rom	
F645 sx2	976	RBT	Frag one burnt/over fired grey		Grey r				2	12	Rom	

Context	Finds no.	Type	Description	Cut away	Fabric/ colour	thick (mm)	Re-used	abr	no.	Wt/g	period	spot date
		RBT	Poss scored flue tile piece		r				1	71	Rom	
		RBT			C/pr				1	37	Rom	
F650	981	RBT	frag		r			*	1	10	Rom	
F653	991	RFT	Plain pieces		r	13-15		*	2	444	Rom	L1/2-4C
		RB			r	30-35			3	1225	Rom	
F662	999	RI			r				2	154	Rom	
		RBT			r				2	106	Rom	
F664	1002	RT	Cut away or remains of chamfer?	?	r	20			1	547	Rom	
		RBT	Mortar on surface		c	22			1	314	Rom	
		RB	MSL 16mm		r	30			5	2207	Rom	
	1003	RT	HAF 42mm		r	22			1	263	Rom	
		RB	Appear to be brick		r	26, 28			1	907	Rom	
	1004	RT	HAF 42mm		r	17, 20			3	788	Rom	
		RI	Some mortar trace on break		r		?		1	352	Rom	
		RBT			r				1	137	Rom	
		RB	Prob all bick		r	30-40			5	1191	Rom	
	1005	RI			r				1	287	Rom	
		RB	Corner, MSL 130mm		r	40			1	698	Rom	
F666	1036	RBT			r				1	137	Rom	
		RBT			r				1	137	Rom	
F668	1014	RBT	Mortar over breaks		r		*		5	966	Rom	
		RI			c	20			1	598	Rom	
		RI			r				2	225	Rom	
		RB			r	40	*		5	1414	Rom	
		RB	Tile fabric appears to have pushed out from mould when being made, MSL 190mm		r	20	*		1	827	Rom	
	1017	RT	Mortar over breaks, HAF 40mm		r	22	*		1	387	Rom	
		RFT	Lattice cut surface, mortar over lattice		r	25			1	362	Rom	1C
		RBT			r				2	806	Rom	
		RB	Regular, wide crease around top edge similar to that found on edges of p-med-mod bricks		r	30			1	655	Rom	
		RB			r	30-40			4	1720	Rom	
		RB	thick		r	50			1	563	Rom	
		RB	Mortar on surfaces, some over breaks MSL 240		r	38-40	*		6	3500	Rom	
	1018	RB	Mortar on surface		r	35			1	576	Rom	
F674	1034	RBT			r			*	1	5	Rom	
F687	1045	RI			r				3	103	Rom	
		RBT	misc		r				8	129	Rom	
F688	1046	UN			r			*	1	3		
L4	010	RB			r	35-40		*	1	223	Rom	
	148	RI			r				2	137	Rom	
		RBT			r			*	5	155	Rom	

Context	Finds no.	Type	Description	Cut away	Fabric/ colour	thick (mm)	Re-used	abr	no.	Wt/g	period	spot date
		PT			r				3	38	Med-pmed	13C+
	336	RBT	Prob brick					*	1	64	Rom	
	545	RI			r	11			1	44	Rom	
US	1	RT	Cut-away C5 (L2-M3C)	C5	r	18			1	263	Rom	L2-3C?

Appendix 5b Building stone

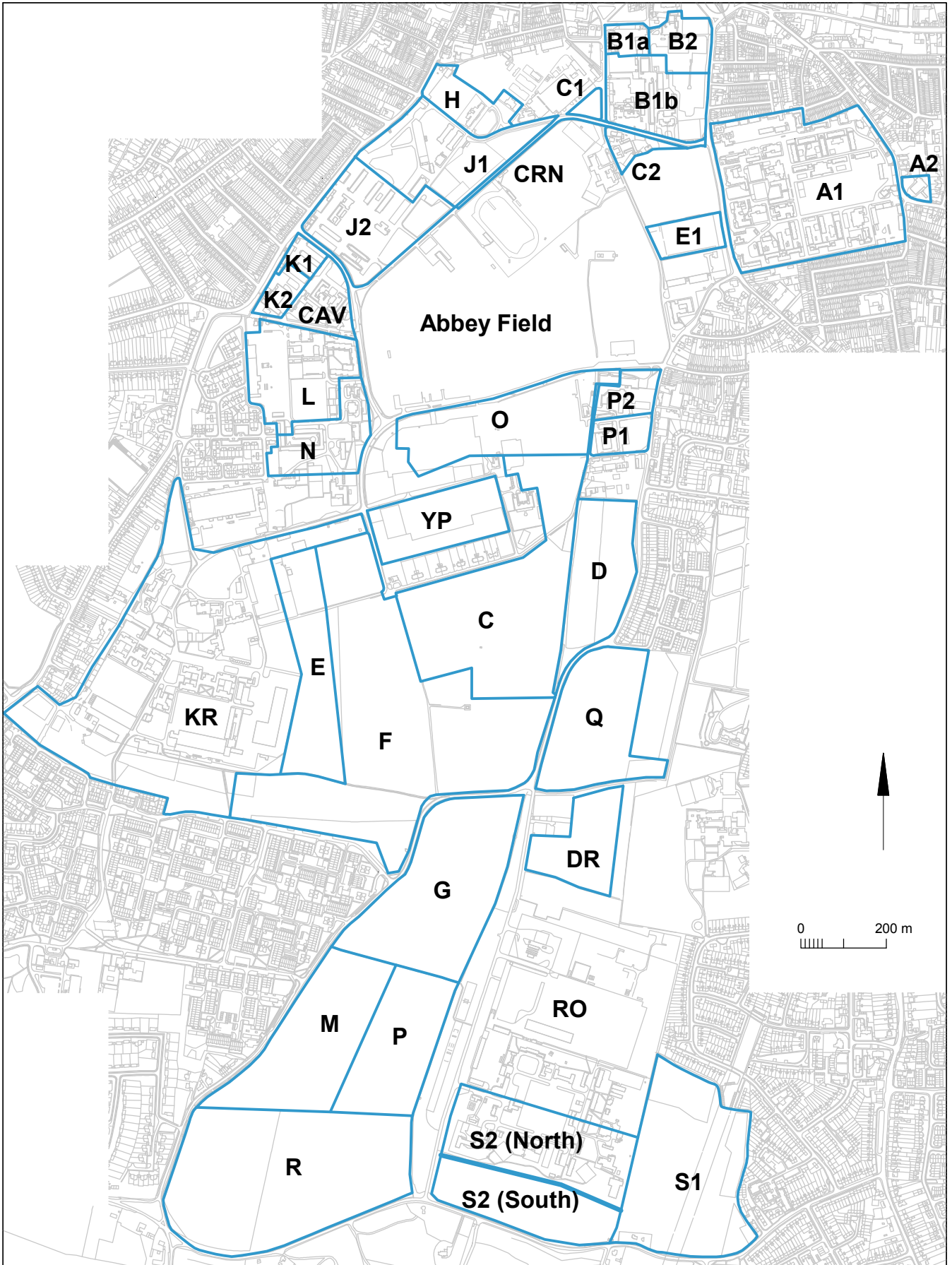
Greensand limestone (probably Kentish Ragstone):

Most - Hard, (translucent appearance on break) grey to whitish-grey with small dark (glaucanite) inclusions and mica(?)

Some - Medium-soft, white with medium-large (up to 4 mm) green (sand) inclusions and Medium-soft, white with small dark (glaucanite) inclusions

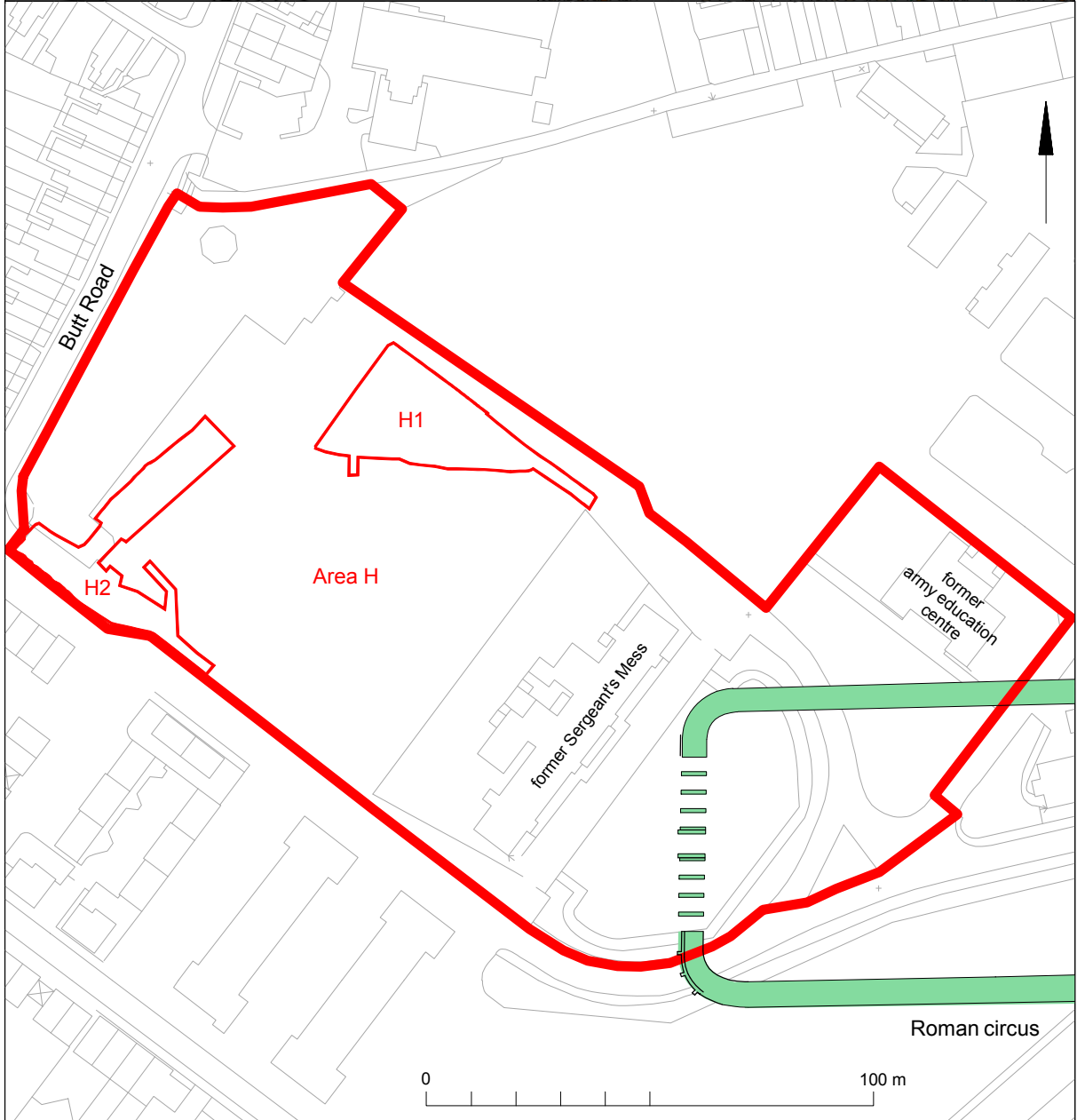
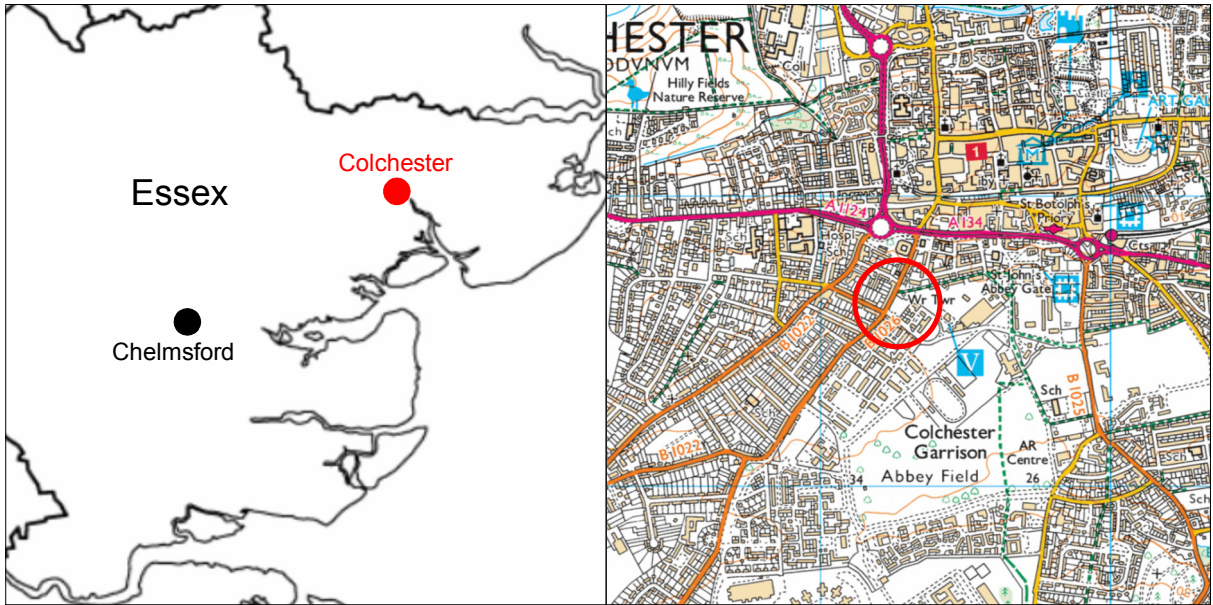
Context	Finds no.	Stone type	Description	Mortar	no.	Wt/g
F40	109	Limestone chalk			1	86
F133	265	Septaria			1	99
F143	299	Septaria			1	91
F169	502	Limestone			1	37
F170	368	Septaria			5	14
F172	383	Limestone (burnt)			1	37
F197	490	Septaria			1	206
F218	548	Septaria			1	75
F270	615	Limestone			1	30
F302	625	Septaria			2	136
F397	692	Septaria			4	90
F399 surface	690	Septaria		*	1	1086
F399 sx1	693	Limestone	Rough squared rectangular piece		1	1087
F399 sx2	697	Greensand limestone			1	471
F399 sx2	763	Greensand limestone	Sub-rectangular lumps		1	533
F399 sx2	769	Septaria			1	286
F399 sx3	766	Limestone	Sub-rectangular lump		1	702
F399 sx5	868	Septaria			3	115
F399 sx7	979	Greensand limestone	Sub-rectangular lump		1	171
		Limestone			1	105
F399 sx8	996	Septaria			1	1932
		Greensand limestone			2	1275
F413	748	Greensand limestone	Sub-rectangular lumps		2	908
	749	Septaria			4	391
F451	778	Greensand limestone	Irregular, broad, sub rectangular lumps, some striations on flatter facing(?) surfaces possibly from finer working, pale brown mortar on surface of larger pieces	*	3	7522
F464	829	Septaria			2	155

Context	Finds no.	Stone type	Description	Mortar	no.	Wt/g
F525	844	Limestone	Sub-rectangular lumps		1	479
F538	857	Greensand limestone	Pale grey, lacking obvious greensand inclusions		1	2068
		Greensand limestone	Irregular, roughly squared rectangular lumps		3	3230
		Flint	Large irregular nodule, cortex broken away on some extremities but not flaked		1	2948
		Greensand limestone	Grey limestone, irregular, roughly squared rectangular lumps, some pale whitish mortar on surface of larger piece	*	2	4801
		Greensand limestone			1	276
		Greensand limestone	Grey limestone with dark (green sand) inclusions, irregular, roughly squared rectangular lumps, and other irregular pieces		7	5603
F617	929	Greensand limestone	Irregular, sub rectangular lumps		3	2472
		Greensand limestone	Rectangular lump, visible fine layering (bedding planes) in stone section, olive galucanite inclusions, flat surface parallel to bedding planes and either a natural or worked to fine finish surface		1	1701
F618	942	Greensand limestone			4	4198
F628	936	Septaria			16	2230
		Greensand limestone	Hard, light grey-green, micaceous limestone		1	482
	946	Septaria			9	2518
		Greensand limestone			1	2678
		Greensand limestone	Irregular, sub rectangular lump		1	458
		Septaria		19	3204	
F633 sx1	970	Septaria			1	320
F640	983	Septaria			1	190
F651	984	Limestone			1	24
F653	991	Greensand limestone	Sub-rectangular lump		1	1022
F664	1002	Greensand limestone	Sub-rectangular lump		1	510
		Limestone	Sub-rectangular lumps		4	517
	1005	Greensand limestone	Sub-rectangular lumps		2	700
F668	1015	Greensand limestone?	Curving face, part of column/moulding, small trace of op-sig mortar, large green (sand) inclusions	*	1	2500
	1016	Greensand limestone	Irregular, broad, sub rectangular lumps, some pale brown mortar on surface of larger piece	*	2	3624
F689	1047	Limestone			1	172



© Crown copyright. All rights reserved. Licence number 100039294.

Appendix 6 Location plan of all Colchester Garrison 'Areas'



Copyright Colchester Archaeological Trust. © Crown copyright. All rights reserved. Licence number 100039294.

Fig 1 Site location

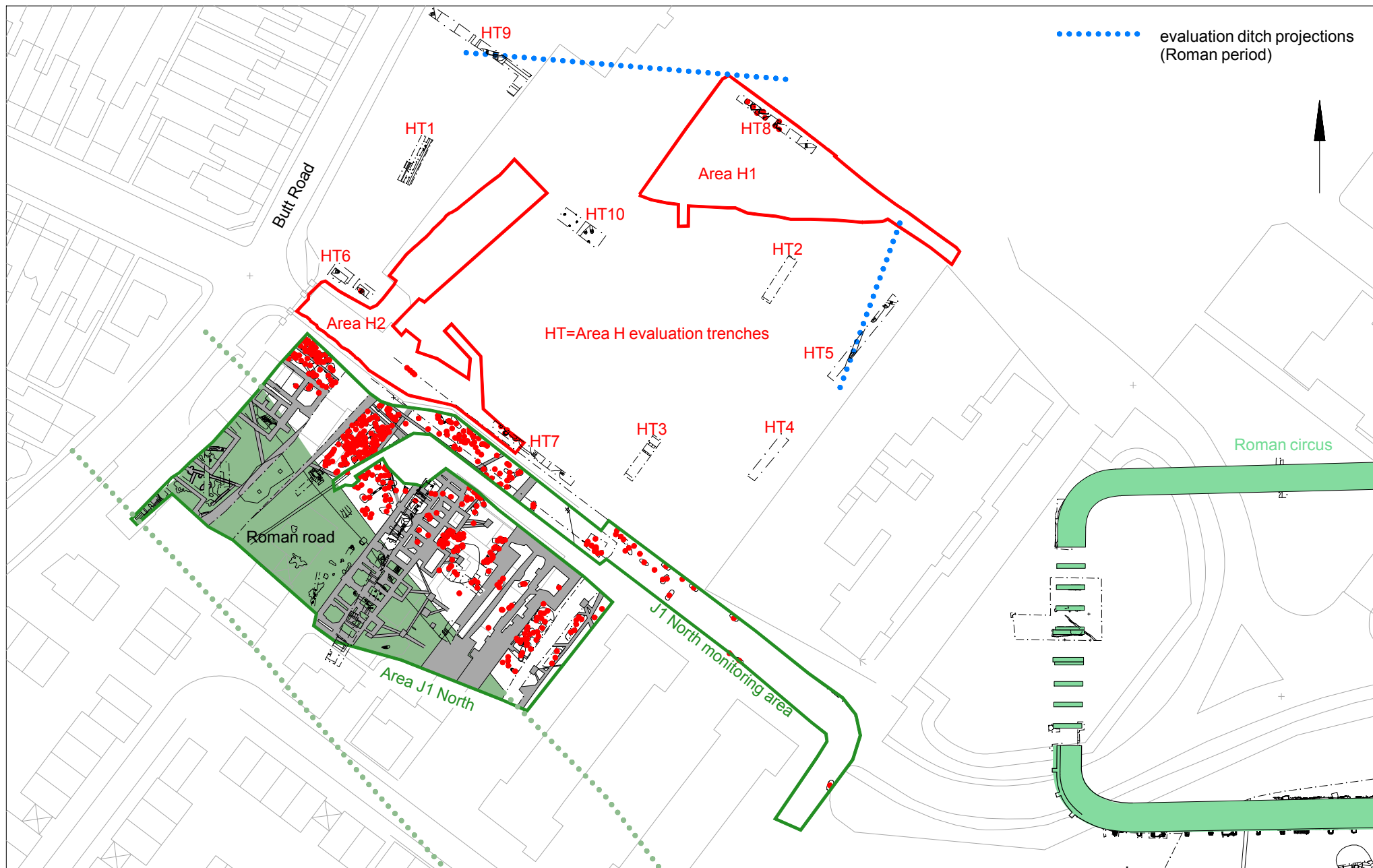
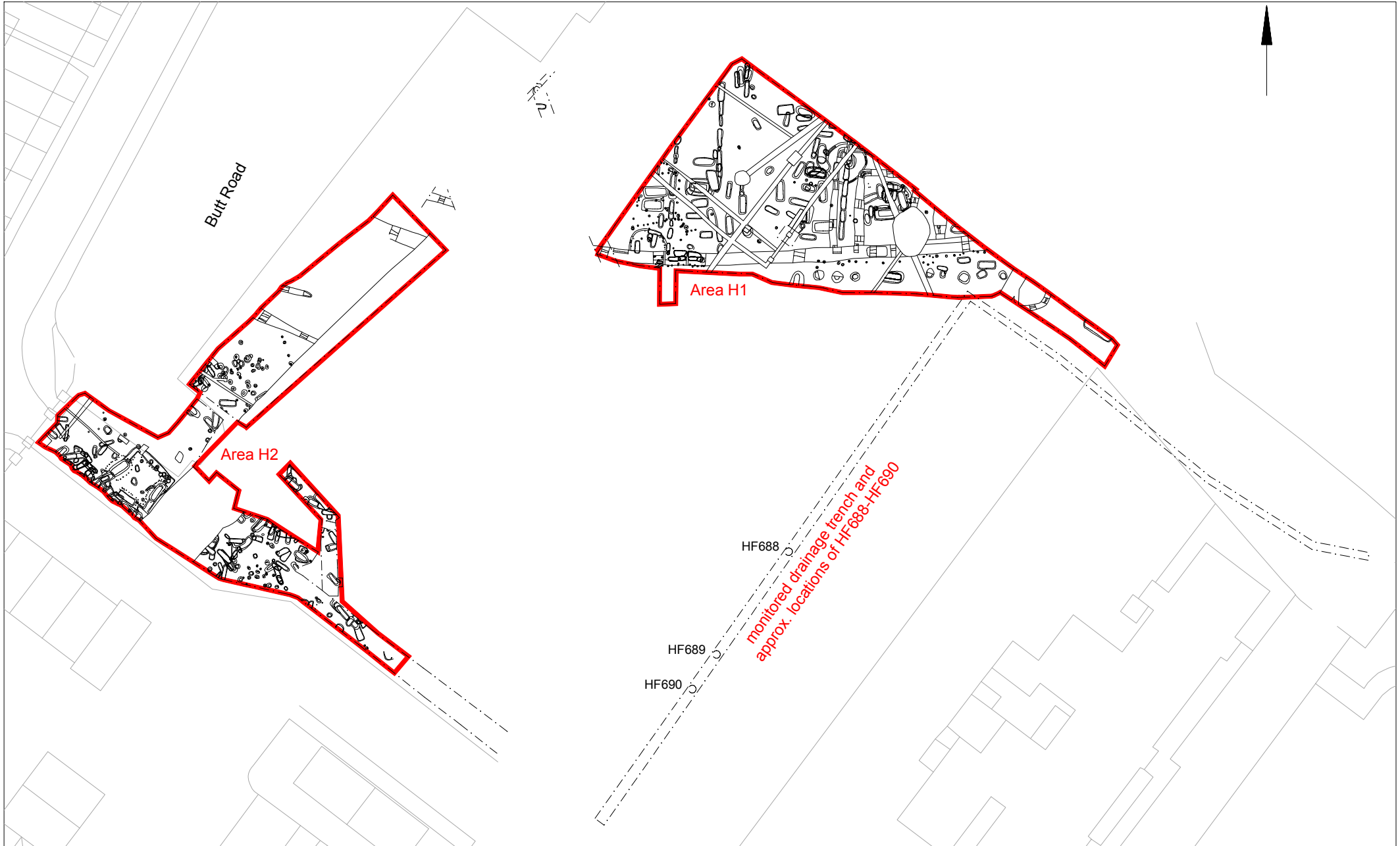


Fig 2 Excavation areas in relation to the Roman circus, J1 North and H evaluation trenches (Roman burials shown by red dots)

Copyright Colchester Archaeological Trust. © Crown copyright. All rights reserved. Licence number 100039294.





Copyright Colchester Archaeological Trust. © Crown copyright. All rights reserved. Licence number 100039294.

Fig 3 Results

0 50 m

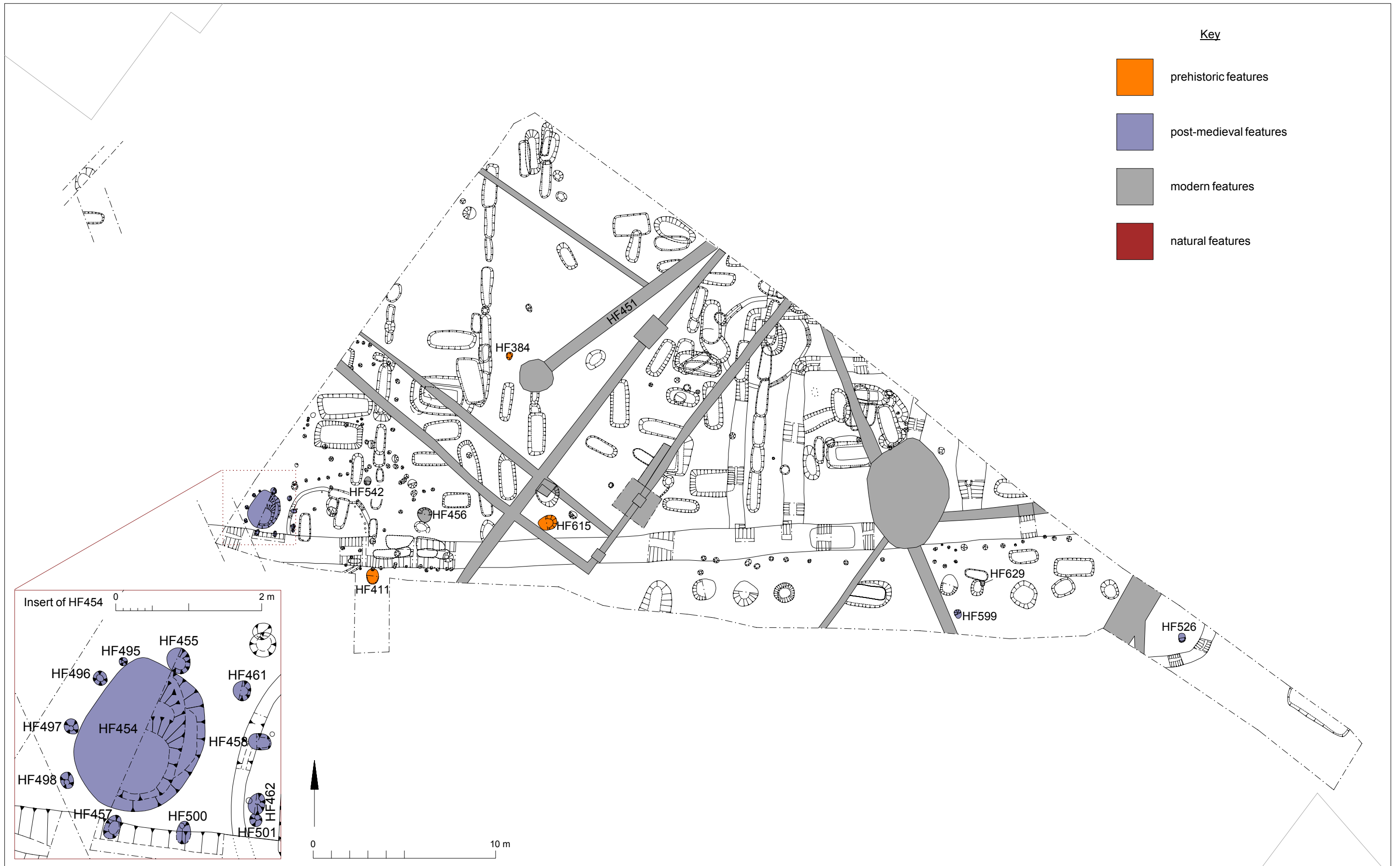


Fig 4 Area H1: all non-Roman features

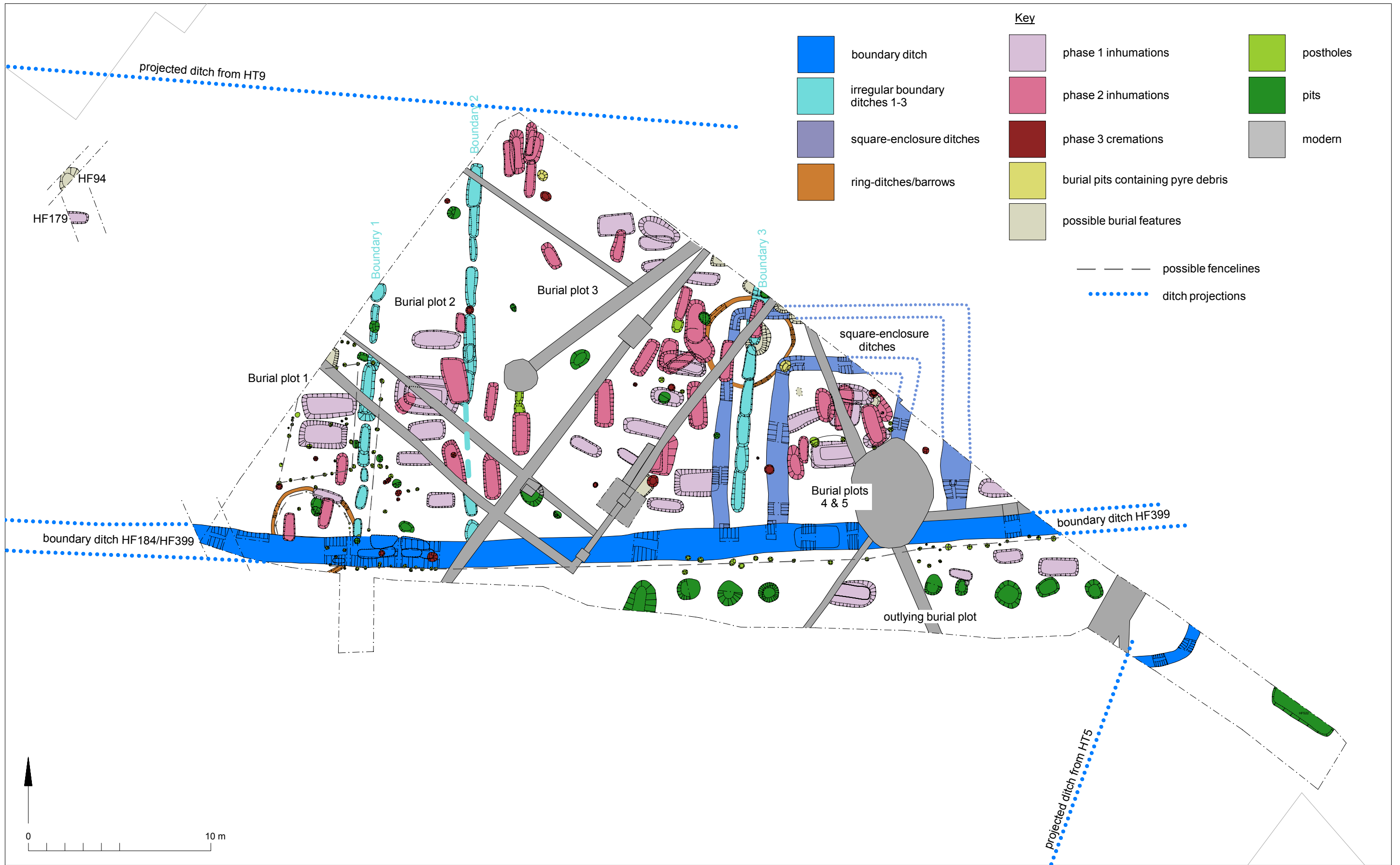


Fig 5 Area H1: Roman features

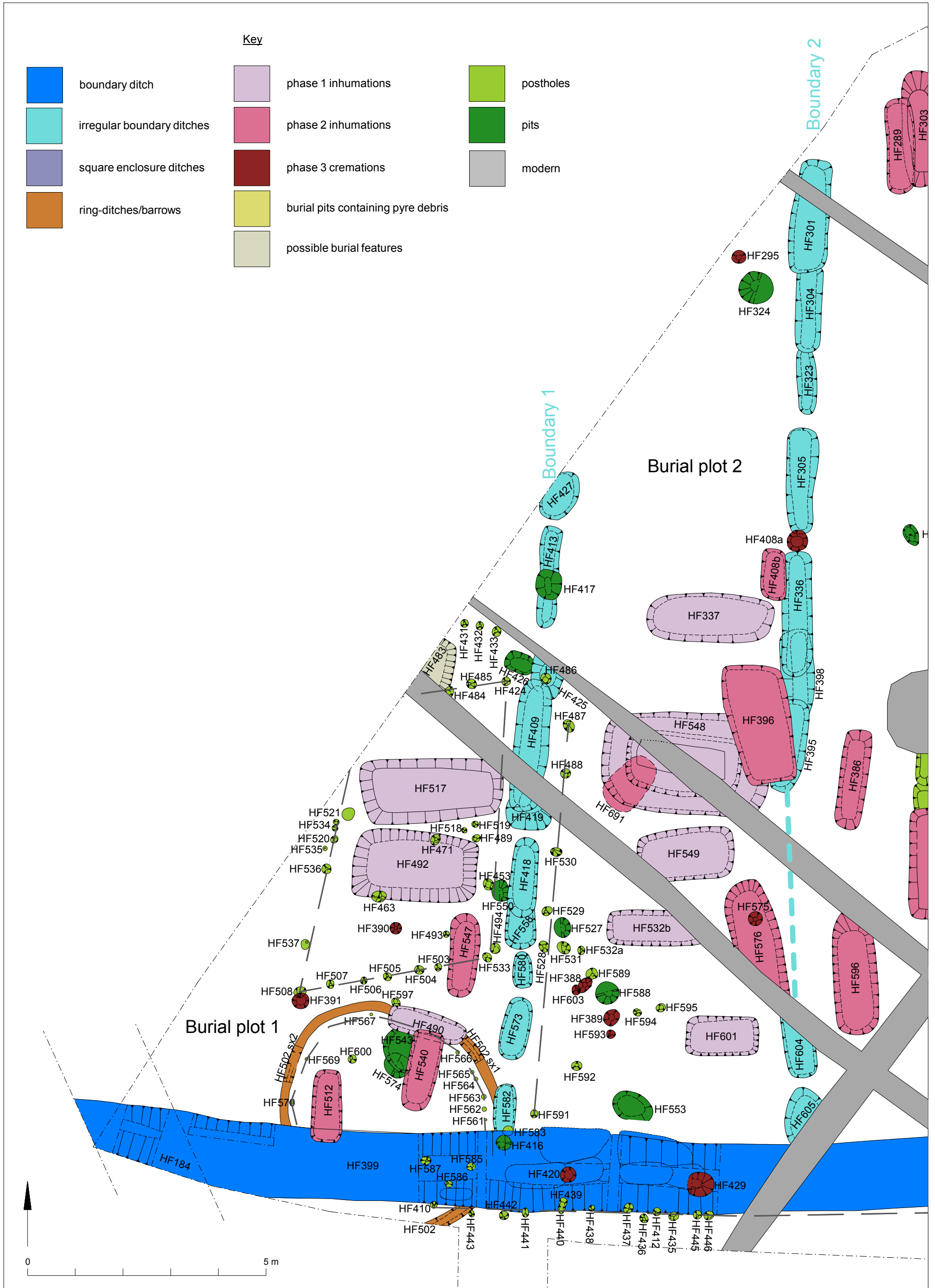


Fig 6.1 Area H1: close-up of Roman features (including Burial plots 1-2)

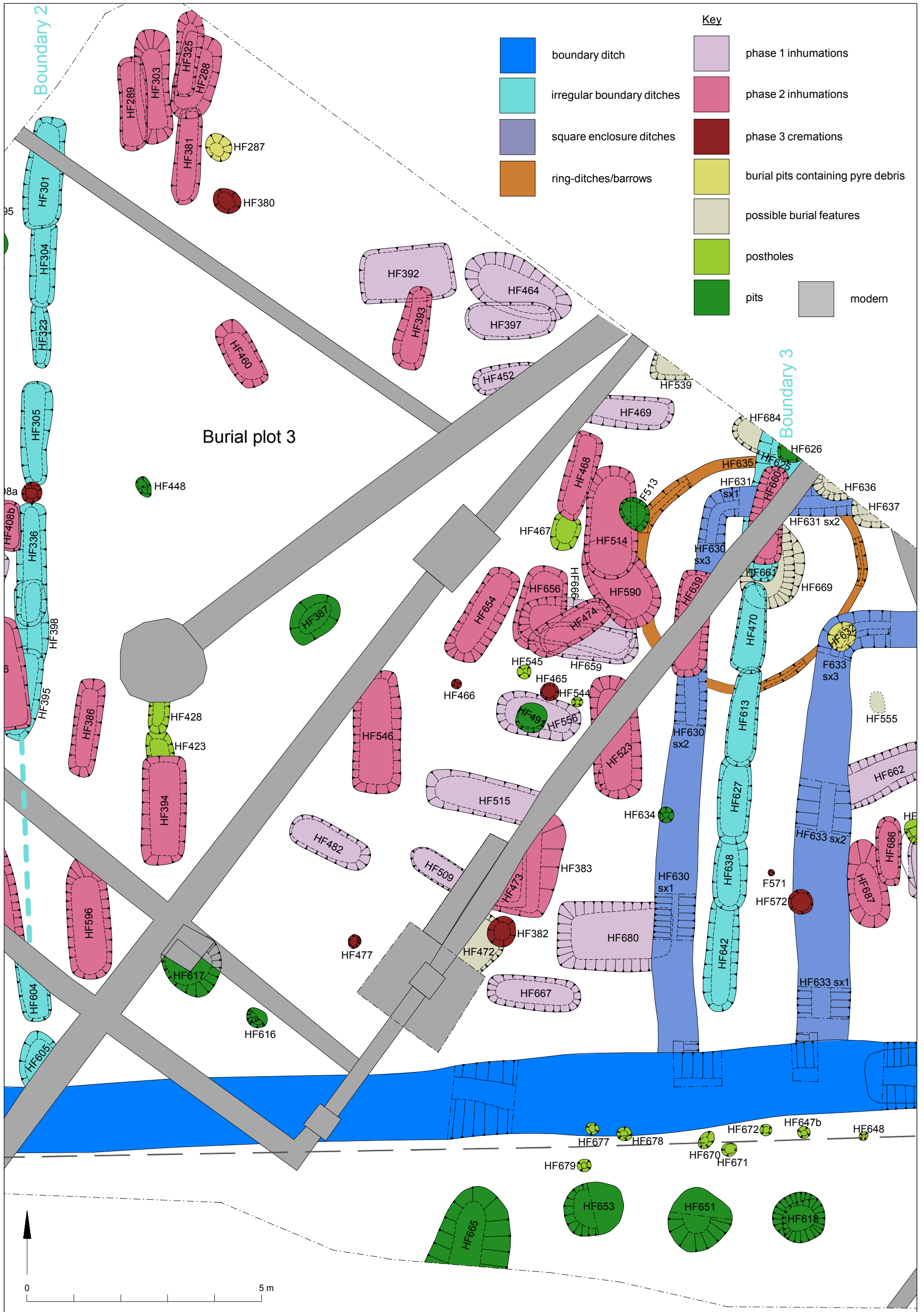


Fig 6.2 Area H1: close-up of Roman features (including Burial plot 3)

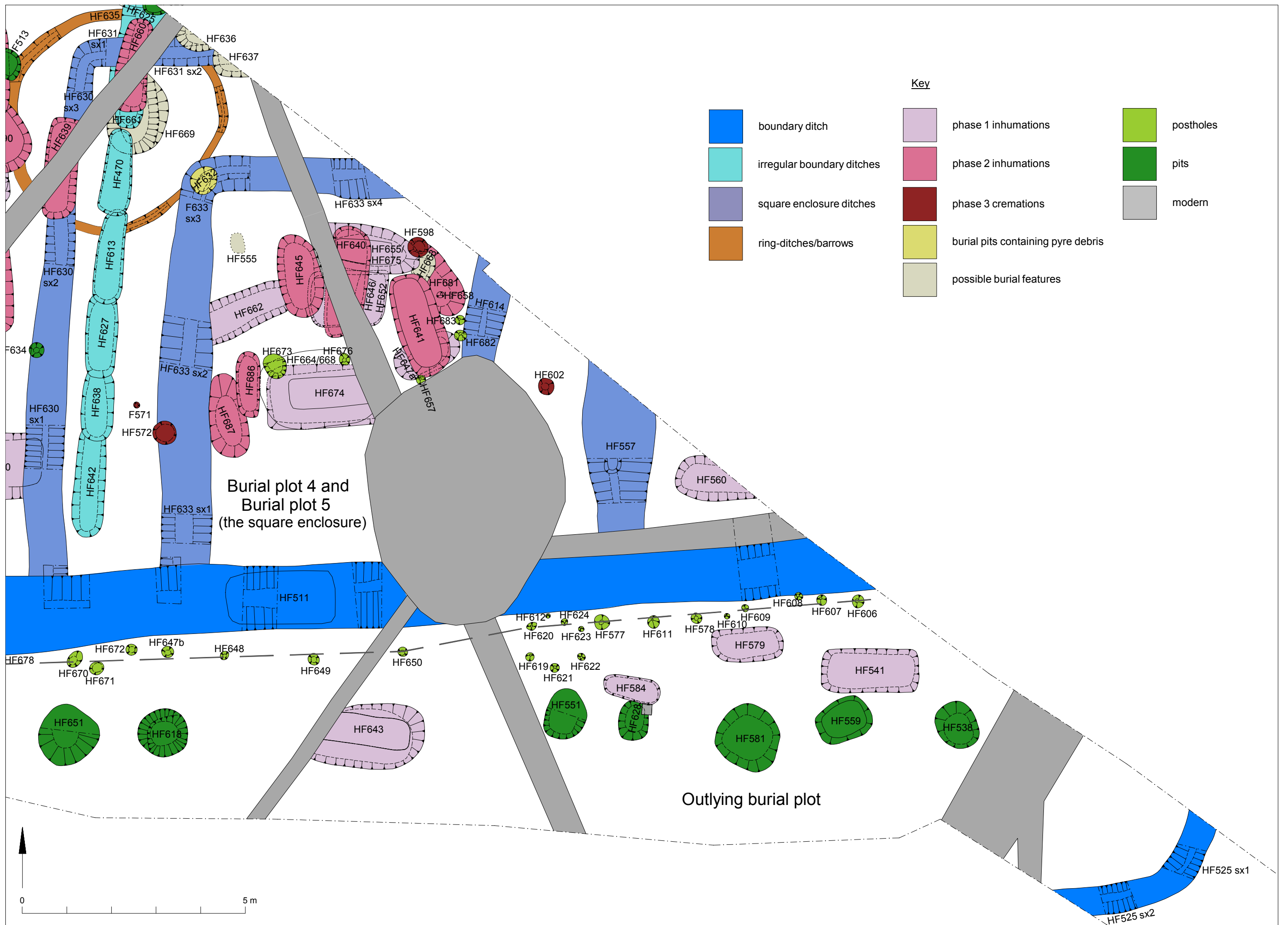


Fig 6.3 Area H1: close-up of Roman features (including Burial plots 4-5 and the outlying burial plot)



Fig 7 Area H2: all non-Roman features

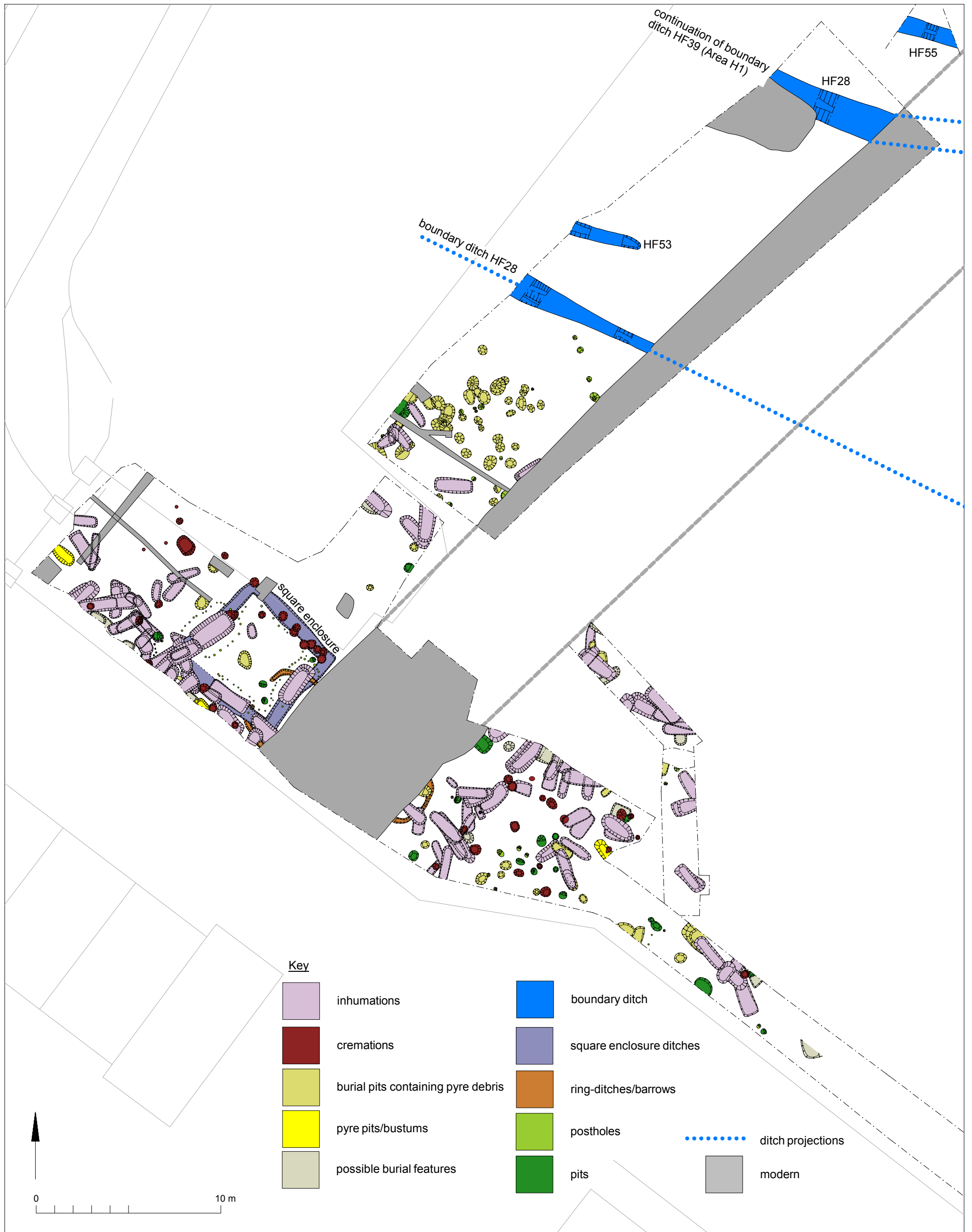


Fig 8 Area H2: all Roman features

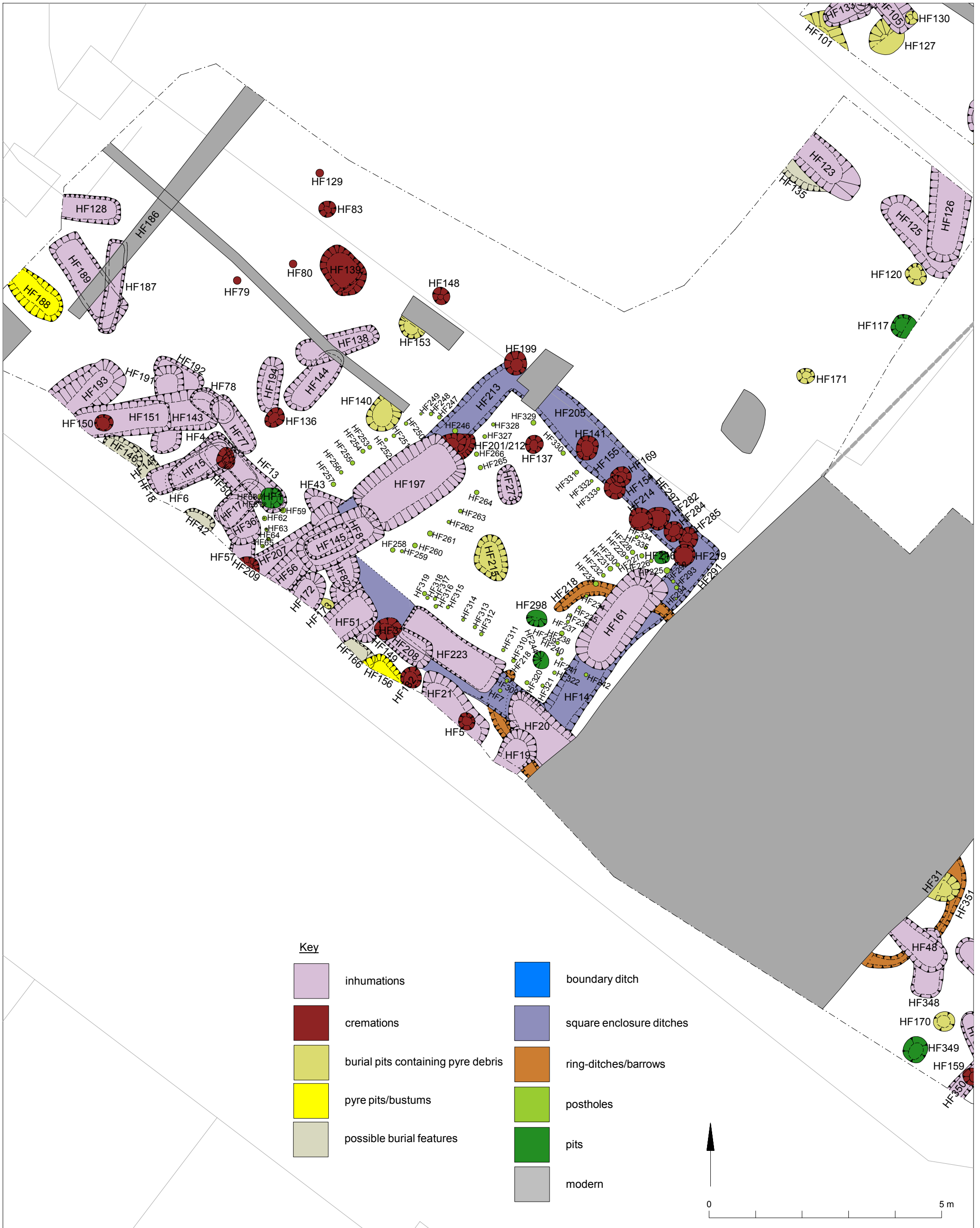


Fig 9.1 Area H2: close-up of Roman features

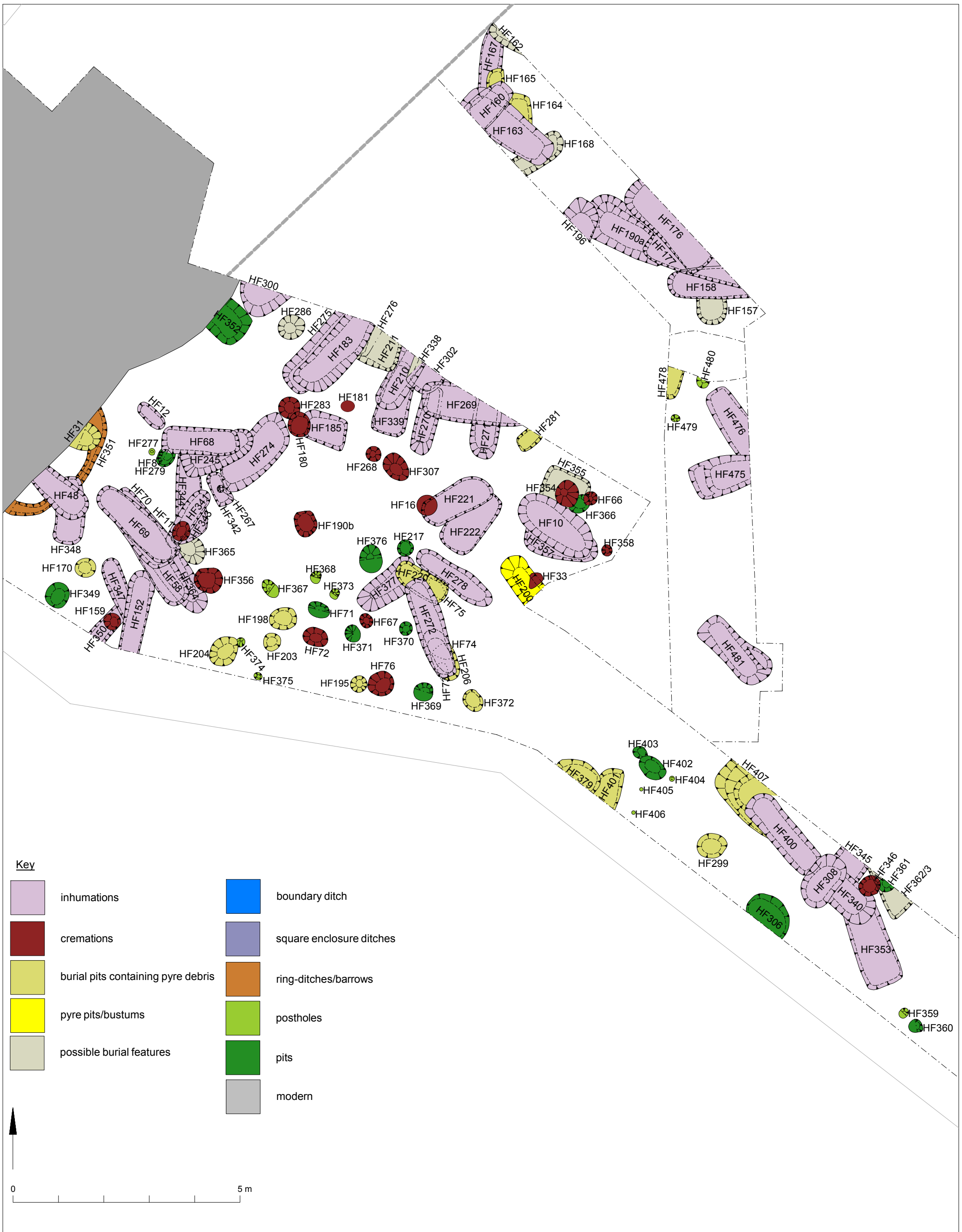


Fig 9.2 Area H2: close-up of Roman features

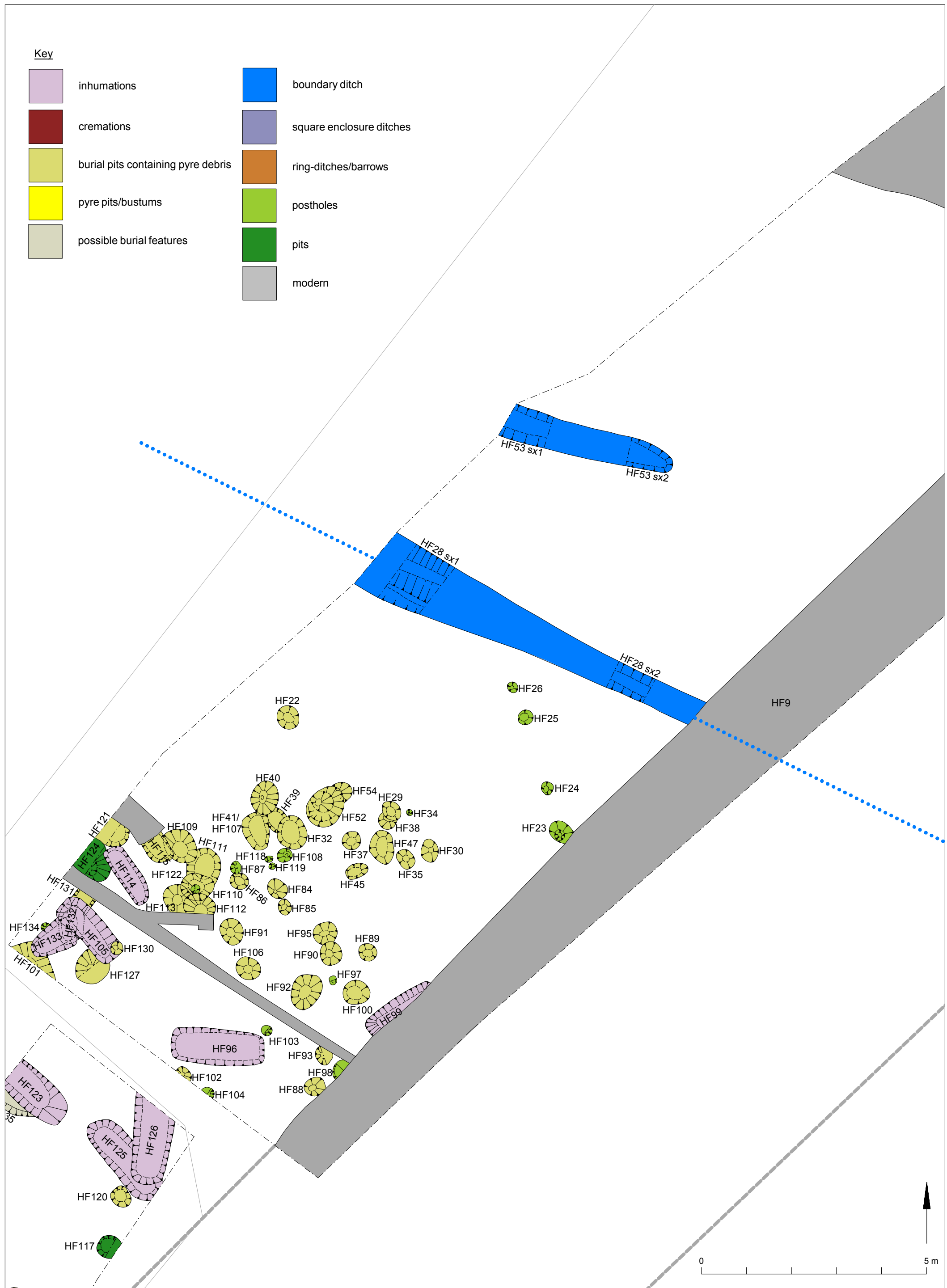


Fig 9.3 Area H2: close-up of Roman features

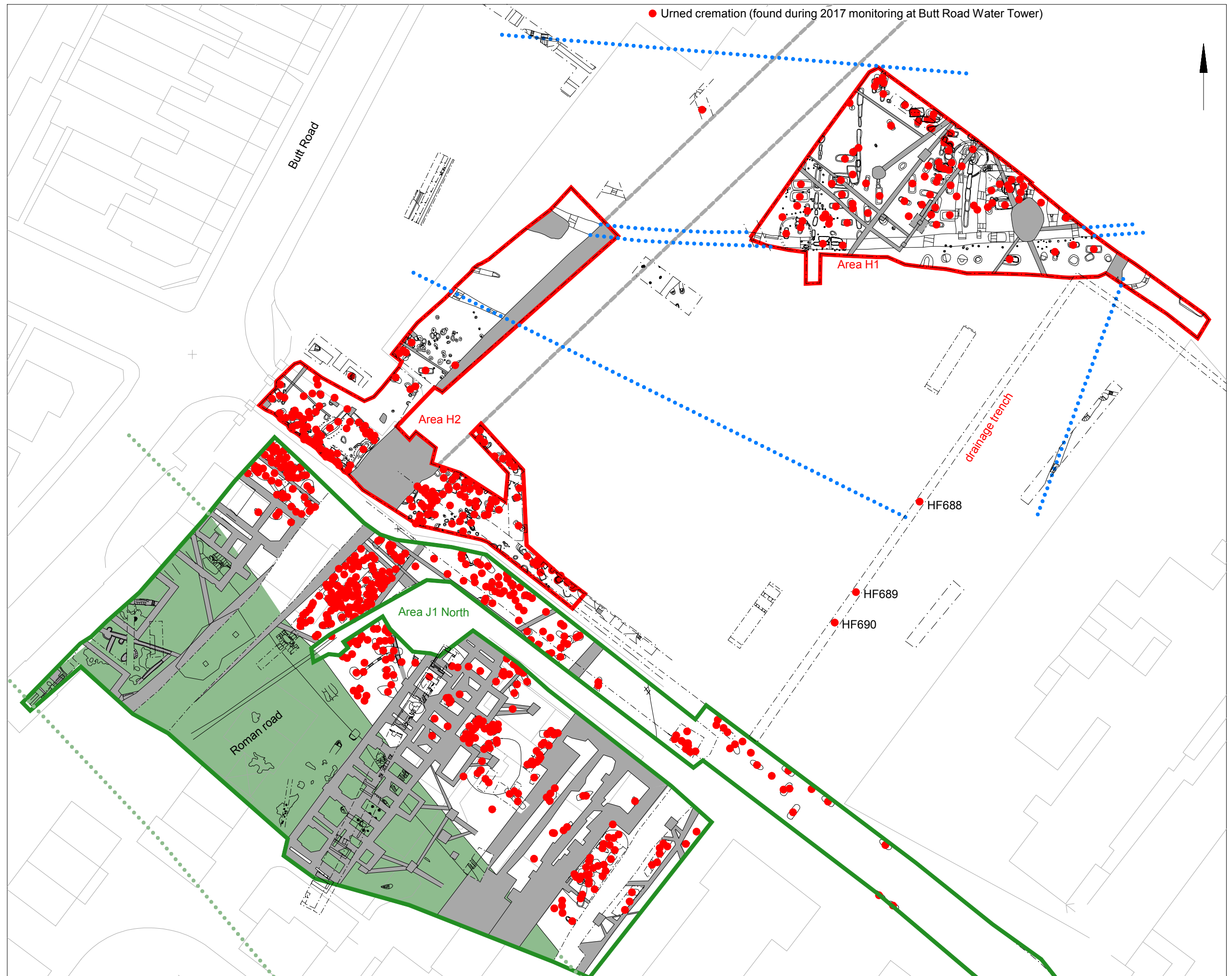


Fig 10 Distribution of burials (red dot) in Area J1 North and Area H and ditch/boundary projections (dotted blue lines).

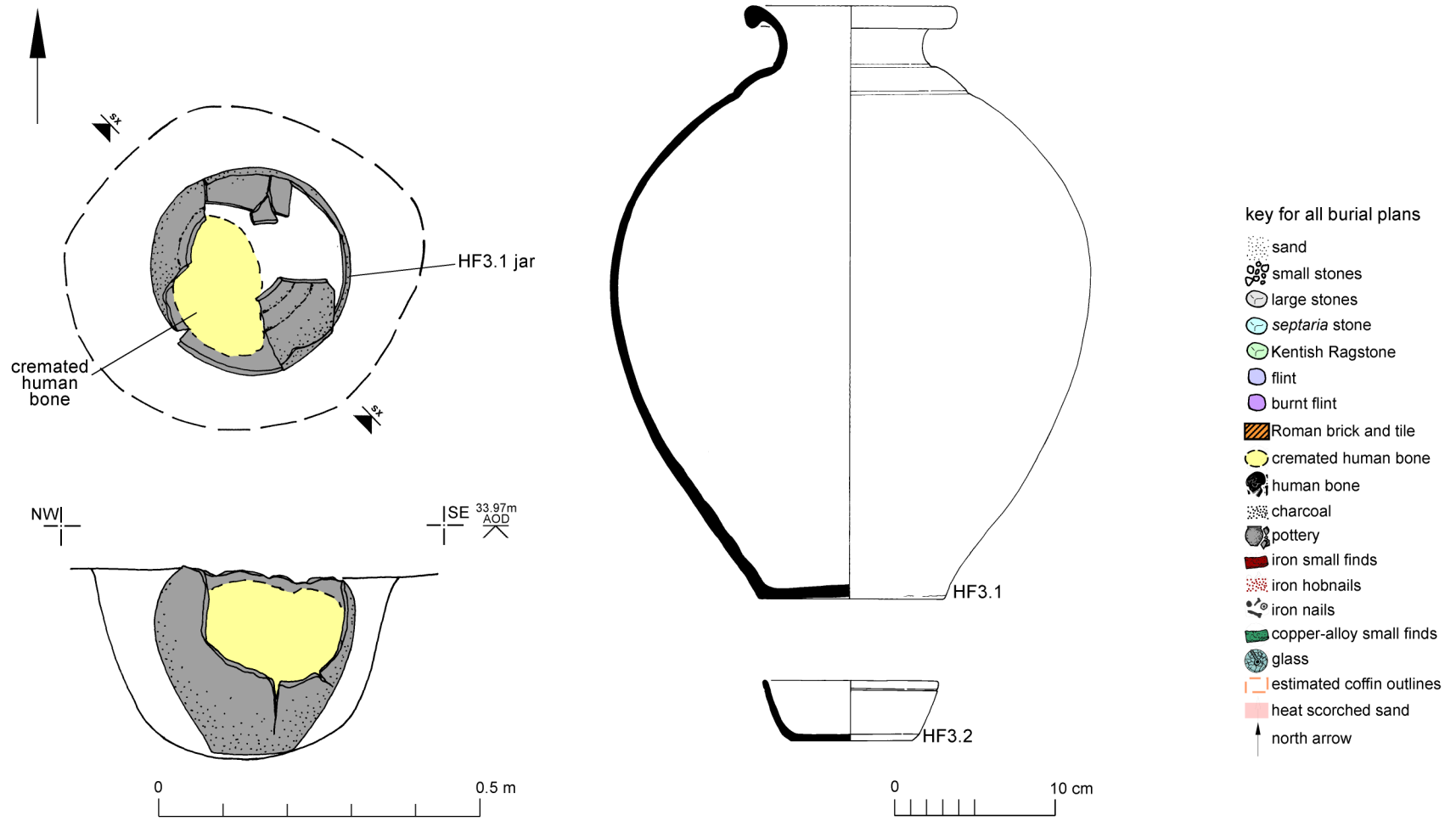


Fig 11 HF3: burial plan, section, pottery and key to all burials and burial sections.

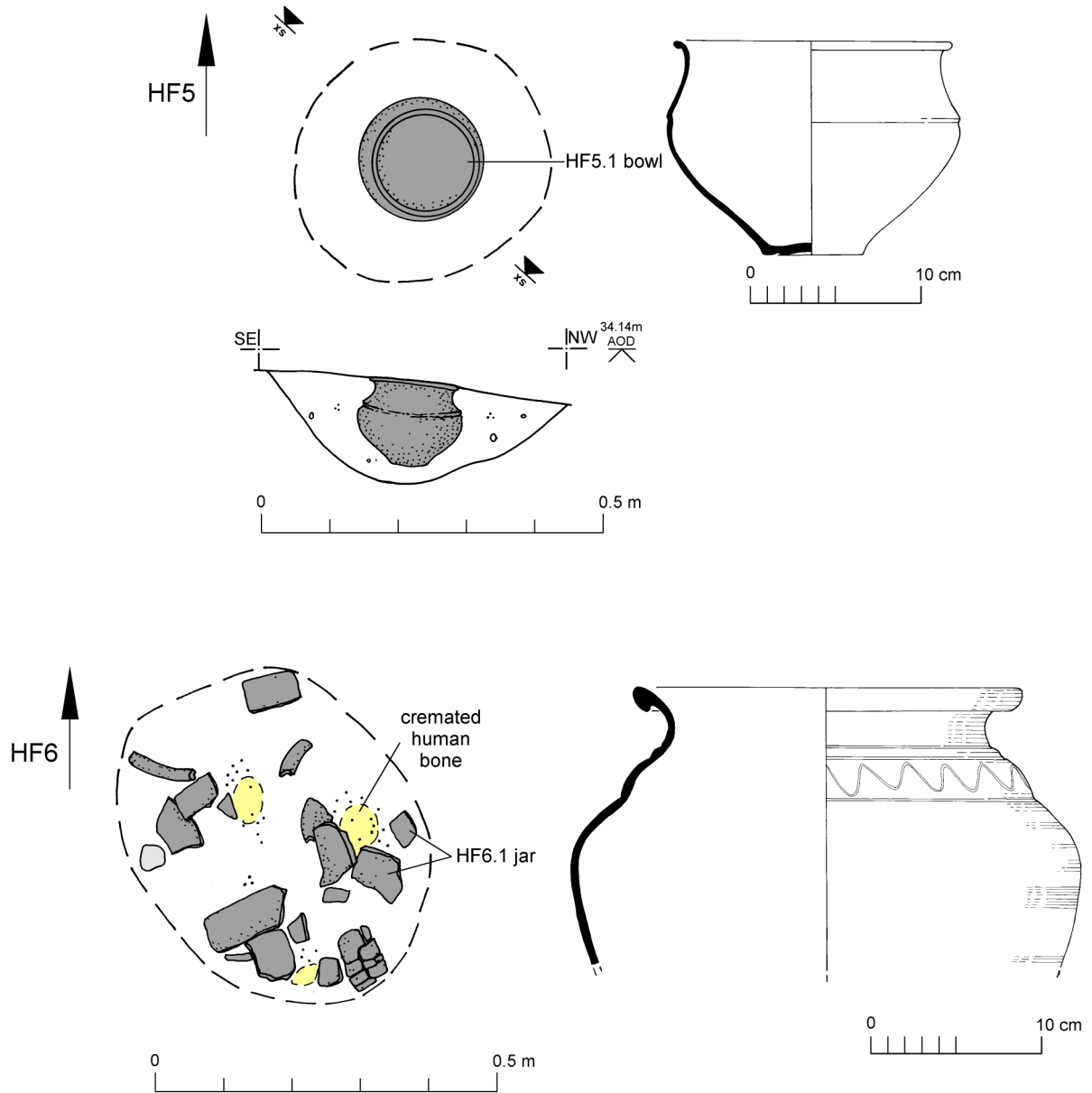


Fig 12 HF5 and HF6: burial plans, section and pottery.

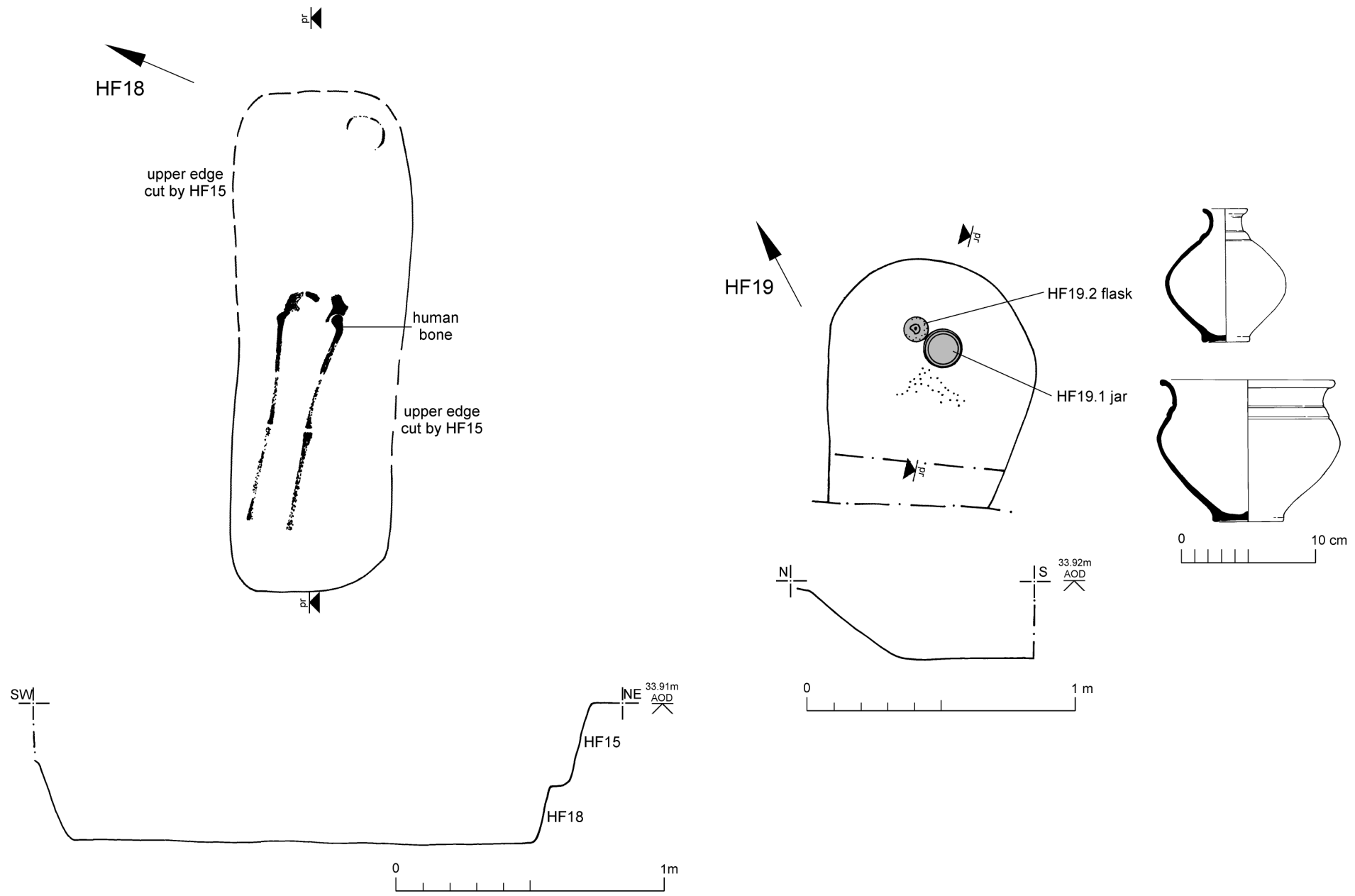


Fig 13 HF18 and HF19: burial plans, profiles and pottery.

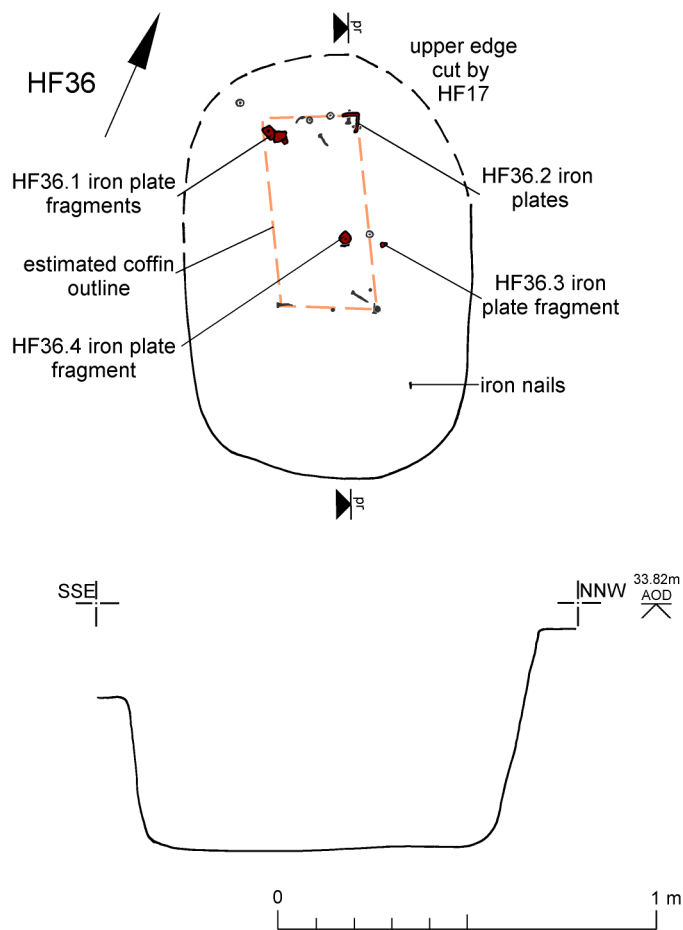
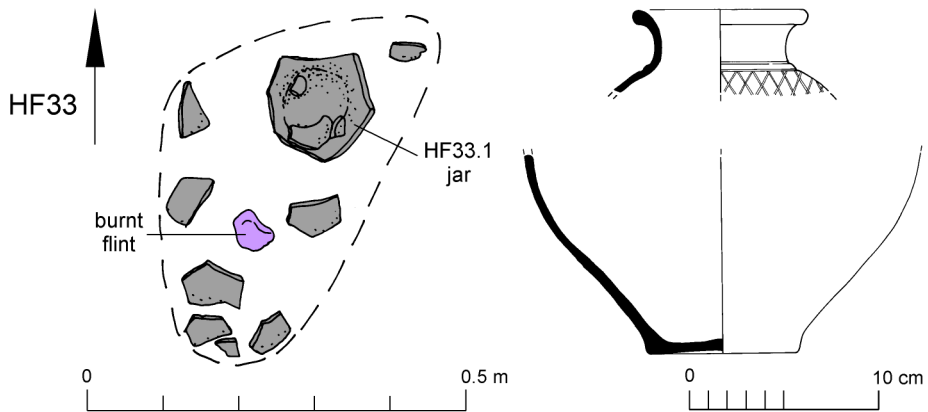


Fig 14 HF33 and HF36: burial plans, profile and pottery.

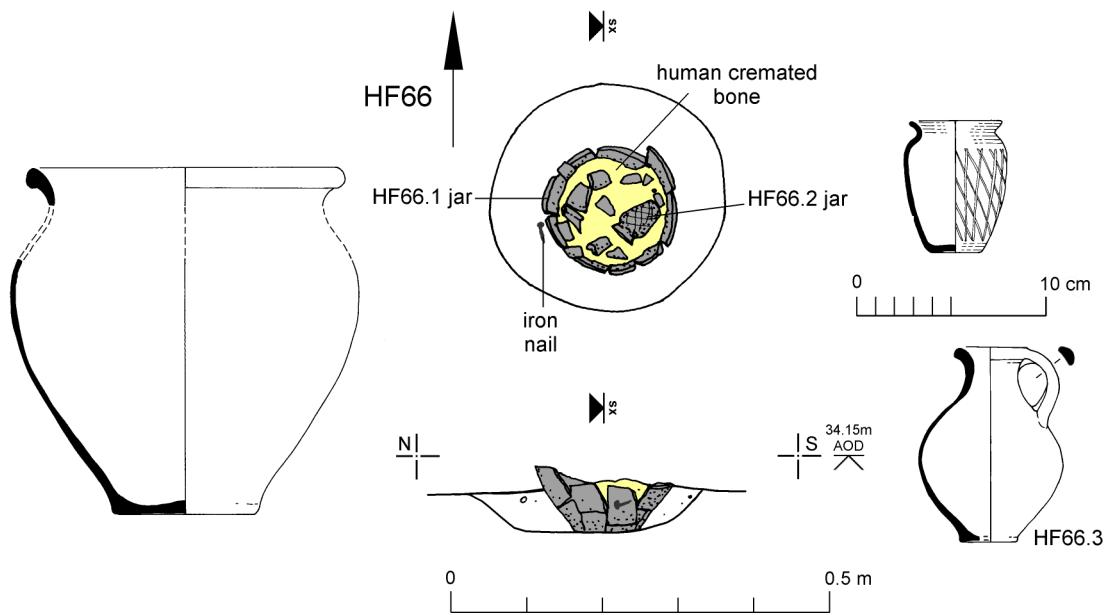
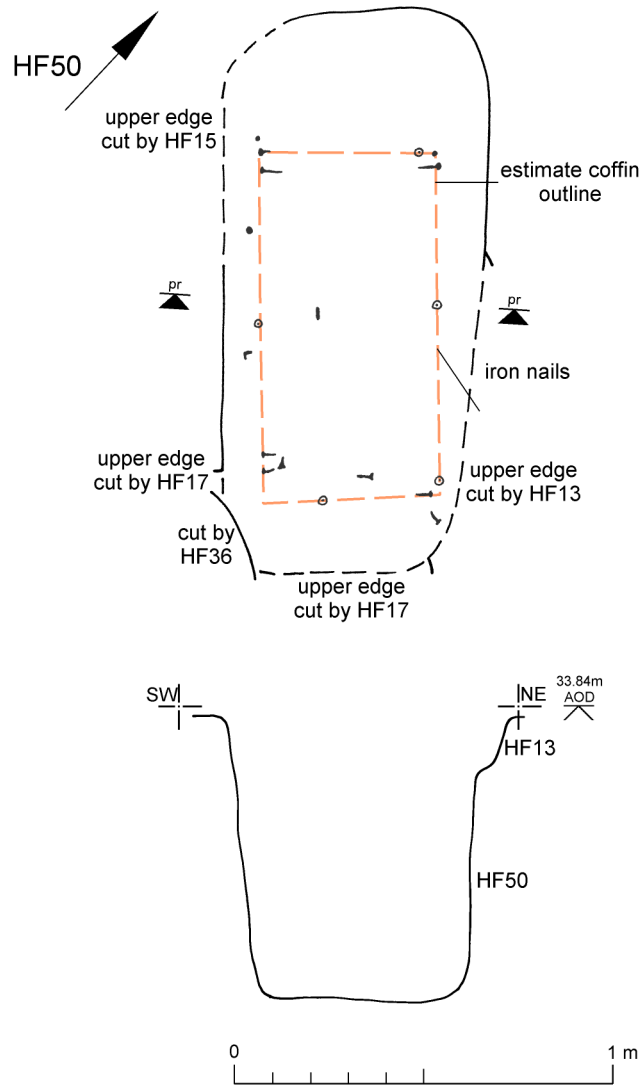


Fig 15 HF50 and HF66: burial plans, profile, section and pottery.

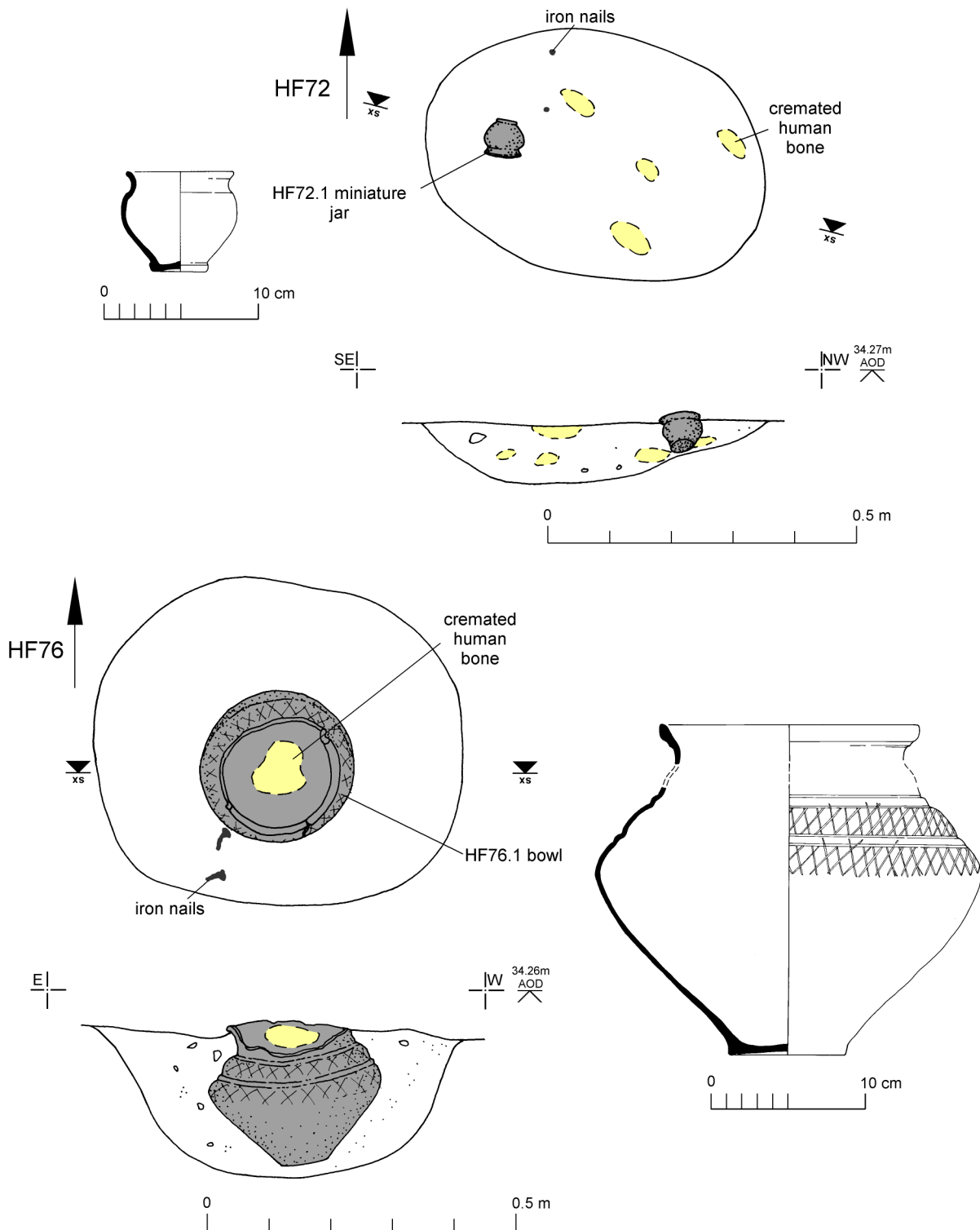


Fig 16 HF72 and HF76: burial plans, sections and pottery.

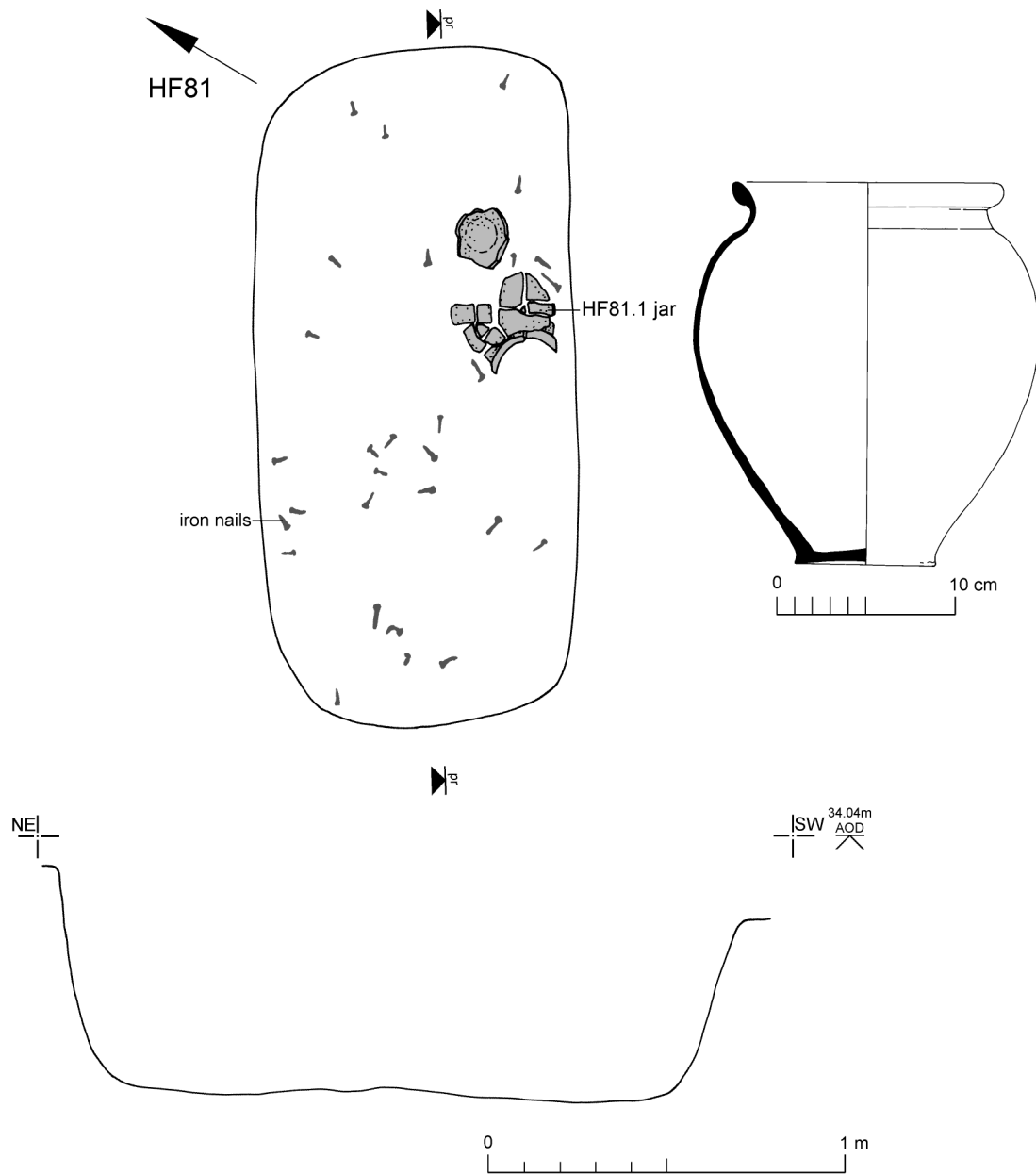


Fig 17 HF81: burial plan, profile and pottery.

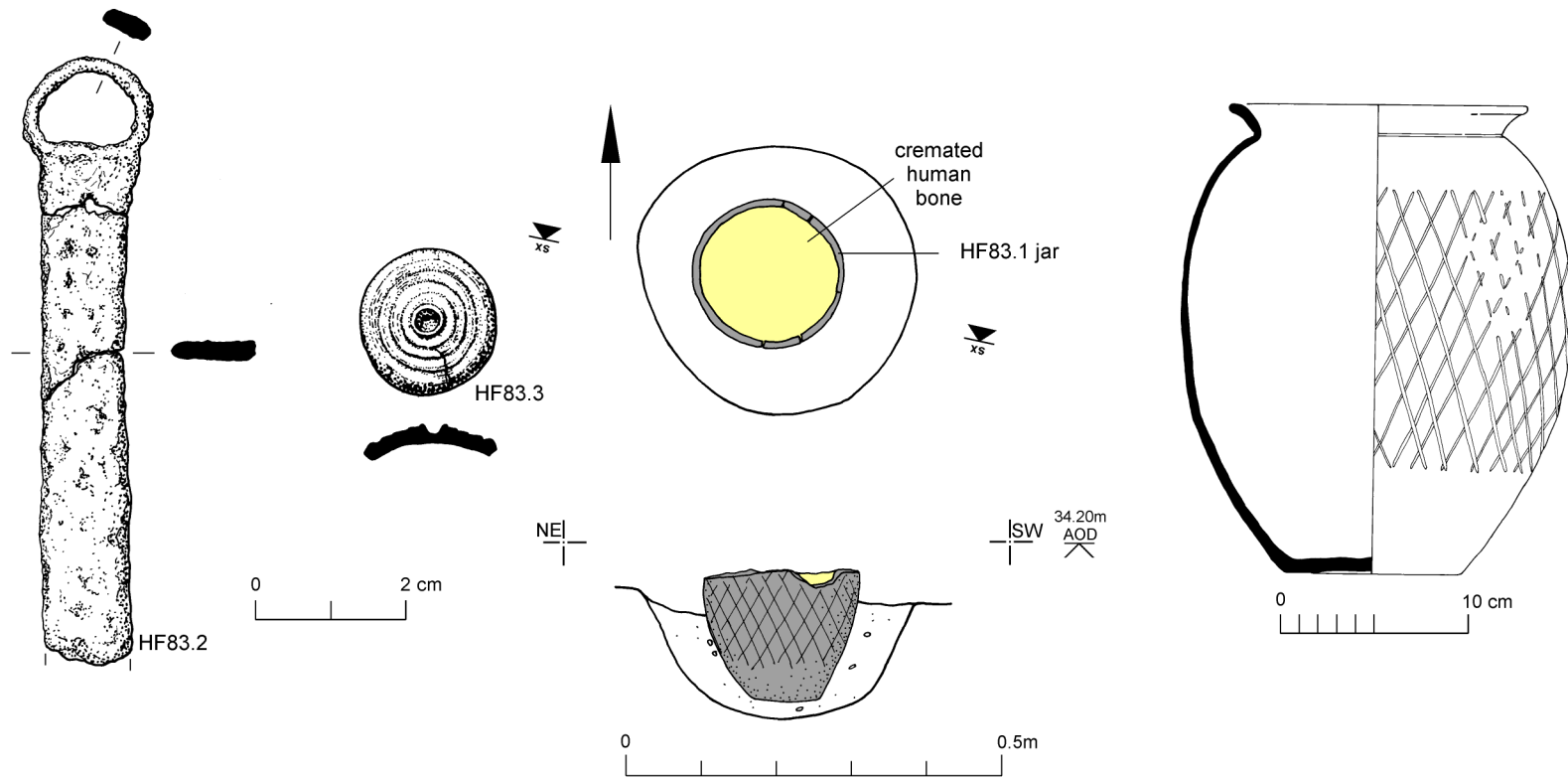


Fig 18 HF83: burial plan, section, pottery and small finds.

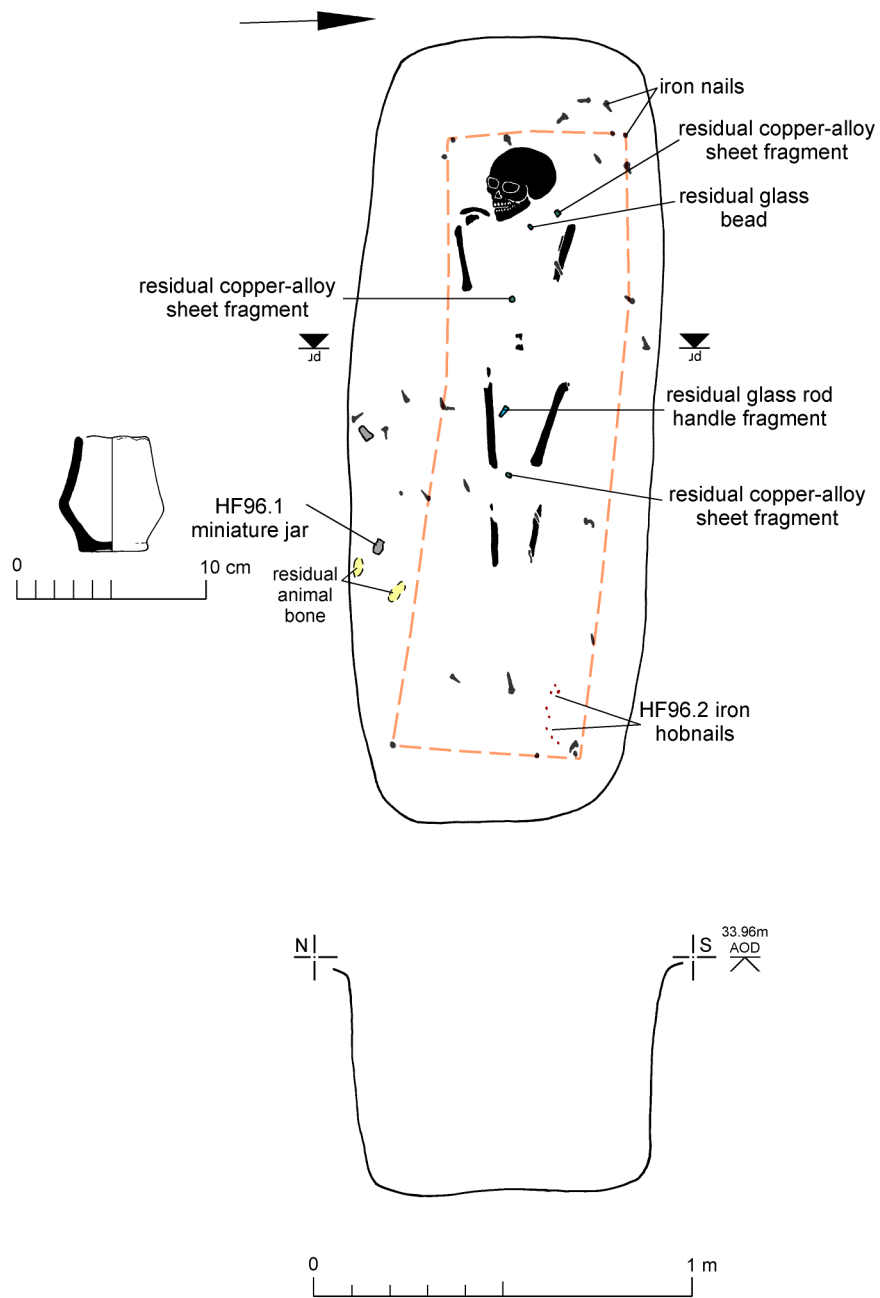


Fig 19 HF96: burial plan, profile and pottery.

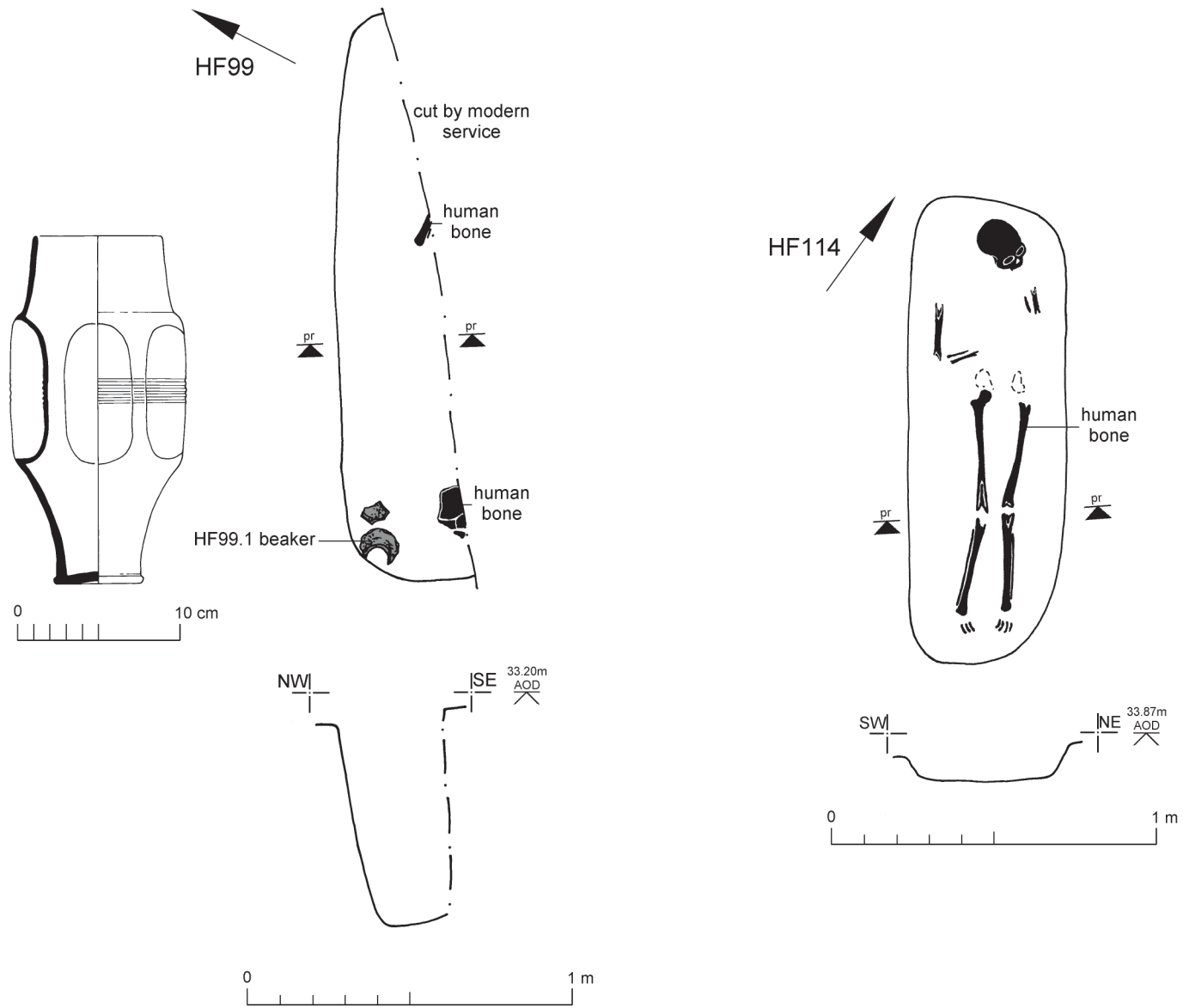


Fig 20 HF99 and HF114: burial plans, profiles and pottery.

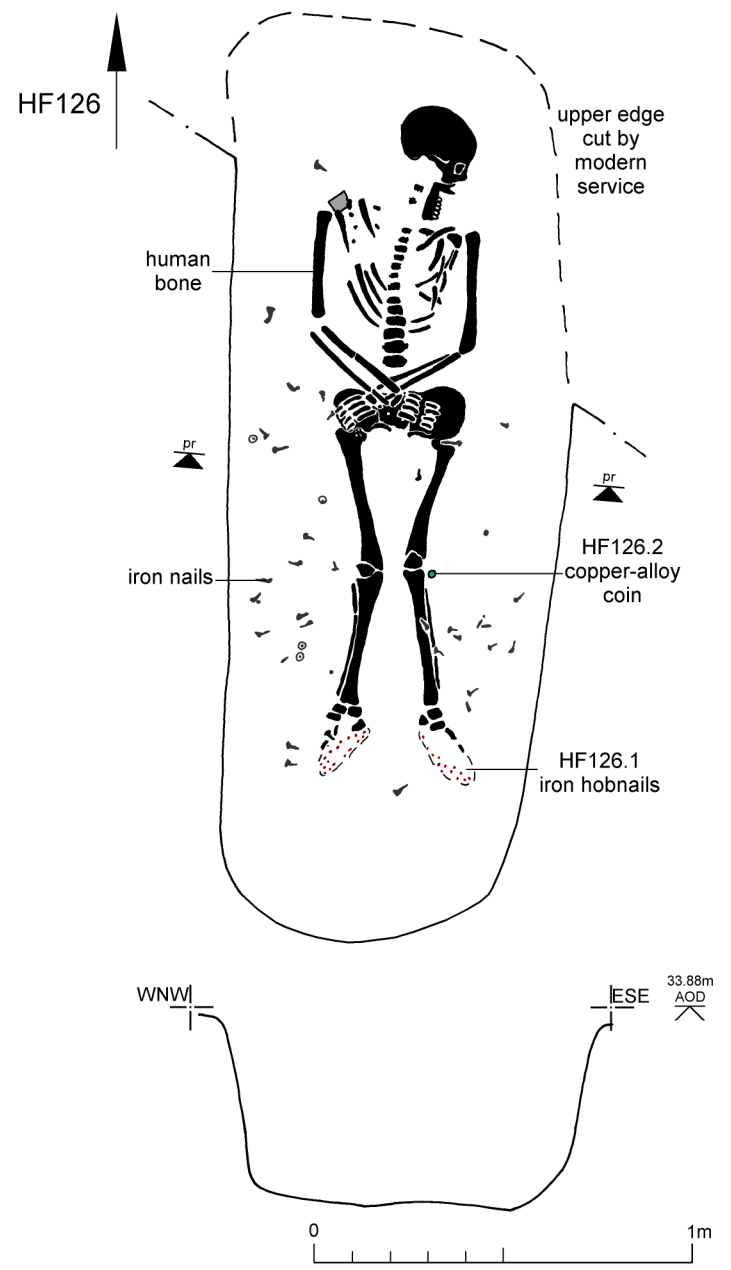
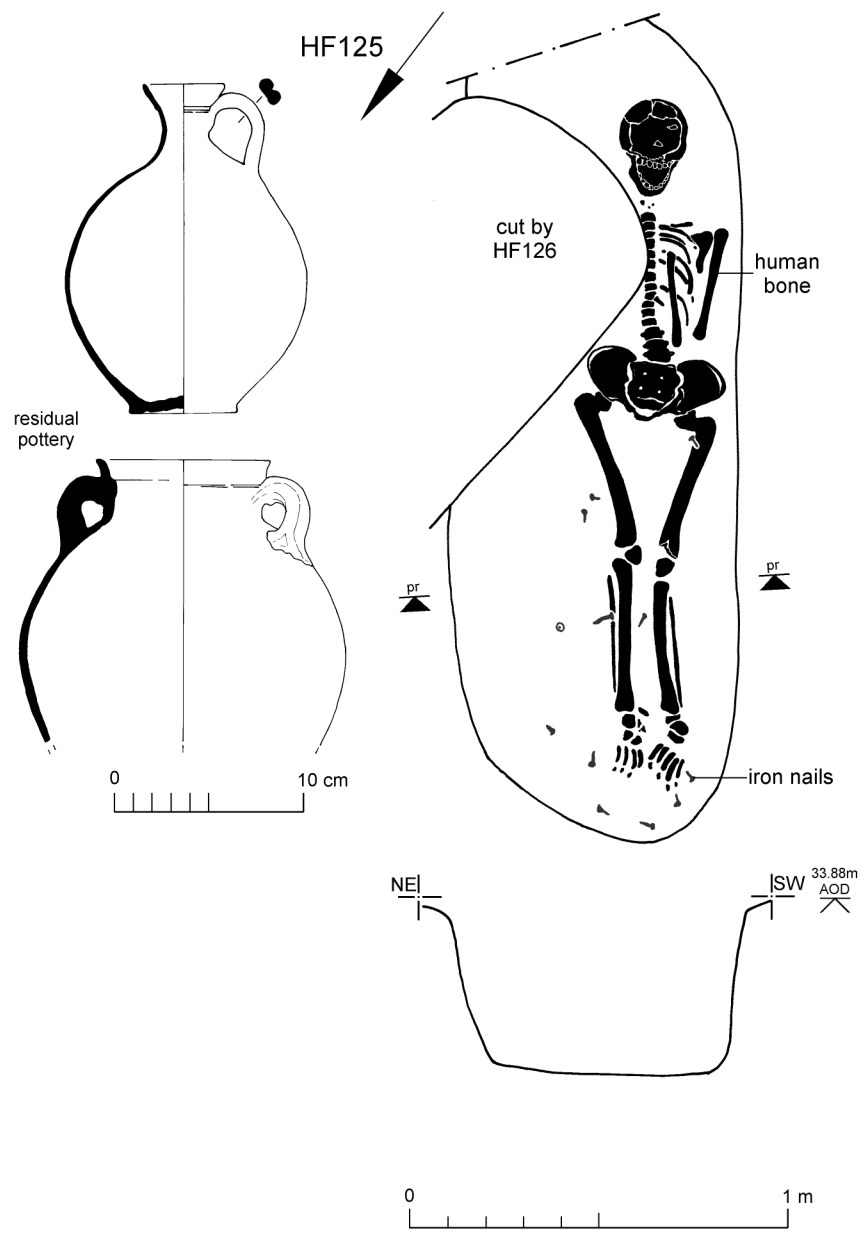


Fig 21 HF125 and HF126: burial plans, profiles and pottery.

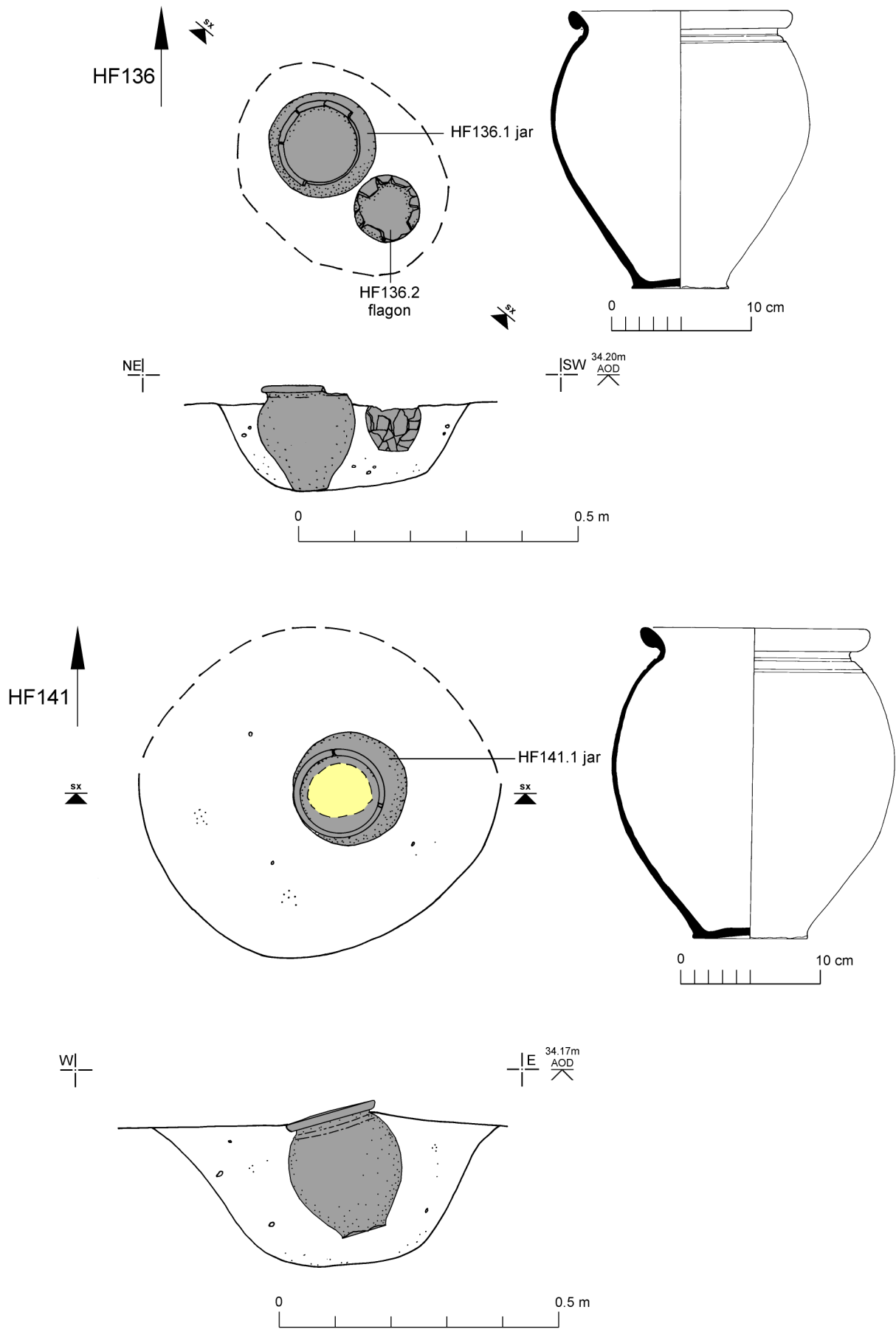


Fig 22 HF136 and HF141: burial plans, sections and pottery.

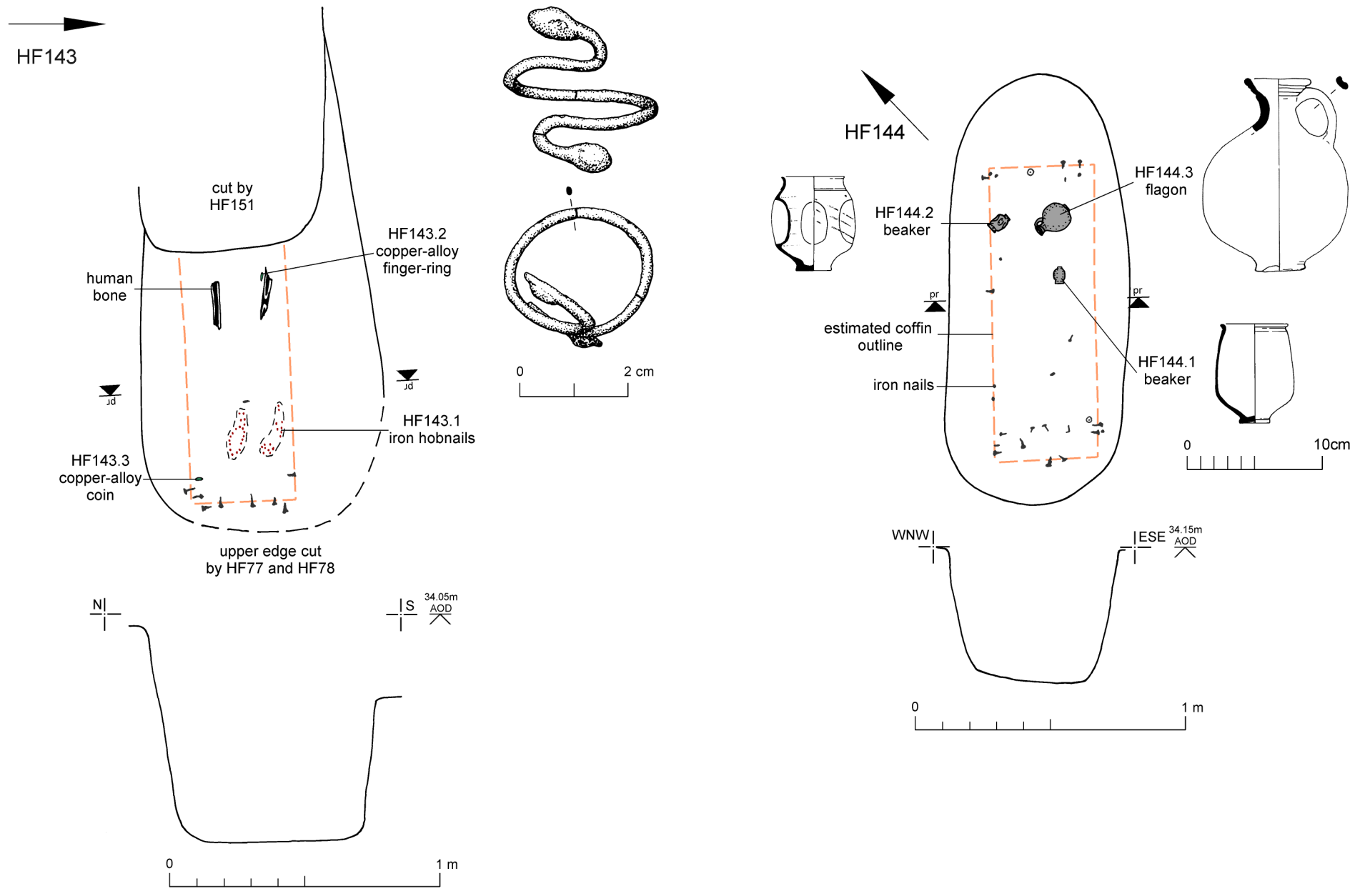


Fig 23 HF143 and HF144: burial plans, profiles, pottery and small finds.

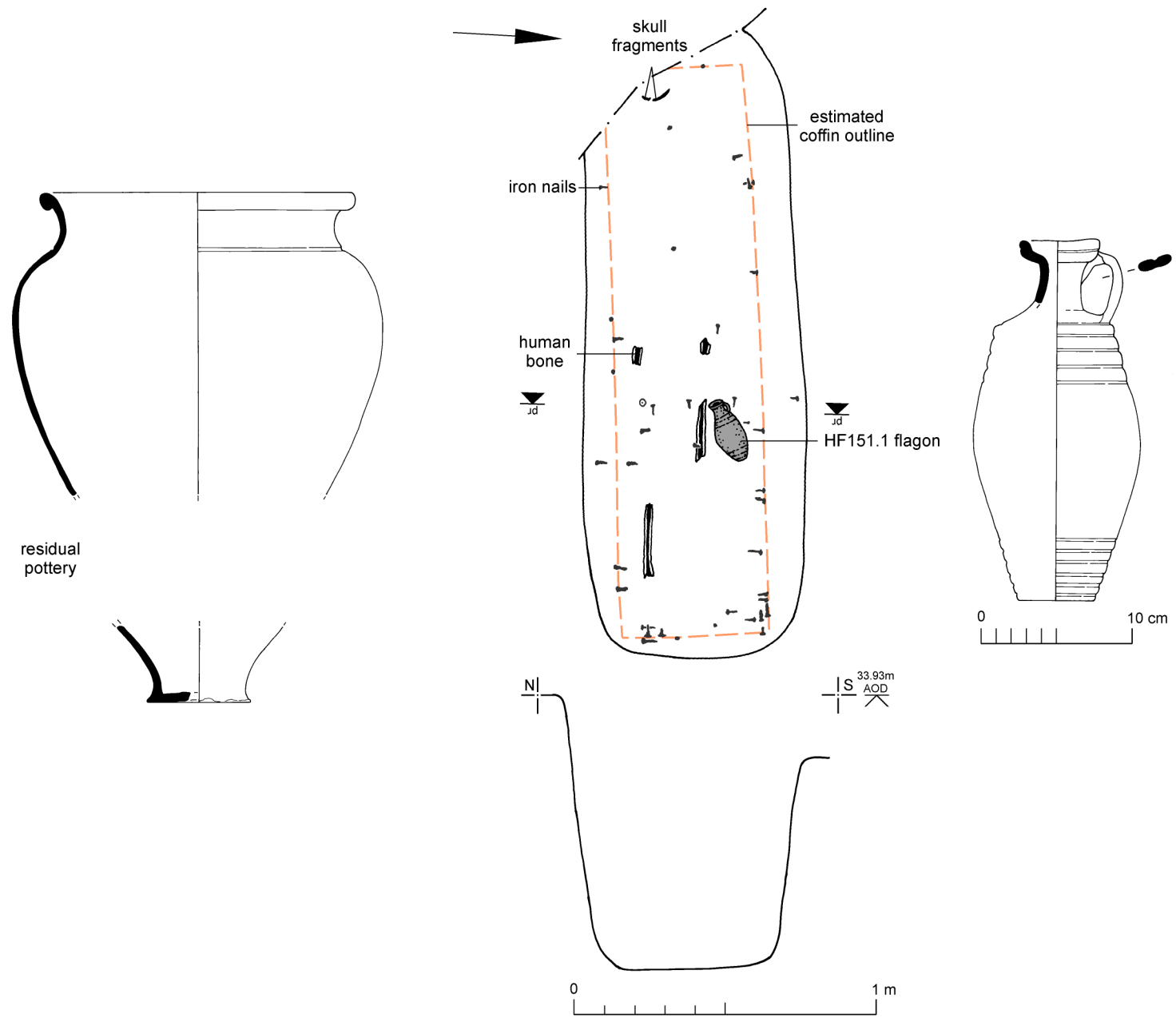


Fig 24 HF151: burial plan, profile and pottery.

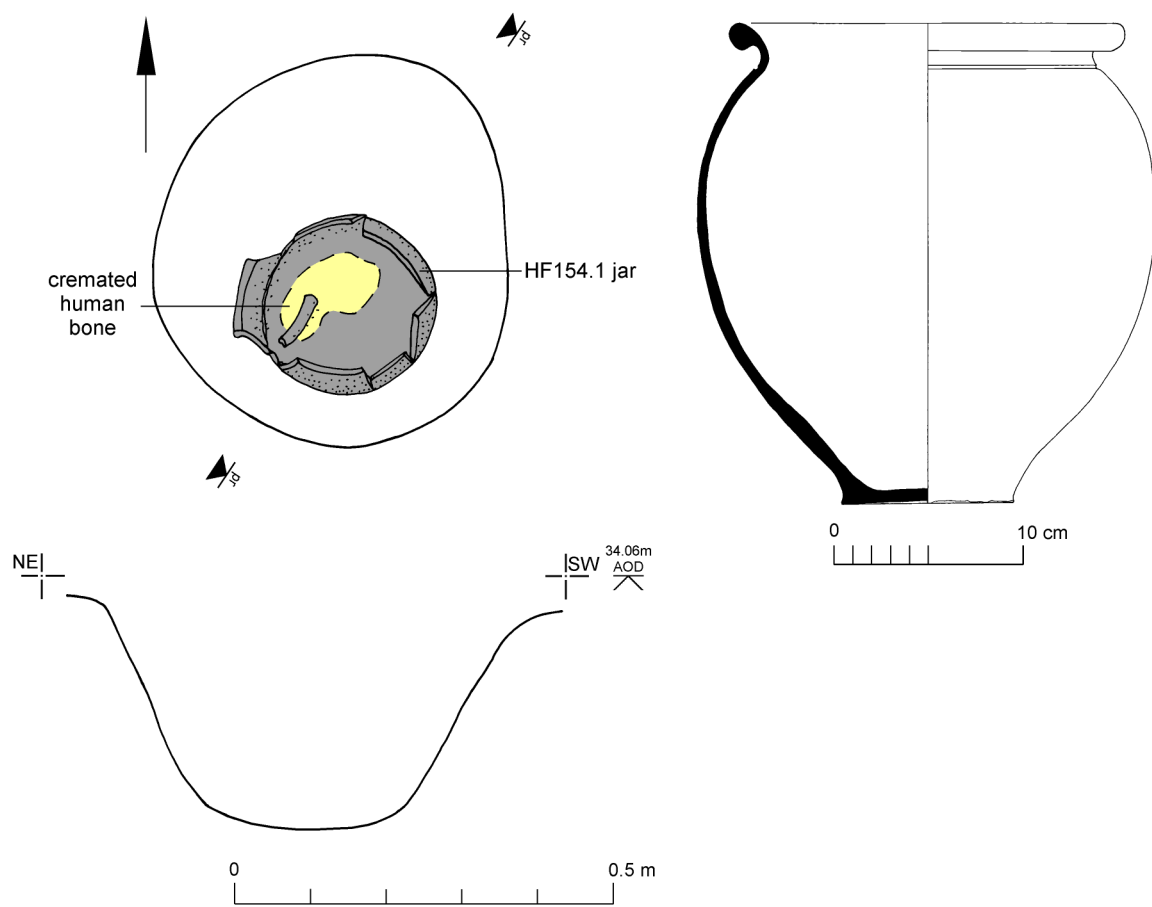


Fig 25 HF154: burial plan, profile and pottery.

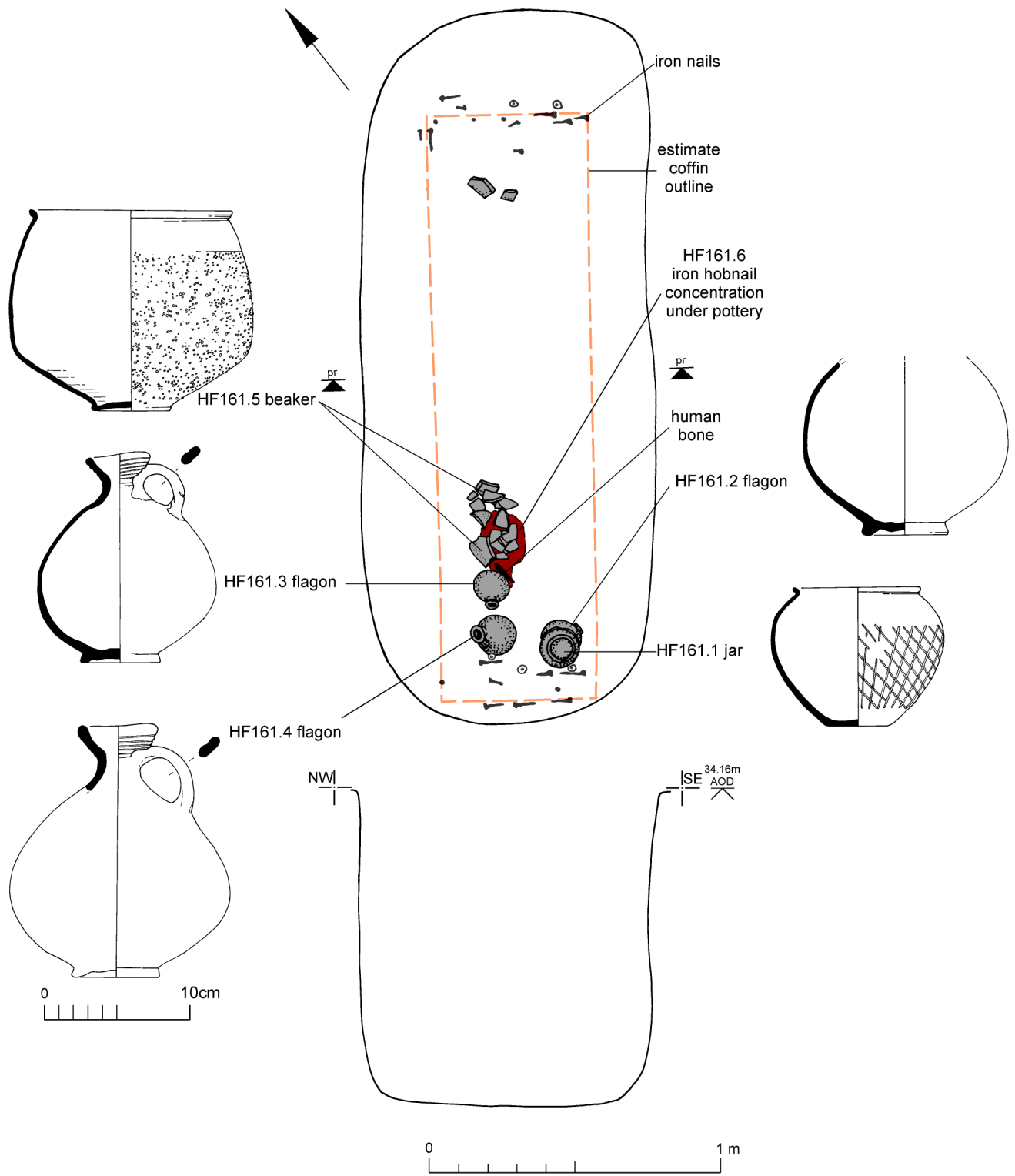


Fig 26 HF161: burial plan, profile and pottery.

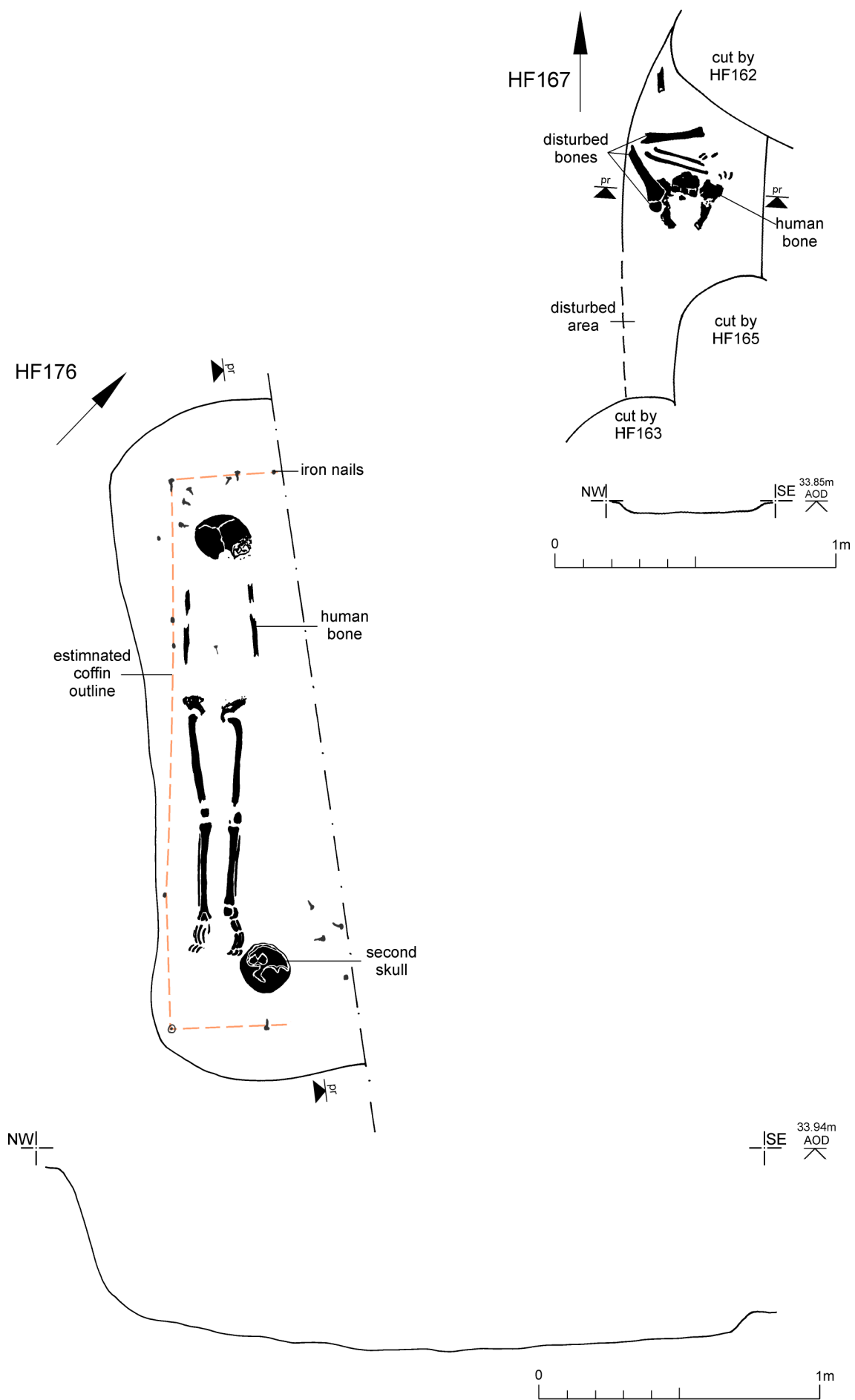


Fig 27 HF167 and HF176: burial plans and profiles.

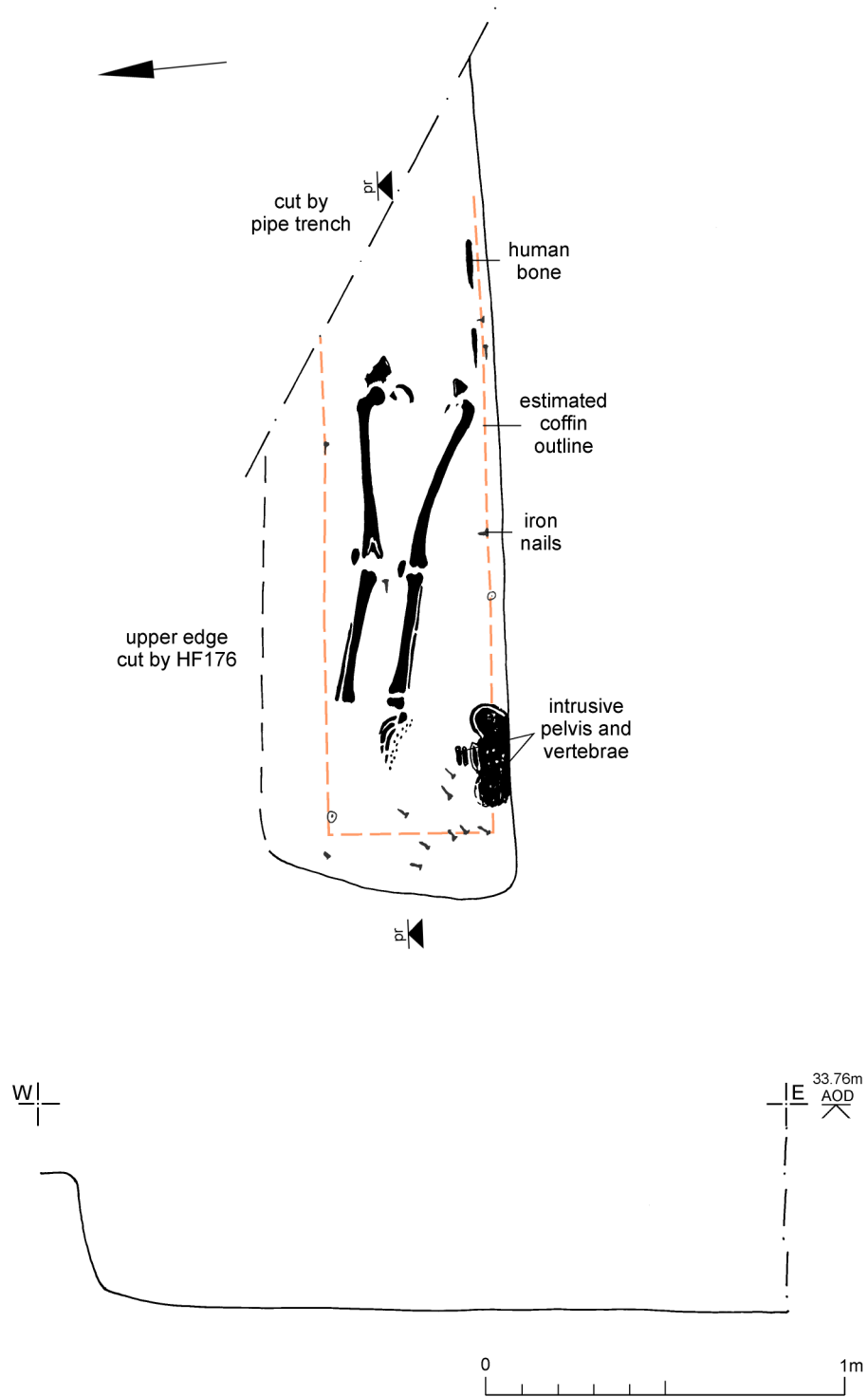


Fig 28 HF177: burial plan and profile.

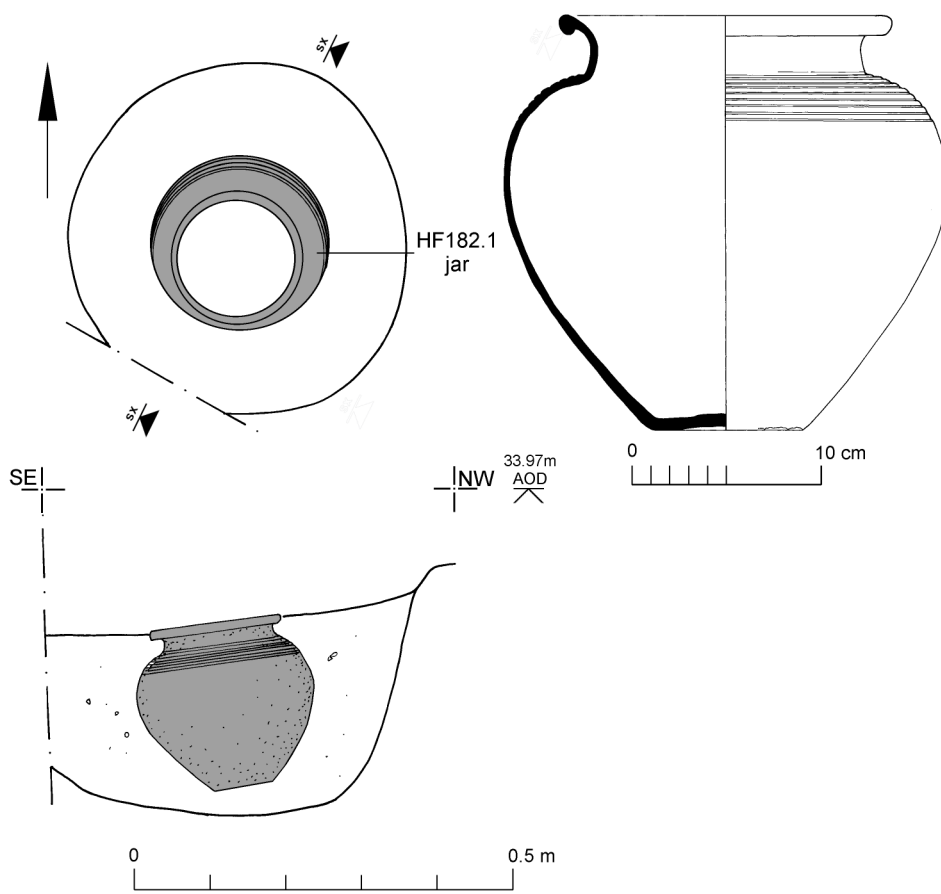


Fig 29 HF182: burial plan, section and pottery.

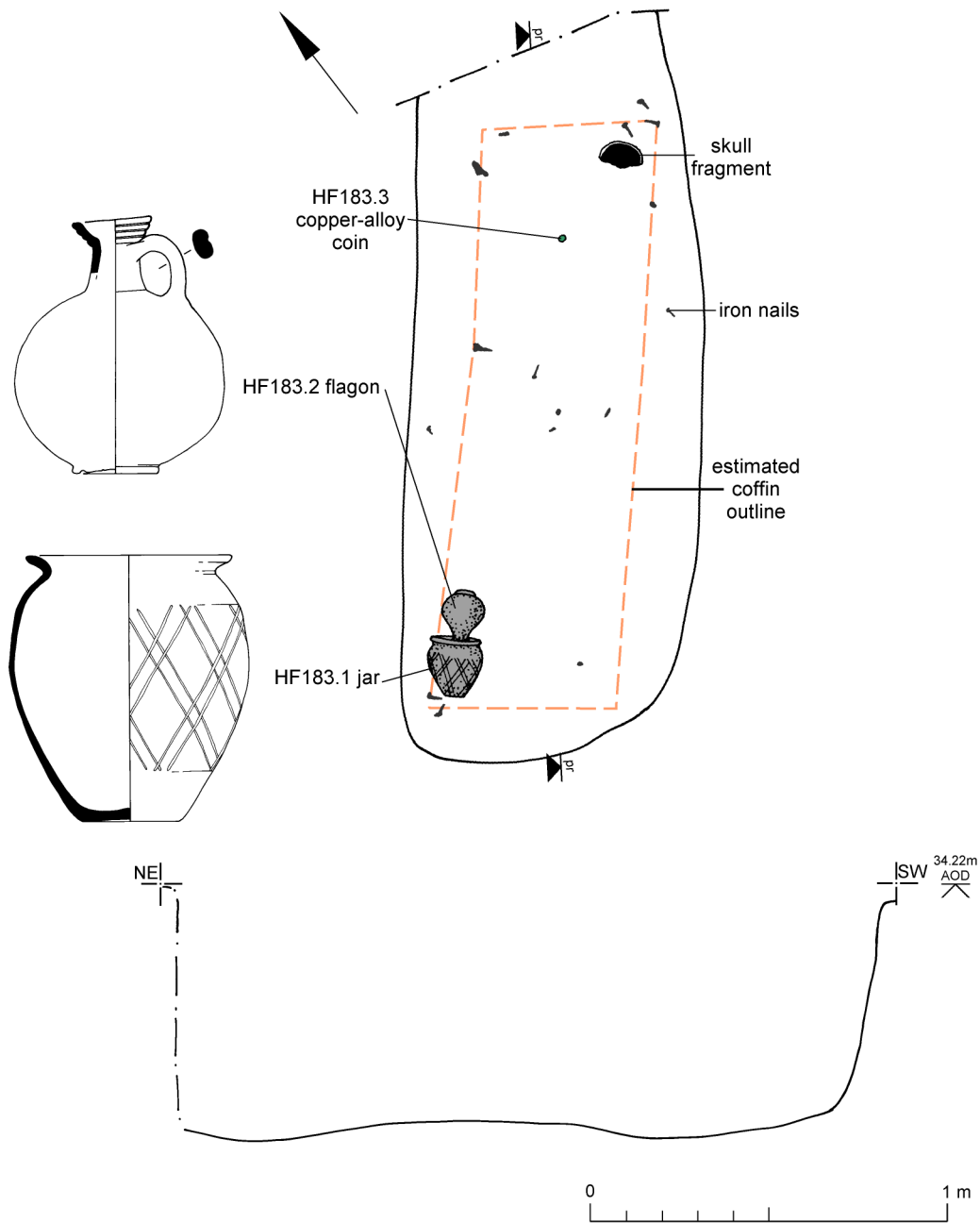


Fig 30 HF183: burial plan, profile and pottery.

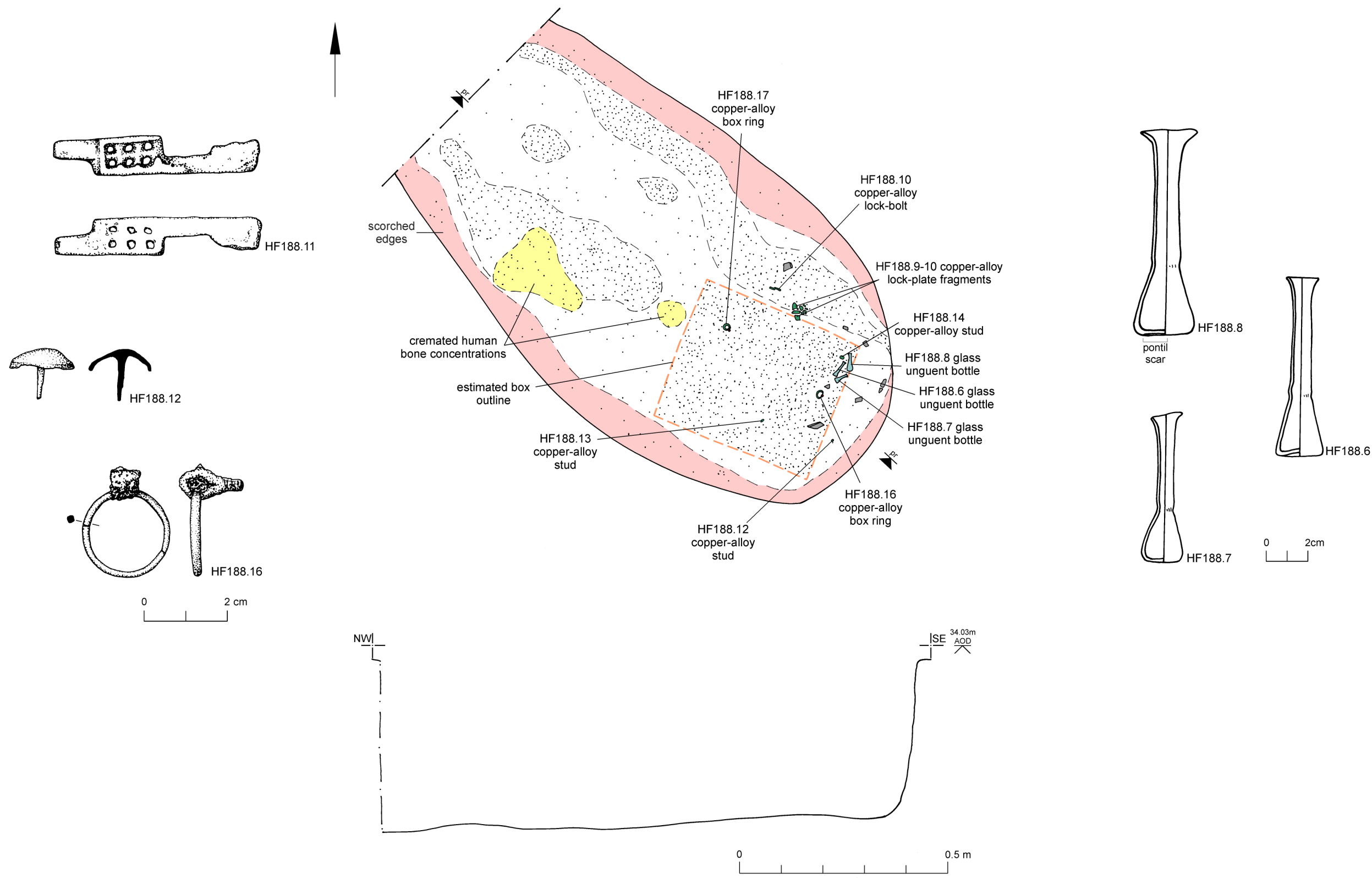


Fig 31 HF188: burial plan, profile, glass vessels (scale 1:2) and small finds (scale 1:1).

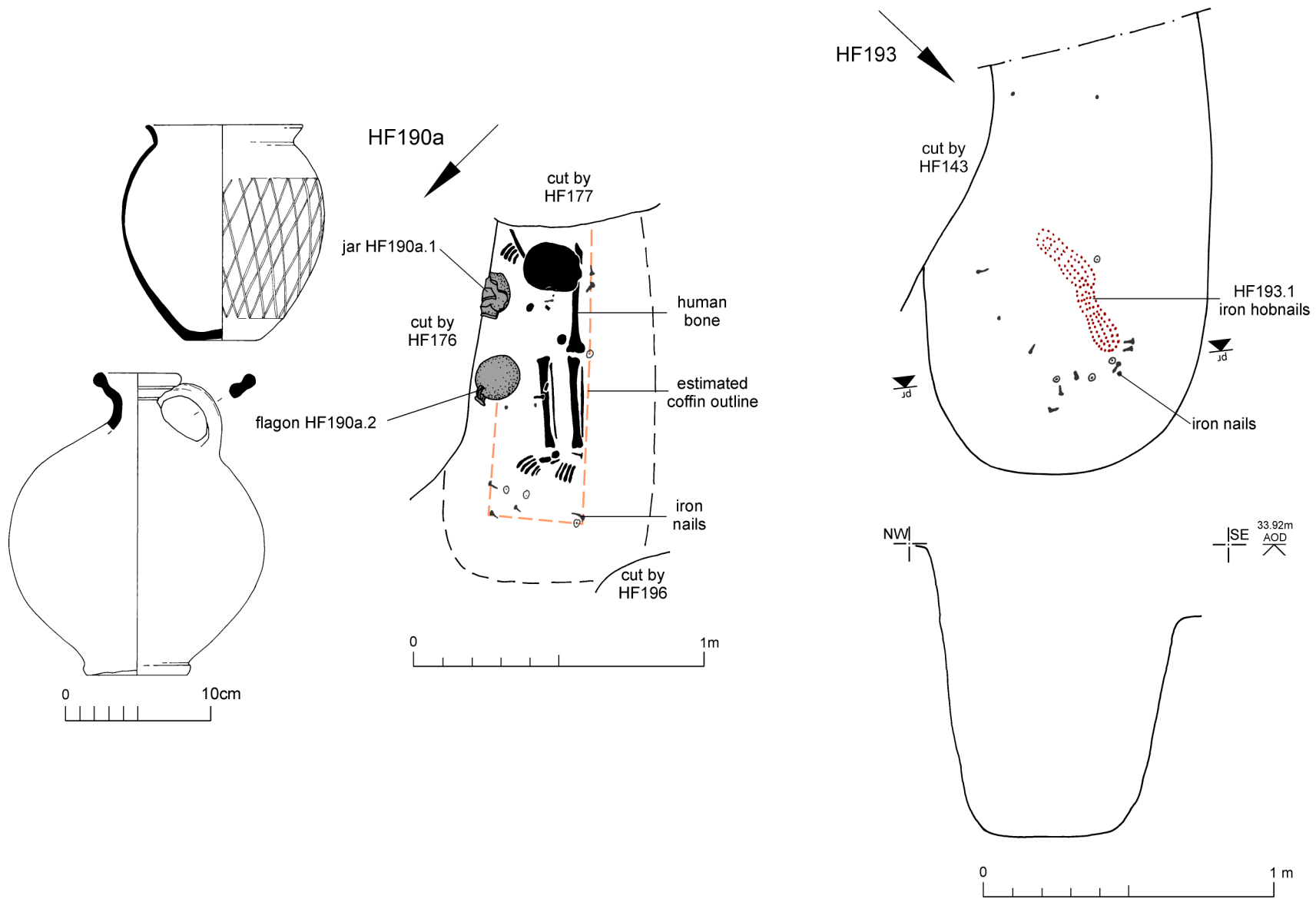


Fig 32 HF190a and HF193: burial plans, profiles and pottery.

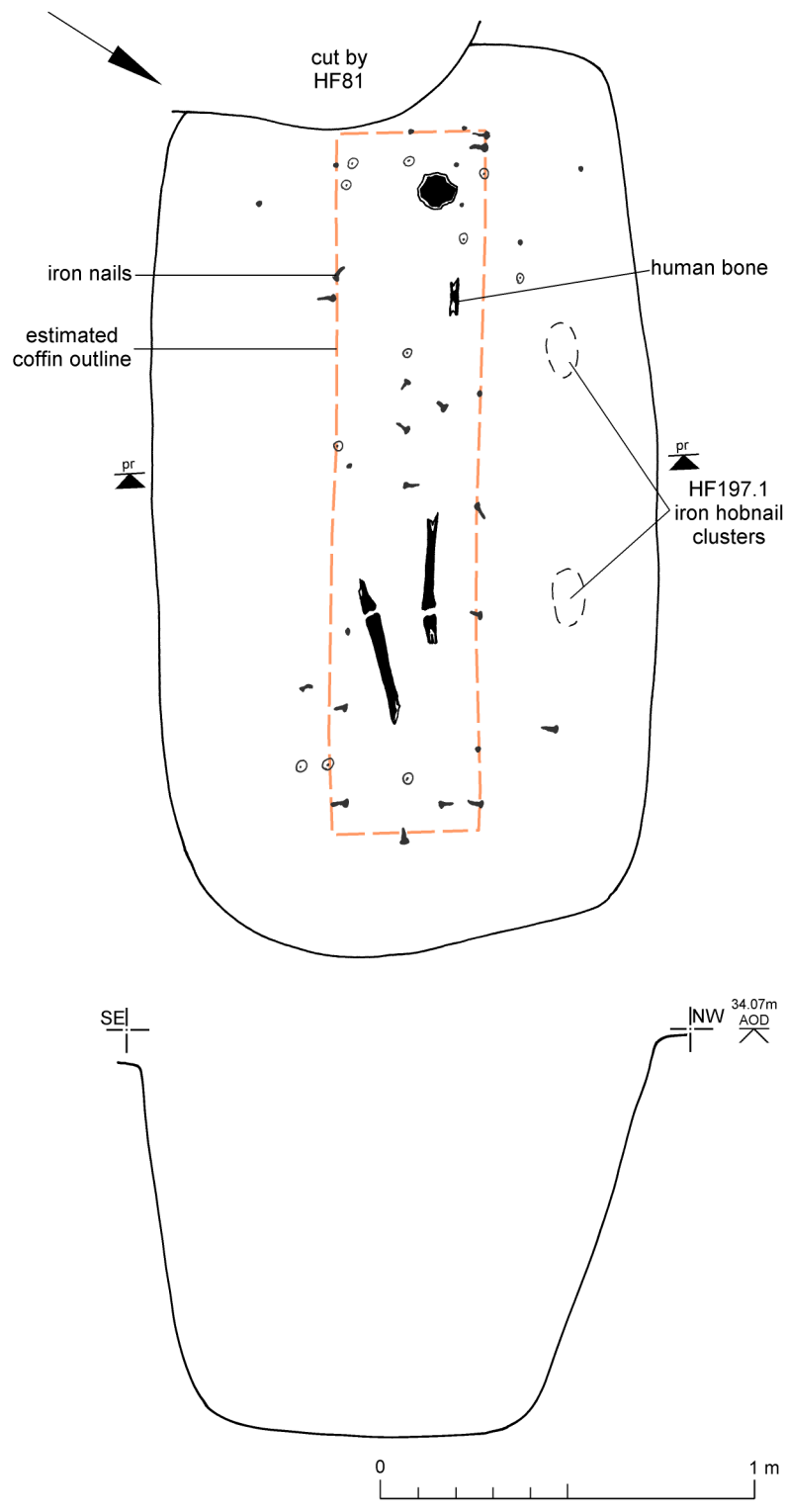


Fig 33 HF197: burial plan and profile.

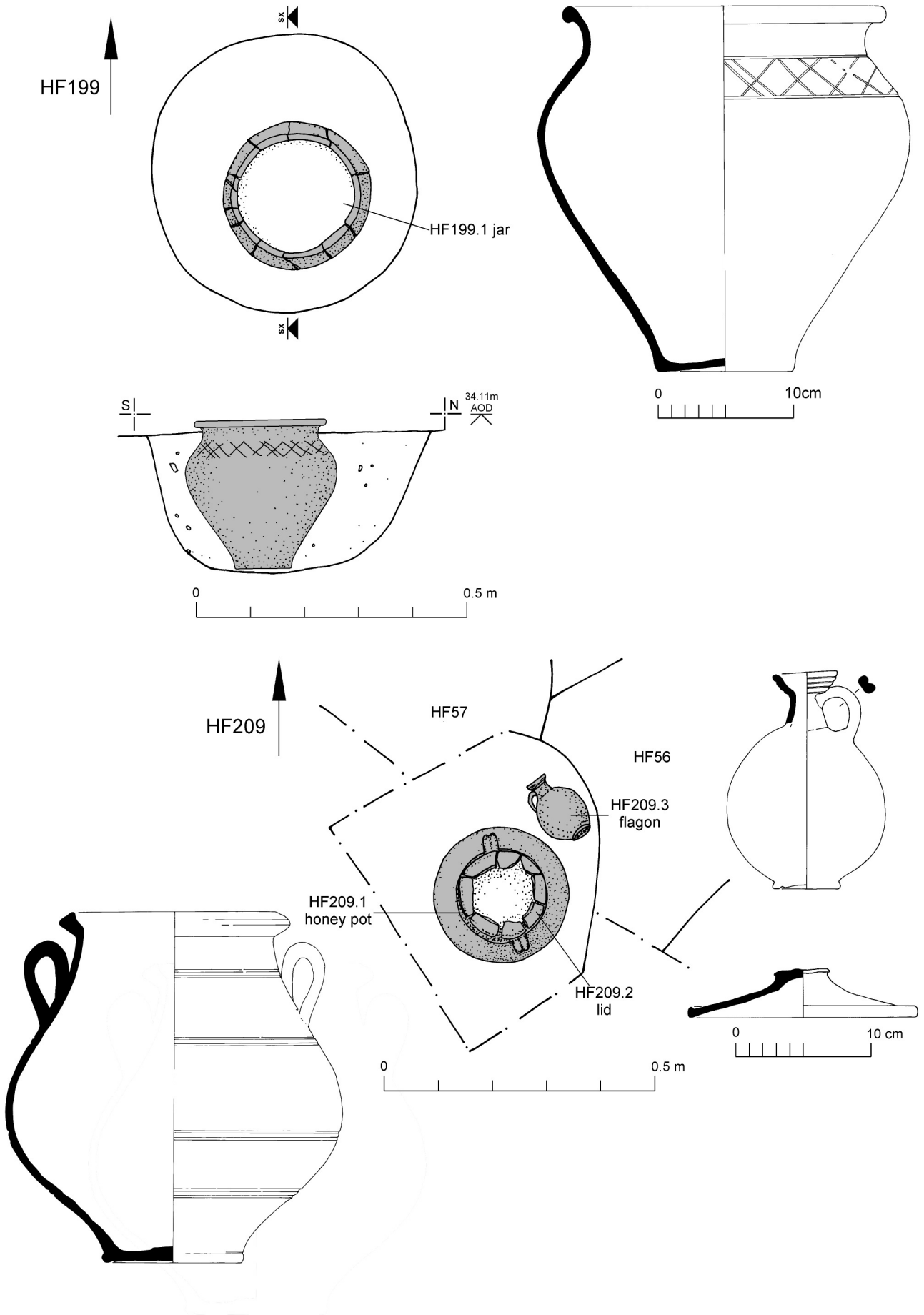


Fig 34 HF199 and HF209: burial plans, section and pottery.

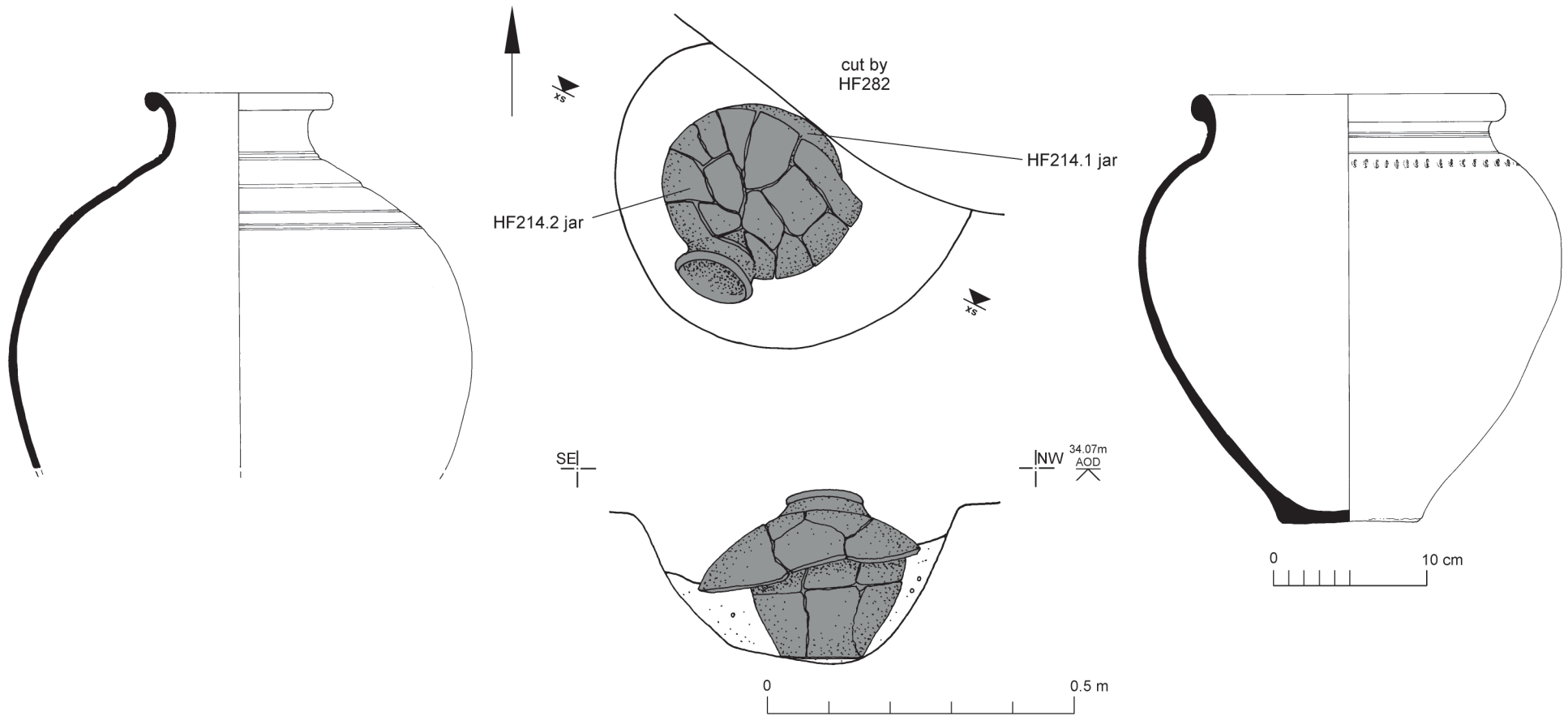


Fig 35 HF214: burial plan, section and pottery.

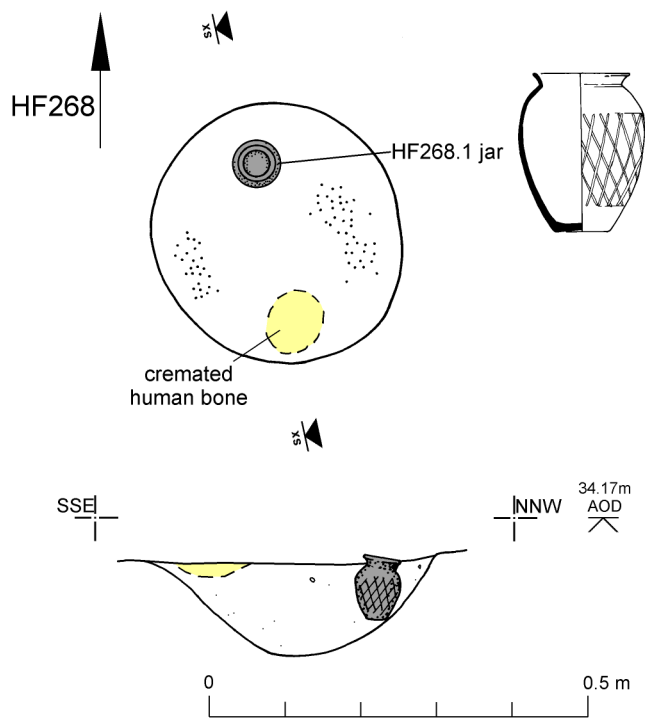
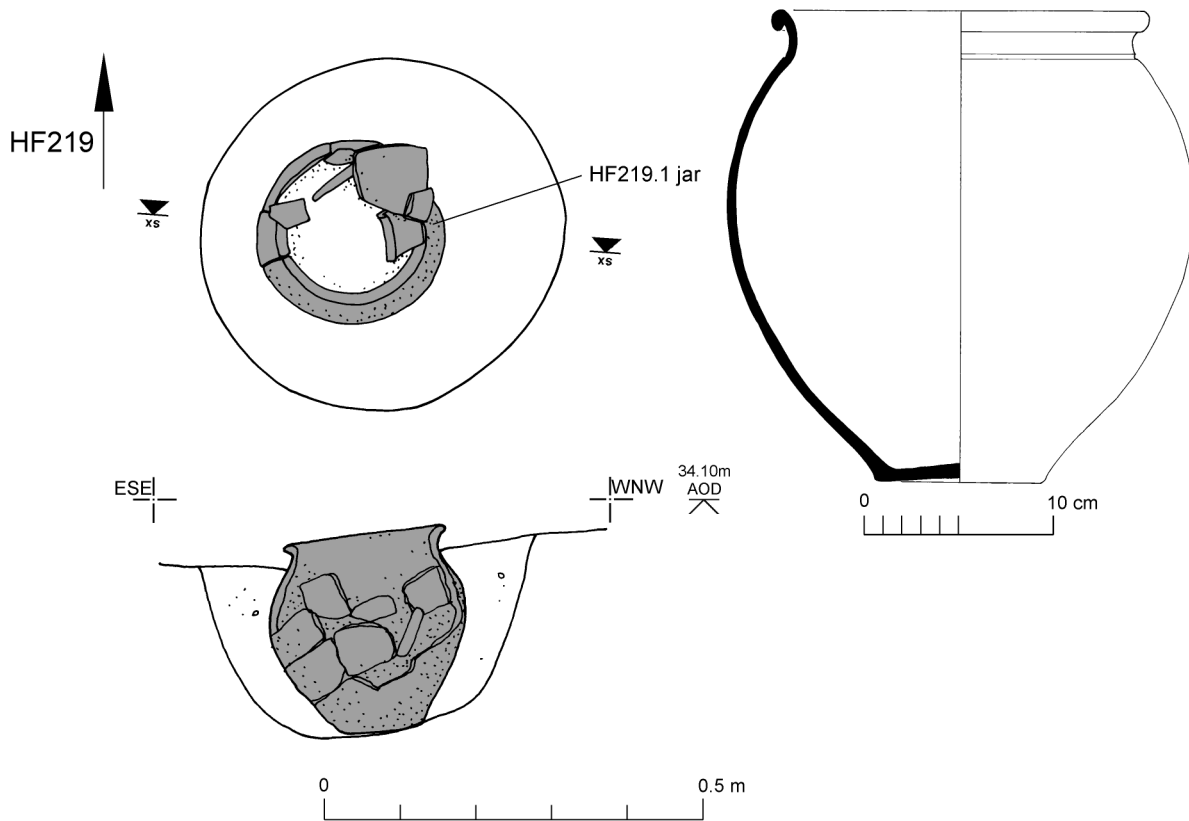


Fig 36 HF219 and HF268: burial plans, sections and pottery.

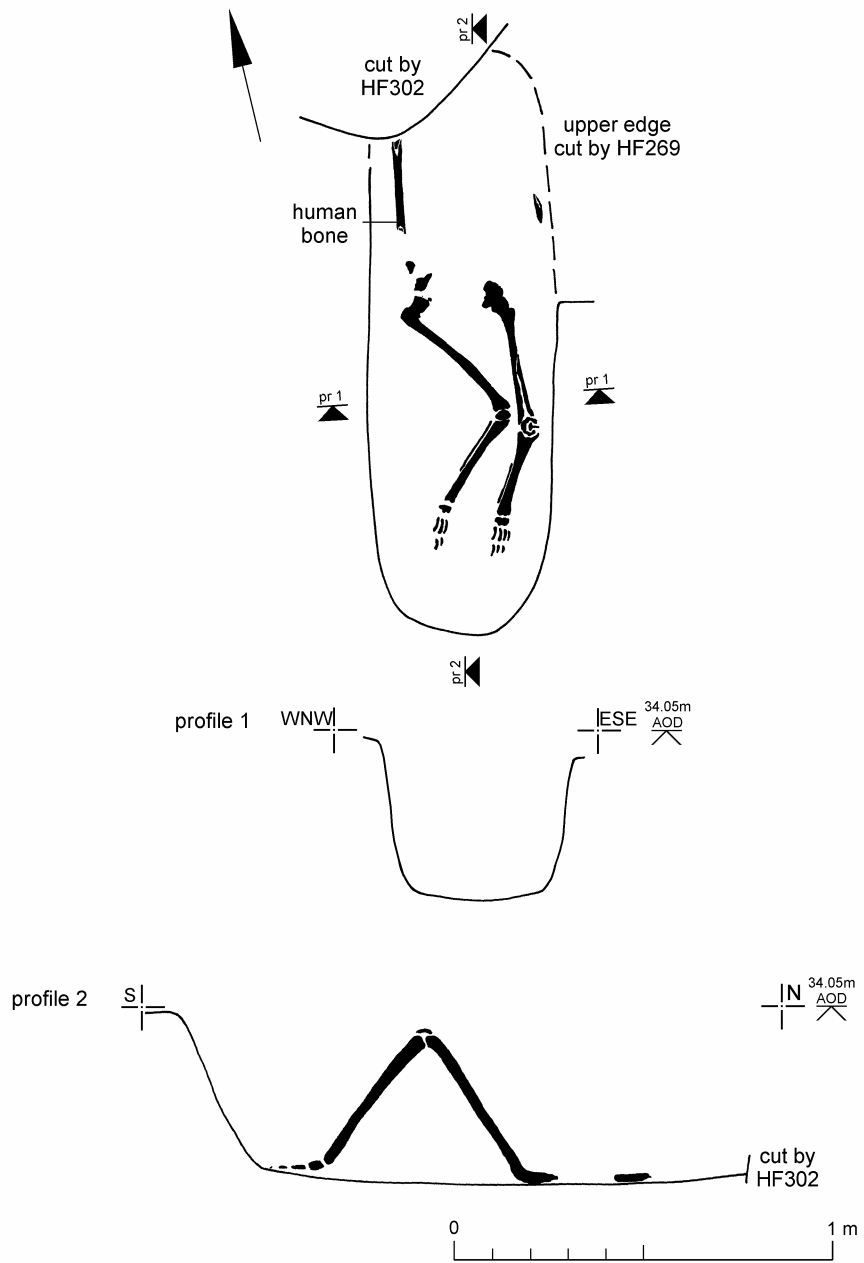


Fig 37 HF270: burial plan and profiles.

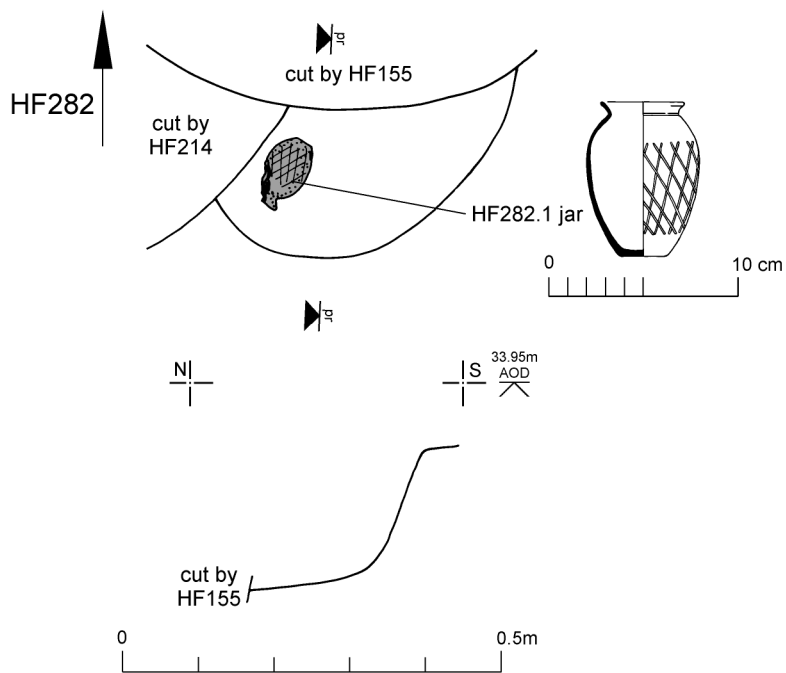
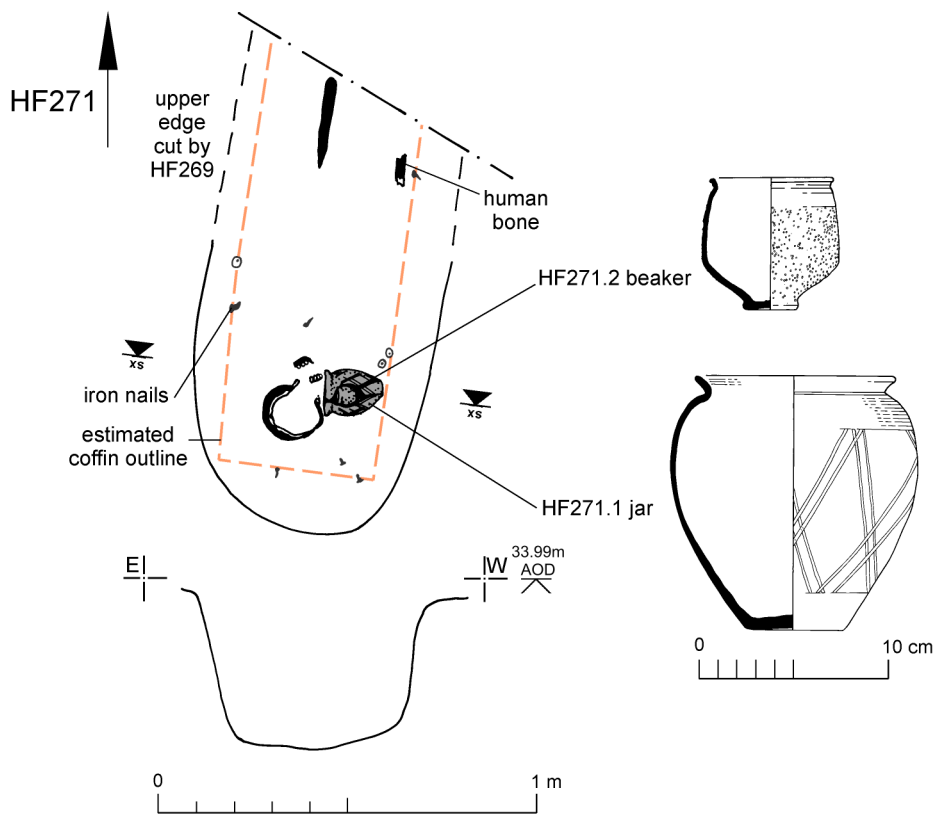


Fig 38 HF271 and HF282: burial plans, profiles and pottery.

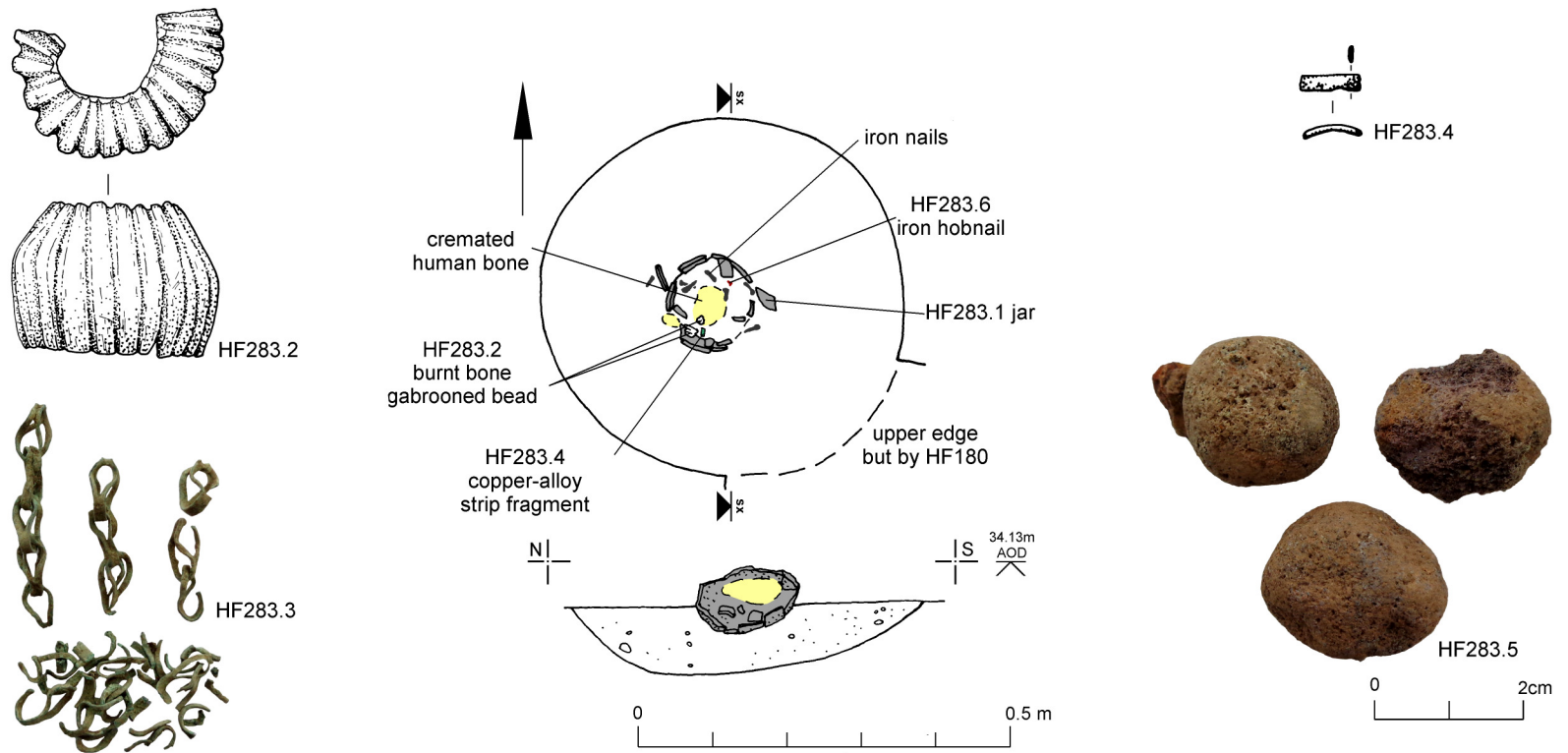


Fig 39 HF283: burial plan, section and small finds.

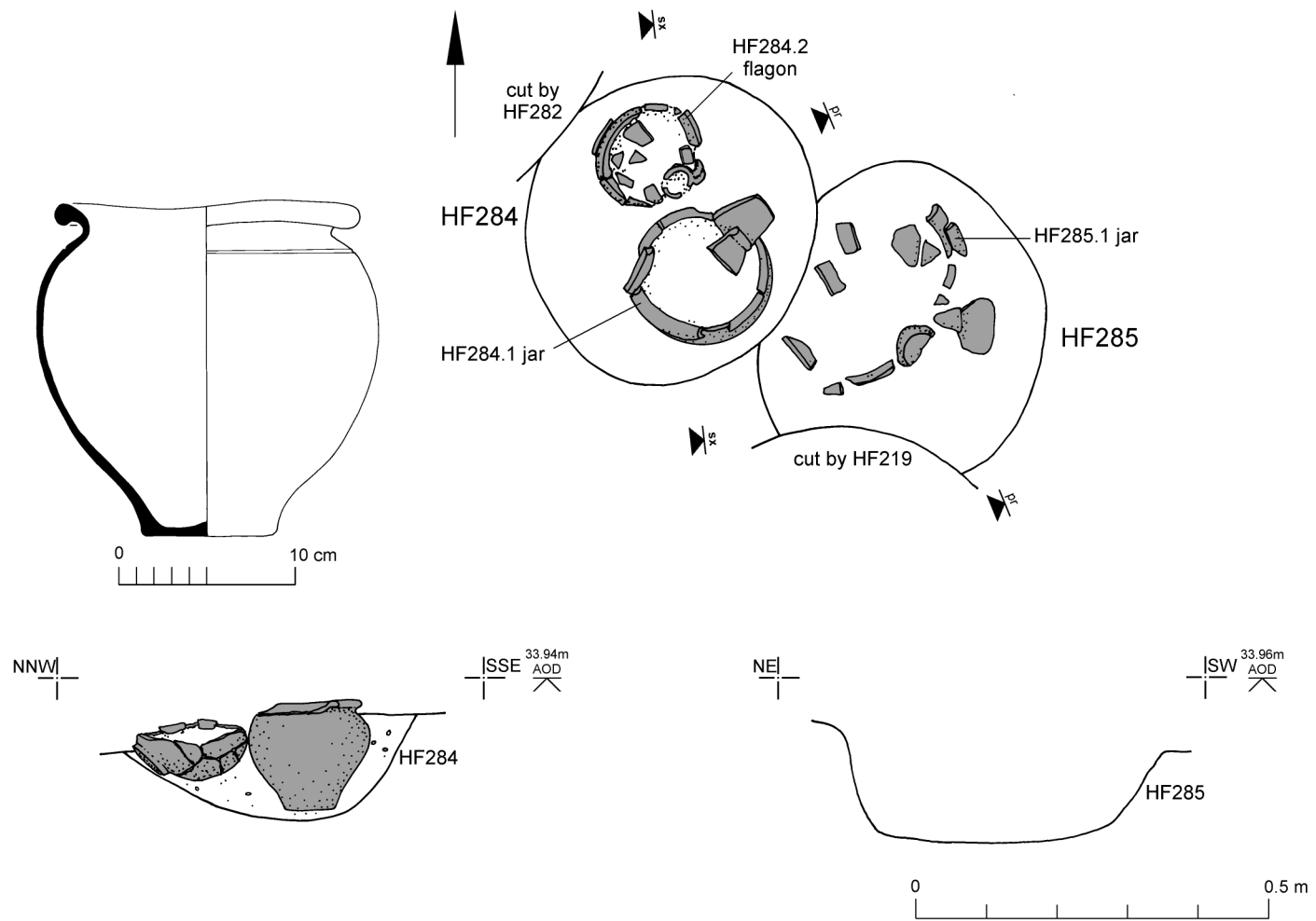


Fig 40 HF284 and HF285: burial plans, section, profile and pottery.

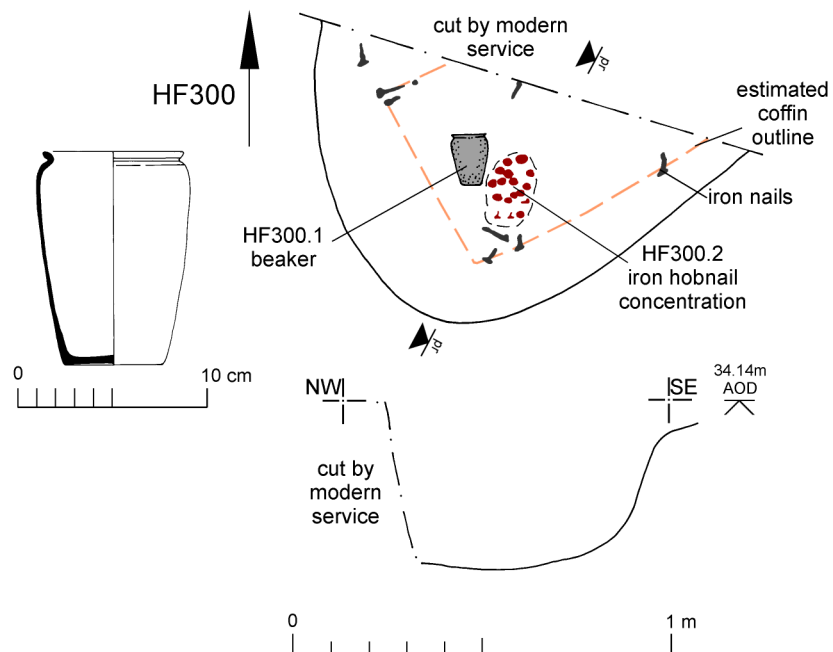
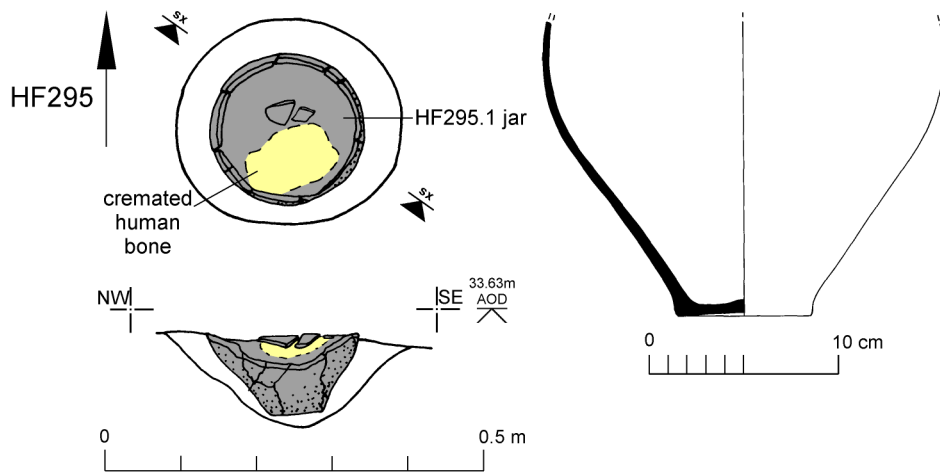


Fig 41 HF295 and HF300: burial plans, section, profile and pottery.

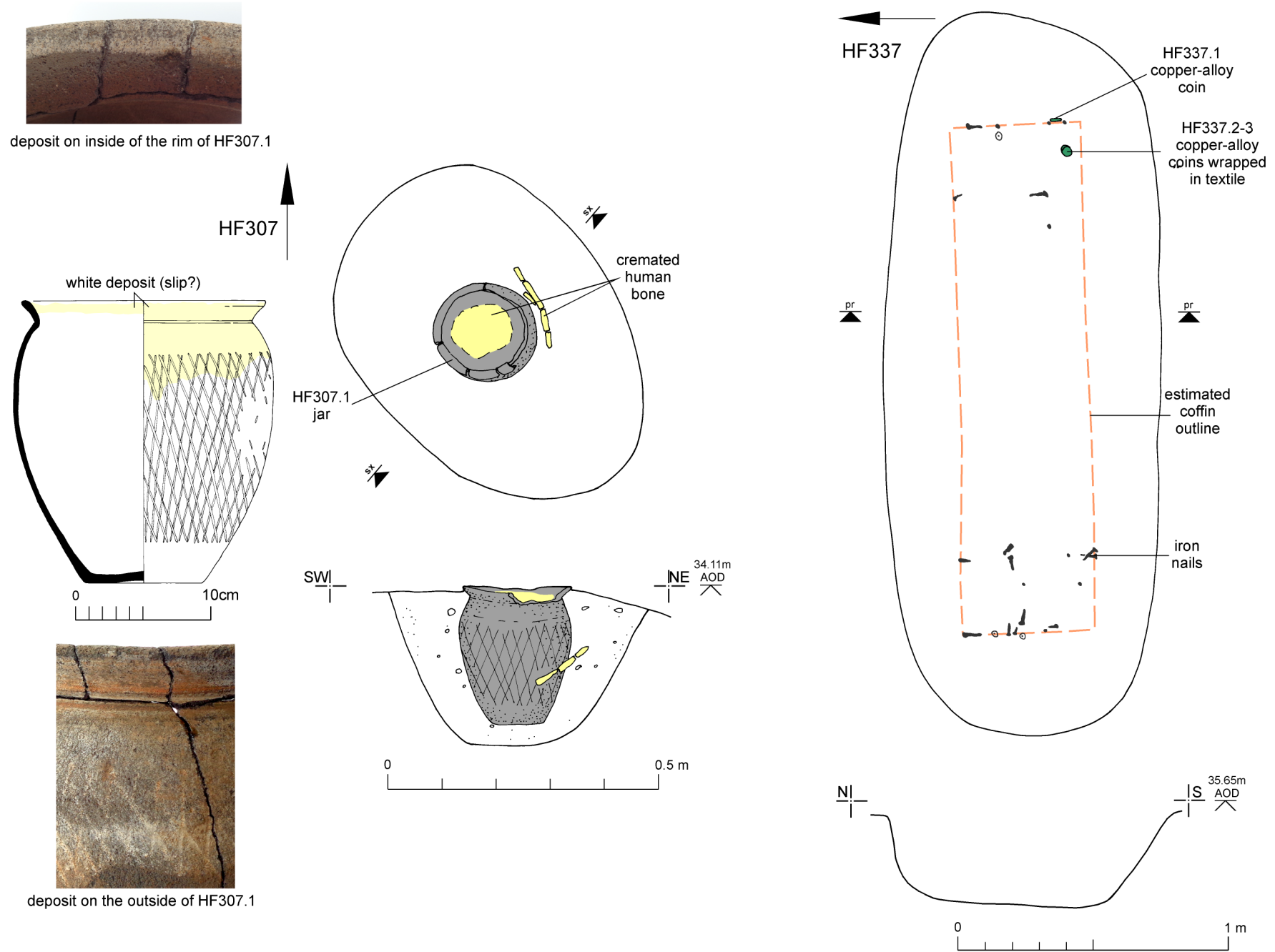


Fig 42 HF307 and HF337: burial plans, section, profile and pottery.

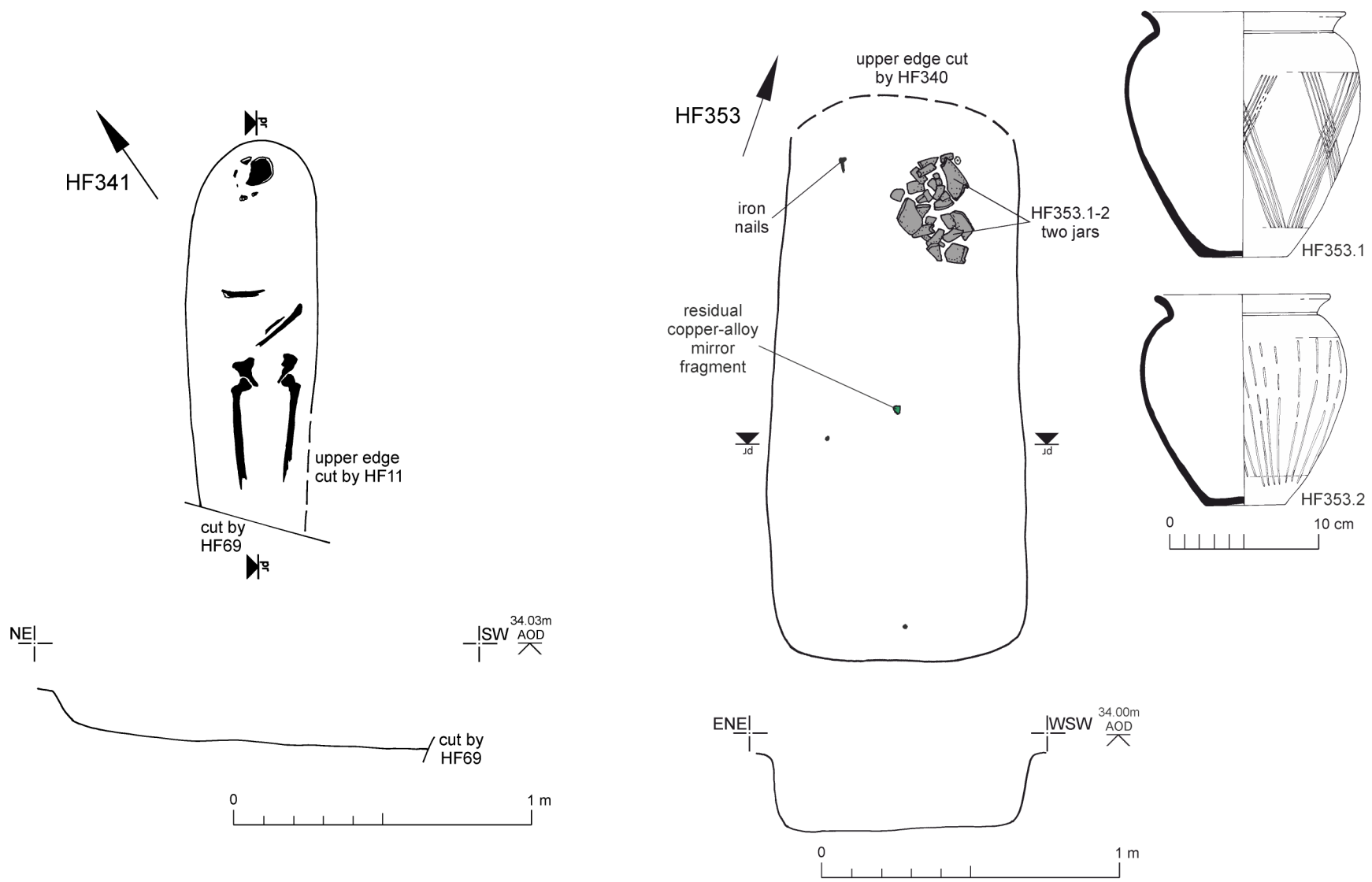


Fig 43 HF341 and HF353: burial plans, profiles and pottery.

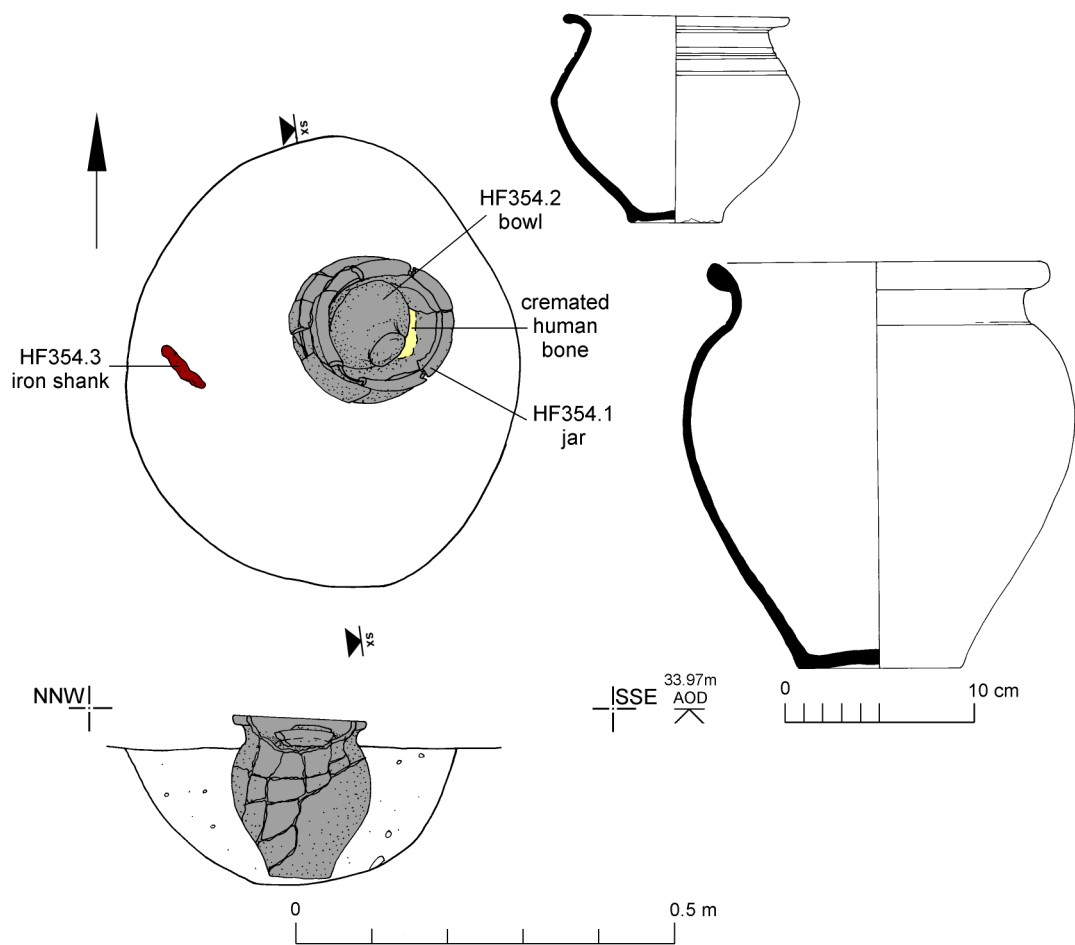


Fig 44 HF354: burial plan, section and pottery.

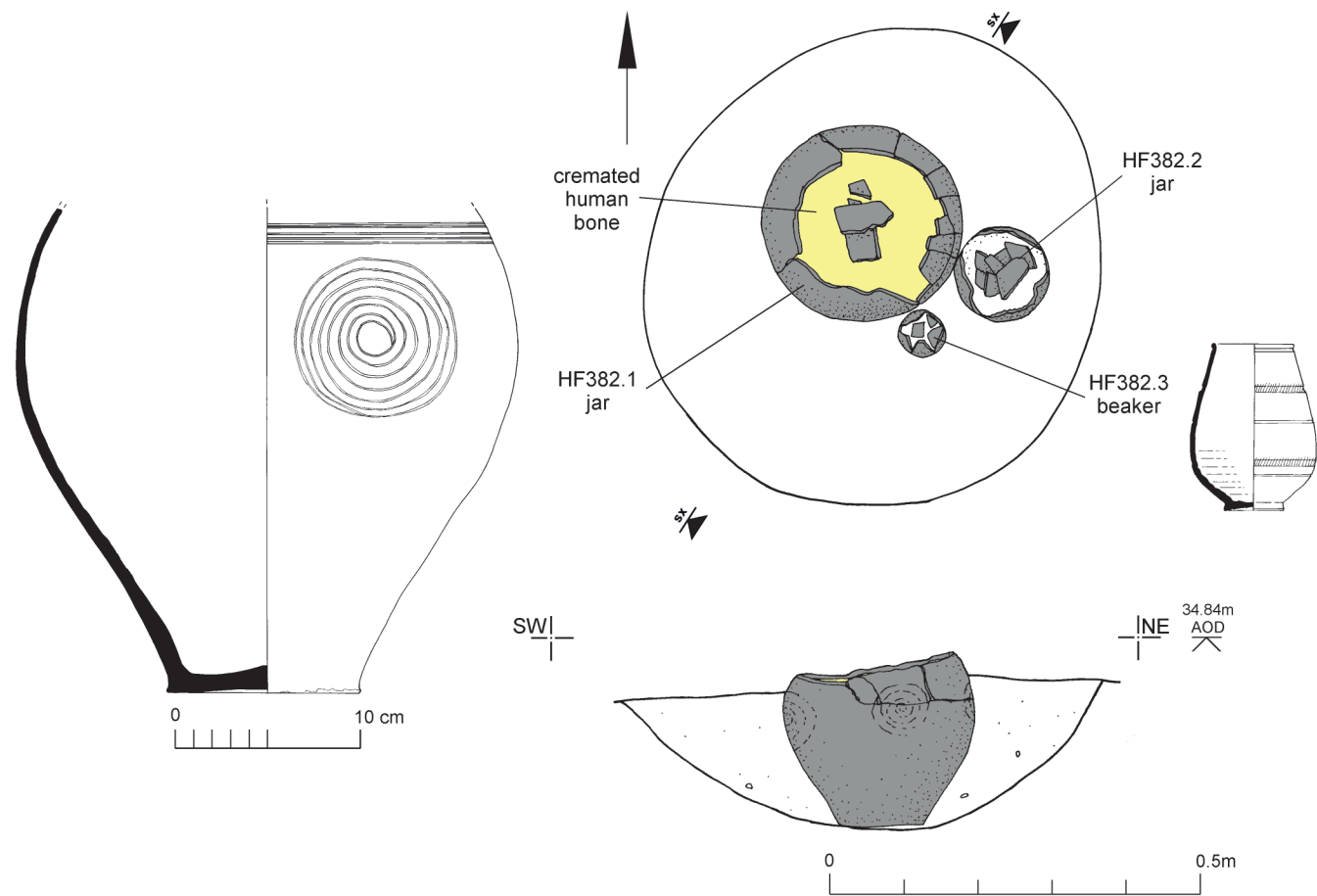


Fig 45 HF382: burial plan, section and pottery.

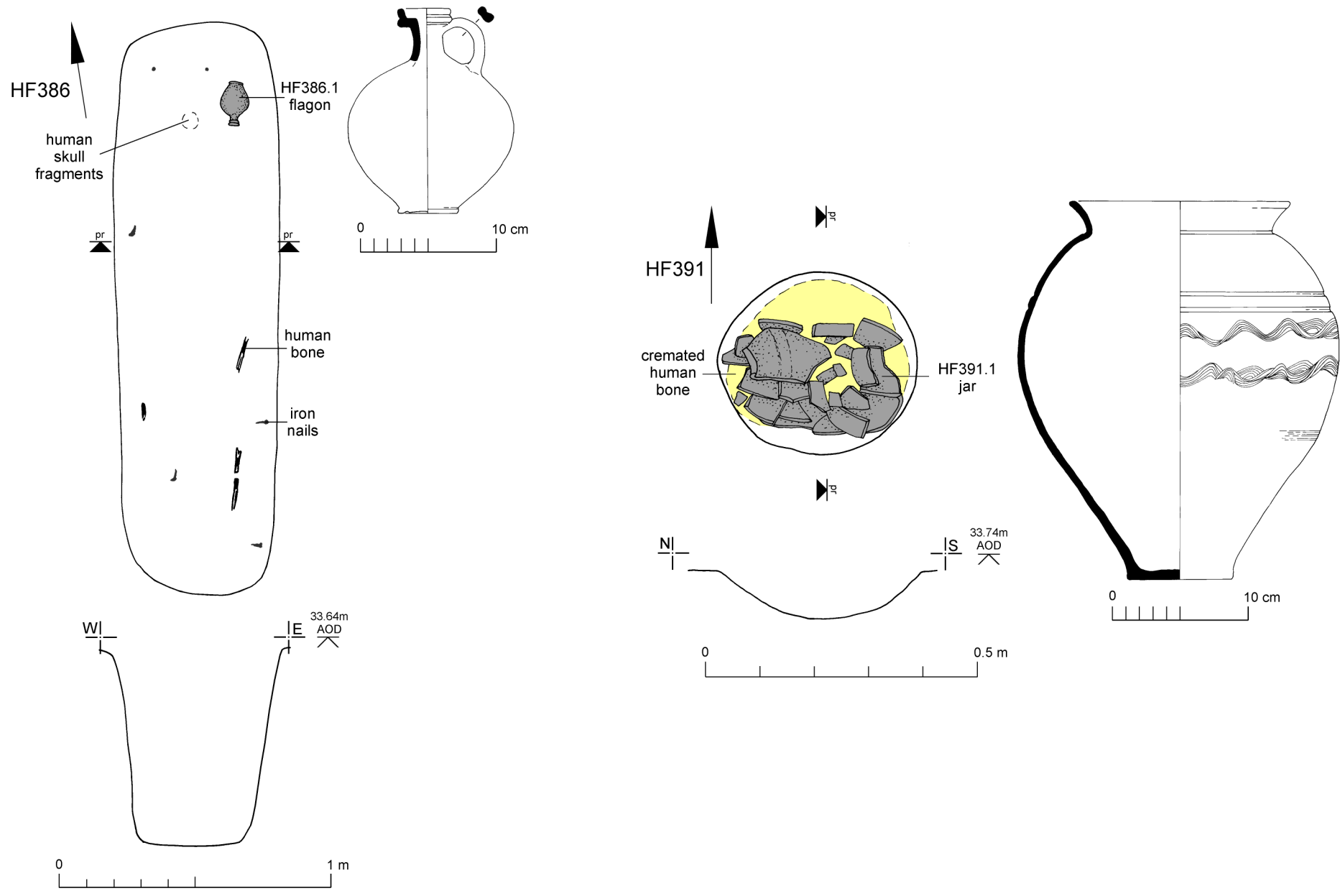


Fig 46 HF386 and HF391: burial plans, profiles and pottery.

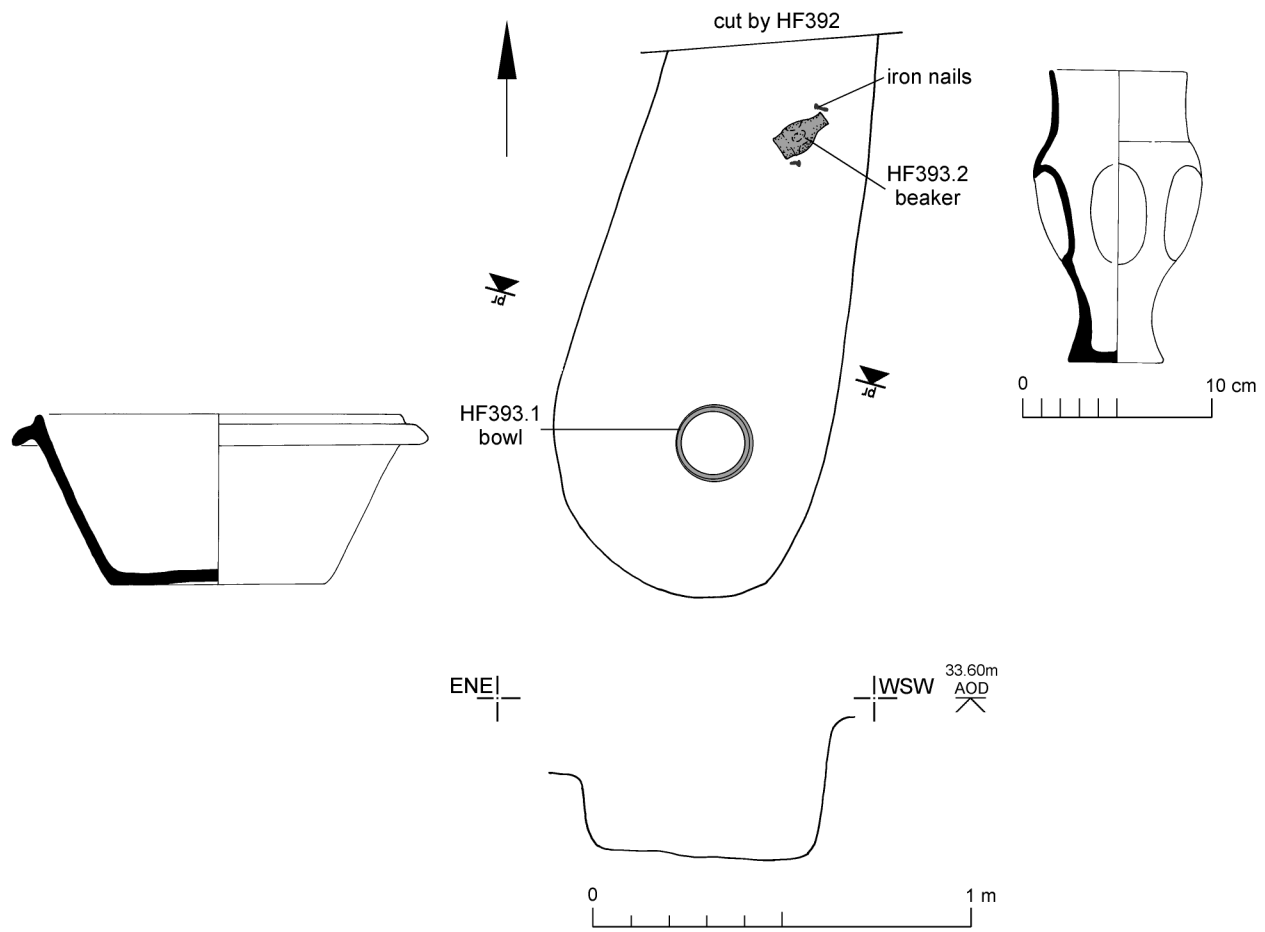


Fig 47 HF393: burial plan, profile and pottery.

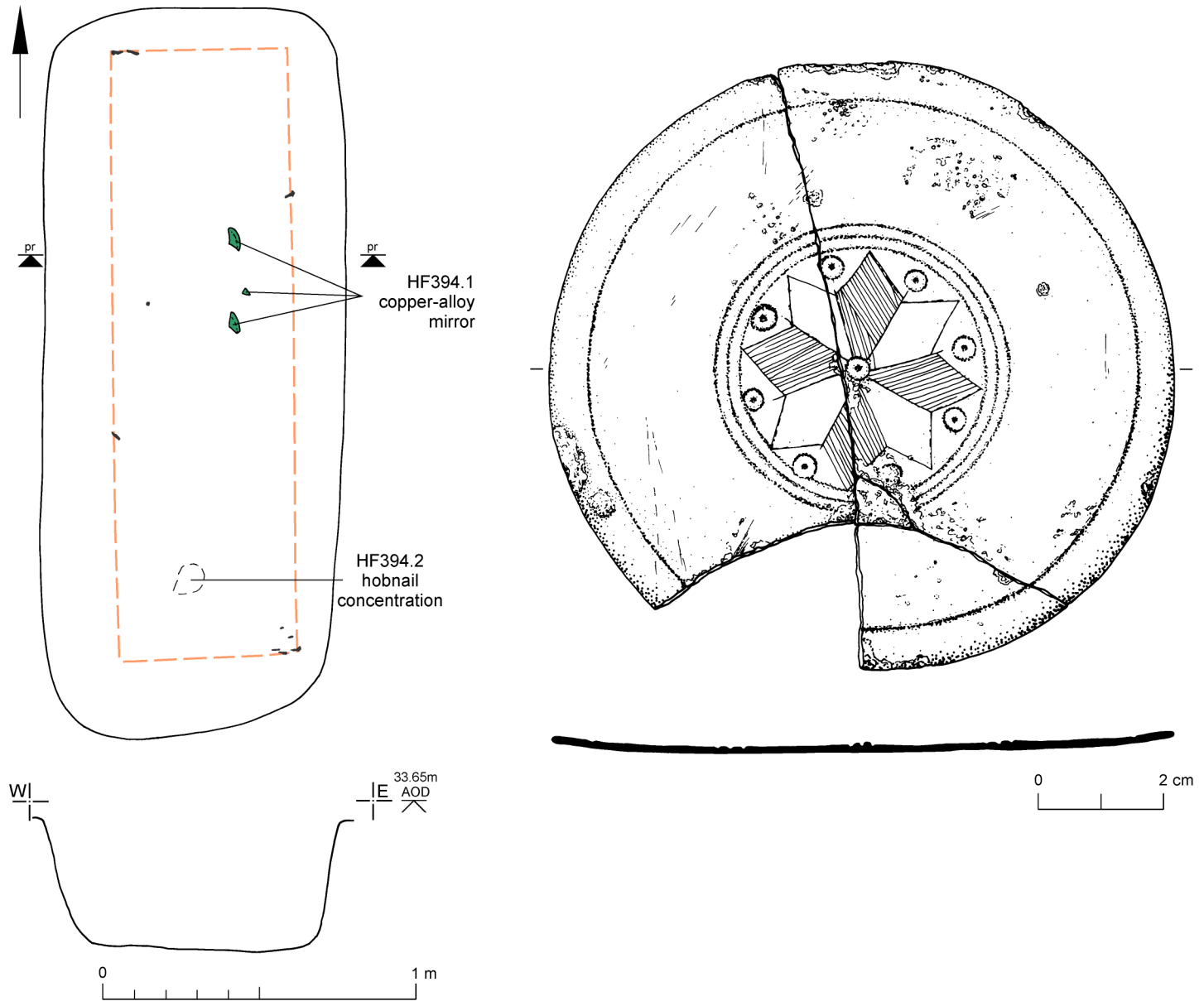


Fig 48 HF394: burial plan, profile and small find.

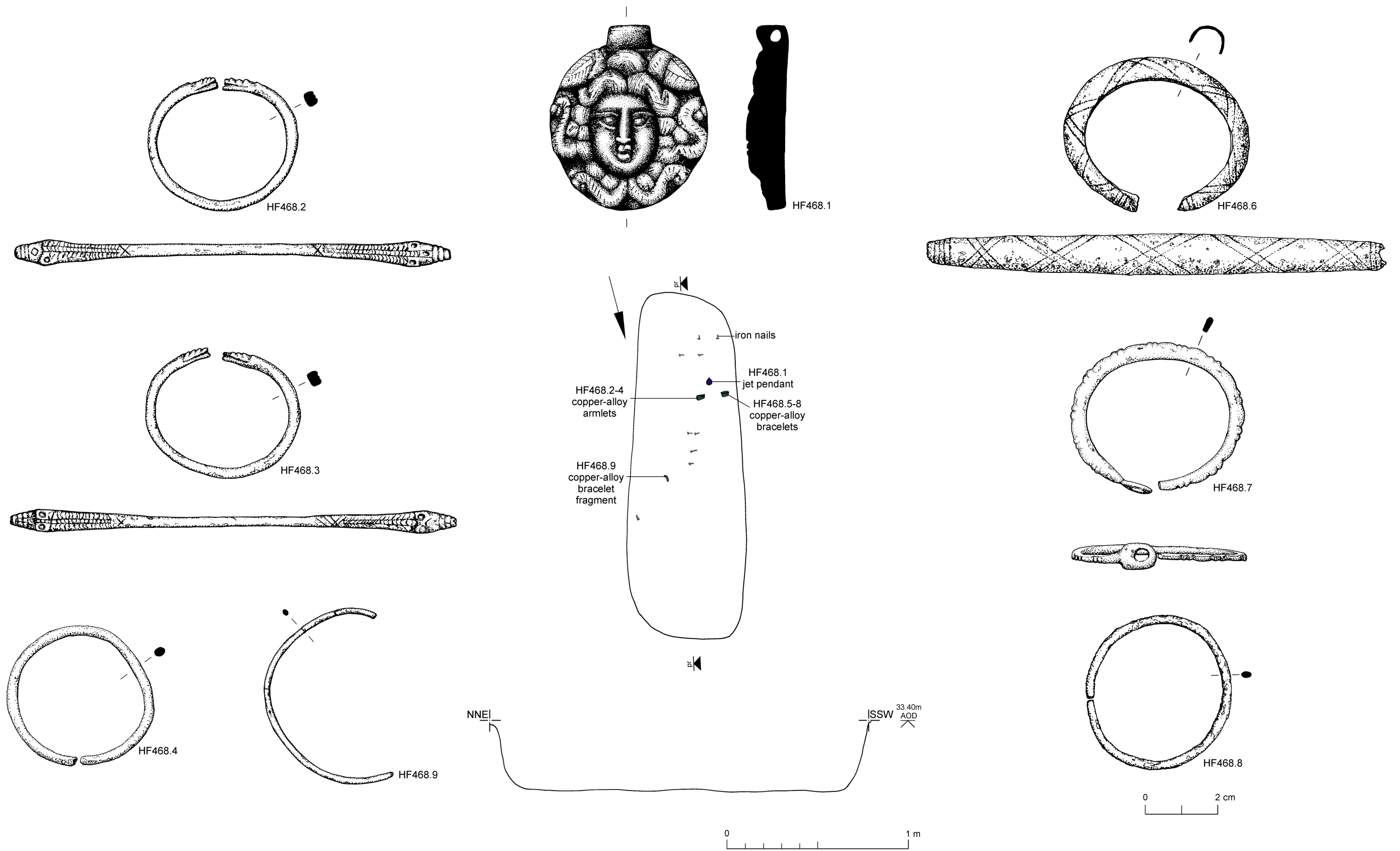


Fig 49 HF468: burial plan, profile and small finds.

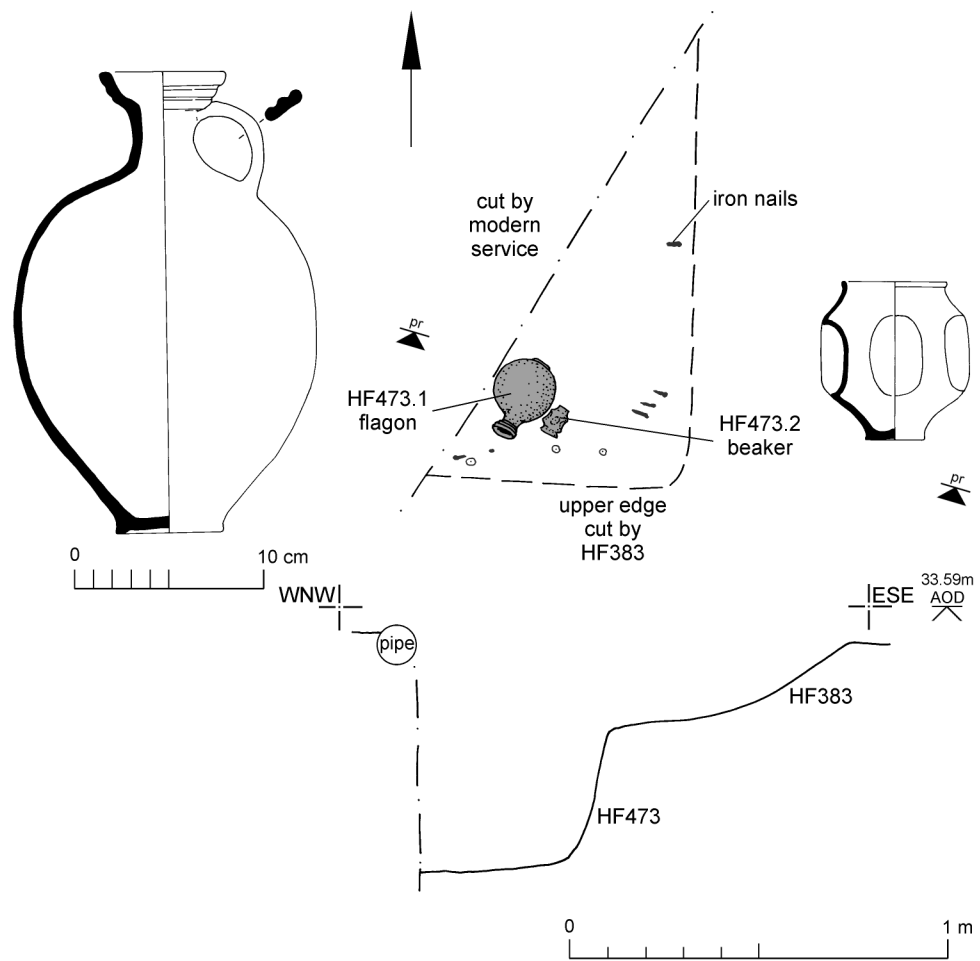


Fig 50 HF473: burial plan, profile and pottery.

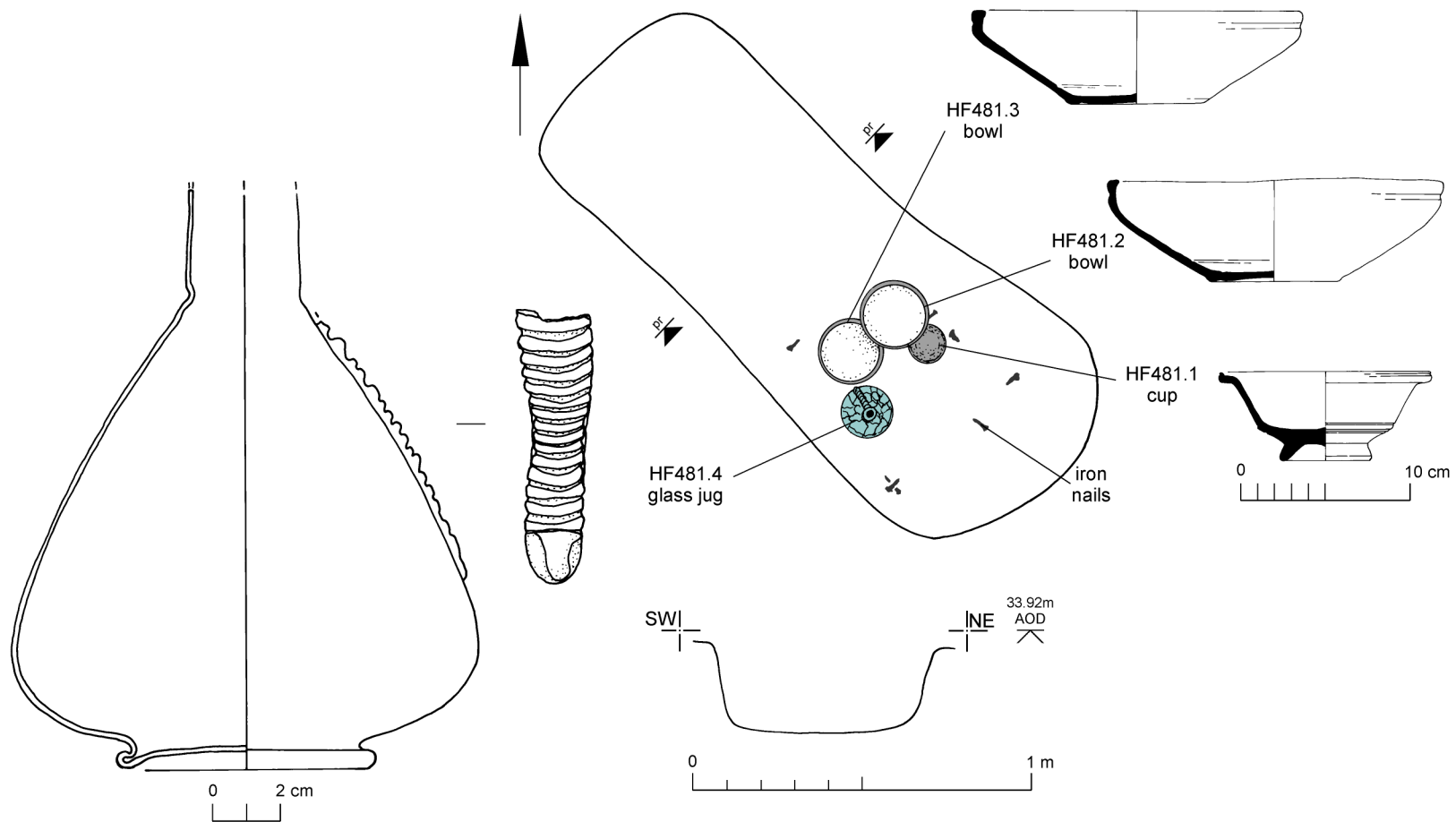


Fig 51 HF481: burial plan, profile, pottery and glass.

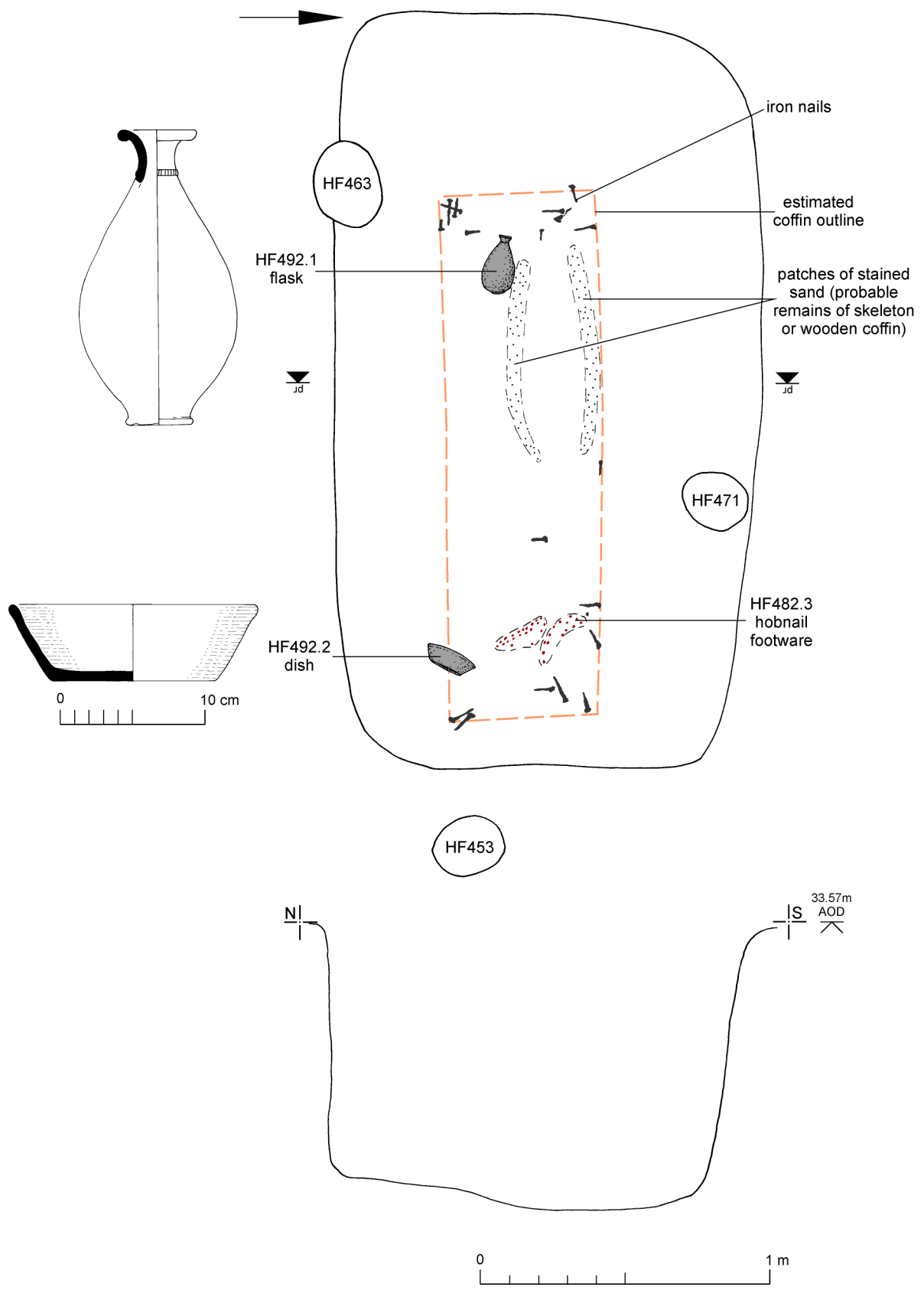


Fig 52 HF492: burial plan, profile and pottery.

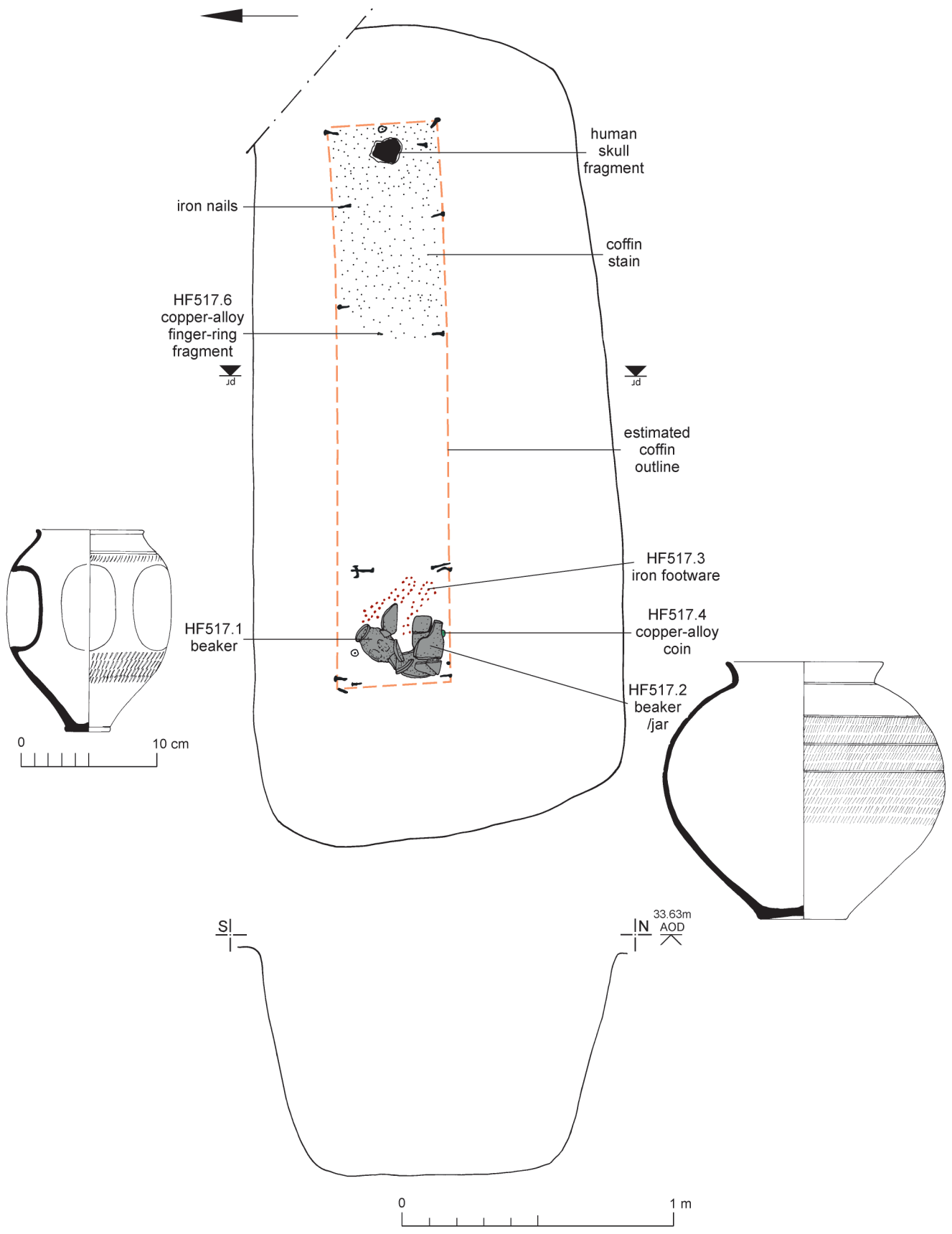


Fig 53 HF517: burial plan, profile and pottery.

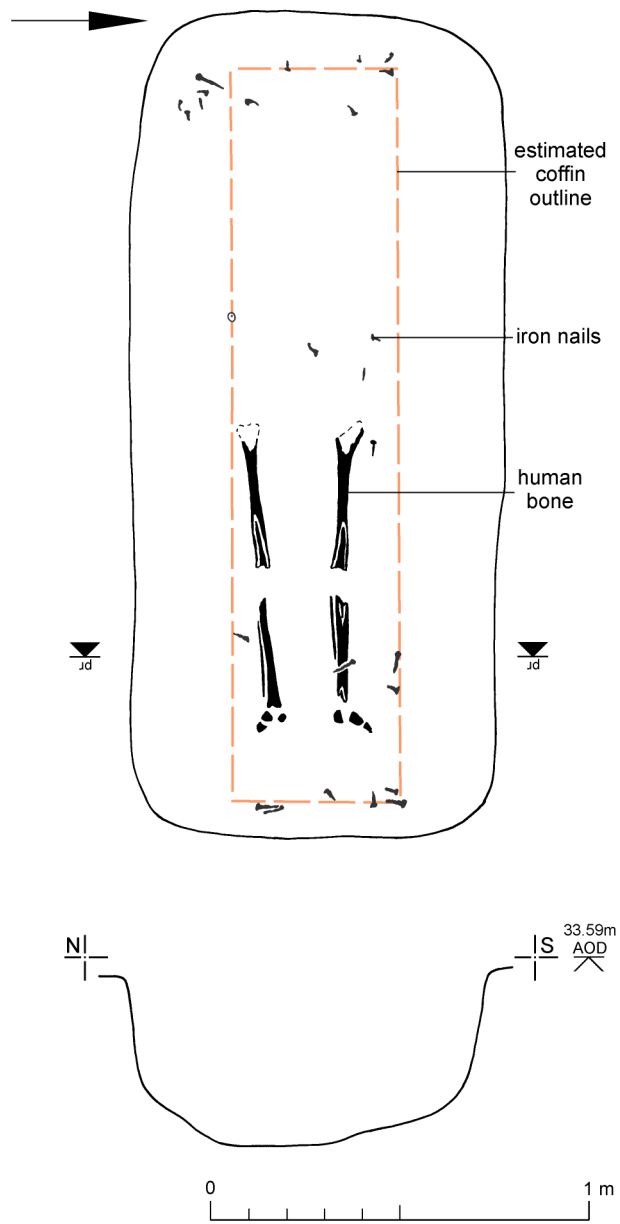


Fig 54 HF541: burial plan and profile.

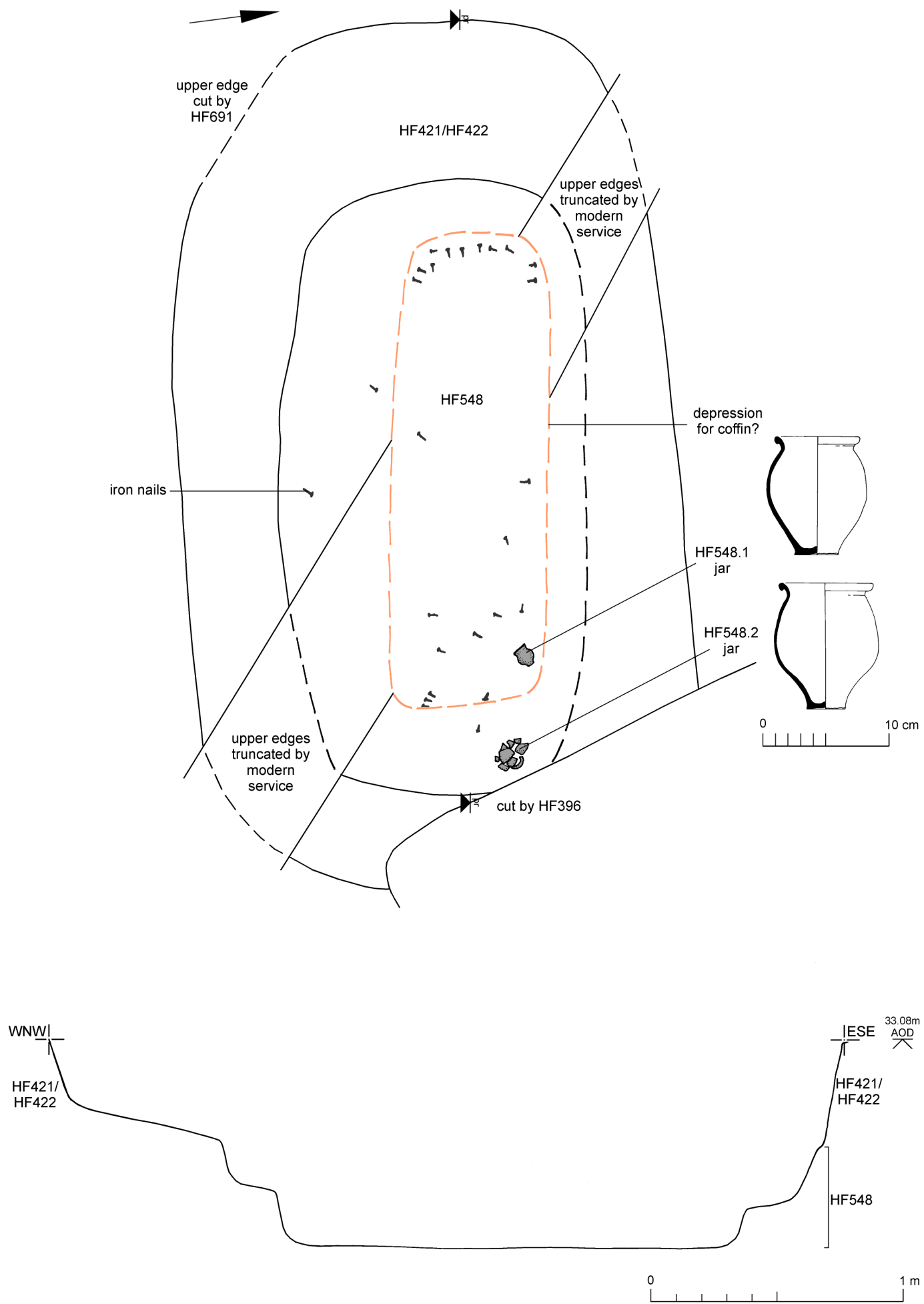


Fig 55 HF548: burial plan, profile and pottery.

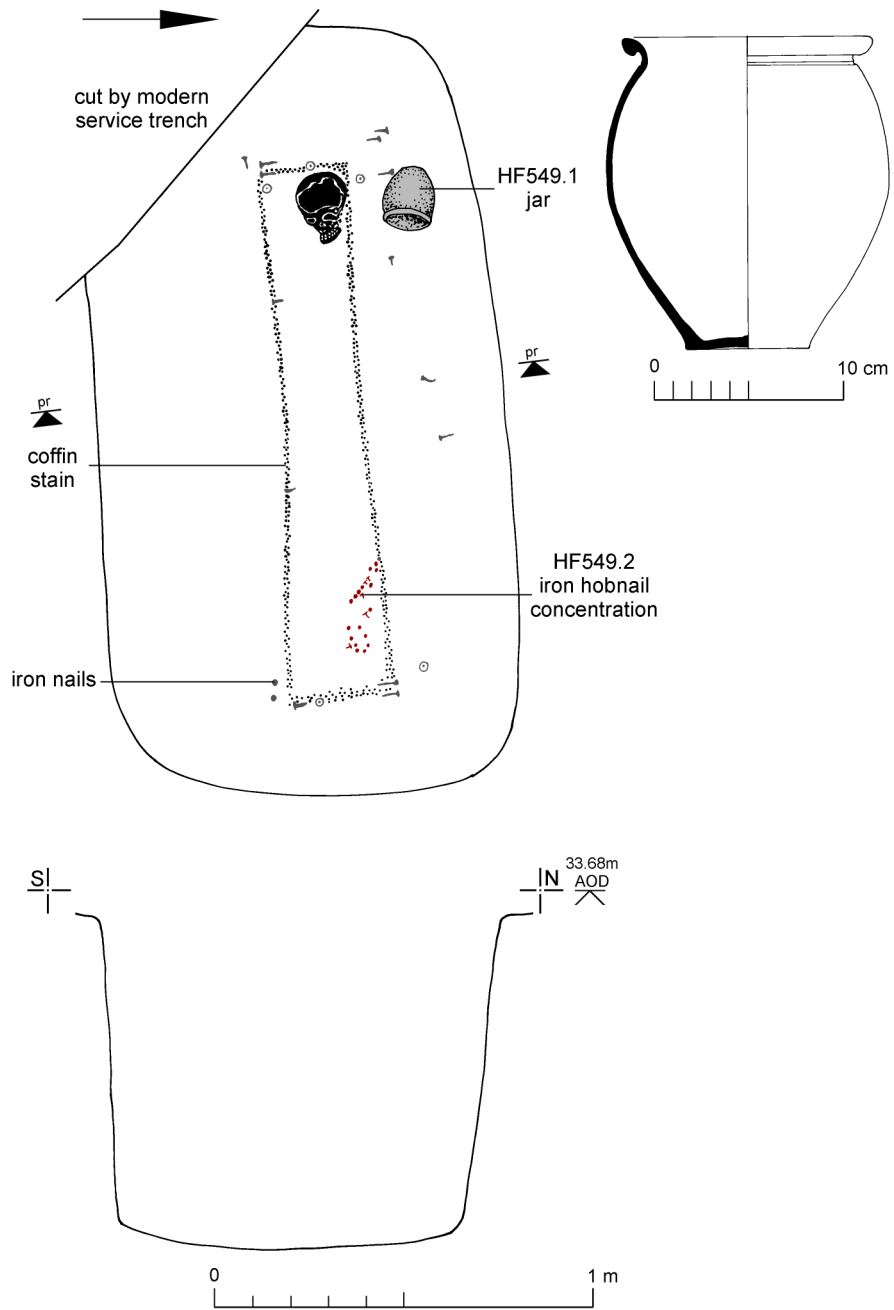


Fig 56 HF549: burial plan, profile and pottery.

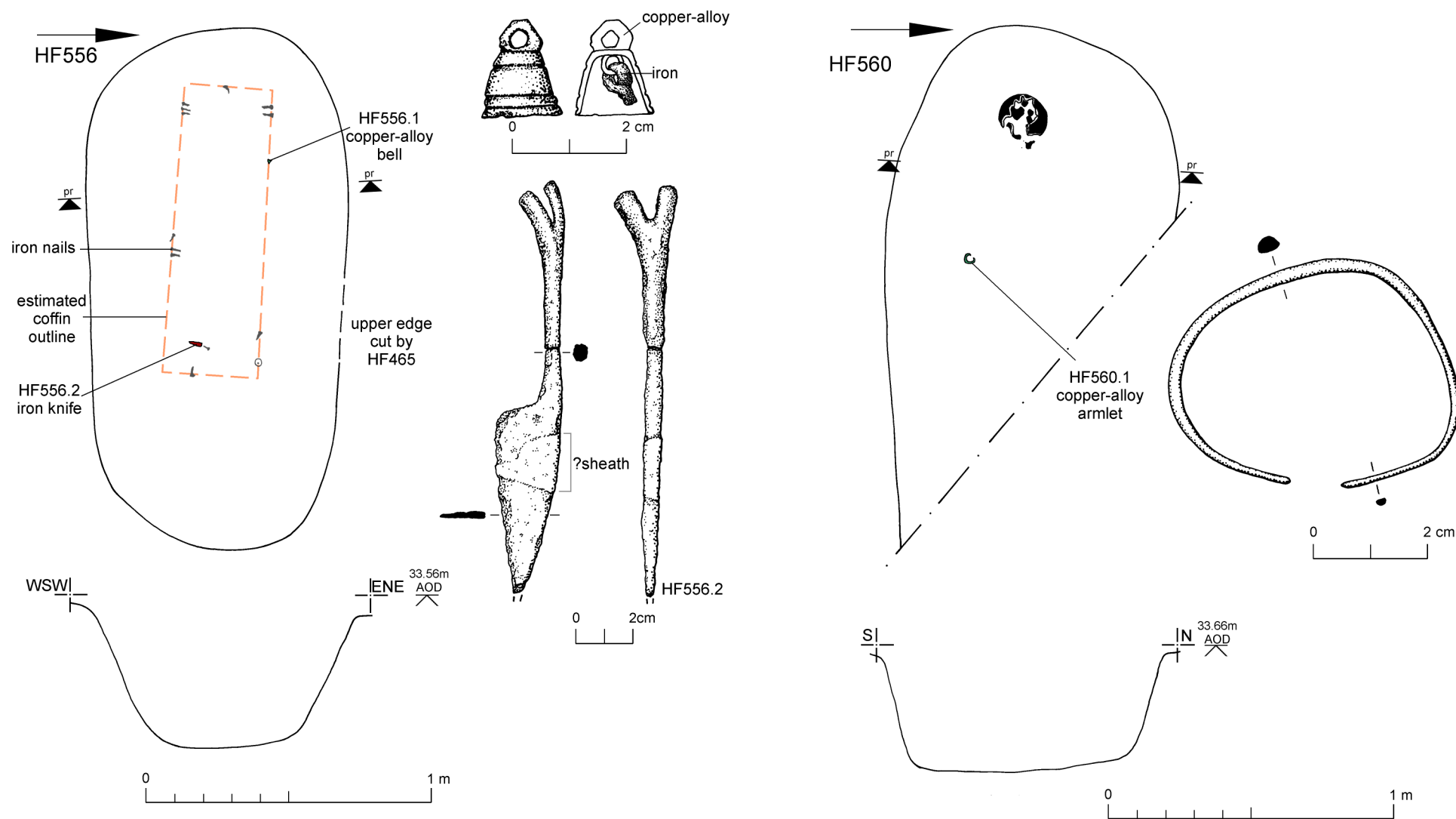


Fig 57 HF556 and HF560: burial plans, profiles and small finds.

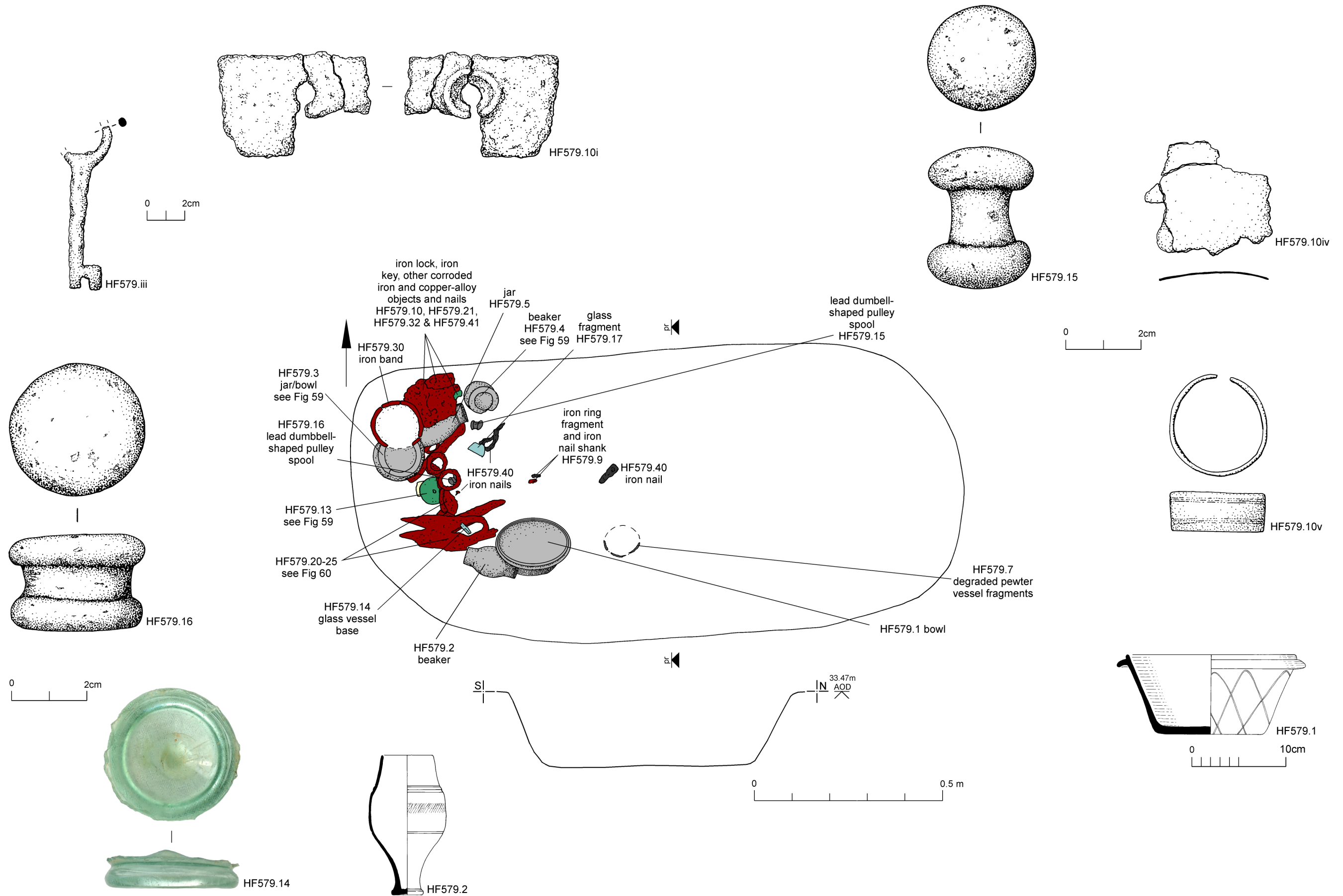


Fig 58 HF579: burial plan, profile (scale 1:10), pottery (scale 1:4), glass (scale 1:1) and small finds (HF579.10iv-v, HF579.15-16 scale 1:1. HF579.10i and iii scale 1:2).

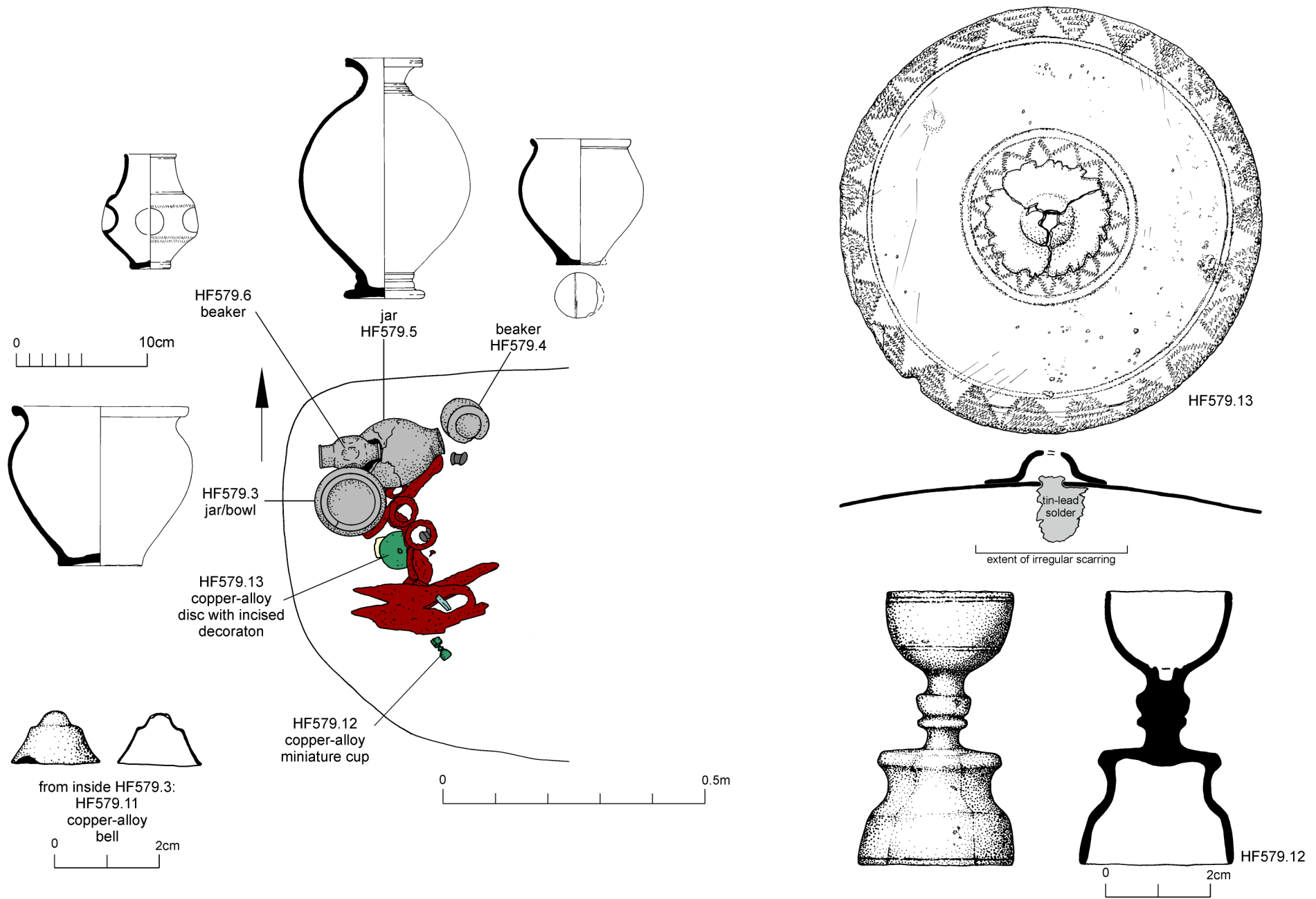


Fig 59 HF579: burial plan overlay 1 (scale 1:10), pottery (scale 1:4) and small finds (scale 1:1).

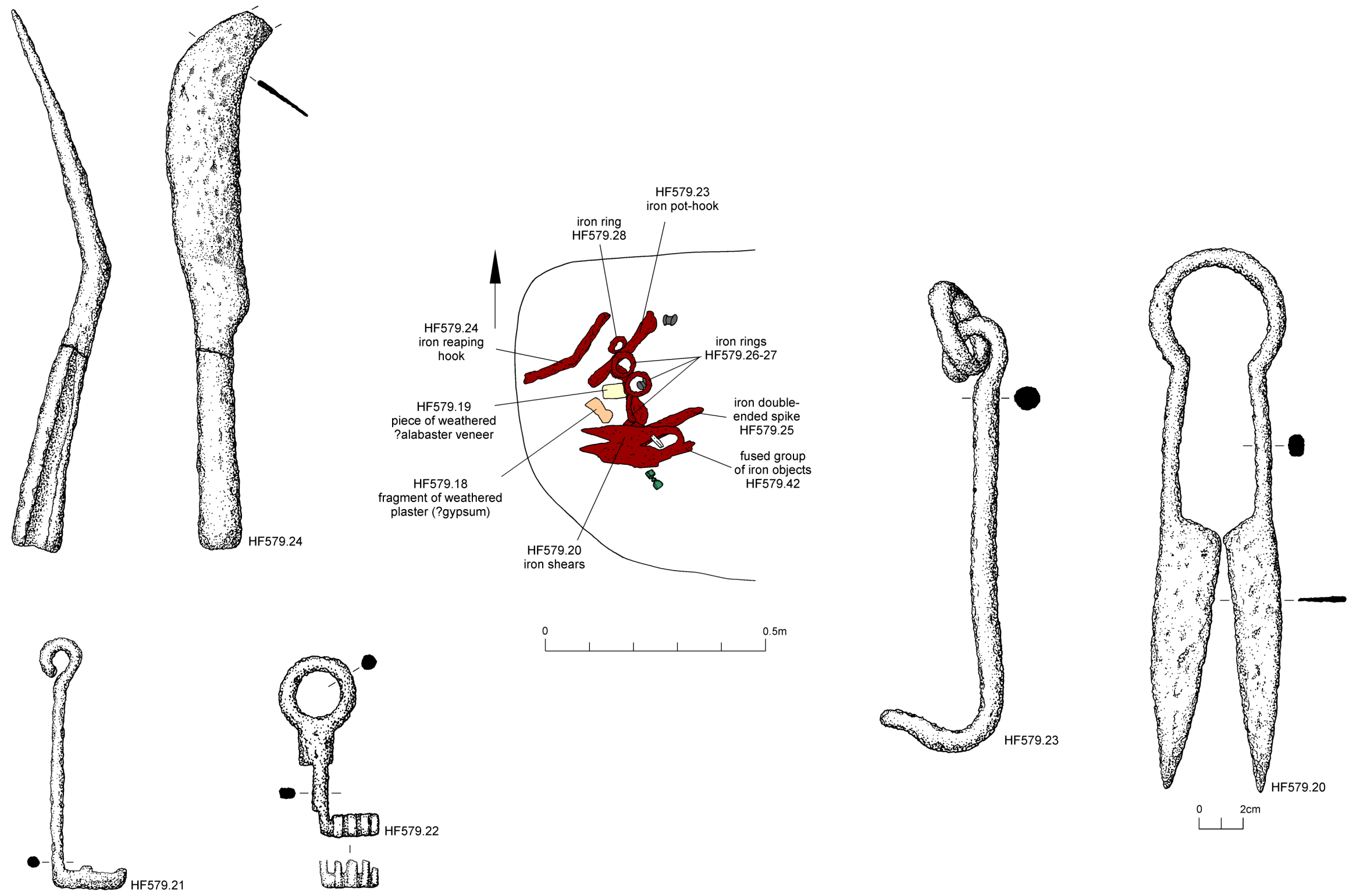


Fig 60 HF579: burial plan overlay 2 (scale 1:10) and small finds (scale 1:2).

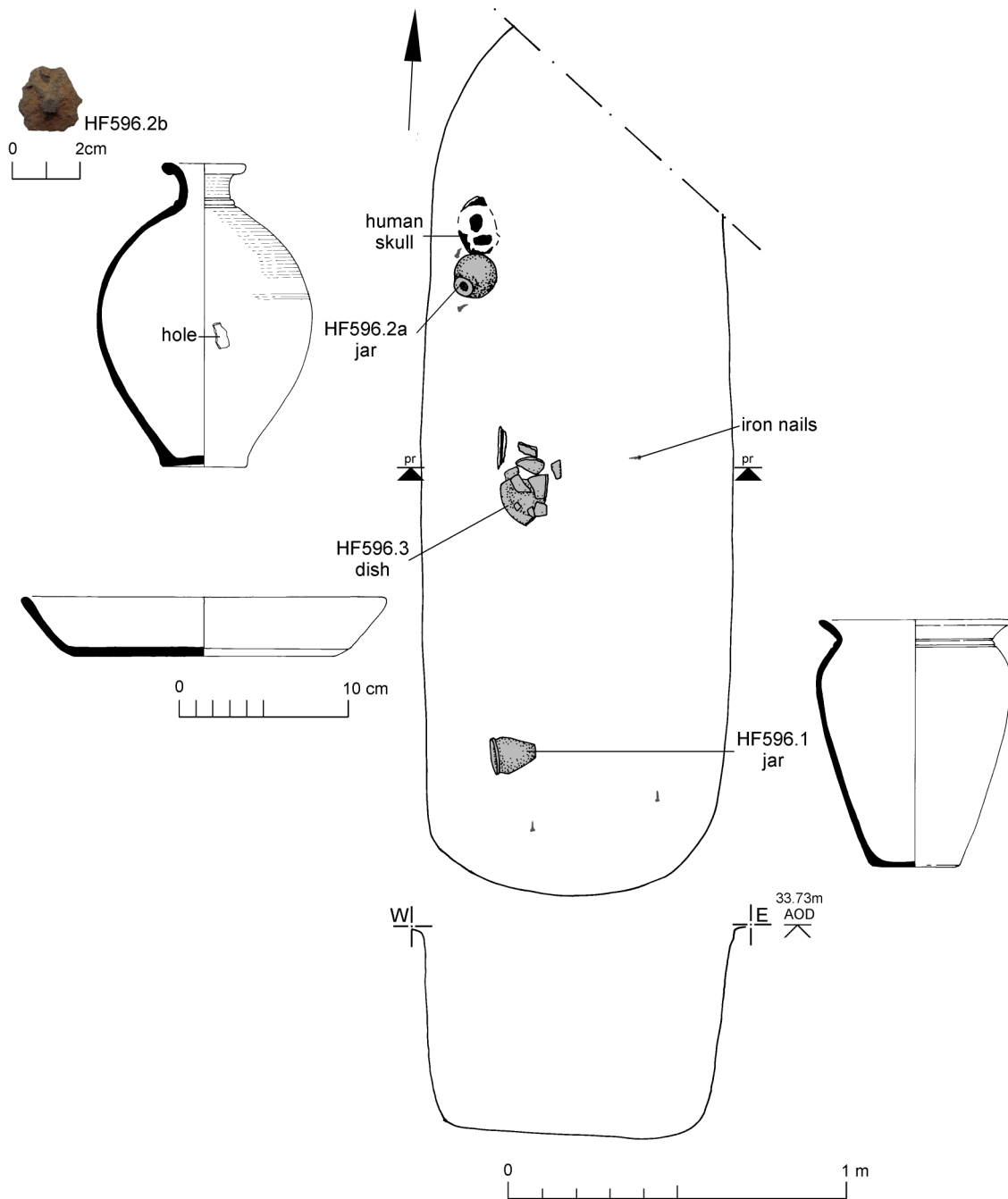


Fig 61 HF596: burial plan, profile and pottery.

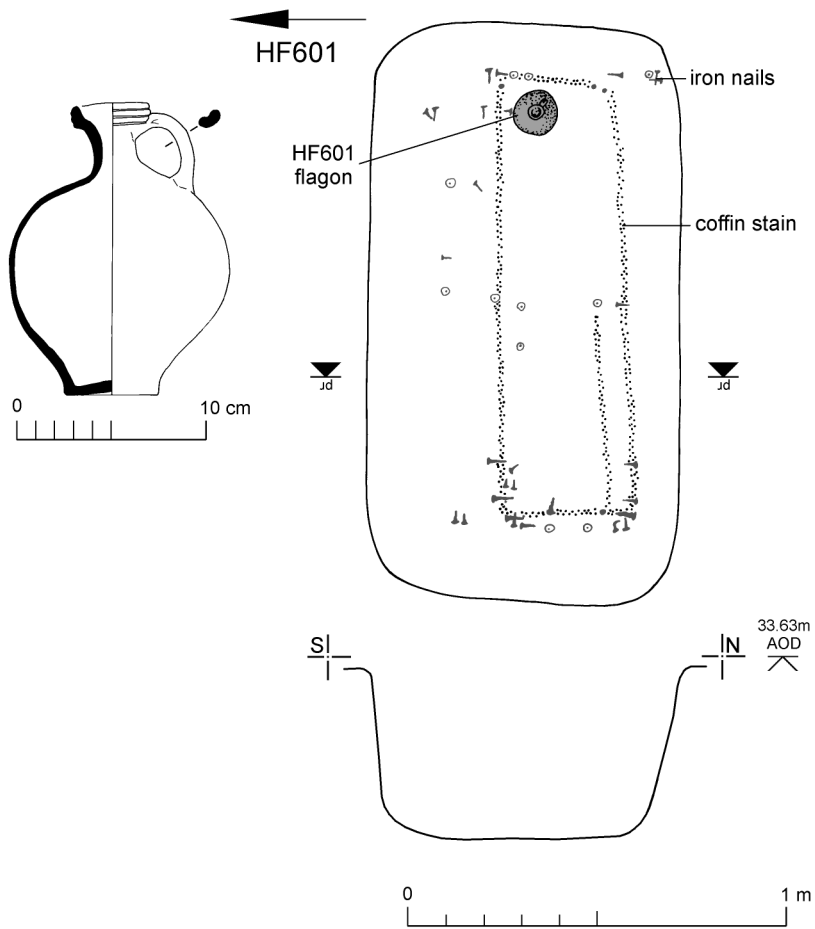
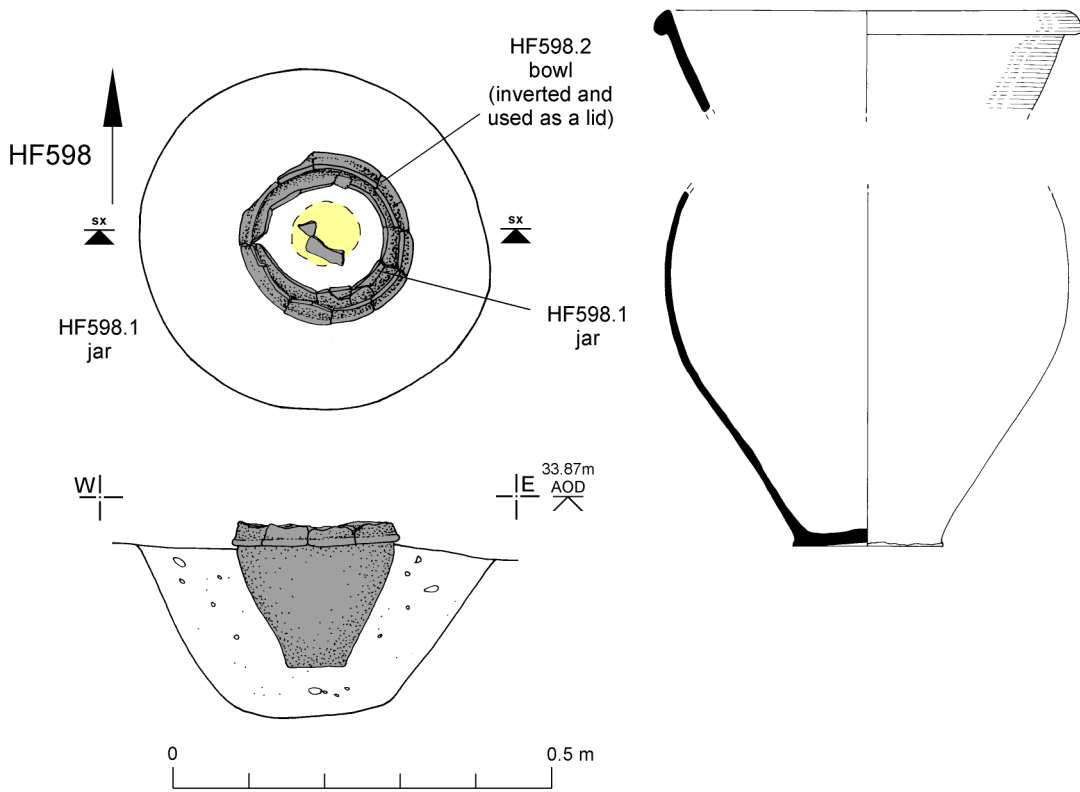


Fig 62 HF598 and HF601: burial plans, section, profile and pottery.

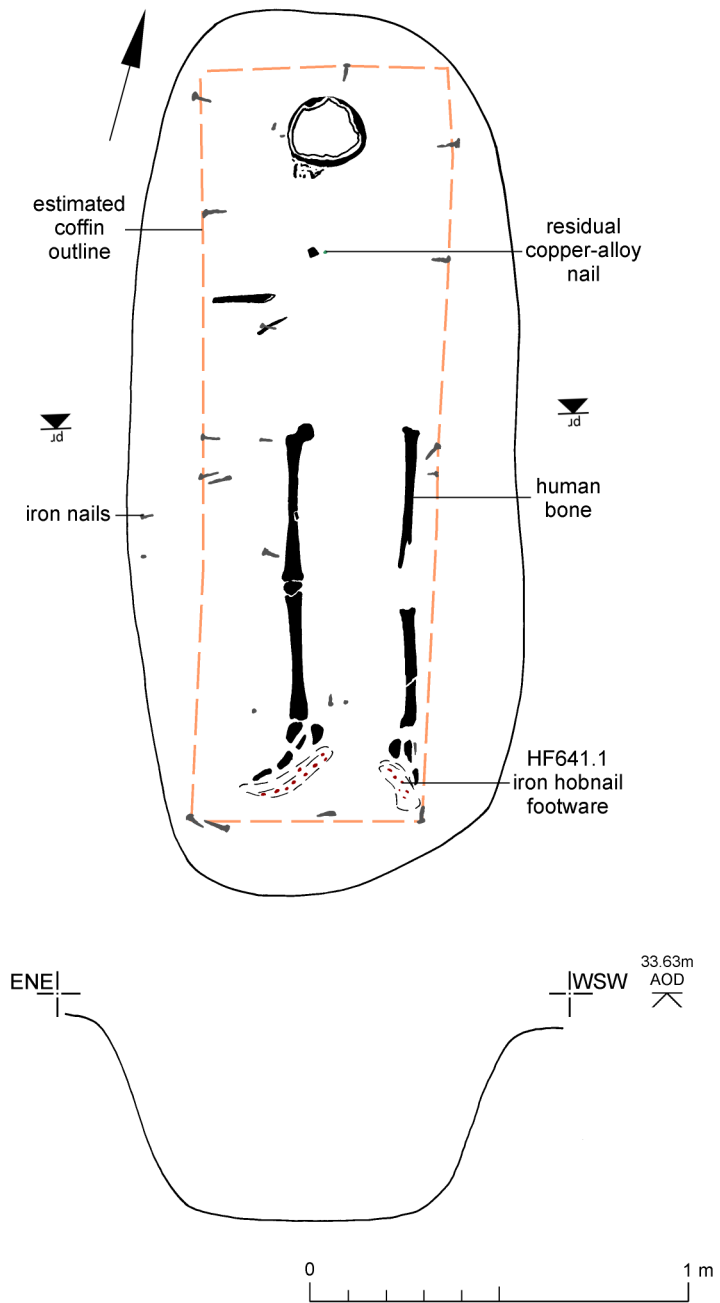


Fig 63 HF641: burial plan and profile.

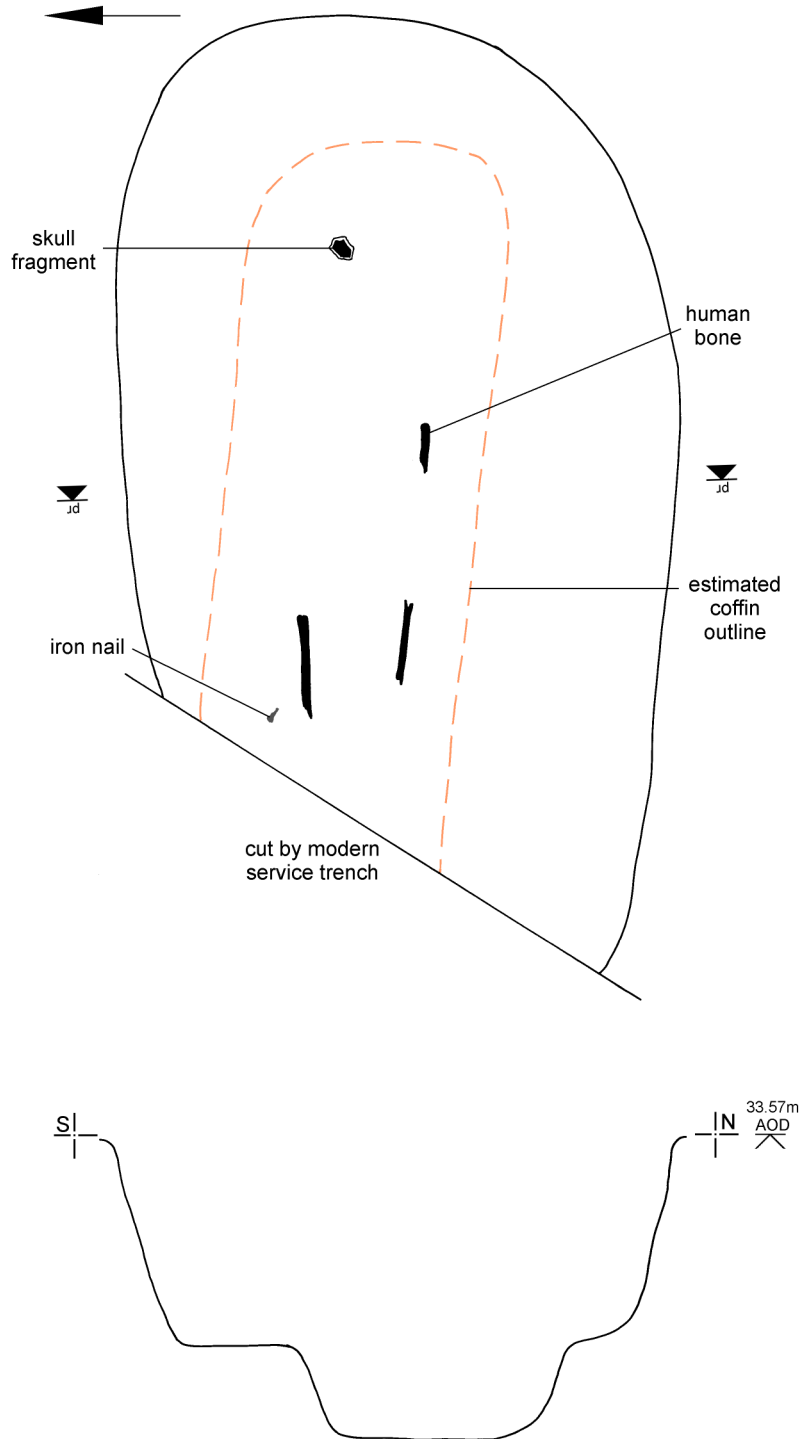


Fig 64 HF643/4: burial plan and profile.

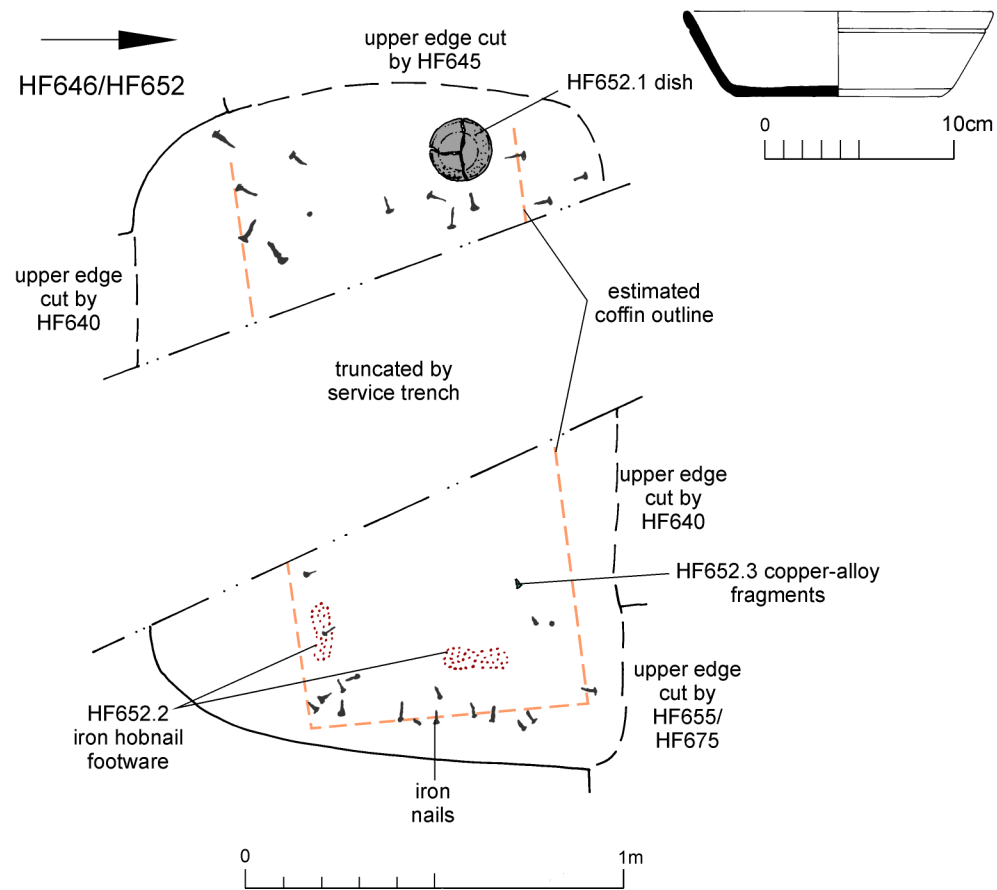
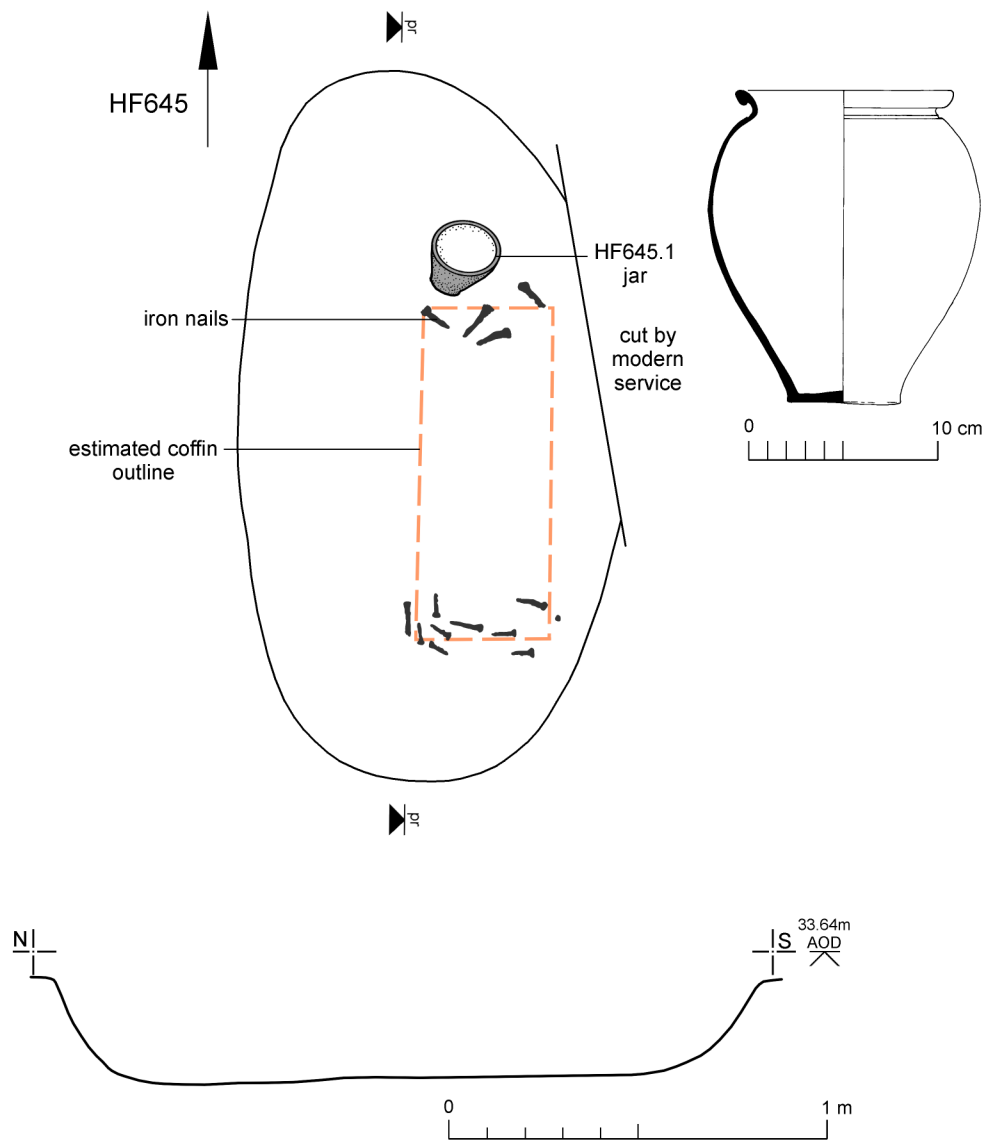


Fig 65 HF645 and HF646/HF652: burial plans, profiles and pottery.

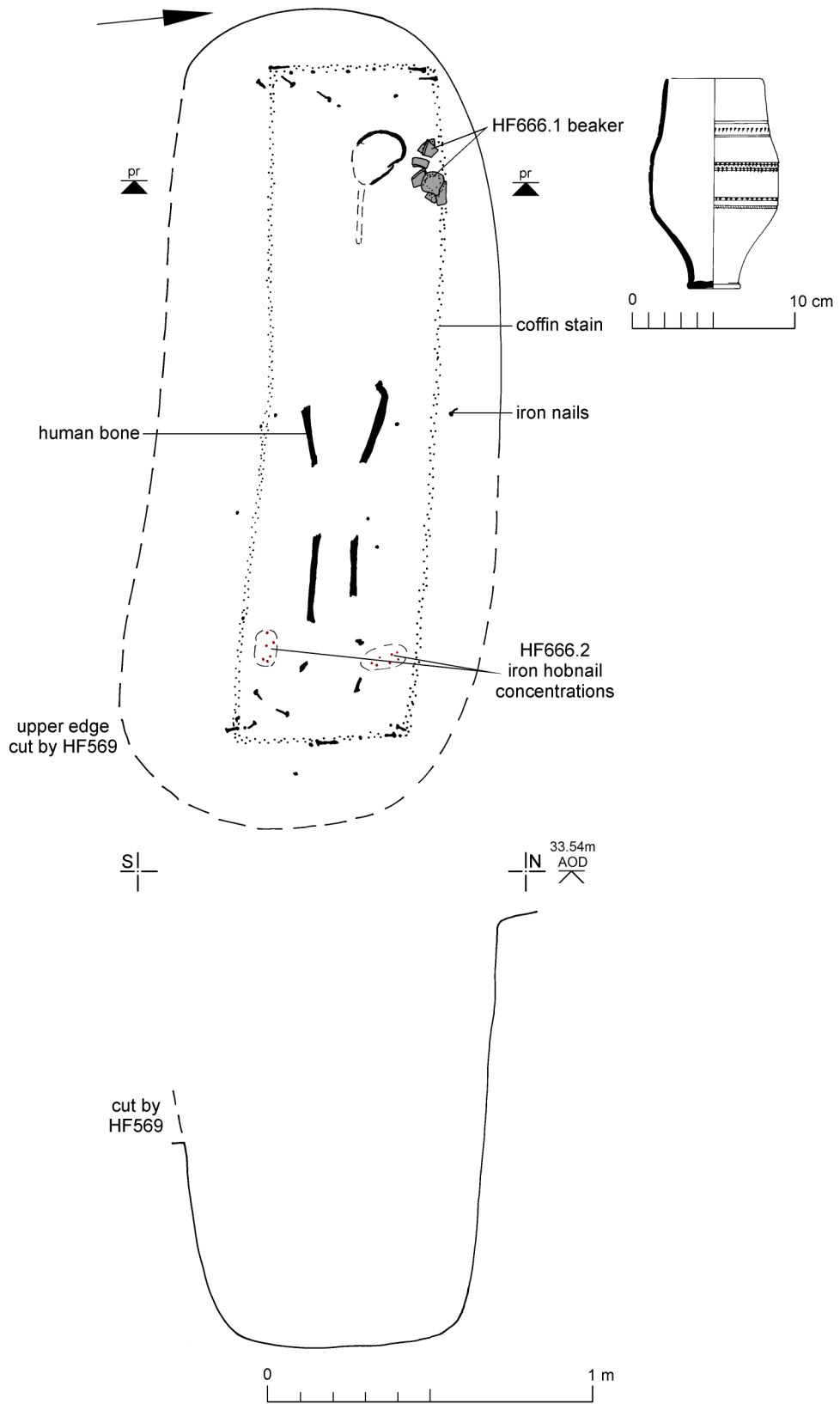


Fig 66 HF666: burial plan, profile and pottery.

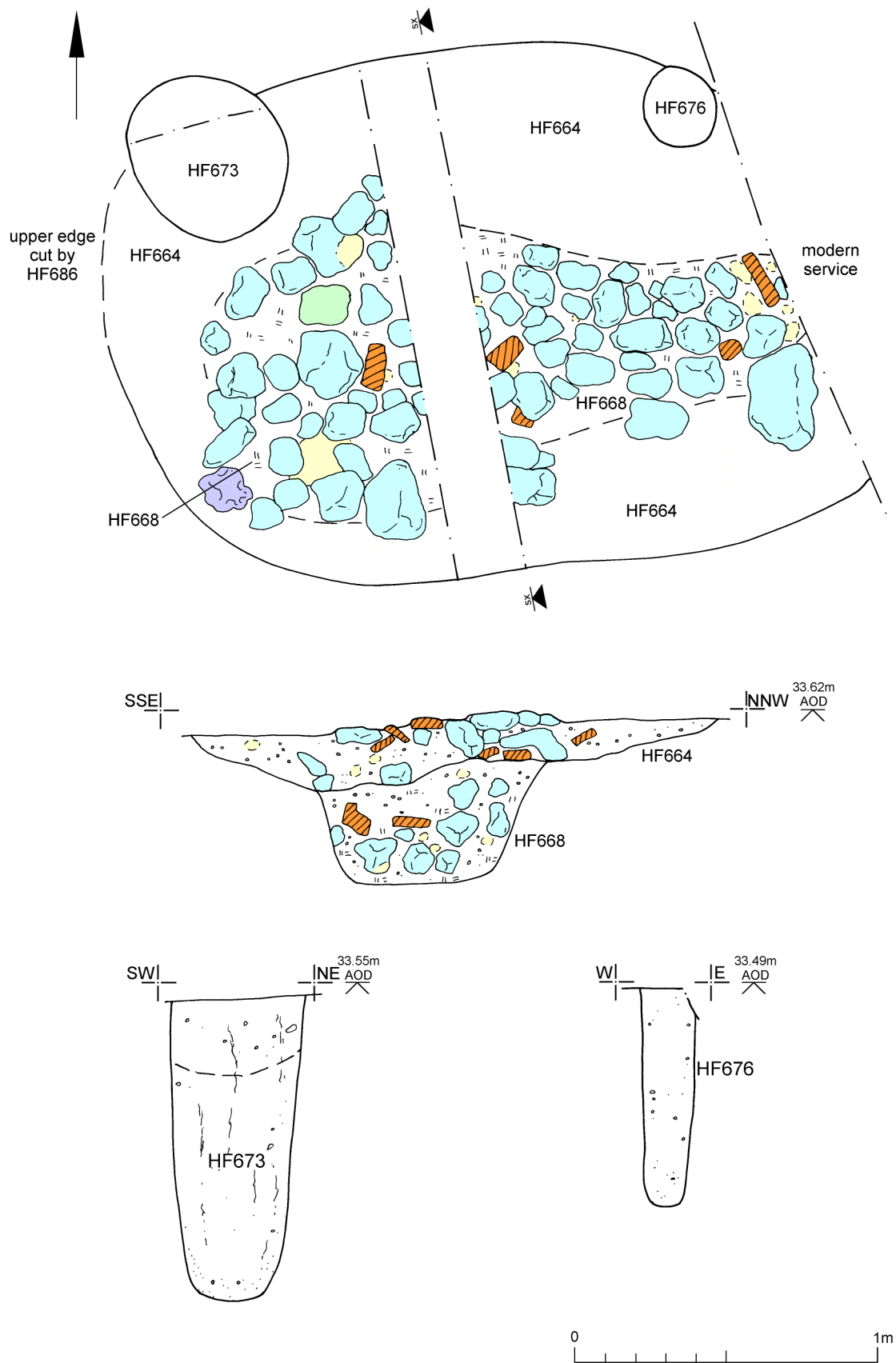


Fig 67 HF664 and HF668 mausoleum and associated post-holes (HF673 and HF676): plan and sections (see Fig 68 for burial plan).

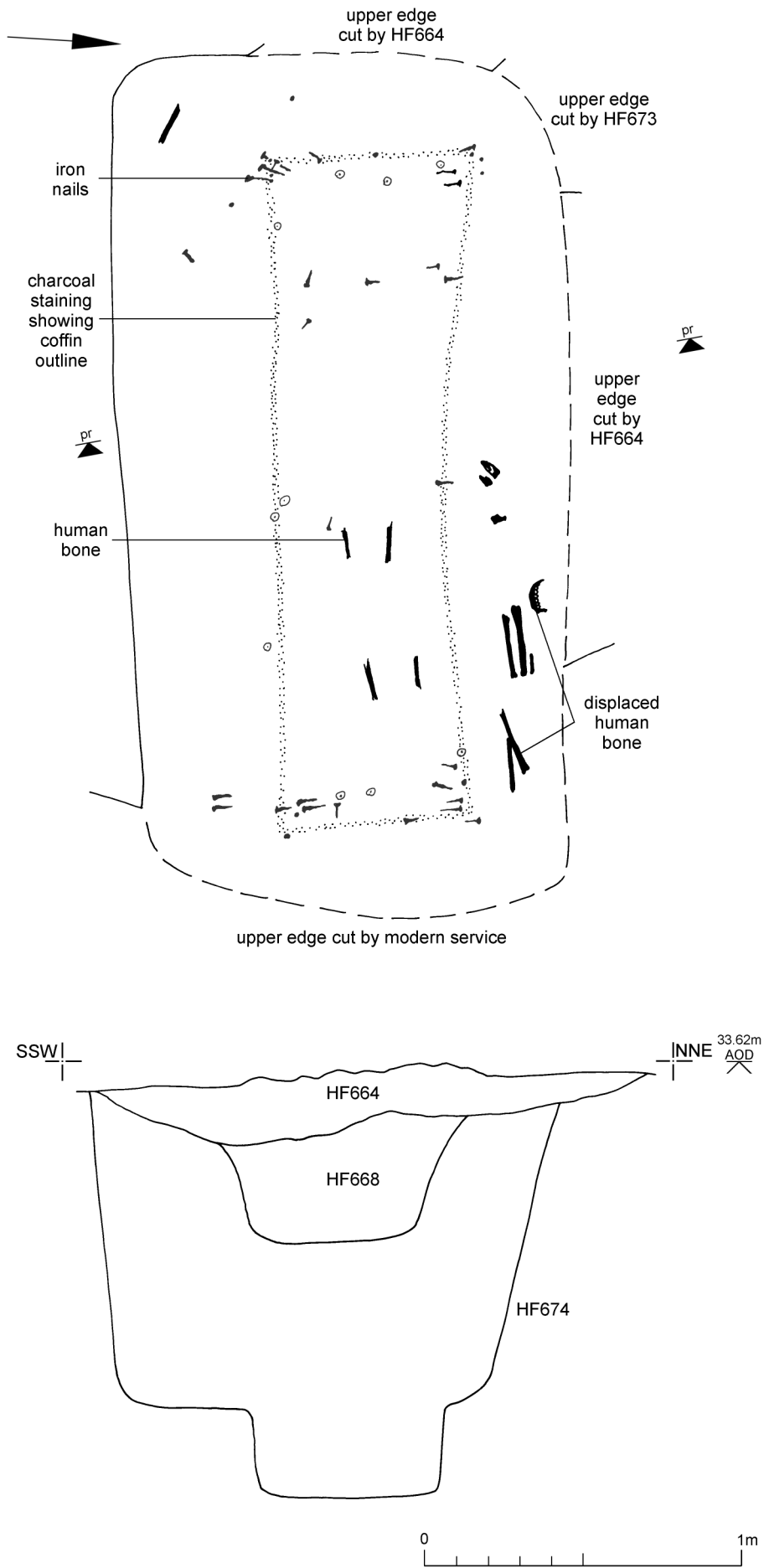


Fig 68 HF674: burial plan and profile.

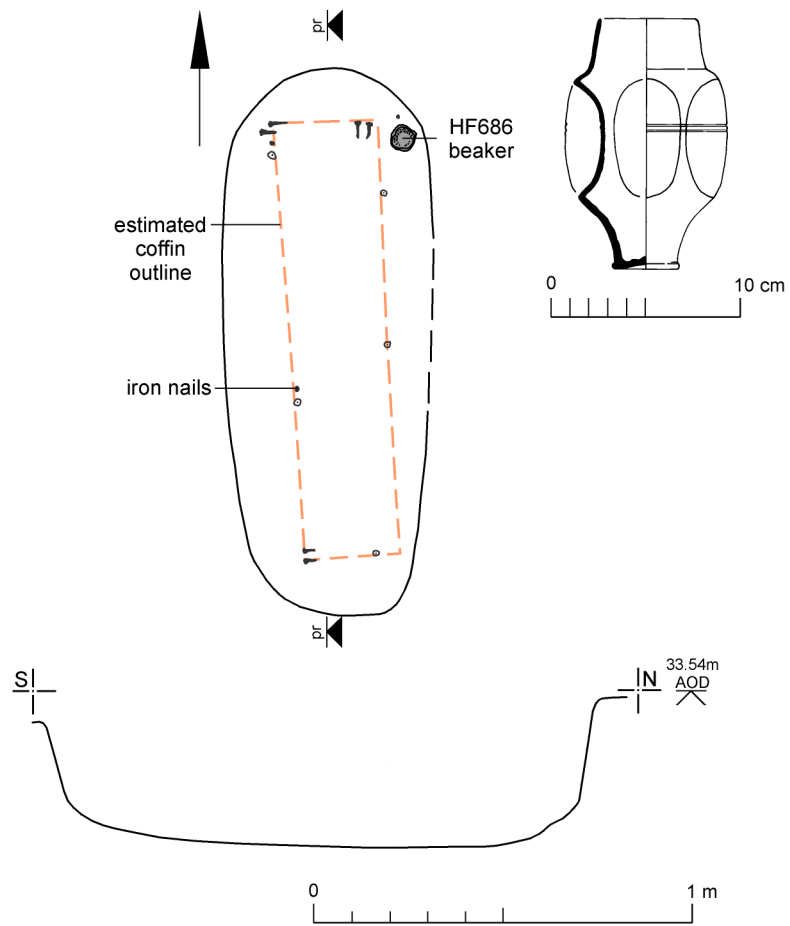


Fig 69 HF686: burial plan, profile and pottery.

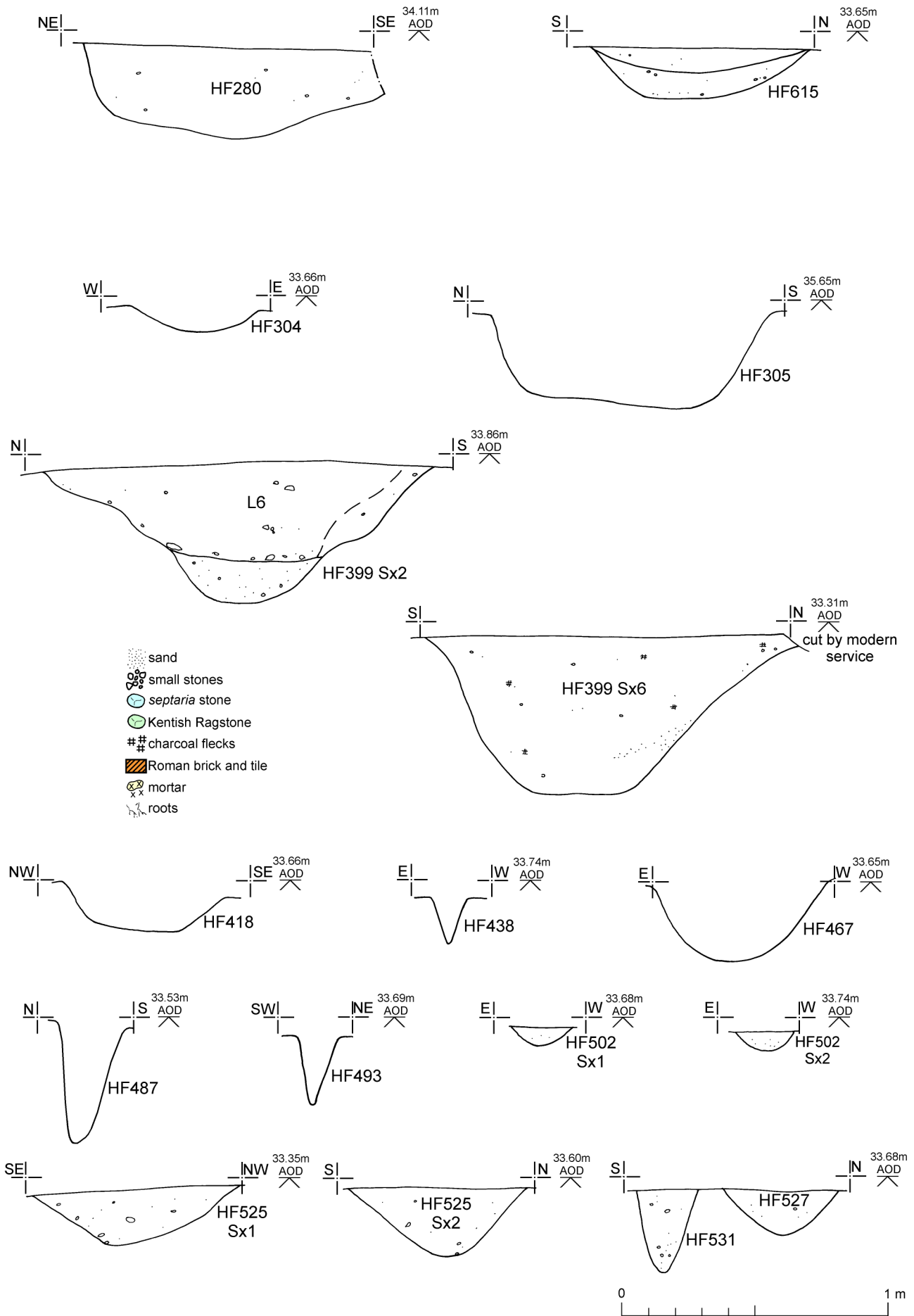


Fig 70 General sections: Bronze Age (HF280 and HF615) and Roman features from Area H1 (HF304-HF531).

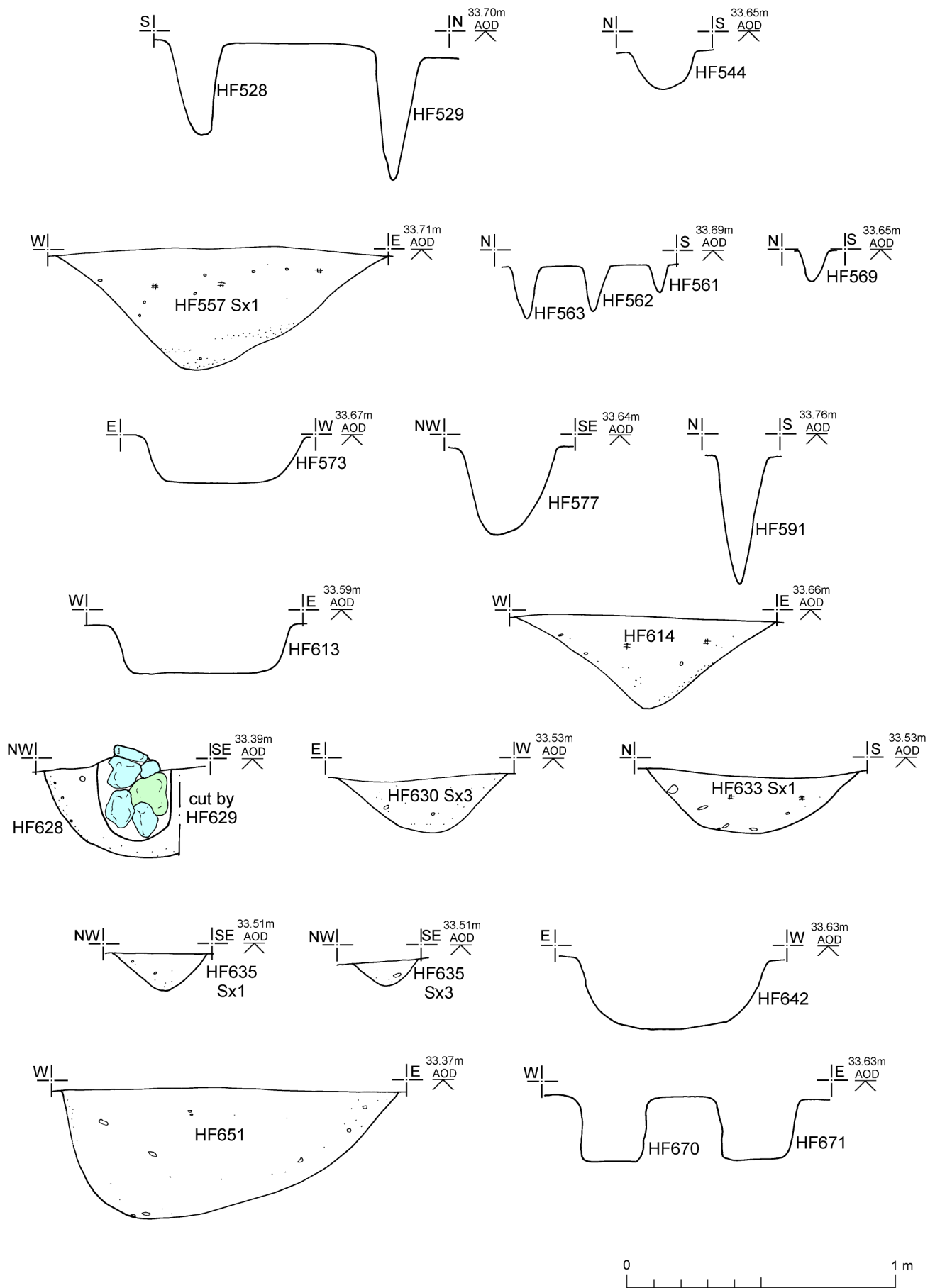


Fig 71 General sections: Roman features from Area H1.

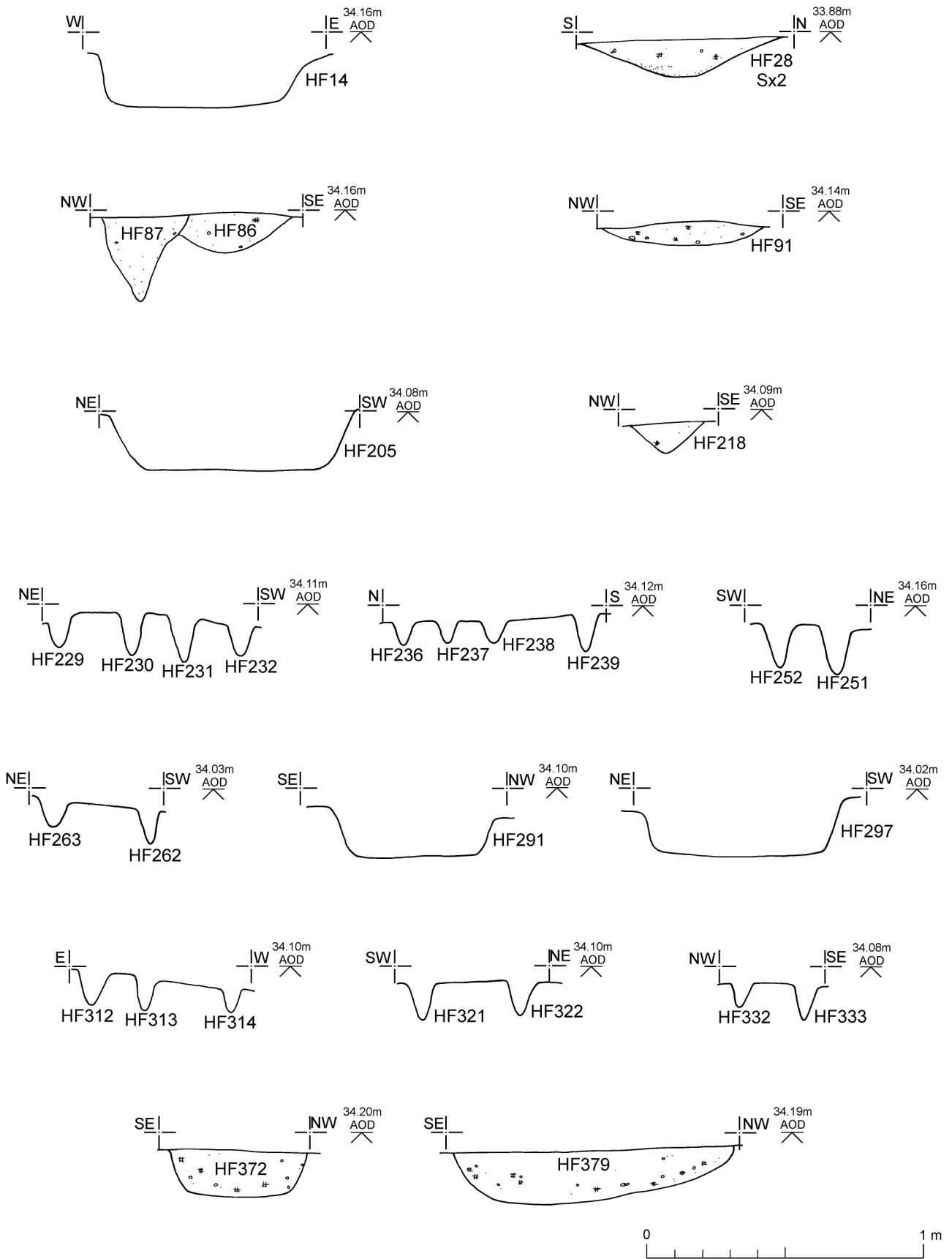


Fig 72 General sections: Roman features from Area H2.

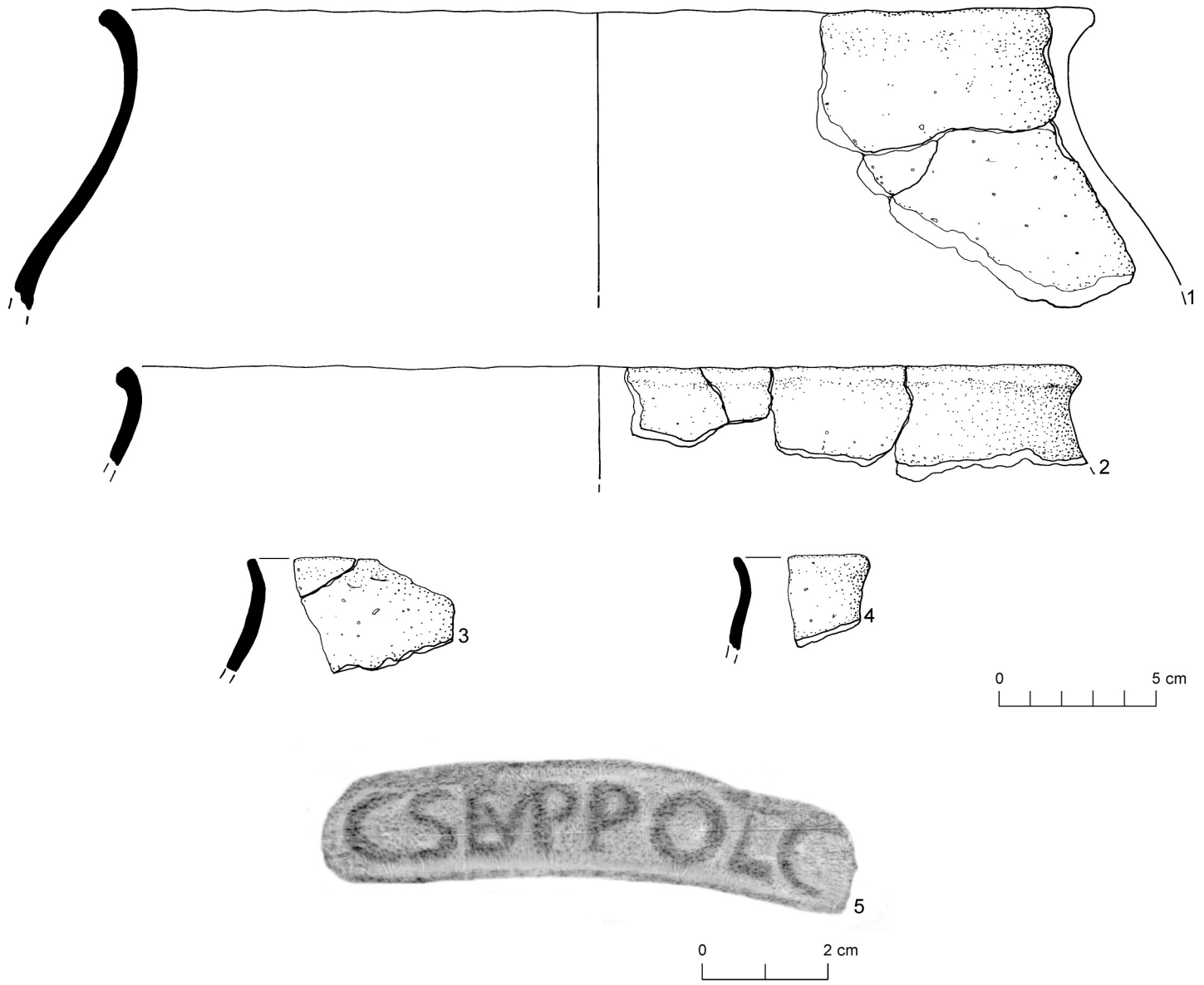


Fig 73 Non-burial prehistoric (1-4) and Roman (5) pottery.

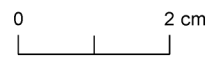
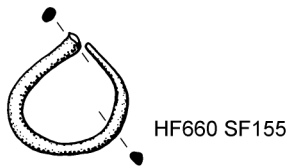
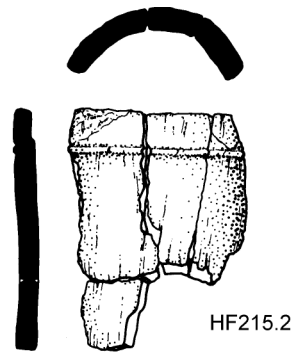
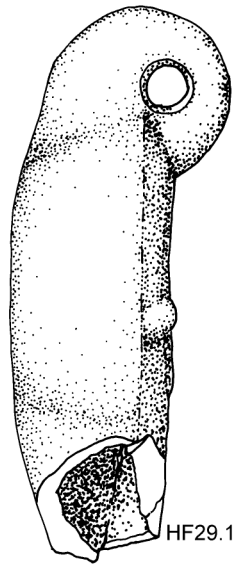
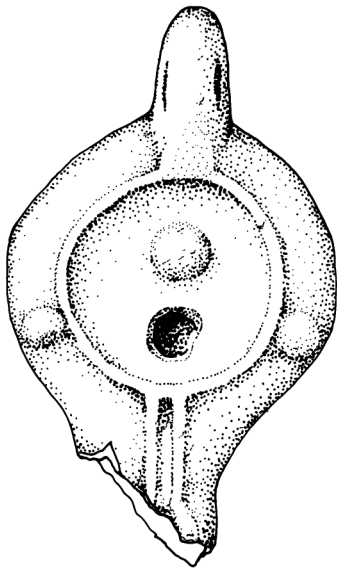
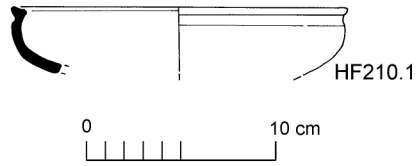


Fig 74 Other pottery and small finds from burials.

Essex Historic Environment Record/ Essex Archaeology and History

Summary sheet

Address: Colchester Garrison Alienated Land 'Area H', off Butt Road, Colchester, Essex, CO3 2DL	
Parish: Colchester	District: Colchester
NGR: TL 99300 24600 (centre)	Site code: CAT project ref.: 12/17g CHER ref: ECC4101 OASIS ref: colchest3-300605
Type of work: Excavation	Site director/group: Colchester Archaeological Trust
Date of work: September 2012 – February 2013	Size of area investigated: 2.07h
Location of curating museum: Colchester museum accession code COLEM: 2012.50	Funding source: Developer
Further seasons anticipated? no	Related SMR number: Roman Circus, SM no. 35614
Final report: CAT Report 1033	
Periods represented: primarily Roman, small amount of Bronze Age, medieval, post-medieval and modern	
<p>Summary of fieldwork results: Archaeological excavation of 'Area H' of the Colchester Garrison Alienated Land was divided into two areas. Area H1 covered 810m² and Area H2 705m². Excavations were confined to the northwestern half of Area H, located in an area of known Roman burials. To the southeast is Colchester's Roman Circus (a scheduled monument).</p> <p>Excavations revealed two distinct Roman cemetery areas. The first was centred on Area H1 on the northern edge of the site, and the second on Area H2 to the southwest. In total 224 Roman burials were excavated along with 66 pits containing pyre debris, five disturbed burial features and 26 possible burial features.</p> <p><i>Cemetery Area H1</i> – A total of 85 burials were excavated, divided into 67 inhumation burials, 16 urned cremation burials and two unurned cremation burials. Other burial features included two burial pits containing pyre debris and nine possible burial features. Dating from the 2nd to the late 3rd/4th century, at least five distinct burial plots were visible, defined by an east-west boundary ditch, three irregular north-south boundaries and a square-ditched enclosure. Virtually all of the inhumations were aligned on these boundaries. There were three phases of burial, 1) east-west inhumations, 2) north-south inhumations, 3) cremations. The cemetery contained the remains of a mausoleum with single inhumation buried beneath. Two ring-</p>	

ditches were associated with possible barrow burials. On the southern edge of the cemetery was a smaller, outlying burial plot.

Human bone had only survived in 31% of the burials with adults and children represented at a ratio of 3:1. *Inhumations*: 46% were buried in coffins and 42% contained burial goods, including a child buried with jet medusa pendant and copper-alloy armlets, and another inhumation containing a wide variety of ironwork and other metal and non-metal items. *Cremations*: All of the 16 urned cremations were buried in jars, only five contained burial goods.

Cemetery Area H2 – A total of 139 burials were excavated, divided into 97 inhumation burials, 29 urned cremation burials, 10 unurned cremation burials and three pyres/bustums. Other burial features included 64 pits containing pyre debris, five disturbed cremations/pits containing pyre debris, and seventeen possible burial features. This is a continuation of the cemetery area identified during excavations on Area J1 North of the Colchester Garrison Alienated Land (CAT Report 412), which was bounded to the south by a Roman road. The cemetery appears to have been in fairly constant use from the mid 1st to the 3rd century, with only two burials (in J1 North) dating to the 4th century. Possible burial plots were identified on J1 North, but a single square-ditched enclosure was the only sub-division apparent on H2. Ring-ditches associated with two possible barrow burials were also identified.

Human bone had only survived in 40% of the burials with adults and children represented at a ratio of 2.6:1. *Inhumations*: 27% were buried in coffins and 27% contained burial goods. *Cremations*: Twenty-three of the 29 urned cremations were buried in jars with those remaining buried in bowls. Only thirteen contained burial goods. *Busta/Pyre sites*: A single bustum burial and two pyre sites from H2, in addition to those excavated on J1 North, brings the total for the cemetery area to eleven busta and seven pyre sites. They date from the mid 1st to the 2nd century.

Previous summaries/reports: CAT Report 206 & 413

CBC monitor: Martin Winter, Jess Tipper

Keywords: Roman cemetery, cremation, urned cremation, unurned cremation, inhumation, pyre, busta/bustum, pyre debris, mausoleum, barrow burial, burial plots, burial markers, coffins, burial goods, urns

Significance: ***

Author of summary:
Laura Pooley

Date of summary:
November 2017



**WRITTEN SCHEME OF INVESTIGATION
(WSI) FOR STAGE 2 ARCHAEOLOGICAL
EXCAVATION AND STAGE 3 WATCHING
BRIEF ON AREA H, COLCHESTER
GARRISON**

**December 2007, Revised June 2008 &
March 2011**

March 2011

Our Ref: JLH0150 RO13 V3

RPS
1st Floor West
Cottons Centre
Cottons Lane
London
SE1 2QG

Tel: 020 7939 8000
Fax: 020 7939 8098/99
Email: rpslp@rpsgroup.com

CONTENTS

1	INTRODUCTION.....	1
2	ARCHAEOLOGICAL & HISTORICAL BACKGROUND	3
3	WIDER ARCHAEOLOGICAL BACKGROUND	10
4	STRATEGY & AIMS.....	11
5	METHOD STATEMENT	14
6	PUBLIC ARCHAEOLOGY	20
7	HEALTH & SAFETY.....	21
8	FINDS	22
9	REPORTING.....	24
10	ARCHIVE & FINDS DEPOSITION.....	27
11	STAFFING & TIMETABLE	29
12	MONITORING.....	30
13	REFERENCES.....	31

Appendix 1: Team Structure

Figure 1: Site Location

Figure 2: Proposed Areas of Excavation showing Evaluation Trenches and Archaeological Context.

Figure 3: Archaeological Zones and Excavation Areas 1 and 2 Overlaid on Development Plan

Figure 4: Scheduled Monuments Implications Plan (after KLH Architects)

1 INTRODUCTION

- 1.1 This Written Scheme of Investigation (WSI) is for a 'Stage 2' archaeological excavation and Stage 3 watching briefs on Area H of Taylor Wimpey's Colchester Alienated Land development, Colchester Garrison. The overall extent of Area H comprises the area of the existing car park accessed via Butt Road, an area of unused hardstanding to the immediate south-east whilst the MoD's Sergeants Mess and Education Centre (and their gardens) plus a section of Le Cateau Road occupying the south east area of H. The broad archaeological requirements for archaeological investigation of this land parcel were included in a 2002 strategy document for the overall development (*Colchester Garrison Alienated Land Outline Archaeological Project Strategy Proposal and Quality Plan*. RPS March 2002). This document enshrines detailed proposals for the works as required and agreed by Colchester Borough Council Colchester.
- 1.2 A large portion of this southern area lies within the recently designated created Scheduled Ancient Monument for the Colchester Roman Circus (SAM no. 35614). The archaeological context of the circus remains within the Sergeants Mess and Education Centre are already reasonably well informed by trial trenches dug within their respective gardens in 2005 for a Time Team television programme and by an additional excavation within the Sergeants Mess garden in 2007 by CAT. These identified the western end of a Roman circus structure including the starting gates. However, the surviving circus related archaeology within south-eastern end of Area H will be almost entirely unaffected since both the Sergeants Mess and the Education Centre will be refurbished with no addition structures to be constructed.
- 1.3 Potential minor impacts to the starting gates, cavea walls and interior racetrack have been carefully considered within an RPS update to the Environmental Statement for the wider PFI Colchester Garrison redevelopment (RPS, 2008; *Impact Assessment for Colchester Roman Circus – Addendum to Chapter 15 (Cultural Heritage) of the MoD Colchester Garrison PFI: Composite Environmental Statement (Atkins, 2002)*). The precise nature of the very minor groundworks to be undertaken and the associated precautionary watching brief procedures are further consolidated in section 5 below. These are to be read in conjunction with the existing Scheduled Monument Consent application completed by KLH Architects and consented by DCMS and English Heritage 4th July 2008 (Ref HSD 9/2/10375). The SMC sets out the parties who should undertake and publish these works in accordance with the wider remit of the Colchester Garrison archaeology project.
- 1.4 The main area of required archaeological works comprises excavation and watching briefs in the area of the current car park and adjacent unused hardstanding where intrusive works in the form of residential development and new car parking are proposed. Figures 1 and 2 show the context of Area H and previous trial trenching, Figure 3 shows the excavation mitigation proposals for two areas of preconstruction excavation (Areas 1 and 2) overlaid on the proposed development and Figure 4 shows the measures associated with minor works within the Roman circus SAM.

- 1.5 Trial trenching has been previously undertaken on behalf of RMPA Services in advance of outline planning permission in 2002 (Stage 1a) within the potentially impacted north western end of Area H and in more detail in January 2007 (Stage 1b) for Taylor Wimpey in support of full planning. These together accounted for the full 3% sample required by CBC. The Colchester Borough Council Archaeological Officer (CBCAO) requires this Written Scheme of Investigation (WSI) for an archaeological excavation of Roman burials where they coincide with built development proposals in the northern area and watching brief for all other areas of ground works that may expose archaeological remains in less sensitive areas. English Heritage require precautionary watching brief works within the area of the circus SAM for compliance with Scheduled Monument Consent. The WSI is prepared by RPS in association with CAT and will be adhered to by CAT.
- 1.6 An overall Archaeological Strategy has been provided for the Alienated Land project by RPS for Taylor Wimpey (RPS 2004). The strategy provides an outline framework for the mitigation of the archaeological impacts at the Alienated Land. Specific archaeological proposals (Written Schemes of Investigation) at each of the separate development areas identified for further archaeological investigation will be submitted to CBC for approval, as detailed development designs become available or when land phases are made available. The framework identifies where the requirement for further archaeological works can be scoped out following the Stage 1 evaluations and suggests appropriate levels of Stage 2 excavation and Stage 3 watching briefs in accordance with defined research priorities.
- 1.7 This document is specifically designed to provide a sound basis for excavation and post excavation practice for the completion of the mitigation. The WSI sets out proposals for the archaeological work including treatment of finds, production of a report, and deposition of the archive. The WSI mirrors standards and practices contained in Guidelines on Standards and Practices for Archaeological Fieldwork in the Borough of Colchester (Colchester Borough Council's 1996. revised 1999).

2 ARCHAEOLOGICAL & HISTORICAL BACKGROUND

- 2.1 Drift geology of the area is predominantly sands and gravel. This is occasionally in a clay matrix, and is sometimes capped by cover loam. The site is flat.
- 2.2 Map evidence suggests that this area was farmland in 17th century apart from the remains of the medieval St John's Abbey within its partially extant precinct wall (located partially within the Flagstaff compound). In terms of the antiquity of the road grid it is likely that Mersea Road was the Roman road leading to the south-east gate of the town, whilst Napier Road (like Flagstaff Road) may be loosely in the position of a medieval route along the southern side of the medieval abbey precinct wall (Fig. 3). Flagstaff House occupies the land along the north side of Napier Road. The two roads flank the north-western and western sides of Abbey Field which has traditionally been used for army training. Area H is located within the former area of Le Cateau Barracks (formerly Royal Artillery Barracks in 1893). The Barracks was built in the early 1860's. The OS 1st Edition 1:10,560 map of 1874-1876 shows Area H as an open parade ground flanked by stable blocks to the South west (within Area J1) and by barrack blocks to the north-east. The Sergeants Mess, still standing within the southern Area of H, is also shown although the Education Centre was not built until the 20th century. Abbey Field to the south-east was a the drill ground of the army.
- 2.3 Prior to the stage 1a evaluation of 2002 there were two archaeological find spots within Area H noted on the historic environment record held by the Colchester Museums Service of Colchester Borough Council (HER 1022/23). These were Roman pots of probable cremation burials of Roman date (CAT 2000, Map 4). However, despite the general lack of information the archaeological context of the area is now relatively well understood following a series of evaluations and excavations conducted in adjacent areas since 2000.
- 2.4 The earliest activity in the vicinity of Area H is dated to the c.2500-2000BC in the form of Late Neolithic pits associated with settlement found in 2004 in Taylor Wimpey Development Areas C1 and C2, west and south of Flagstaff House respectively, but it is unlikely that further features of this date will be encountered in Area H. There is also some evidence for later prehistoric activity within the area: Middle Bronze Age vessels, probably burial urns, were found on the north western boundary of redevelopment area J1 in 1908 (UAD event no 1247). Notably a late Bronze Age pit was excavated beneath Flagstaff Road during the installation of the storm-water drain by Anderson Group in January 2006 whilst several late Bronze Age settlement related features were excavated in 2005 during the archaeological excavations for Taylor Wimpey at the northern extent of Area J1 (excavation area J1 North). As Area H borders Area J1, there is the potential for these late Bronze Age features to extend into the present evaluation area. No clear traces of the Late Iron Age 'oppidum' landscape (Catuvellaunian Royal estate of Camulodunum) have been identified within the close proximity oh Area H although a settlement site with Late Iron Age origins has been recently excavated as part of teh wider project within former Goojerat Barracks (Area L/N).

- 2.5 The major period of importance of the Area H area is its use in the Roman period. Most importantly a stone built monumental Roman circus, currently unique to Britain has been discovered during excavations in Alienated Land Areas C1, C2 and J1 and by investigations in support of a 2005 Time Team special television programme within the gardens of the Sergeants Mess and the Education Centre at the south-eastern extent of Area H. The Time Team trenches and an important secondary open area investigation by CAT in 2007 in the Sergeants Mess garden have located the probable starting gates that would have been located at the western end of the circus (i.e. within the southern area of Area H in an area that is not subject to built development proposals). In addition the northern side of the circus was identified by a Time Team trench within the grassed garden of the MoD's Education Centre. The preliminary interpretation of these findings has been published in *The Colchester Archaeologist* ('Circus Update' Issue no.20, 2007, p2-13).
- 2.6 Further elements of the circus include a monument base on the central barrier and the curved eastern end the circus, both uncovered during service works at Napier Road in 2006. As a result of these works the plan of the circus is now reasonably well understood. The east-west orientated circus is approximately 450m in length and 70m wide and was used for chariot racing.
- 2.7 The other major aspect of Roman archaeology to the south of the Roman town (and modern town centre) are parts of Colchester's Roman cemeteries. Before the Alienated Land investigations there were several indications of the presence of burial grounds. There was a clear grouping of observations from the northern corner of urban Village Area J1, close to the entrance of Le Cateau Barracks (UAD ref nos 1022-3, 1095). These appear to be on the southern fringe of a wide area of burials focused on the partially explored Butt Road cemetery (Crummy 1993, 4-202). Other informative excavations of Roman cemeteries in Colchester to date have been at Butt Road (CAR 9), Abbey Field (CAT Rep 1), Turner Rise (a CAT unpublished report by D Shimmin), and Handford House (report in prep). Roman Colchester is particularly significant for the study of cemeteries and funerary practice in Britain, because the town started off as a coming together of two different populations, ie the indigenous, largely Romanised British community and an immigrant 'Roman' one, each of which had their own beliefs and funerary practices.
- 2.8 At least 28 Roman burials were found during construction of the athletics ground and sports pitches to the immediate east of Circular Road North in 1925 (Hull no 200 – UAD event no 1099 TL 9940 2430). Trial trenching and excavation in the same general area for the all weather hockey pitch by CAT in 2000 recovered 73 more cremations, some only 300mm below existing ground (CAT Report 97 Oct 2000, no 4 – TL 9954 2441). Further concentrations of Roman burials (a mixture of inhumations and cremations) have been excavated in 2004 and 2005 in Urban Village area J1 North (360 burials) and C2 (66 burials). The J1 north excavation lies directly to the south east of the north-western extent of Area H where the recent trenching was focussed, confirming that the cemetery area just extends into the current [development area](#).

a) Results of the 2007 Trial Trenching on Area H

- 2.9 The second phase of trial trenching on Area H (i.e. Stage 1b) took place between 29th January and 5th February 2007 (CAT Report 413; March 2007). This section gives an archaeological summary of each trench with context and finds dating information. The trench numbers for the 2007 evaluation work follow the sequencing used in 2002 evaluation of Area H (CAT Report 206).
- 2.10 Trench 4 (Fig. 2): This trench was excavated in the area of waste ground rear of the former Garrison Sergeants Mess. The asphalt car park surface sealed hogging and hardcore crush (base for the car park surface). These sealed a remnant modern topsoil (predating the car park), which sealed a buried topsoil dated to the post-medieval period by the presence of peg tile and which sealed the archaeological features. This stratigraphical sequence was repeated in all trenches cut through the car park surface (ie T4, T5, T7, T8, T10). A single feature was identified on T4 - a quarry pit (F39), which occupied the entire evaluation trench. The quarry contained brick and coal fragments (not recovered), and is consequently dated to the post-medieval period. The quarry pit was over 0.55m deep (not bottomed).
- 2.11 Trench 5 (Fig 2): As with T4, this trench was excavated in the area of waste ground rear of the former Garrison Sergeants Mess. The trench continued four features. The only one of archaeological significance was a north-east/south-west aligned Roman ditch (F38), which contained Roman brick and septaria. The ditch was a metre wide and was traced for 6m within the trench. The others were an east-west modern ditch (F35), a natural linear feature (F37), and a pit (F36). F38 had concentrations of charcoal on its eastern edge and contained a mid 2nd-mid 3rd century Roman sherd and a mid 3rd century radiate antoninianus of ?Gallienus (253-68) or Claudius II (268-70). It may be related to F8 in trench 8 possibly forming plot divisions, with the Trench 8 ditch bordering a burial area to the north and this T5 ditch potentially bordering the circus area located to the east. Modern ditch (F35) was filled with redeposited natural sand and gravel. Finds consisted of modern pottery, tile and coal fragments (not retained) and residual Roman brick.
- 2.12 Trench 6 (Figs 2): Trench 6 was located in a grassed area on the Butt Road side of the evaluation area. T6 contained four features: two natural features (F20 and F22), a single Roman un-urned cremation burial (F21), and modern building footings (F19). Un-urned cremation burial (F21) contained cremated bone and pot sherds in the upper fill. The feature was unexcavated and left in situ. The remaining archaeological feature consisted of modern, poured concrete building footing F19, part of a now-demolished building associated with the Artillery Barracks.
- 2.13 Trench 7 (Fig 2) Trench 7 was located in the southern edge of the evaluation area and contained eight archaeological features, five of which were burials (one cremation (F23), four inhumation burials (F24-F27). The remaining features were quarry pits (F28-29, F40). None of the burials were fully excavated (they would need to be dealt with in a later excavation phase, if impacted). The

cremation burial contained a single cremation pot. The inhumation burials were initially identified by the shape of their cuts (confirmed by the presence of coffin nails). At the level to which they were explored in this evaluation, only one inhumation burial (F25) had visible human bones - a skull and fragments of long bones (femur?).

- 2.14 The cremation burial (F23) contained Roman sherds dated 1st-2nd/3rd century and 1st-early 2nd century, and cremated human bone. Inhumation burial F24 contained medieval sherds which are regarded as intrusive. Other finds in F24 were 1st-2nd/3rd century sherds, and cremated human bone. Inhumation burial F25 contained 1st-2nd/early 3rd century and 1st-early 2nd century sherds, and cremated human bone. Inhumation burial F26 contained a number of groups of Roman sherds which represent complete or partial vessels. These were from three scorched or burnt pots, two of which date to the 2nd century and a third to the Roman period. This feature also contained cremated human bone. Inhumation burial F27 contained Roman sherds.
- 2.15 The remaining three features within T7 consisted of quarry pits (F28-29, F40). These were sectioned but not fully excavated due to depth constraints. They are similar to those noted in area J north and in evaluation trench 4 (CAT Report 361). There were finds of Roman pottery, brick and tile and human bone in these pits and it is considered probable that they represent further Roman roadside quarries within which multiple Roman burials have been found within Area J1, to the immediate south. Indeed one of the Roman quarries (re-used for burial) found adjacent in J1 appears to continue into Area H Trench 7 as F29. The quarries appear to have been intended to supply gravel for the metalling of the adjacent Roman road, whose line they follow, although another possibility is that they were also used to supply sand for mortar used for the construction of the also adjacent monumental Roman circus.
- 2.16 Trench 8 (Figs 2): Trench 8 was located in the northern edge of the evaluation area and contained ten archaeological features, eight of which were inhumation burials (F9, F11-F18). One of the remaining features was a Roman ditch (F8), which may be associated with the Roman burials (it contained a late 2nd-mid 3rd century Roman sherd). The other feature was a modern service trench (F10) which contained brick and asphalt (not retained). None of the burials were fully excavated (they will require full excavation within the mitigation area which forms part of the scope of this WSI since this area would be impacted by residential development). The burials were identified by the shape of their cuts and also by the presence of coffin nails. Two of the inhumation burials contained grave goods: F15 contained a intact 2nd – 3rd century folded beaker (this was not lifted from the site); F13 contained hobnails representing the soles of a pair of shoes.
- 2.17 Inhumation burial F9 contained a residual ?LBA sherd and Roman 1st-2nd/3rd century sherd. Inhumation burial F11 contained Roman brick and Roman sherds. Inhumation burial F12 contained a residual ?LBA sherd, and 1st-2nd/3rd century Roman sherds. Inhumation burial F14 contained a fragment of a copper-alloy ring probably from a 1st- to early 2nd-century casket, and

Roman brick/tile fragments. Inhumation burial F15 contained Roman tile, and Roman sherds including a 3rd -century indented beaker. Inhumation burial F17 contained a residual prehistoric flint flake, Roman sherds, and a septaria lump. Inhumation burial F18 contained Roman and 1st-2nd/3rd century sherds. Layer 5 contained 1st-2nd/early 3rd century Roman sherds. It is considered probable that the east-west orientated ditch F8 formed a southern boundary of the burials located within Trench 8 since no burials have been found within the five trenches to the south of the boundary (2002 and 2007 trenches).

- 2.18 Trench 9 (Figs 2): Trench 9 was located in a grassed area on the Butt Road side of the evaluation area and contained five features: a north-south aligned post-medieval ditch (F30), a set of modern, poured concrete foundations (F31), two east-west aligned Roman ditches (F32, F33), and a modern pit (F35). The two Roman ditches may be associated with the Roman cemetery area possibly located to the north (since no burials were located within this trench, within Trench 10 or the 2002 trench to the south). F32 contained residual LBA sherds, burnt flint (presumably residual prehistoric), ?1st-2nd century and 1st-2nd/3rd century Roman sherds, Roman brick and tile, tufa, septaria, and two hobnails (presumably displaced from a Roman burial, and Roman tile. F33 contained residual LBA sherds, and 1st-2nd/3rd century and early/mid 2nd-late 3rd/early 4th century Roman sherds.
- 2.19 Trench 10 (Figs 2): Trench 10 was located in a hardstanding in the centre of the evaluation area and contained eight undated features: five post holes (F1-F4, F16); a small pit F7, and two small gullies (F6, F7). None of these features contained finds, but their general characteristics and fills would suggest a Roman (rather than post-medieval or modern) date. The following conclusions were drawn from the trails trenching:
- 2.20 **Prehistoric:** No prehistoric features were identified in this evaluation, but the presence of eight sherds of prehistoric (probably Late Bronze Age) pottery in residual contexts in T8 and T9 (on the northern side of the evaluation area) demonstrates prehistoric activity of some type on this site. The discovery of prehistoric sherds is interesting in the context of other local discoveries of material in this area. Perhaps surprisingly, there was no prehistoric material from the extensive excavation of the Roman cemetery at Butt Road, which is only 200m to the north. However, LBA sherds and settlement related features were found in evaluation areas J1, to the south of the current site (CAT Report 361). This would indicate that prehistoric settlement favoured the slightly higher ground (above the 30m contour) to the south of the valley now followed by 'Southway'.
- 2.21 **Roman:** Two local Roman cemeteries provide the main archaeological context for the Area H evaluation. The first is the Butt Road Roman cemetery excavated in the 1970s and 1980s (CAR 9). This lies only 150m north of Area H. Second, the Roman cemetery excavated in Garrison Area J1 North in 2004. This lies immediately south of Area H (CAT Report 361). In period 1 phase 2 of the Butt Road cemetery (?3rd century to c 300/320: CAR 9, 4) the site was parcelled up into plots by

ditches, and a few cremations and uncoffined inhumations followed. Later, in Period 1 phase 3 (c 270 – 330, *ibid*), a more formally-arranged pagan inhumation cemetery with north-south aligned inhumations was laid out across the site. In Period 3 (c 330 – 400+), the alignment of graves switched to east-west, at a time thought to coincide with the official coming of Christianity to Britain.

- 2.22 The excavation of Area J1 North revealed a large number of Roman burials – 352 in the excavation and 4 in the evaluation, breaking down into 207 inhumation burials, seventy urned cremation burials, twenty un-urned cremation burials, thirty-seven burial pits containing pyre debris, thirteen pyres/busta, and five pot scatters (possibly from disturbed burials). The burials were bounded to the south/south-west by a Roman road (whose alignment the burial ground appears to follow). The extent of the burial area to the north and east of the site was not found.
- 2.23 Unlike Butt Road (above) no distinct burial plots were identified. There were five shallow Roman gullies, most of them cut by burials, but it was difficult to ascertain whether they represented the boundaries to burial plots or some other form of activity. Nevertheless, it remains a possibility that these were originally plot boundaries which became redundant when (or because) they were cut by later burials.
- 2.24 These Area J1 North burials dated from the 1st/2nd to the mid/late 3rd century (mostly 1st to 2nd century). Unlike the Area C2 burials and the Butt Road burials, none dated to the 4th century. Like Area C2, there appears to be no distinct date range for the use of the inhumation or cremation burial rites on the site (ie cremations are usually early Roman and inhumations usually later but this is not the case in C2 and J1 where cremations and inhumations follow no such pattern and are mixed together throughout). However, a more detailed analysis of the dating and stratigraphic relationships of the burials may shed more light on this.
- 2.25 The issue of how the Area H evaluation ties in with the evidence from Butt Road and Area J1 North requires careful consideration. Clearly, this relationship is a complex one. However, a few initial thoughts can be offered here. Superficially, the boundary ditches in T8 and T9 on the north edge of Area H may be seen to be in the tradition of the Butt Road cemetery plot boundaries. In this sense the ditch in Trench 8 may demark the southern extent of a plot as no burials were found in the adjacent trenches to the south (in the central area of Area H). These plots at Butt Road were initially occupied by a few cremations and un-coffined inhumations. In its later phases, Butt Road contained inhumations of the late third/early fourth and fourth century. It would be tempting to see the inhumations in T8 in the same way, as an extension southwards of the Butt Road cemetery. However the pottery dating doesn't quite work because it indicates an earlier date for the T8 inhumations (2nd or 3rd century) than those at Butt Road.
- 2.26 The four inhumations in T7 are also earlier than the Butt Road examples. These burials and the cremation from Trench 6 are clearly part of the J1 North burial area that appears to extend

approximately 40m out (to the NE) from the edge of the road within Area J1, whose line they follow. This apparent cemetery edge (see Fig 2) appears to be defined by the lack of burials within the three trenches dug in 2002 and within trenches 4,5,9 and 10 of this evaluation. The combined 2002 and 2007 evaluations have therefore identified what appear to be two separate cemetery areas. As indicated, it is considered unlikely that the burials in Trench 8 are part of the Butt Road cemetery and thus form a separate, earlier plot extending north of Area H.

- 2.27 One aspect which will need to be explored is the residuality of the pots in the inhumations. As Stephen Benfield points out (above) some of these pots look like they have been displaced from earlier burials. An explanation for this could be that pots from an earlier cremation phase have been displaced and then reburied in the fills of later inhumations. In their general dating of all the Area H burials seem closer to the Area J1 North burials, and may be part of the same cemetery tradition.
- 2.28 As indicated, the centre of the evaluation site failed to reveal any burials, so it would seem that there is an empty plot here, with burials to either side (north and south). It should be noted that the identified burials were not fully excavated in this evaluation, and some categories of normal grave finds are missing for that reason (particularly glassware and bone pins). However, the copper-alloy ring (from T8) probably from a 1st or early 2nd century casket which has been placed in a burial gives an indication of the type of grave goods which may be revealed by full excavation. The other major category of Roman feature were the quarry pits within Trench 7, which are themselves likely to contain Roman burials.
- 2.29 There were no significant features or finds of post-Roman date.

b) The Excavation of the Starting Gates by CAT

- 2.30 A small open area research investigation was conducted by CAT with the permission of Taylor Wimpey within the grassed garden of the Sergeants Mess in 2007. This exposed parts of the western end of the circus comprising the remains of two complete stalls, part of a third and one side of the central entrance through the circus (above which the magistrate's box would have been built). Since the central entrances are flanked by equal numbers of stalls in preserved examples elsewhere, it is concluded that there was enough space for eight stalls at this circus (rather than the twelve found on other circus structures). This helps explain why this circus was relatively narrow at c.70m. The archaeological features were found beneath topsoil and cut into the subsoil at least 300mm below current ground level.

3 WIDER ARCHAEOLOGICAL BACKGROUND

- 3.1 The archaeological and historical setting of the Garrison redevelopment area has already been comprehensively explored in *An archaeological desk-based assessment of the Colchester Garrison PFI site* (CAT Report 97, by Kate Orr, 2000), and will only be summarised here.
- 3.2 The proposed site (like much of the land south and south-west of Colchester's modern town centre) falls within the area of the pre-Roman oppidum of Camulodunum. The only above-ground traces of this oppidum are the linear banks and ditches of the defensive dyke system that surrounded it. The Garrison area occupies the eastern edge of the oppidum, and one of the defensive dykes (the Berechurch Dyke) crosses the extreme south-eastern edge of the Garrison (on the east edge of Roman Barracks).
- 3.3 As presently understood, the oppidum had two main centres of activity: at modern Gosbecks Farm (2km south-west of the Garrison), which was a Late Iron Age (LIA) and Roman rural farmstead (and possibly the home of Cunobelin); and Sheepen (2km north-west of the Garrison), which was the industrial and trading centre. Apart from these two large centres (above), it is likely that there were a number of smaller domestic and farming sites in the oppidum. One of these was identified by the field boundaries paddocks and other features recorded at Kirkee & McMunn Barracks in 1994 (Shimmin 1998: figs 8, 11 here). A large area of cropmarks is recorded over the southern part of the Garrison area. Geophysical survey has confirmed and added to the pattern of linear cropmark features (CAT Report 184). The open area excavations conducted ahead of the construction phase for the New Garrison (CAT/RPS Report - The Colchester Garrison PFI project, Colchester Essex: a report on the 2003 excavation of Areas 2, 6 and 10 - August to November 2003 - CAT Report 292 July 2005) have established that they are latest Iron Age prehistoric/early-mid Romano-British in date. They represent the trackways, paddocks and field boundaries of a rural settlement of that period.
- 3.4 Significantly a new section of large dyke (some 9m wide and 2.7m deep) representing a previously unknown segment of the eastern defences is being excavated within Hyderabad Barracks (project Area A1). A 60m+ section of this dyke is aligned north-east-east/south-west-west towards the River Colne effectively creating a protected quayside area. The west end curves to the south on the precise alignment of the Berechurch Dyke whose previous northern extent was 1km to the south at the Borough Cemetery. The new find suggests that the Berechurch Dyke extends 1km further north than had been thought (underlying modern housing) between the cemetery and the south-east corner of the former Hyderabad Barracks at A1. A late Iron Age to earliest Roman settlement was probably located on the south side of this dyke (outside of the rampart) given occupation deposits and finds tipped into the dyke from the south side. Another LIA origin (in this case a farmstead) has now also been identified by the Alienated Land project at Goojerat Barracks (Area L/N – CAT forthcoming).

4 STRATEGY & AIMS

- 4.1 This method statement is in accordance with the research design developed in consultation with CBC (RPS 2004) and the strategy document (RPS 2004) and complies with the guidelines laid down in Planning Policy Guidance on Archaeology and Planning (PPG 16) and with the Institute of Field Archaeologist's Standards and Guidance for Archaeological Excavations (IFA 1997). CAT (the contractor) will liaise closely with RPS (the Archaeological Project Managers) and Taylor Wimpey (Project Managers) with respect to all important matters concerning the co-ordination and management of the project. CBC and English Heritage (for the SAM) will be kept fully informed of all archaeological developments. All archaeological excavation areas will be monitored and 'signed off' by the Archaeological Project Managers, and the CBC monitors prior to any further construction works by the contractor.
- 4.2 The general aim of the excavation and watching brief is to recover sufficient evidence to detail the nature, date, function and importance of the archaeological features within the effected area. The overarching research themes, as stated in the research design are to:
- Inform how the landscape was used and to what level of intensification, prior to the construction of camulodunum (are there further indications of late Neolithic and bronze age settlement?),
 - To elucidate the nature of spatial organisation within the oppidum and
 - To address the question of the effect of the establishment of the roman town on the agricultural hinterland.
 - Elucidate the relative density of Roman burials across the northern zone of Colchester garrison.
- 4.3 Specific Aims: There are two areas of burials that would be impacted by the works. The first is the former line of Le Cataeu Road from the car park access onto Butt Road where the new construction of the road to 600mm depth is required (Area 1). The numbers of burials that may be present is difficult to estimate accurately as very dense clusters can occur and have occurred immediately to the south. A rough estimate of between 40 and 100 burials may be applicable. The aim of the Area 1 Le Cataeu Road excavation is to identify and excavate any burials extending north from the immediately adjacent dense burial ground in Area J1 that might be impacted by the construction of the new access. . The second area has is located in the proposed housing area on the north side of the site centred on evaluation trench 8 (Area 2). The aim of the Area 2 (northern) excavation is to establish whether the inhumation cemetery located by T8 represents the southern extent of the Butt Road cemetery or whether this is a separate burial plot. The relationship of this burial plot with the J1 cemetery will also form a key component of the investigation as will the potential associations with the circus and particular social and/or ethnic groupings. Again it is

difficult to predict possible burial numbers and in this case an estimate is not attempted. In addition the results of previous excavations in this area in conjunction with similar work elsewhere in England, especially the southeast, enable the following issues in relation to the cemeteries to be identified as research priorities for the Alienated Land:

- To excavate, record and remove any human burials legally;
- To establish the origin and development of cemeteries and cemetery areas especially in relation to roads, fields and other parcels of land;
- To establish the location and nature of cemetery boundaries;
- To establish the relationship of cemeteries to non-funerary activities such as industrial production (e.g. tile-kilns such as that found on the site of the NAAFI Club) and settlement (as seen in Area E to the east of Abbey Field);
- To establish the date and nature of the transition from the rite of cremation to that of inhumation;
- To establish the relationship between burials of different periods: ie whether it is possible to identify the existence of long-term burial traditions, including through the cremation/inhumation interface;
- To establish relationships between the movement, expansion and contraction of cemeteries and the topography of contemporary settlement in the Roman town;
- To establish the extent to which different populations and social groupings within them can be distinguished through their funerary remains;
- To characterize the population of Colchester and social groupings within it through the study of human remains;
- To establish the meaning of grave goods as expressions of religious beliefs and superstition;
- To establish the relationship with buildings (notably the Roman circus), tombs and other structures (funerary and otherwise) within cemetery areas;
- Improve the understanding of burial ritual, specifically the nature and location of cremation pyres or bostems;
- And to provide watching brief assurance that the fabric of the circus is not damaged by the limited extent works within the circus SAM.

a) Strategy

- 4.4 The precise boundaries of the Area 1 (Le Cataeu Road) excavation area will depend on detailed setting out of the area of road works to be constructed to a depth of 600mm by Andersons but would be approximately as shown on Figs 2 and 3. The proposed Area 2 excavation covers an area of 855m² and has been established with the following criteria. The key variables are location of significant remains and extent of potential development impact. The 2007 evaluation established that T8 on the northern edge of the site and T7 on the southern side contained Roman burials but that the area between appears to be largely devoid of significant remains. The proposed upgrading of the car park at the western end of the site (see Fig 3.) has potential to encounter Roman burials below c.400-450mm. It is therefore proposed that the construction is kept within the upper 300mm to avoid impacts. The CBC archaeological officer has, as a consequence of this assurance, suggested watching brief in this western zone be confined to drainage/service runs through the new car park.
- 4.5 For the proposed area of new built development, the sole area with overlap between significant archaeology and impacts via foundations etc, lies within a triangular area of 855m² centred on T8 (Figs 2 and 3). This area requires full excavation. It is anticipated, based on the density of burials within T8, that there may be approximately 57 inhumations in this site. The ditch within T8, that may bound this cemetery plot, lies within the excavation area, with the area to the south of that ditch included to provide context to the burial plot and in case burials are located on both sides of the ditch (ie if the ditch is unrelated to the cemetery plot). The southern edge of the excavation does not, however, extend as far south as evaluation trench T10 or T5, as the southern edge of the cemetery appears not to extend that far south (no burials were found in those trenches). There is a contingency for limited extension of the excavation area should the cemetery extend south.
- 4.6 The CBC officer has indicated that any services that might impact burials associated with the J1 cemetery (confirmed to extend into Area H by T7) will also require stage 3 watching brief. In addition all foundations and services for the residential development (west of the Sergeants Mess) are subject to a catch all watching brief that will act as a safety net in case significant features are impacted within the apparently less sensitive areas of the site. For all services in the 'areas of higher archaeological potential' (see figures 2 and 3) the archaeologists will control trench machining and will be provided opportunity to excavate any archaeology on the line of these trenches prior to further reduction for construction/pipe laying purposes.
- 4.7 The main aim of the watching brief on the Circus site is to ensure that minimal dig excavations remain above the archaeological strata.

5 METHOD STATEMENT

a) Construction Protocols for the SAM

5.1 The potential impacts to the starting gates, cavea walls and interior racetrack have are shown on an 'Ancient Monuments Implications Plan' provided by KLH in consultation with English Heritage and RPS. This is provided as Figure 4 and shows the intention of providing a demarcation of the footings of the circus starting gates within the Sergeants Mess garden foundations and other minor construction works with associated archaeological mitigation principles. The following protocols are set out:

- The positions of the starting gates circus walls will be demarked but with footings to no more than a 200mm depth (final height of representations, construction details and materials to be confirmed following further discussion with CBC and English Heritage)
- The existing iron railings around the Sergeants Mess garden are to be retained
- The existing Le Cateau Road and arced road around the Sergeants Mess garden are to be dressed/resurfaced and retained as a cycleway/footpath with no sub base work and therefore no archaeological impact
- Frontage railings for the Sergeants Mess (that partly encroach within the 10m exclusion zone within the circus SAM) will not extend deeper than 200mm and will not impact circus remains – but a precautionary watching brief by CAT is required.
- New free draining paving in front of the Sergeants Mess to be constructed within 200mm depth and to be supervised by CAT
- The existing road in front of the Sergeants Mess to be top dressed/resurfaced and retained as a cycleway/footpath with no sub base work and therefore no archaeological impact
- New foul water drain around the edge of the Education Centre to be excavated within an existing trench line with supervision by CAT as a precaution (line intersects the outer cavea wall alignment at one point)
- New hard surface around the edge of the Education Centre to be free draining and constructed within 200mm depth - to be supervised by CAT
- Surface water drains will be retained in front of the Education Centre with any necessary repairs to be supervised by CAT
- A series of 100mm thick oak bollards will be constructed in front of the Education Centre to no deeper than 200mm but to be supervised by CAT as a precaution

- Hard landscaped surfaces are to be carefully removed (to be re-turfed) along the edges of Le Cateau Road and an area to the east of the road under CAT supervision
- The existing camp sewer is to be retained

b) Excavation Protocols (Areas 1 and 2)

- 5.2 Machining protocols. The machining will be conducted by the archaeological contractor, Colchester Archaeological Trust. An archaeologist will observe the machining and advise when a toothless bucket should be used and at which point the appropriate level has been reached. Significant archaeological deposits will not be removed by machine unless sanctioned by the CBC Archaeological Officer. In circumstances where vertical stratigraphy is found or where archaeology is vulnerable the machining will be monitored by a senior member of staff. Care will be taken to ensure that machines used do not rut, compact or otherwise damage buried or exposed archaeological features and deposits ahead of recording. No potentially significant archaeological deposits will be removed prior to recording and sampling (if necessary) to provide an adequate understanding of their character.
- 5.3 Surveying. Following the overburden stripping temporary bench marks will be surveyed with respect to an Ordnance Survey datum and all features and deposits will be recorded relative to their OD height. The TBM's will be shown on the site location plans.
- 5.4 The exposed surface of the natural will be hand cleaned sufficiently to define any archaeological features present. This process will facilitate accurate planning and allow for metal detected finds to be correctly assigned following an initial scan of the site.
- 5.5 Complex areas (areas of intercutting features, surviving layers, where features are complex in form or where surface finds may be plotted) will be planned by hand, usually at a scale 1:20. These plans will be located via total station, scanned, vectorised and imported via CAT's CAD programme on the OS grid-based plan. Less complex areas of the site (where features are absent or rare and of simple form) will be planned using a total station with the data input directly onto CAD and the OS tiles. There will be no site grid on the ground. All site plans will show OS grid points and spot levels and will be fully indexed and related to adjacent plans. It is not anticipated that single context recording will be appropriate. However, should particularly complex sequences of deposits or features be encountered, then single context recording will be undertaken. A uniform site plan will be produced showing all site features.

c) Sampling Strategy

- 5.6 Archaeological excavation will be by hand and will respect the stratigraphy of archaeological layers, features, deposits and structures. Each context will be excavated in sequence. Occasionally further use of the mechanical excavator may be required. Such techniques are only

appropriate for the removal of homogenous low-grade deposits that may give a “window” into underlying levels. They will not be used on complex stratigraphy and the deposits to be removed must have been properly recorded first.

5.7 The following sampling strategy will be adopted to ascertain the nature, depth, date and state of preservation of archaeological features as well as the stratigraphical relationships of these deposits and features to one another.

- (i) Normally 50% of the fills of all pits and other discrete archaeological features will normally be excavated. However, in the event that complex areas of pitting are encountered a representative sample will be excavated (although all will be planned). Pits will be fully excavated if they are particularly rich in environmental or and/or artefactual evidence, should this contribute to the research aims. Tree throw holes will not normally be investigated.
- (ii) Up to 10% of the exposed lengths of ditches, will be excavated, although for deeper ditches a higher sample may be required in order to safely reach the base (ie stepped excavation). The segments will be placed to provide adequate coverage of the ditches and will include excavation of all terminals and intersections. A flexible approach will be adopted to the location of excavation samples such that areas of exposed ditch fill with higher artefact or ecofact content may be targeted. A lower excavation sample ratio of ditches will only be acceptable in the event that the research aims will not be further advanced. Any such reduction in sample ratio will be agreed with CBC and RPS.
- (iii) Up to 25% of ring gullies will include excavation of the terminals and sections at each side to the rear of the gully. Special regard will be given to significant stratigraphical relationships and concentrations of artefactual material.
- (iv) In the event that stone structures are encountered, these will be left in situ at evaluation stage. All stratigraphic associations will be recorded. Should floor levels (which are not anticipated) be encountered, these will be sampled and environmentally sampled.
- (v) 100% excavation of hearths, furnaces or kilns in all cases where these are identified. These are not anticipated but should these be encountered they will be fully excavated (and bulk sampled) to determine their function and any sequence of repairs or replacements.
- (vi) Animal and human burials, including cremations, will be excavated. Since human remains are anticipated a Department of Justice licence will be required. Inhumations and cremations will be excavated completely once approval has been given. The discovery of human remains will be reported to the local coroner. Other structured or placed deposits will be recorded and retained as “small finds”.

- (vii) Metal detectors will be used to scan for metallic finds on spoil heaps, vacated areas, areas of modern disturbance and during the excavation of key archaeological features or deposits.

d) Recording

5.8 The following procedures will always be initiated:

- (i) All features will be planned either by means of a total station or hand drawn plans where appropriate.
- (ii) Sections: all sectioned and excavated archaeological features will be drawn at a scale of 1:20 or 1:10, or at a smaller scale (if appropriate). All sections will be levelled to ordnance datum.
- (iii) All archaeological features, layers or deposits will be allocated unique context numbers prior to any hand excavation including contexts for which there is no archaeological interpretation or definition. All archaeological features, layers or deposits will be recorded on pro-forma context sheets detailing: character, contextual relationships, a detailed description, associated finds, interpretation and cross referencing to the drawn, photographic and finds records. On-site matrices will be compiled during the excavation such that the results of the written stratigraphical records may be fully analysed and phased.
- (iv) An adequate photographic record of the investigation will be made of all archaeological features and deposits. Standard record shots of contexts will be taken on a digital camera. The record will include working and promotional shots to illustrate more generally the nature of the archaeological operations. All photographic records will include information detailing: site code; date; context(s); section number; a north arrow and a scale. All photographs will be listed and indexed on context record sheets.
- (v) A record of the full extent in plan of all archaeological features, deposits or layers encountered will be produced. The detailed hand drawn plans will be related to the site, and O.S. national grid and be drawn at an appropriate scale, generally 1:20. Where necessary e.g. when recording an inhumation, additional plans at 1:10 scale, or where appropriate 1:20 will be drawn. The O.D. height of all principal strata and features will be calculated and indicated on the appropriate plans and sections.
- (vi) A record or index will be maintained of all site drawings and these will form part of the project archive. All site drawings will contain the following information: site name; site number and code; scale; plan or section number; orientation, date and compiler.

e) Treatment of Samples

5.9 Industrial residues will be recorded and sampled in accordance with the Society of Museum

Archaeologists (SMA, 1993) guidelines. The presence of such residues will always be recorded and quantified fully, even where comprehensive retention is considered to be inappropriate. Large technological residues will be collected by hand. Separate samples (c.10ml) will be collected where appropriate for identification of hammer scale and spherical droplets. The advice provided in the English Heritage/ Metallurgy Society document Archaeometallurgy in archaeological projects, will be referred to. Structural remains will be similarly recorded in accord with the SMA guidelines.

- 5.10 The environmental sampling policy is as follows. CAT is advised by Rachael Ballantyne (English Heritage Regional Advisor in Archaeological Science). In consultation with Val Fryer, CAT will bulk sample any potentially rich environmental layers or features in addition to all reliably dated deposits. These will be assessed by VF, and future sampling policy on other excavations areas will follow her advice. If any complex or outstanding deposits are encountered, then JM and/or VF will be asked onto site to advise. Pollen is not expected to survive within these soils, but should deep deposits with pollen preservation potential be encountered column samples will be retrieved for laboratory analysis. In addition to retrieving environmental evidence (above), bulk sampling will be used to collect charcoal for potential C14 dating.
- 5.11 The procedures set in a guide to sampling deposits for environmental analysis (Murphy and Wiltshire 1994) and Environmental Archaeology – A guide to the theory and practice of methods, from sampling and recovery to post-excavation (English Heritage Centre for Archaeology Guidelines 2002) will be consulted. The following procedures will be followed unless otherwise amended following consultations between RPS, the English Heritage Advisor in Archaeological Science, the bioarchaeologist and the Site Director:
- (i) 30 litre bulk samples (or 100% of smaller contexts) of anthropogenic concentrations will be taken and of selected deposits where remains are not visible (but may nevertheless occur). These shall include well sealed deposits, floors, hearths etc.
 - (ii) Monoliths for pollen analysis will be taken as appropriate to answer specific research questions.
 - (iv) 30 litre bulk samples will be taken (if possible) from a selected sample of closely dated pits. These deposits will be sampled regardless of whether or not there are visible macrofossils or molluscs.
 - (v) Whole fill samples from a selection of post-holes of definable structures will taken for assessment.
 - (vi) Cremations and other “special deposits” will be 100% sampled and sieved for the retrieval of remains.

- (vii) 100% recovery of animal bones will be undertaken from the soil samples. It is possible that 100 litre samples for bone may also be necessary in some circumstances.

f) General Methodology

- 5.12 All works will be undertaken by a team of professional archaeologists. The proposed team structure is given in the appendix (end of document).
- 5.13 All work will be according to CAT Policies and Procedures (2000), and will be informed by Management of Archaeological Projects (English Heritage 1991), and Guidelines on Standards and Practices for Archaeological Fieldwork in the Borough of Colchester (Colchester Borough Council 1996, revised 1999).
- 5.14 In the unlikely event that recent burials are encountered, then RPS and the Client will inform the Police and/or coroner.
- 5.15 All finds of potential treasure will be removed to a safe place, and the coroner informed immediately, in accordance with the rules of the Treasure Act 1996. The definition of treasure is given in pages 3-5 of the Code of Practice of the above act. This refers primarily to gold or silver objects. This procedure was required previously for silver items from both Area C2 and J1 East.
- 5.16 For purposes of deposition of the archive, a museum accession code will be obtained through Colchester Museum. This will be used this as the site code.
- 5.17 The Code of Conduct of the Institute of Field Archaeologists (IFA) will be followed.
- 5.18 Following completion of the manual excavation and recording the trenches will be backfilled flush with ground level. There are no proposals to reinstate the surfaces with simple backfilling of trenches the preferred method. However should part of the existing car park require reinstatement this will be conducted by Anderson on behalf of Taylor Wimpey.

6 PUBLIC ARCHAEOLOGY

- 6.1 Due to the sensitive nature of burials ground excavation public access will not normally be provided.

7 HEALTH & SAFETY

- 7.1 CAT will provide a Risk Assessment for the project prior to the commencement of the evaluation.
- 7.2 All the latest Health and Safety guidelines will be followed on site. CAT has a standard safety policy (CAT 1999), which will be adhered to.
- 7.3 No personnel will work in deep or unsupported excavations. The sides of all excavations or trenches deeper than 1.2 metres will be stepped or battered. Due to the difficulty of working in shored trenches, shoring will be avoided wherever possible. Safety helmets will worn by personnel in deep trenches or other potentially unsafe positions. All deep trenches shall be fenced off and will be clearly indicated by “deep excavation” signs.
- 7.4 The archaeologist(s) will not enter an area under machine excavation without alerting the machine driver to his/her intention.
- 7.5 The archaeologist(s) shall remain alert and take due care not to impede the progress of moving machinery. He/she shall stand well back from the turning circle of an excavator’ buckets and cabs.
- 7.6 Spoil will be stored at a safe distance away from trench edges.
- 7.7 Suitable accommodation will be provided for staff to shelter from inclement weather and during breaks. Hand washing facilities will be provided.
- 7.8 CAT will provide any necessary protective footwear, high-visibility jackets, and safety helmets. All staff and visitors to the site will be expected to wear full PPE at all times.
- 7.9 The RPS site manager will be provided with a signed list of all personnel working on site each day by the CAT Supervisor and will ensure that all staff have signed out at the completion of each day.
- 7.10 All trench locations will be scanned by an ordnance clearance specialist ahead of and during machining in accordance with the RPS Health and Safety Plan (RPS 2004; updated October 2006).

8 FINDS

- 8.1 Unstratified finds will only be collected where they contribute significantly to the research aims or are of intrinsic interest. All finds will be exposed, lifted, cleaned, conserved, marked, bagged and boxed according to the United Kingdom Institute for Conservation's Conservation Guidelines No.2, the Council for British Archaeology's First Aid For Finds (Third Edition, 1998) and the Institute of Field Archaeologist's Guidelines for Finds Work (1992). Iron finds may require X-rays prior to conservation and similarly residues on pottery may require study ahead of any conservation which may be appropriate.
- 8.2 All finds and bones will be recorded, collected and labelled according to their individual stratigraphical context. Finds from each archaeological context will be allocated an individual finds tray and waterproof labels will be used for each tray to identify unique individual contexts. Each label will be marked with the appropriate context number in waterproof ink and will be securely attached to each tray.
- 8.3 A policy of marking for pottery and other finds will be agreed with Colchester Museum. Marking will include the site code and context number.
- 8.4 All lifting, conservation or other on-site treatment of delicate finds will be done by Anne-Maria Bojko of Colchester Museums. It is anticipated that robust items such as intact cremations will be lifted by site staff.
- 8.5 The site archive will be presented to Colchester Museums in accordance with the requirements for conservation and storage as outlined in Guidelines on the Preparation and Transfer of Archaeological Archives to Colchester Museums (Colchester Borough Council 1996).
- 8.6 All finds of potential treasure will be removed to a safe place, and the coroner informed immediately, in accordance with the rules of the Treasure Act 1996. The definition of treasure is given in pages 3-5 of the Code of Practice of the above act. This refers primarily to gold or silver objects. Any other finds remain for the landowner to assess and dispose of.
- 8.7 Finds work will be to accepted professional standards and adhere to the Institute of Archaeologists' published booklet Guidelines for Finds Work.
- 8.8 Agreement with the landowner (TW) will be sought for deposition of the finds and paper archive. Arrangements for the finds to be viewed by the landowner will be made if he/she wishes.
- 8.9 The following specialists have been approached for artefact and environmental analysis:
- Julie Curle - human and animal bone;
 - Paul Sealey – prehistoric pottery

- Stephen Benfield late Iron Age and Roman pottery;
- Joanna Bird - Samian
- Ernest Black – Roman Brick/tile
- Dr Hilary Cool – Roman glass
- Dr John A Davies – Roman coins
- Nina Crummy – Small finds
- Sue Tyler- Saxon Pottery
- Helen Walker – Medieval and Post-Medieval pottery
- Hazel Martingell - Lithics
- Lynn Keys – Metalworking residues;
- Pat Wiltshire- pollen analysis
- Val Fryer- Archaeo-botanist Environmental analysis
- Jackie Makinley- Cremations.

9 REPORTING

- 9.1 **Post Fieldwork Assessment:** CAT will produce a single report for these excavations which will be to analysis level (complete with finds illustrations etc). This report will combine the results of the recent investigations of land parcels L/N (Goojerat Barracks) and S2North (Roman Barracks), A1 (Hyderabad and Meeanee Barracks) and the Napier Road Car parks. For completeness the previously completed report on the excavation of S2 South will be appended. Normal assessment processes will be undertaken within the process and the recommendations of this will be provided to the CBCAO for agreement ahead of full analysis, but this will be in the form of list appended to a letter/email rather than as a separate assessment report. The findings of the report will be incorporated into a monograph publication on the Roman town's hinterland by CAT.
- 9.2 MAP 2 (Management of Archaeological Projects:2 (English Heritage 1991) stipulates that towards following a fieldwork programme, an assessment will be undertaken to determine a suitable post fieldwork project design. The volume and diversity of the recovered materials, the potential importance of the finds and the resultant publication and archiving requirements will be taken into consideration.
- 9.3 The post fieldwork project assessment will ensure that the following requirements are fulfilled:
- (a) provision of adequate finance;
 - (b) adequate level of human and technical resources;
 - (c) nomination of relevant specialists;
 - (d) pre-determined levels of analysis; and
 - (e) clearly defined project management structure.
- 9.4 Fully integrated and structured site matrices will be produced such that the site may be accurately and comprehensively phased. The completed matrix will be incorporated into the final excavation and any other subsequent report.
- 9.5 The assessment stage should include an updated project design in accordance with the recommendations of MAP 2 Stage 3. The updated project design will set out post fieldwork proposals for the approval of the client and to meet the requirements of MAP 2. No further post fieldwork analysis will begin until this process has been fully undertaken.
- 9.6 The assessment will include quantification's of archaeological contextual/ structural categories, finds/ industrial categories and environmental categories. Special regard will be given to the state of preservation, density of material and their significance. The individual elements of the project will be assessed with regard to their potential to contribute to the original project aims and for their

potential to address any further research areas which may have come to light during the excavation or assessment phase.

- 9.7 Assessment may include technological residues analysis and the completion of any bulk processing or sub-sampling of the bulk samples which had not been undertaken in the field (it is the intention to complete the majority of the bulk sampling during the fieldwork). A cost effective strategy for scientific dating will be considered at the assessment stage.
- 9.8 Analysis, Publication and Dissemination: Following agreement with RPS, and Taylor Wimpey on the recommendations of the assessment the final analysis stage for the combined elements of Phases 3-5 will be undertaken. The consultations will include agreement regarding scientific dating methods and the targeted phases or elements.
- 9.9 Two objectives will be met:
- (i) the production of a research archive and final report; and
 - (ii) the production of a report for publication.
- 9.10 Adequate resources will be allocated to facilitate these functions. As MAP 2 points out, the resources will include provision for frequent reviews of the extent to which the objectives are being met, bearing in mind that the process of synthesis can often lead to a revision of the original stated aims.
- 9.11 Final Report: Appendix 7 of MAP 2 sets out the guidelines for the preparation of published reports. The report will describe and explain the results of the excavation and will realize the objectives outlined in the post excavation assessment and updated project design to meet the full potential of the site to contribute to archaeological knowledge. A full analysis of the sites phases will be included. The report will conform to MAP Appendix 7 and will form the basis of the publication within an approved archaeological journal. The contents of this report will include the following:
- A list of contents and figures used in the report;
 - An explanation of the development and the reasons for the excavation;
 - A non-technical summary that explains the main issues in layman's terms;
- 9.12 A general introduction to the project, including details of the site location, the planning applicant, the archaeological contractor, project staff and the author(s) of the report;
- The aims and objectives of the project;
 - The methodology used in the project;

- A description of the historical and archaeological background and context of the proposal site;
 - A description of the geology and topography of the proposal site and the results of any previous archaeological fieldwork in the vicinity;
 - The methods used to excavate the site;
 - Specialists reports on the finds and environmental projects including significant dating evidence (including scientific dating), discussion and illustrations (including finds illustrations);
 - A detailed description of the results, with a detailed discussion and interpretation on the reliability of the findings;
 - Details of the project timetable with details of the project manager and staff structure;
 - Details of the location of the project archive and finds at the time of the compilation of the report, and the proposed date of their eventual deposition;
 - Sufficient illustrations to support the text including figures to show the location of the site in a national, regional and local context, detailed plans of the entire site and specific site areas, structures or areas of interest, selected sections drawings to illustrate the main findings and sufficient interpretative drawings to illustrate the main findings. Phase drawings will be produced as appropriate. The national grid will be shown on the plans;
 - Discussion and conclusions such that the site may be placed within its regional context;
 - The project brief and project design and WSI will be included in the excavation report as appendices; and
 - Tabulated lists of contexts and finds, matrices and acknowledgements, a bibliography and a glossary of terms for the non-specialist.
- 9.13 Copies of the final report will be issued to the RPS, Taylor Wimpey, CBC (two copies – one for the UAD), the Essex County Council Heritage Conservation Record and English Heritage. A copy of the report will also be deposited with the finds and archive at Colchester and Ipswich Museum.
- 9.14 A full report on the project will be published in within a monograph format. It is intended that the Phase 1 and 2 results of the overall Alienated Land project will be combined with those of Phases 3 –5 and with the results of the New Garrison investigations, within the publication. A short summary of the work will be submitted to Essex Archaeology & History for inclusion in the annual round-up. Appendix 7 of MAP 2 sets out the guidelines for the preparation of published reports.
- 9.15 A publication grant will be provided to the publishers in accordance with their requirements.

10 ARCHIVE & FINDS DEPOSITION

- 10.1 All retained artefacts will be cleaned, conserved and packaged in accordance with the requirements and guidelines of the United Kingdom Institute for Conservation's' Conservation Guidelines No. 2, the Council for British Archaeology's First Aid for Finds (Second Edition, 1987) and the Institute of Field Archaeologist's Guidelines for Finds Work (1992). Small finds will be boxed separately from the bulk finds. Plans will be presented on hanging strips to fit Colchester Museum storage systems. A full archive will be prepared to standards outlined in Management of Archaeological Projects: 2 (English Heritage 1991).
- 10.2 The full archive will be deposited at Colchester Museums, subject to Taylor Wimpey consent and subject to the guidelines and requirements of MAP 2, as soon as is practicable, and within six months of completion of publication text on the project. All requirements for archive storage as given in Colchester Borough Council's Guidelines for the standards and practice of archaeological fieldwork in the Borough of Colchester, will be followed.
- 10.3 Finds (and other retained materials) will be bagged and boxed in the manner recommended by Colchester Museums.
- 10.4 Photographic archive is to be presented as follows: original digital data on CD Roms, hard copies of digital photos on high quality paper, or as otherwise requested by Colchester Museums.
- 10.5 CD Roms of material held on computers will be presented to Colchester Museums, along with bound copies of printouts.
- 10.6 Deposition of the archive will be confirmed in writing to CBCAO, and a summary of the contents of the archive shall be supplied to CBCAO.
- 10.7 All artefacts recovered from the archaeological excavation shall be deposited at the Colchester Museums. All recovered artefacts shall be fully catalogued, shall constitute one single deposit and shall be deposited within two years of the completion of the archaeological excavation.
- 10.8 Prior to the deposition of the artefacts with Colchester Museums the following procedures will have been completed:
- Notification of the fieldwork and approximate quantity of finds will be given to the museum ahead of the fieldwork phase. A 'notification form' will be supplied with the relevant details of the project at this stage;
 - Where possible the site code/accession number and context number shall be marked on all finds;

- All finds packaging, including boxes and bags will be clearly marked with the assigned accession number;
 - Transfer of ownership from Taylor Wimpey to the museum will be agreed in principle prior to the fieldwork and a written transfer of ownership form will be forwarded to the museum ahead of deposition. Any other finds remain for Taylor Woodrow to assess and dispose of;
 - The archive will be deposited complete and will include a full index of contents;
 - There may be a case for non retention of certain artefacts of low academic value. The selection of these will accord with SMA (1993, revised 1997);
 - Further guidelines and requirements of the Museums for the acceptance of finds and archive as outlined in the Museum's procedures for the deposit of archaeological archives will be adhered to.
- 10.9 A project's archive comprises every record relating to that project, from written records and illustrative material to the retained artefacts.
- 10.10 The archive (including artefacts) will be retained intact, will be prepared to the standards and requirements of Colchester Museums. The archive shall be deposited at the Colchester Museums within two years of the completion of the archaeological excavation. The accession number assigned for the artefacts will be used for the whole project archive.
- 10.11 The CAT project manager will ensure that every element of the archive is kept clean and secure, and that it is stored in a suitable environment.
- 10.12 The archive comprising written, drawn, photographic and electronic media, will be fully catalogued, indexed, cross referenced and checked for archival consistency.
- 10.13 A copy of the archive (on microfiche) should be deposited with the NMR and SMR.
- 10.14 RPS will be responsible for monitoring progress and standards throughout the project, and will be kept regularly informed during fieldwork, post-excavation and publication stages.

11 STAFFING & TIMETABLE

- 11.1 The overall archaeological project will be managed by Robert Masefield MIFA (RPS). The archaeological contractor CAT will be managed by Philip Crummy. The evaluation will be directed in the field by Ben Holloway. The experience of the project team is included in the Appendix of this method statement.
- 11.2 A total of approximately 3 weeks are currently envisaged for the Area H Area 1 and 5 weeks for Area 2 excavation works although the timing of these works is to be determined.

12 MONITORING

- 12.1 A programme of monitoring of the project in the field shall be agreed in advance between CAT, RPS, Taylor Wimpey, English Heritage and CBC. Provision (through regular consultation) will be made for the CBC Archaeological Officers and English Heritage to monitor the excavation as required, including the post fieldwork analysis and report preparation stages of the project.
- 12.2 A minimum period of two weeks notice shall be given to CBC prior to the commencement of the works. The timing and frequency of each monitoring visit will be agreed in advance with CBC.
- 12.3 Any variation or modification to the project programme in terms of working or recording either on site or off will be fully discussed and agreed with RPS, Taylor Wimpey and CBC in advance.
- 12.4 Any variations of the WSI shall be agreed between RPS, CBCAO and CAT prior to their being carried out.
- 12.5 The involvement of CBCAO shall be acknowledged in any report or publication generated by this project.

13 REFERENCES

1. Association of County Archaeological Officers 1993 Model clauses on Archaeological Briefs and Specifications
2. Atkins October 2000 MoD Colchester Garrison PFI: Composite Environmental Statement
3. Bamford, H.M. 1982. Beaker Domestic Sites in the Fen Edge and East Anglia (East Anglian Archaeology Report No. 16). Gressenhall.
4. Barrett, J.C. 1980. 'The pottery of the later Bronze Age in lowland England'. In Proceedings of the Prehistoric Society 46, 297-319.
5. Bateman, N. 2000. The Gladiators at the Guildhall. The Story of London's Roman amphitheatre and medieval Guildhall. MOLAS
6. Bedwin, O. R. 1991. Asheldham Camp an early Iron Age hill fort: the 1985 excavations. Essex Archaeology and History, 22, 13-37.
7. Bedwin, O. (eds) 1991. The Archaeology of Essex- Proceedings of the Writtel Conference. Essex County Council Planning.
8. Benfield, S., Black, E., Crummy, N., Fryer, V., and Wade, A. 2000. Archaeological excavations at the Garrison sports pitch, Circular Road North, Colchester, Essex (Abbey Field). CAT Report 138.
9. Black, A 2002. Geophysical Survey Report: The Benedictine Abbey of St John, unpublished report, Figure 4.
10. Brickley, M and McKinley, J. (eds). 2004. Guidelines to the Standards for Recording of Human Remains. Reading: British Association for Biological Anthropology and Osteoarchaeology/Institute of Field Archaeologists.
11. Brooks, H. 1987. The Stansted project; a report on the first years' work.
12. Brooks, H. 1989b. The Stansted project; a report on the second and third years' work.
13. Brooks, H. 1989a. The Stansted Temple. Current Archaeology 10, 322-5.
14. Brooks, H. and Bedwin, O. R. 1989. Archaeology at the Airport: the Stansted Archaeological Project 1985-89. Chelmsford.
15. Brooks, H. and Wall, W. 1994. 'The Stansted Project: Bashing the boulder clay in north west Essex'. In M. Parker-Pearson & R. T. Schadla-Hall (eds) Looking at the Land. Archaeological Landscapes in eastern England: Recent work and future directions, 20-3. Leicester.

16. Brown, N.R. 1988a. A late Bronze Age enclosure at Lofts Farm Essex. Proceedings of the Prehistoric Society, 54, 249-302.
17. Brown, N.R. 1992. 'The prehistoric pottery'. In P. Crummy Excavations at Culver Street, Gilberd School and Other Sites in Colchester (Colchester Archaeological Report No. 6), 317-20.
18. Brown, N.R. 1996. In Bedwin, O. (eds) The Archaeology of Essex- Proceedings of the Writtel Conference. Essex County Council Planning.
19. Brown, N.R. and Murphy, P.L. 1997. In Glazebrook J. (eds) Research archaeology: a framework for the Eastern Counties 1. Resource assessment. East Anglian Archaeology, Occasional Paper, 3.
20. Brown, N.R. and Glazebrook (eds), 2000. Research and archaeology: a framework for the Eastern Counties 2. Research agenda and strategy. East Anglian Archaeology, Occasional Paper, 8.
21. Brown, N.R. and Murphy, P.L. 2000. 'Neolithic and Bronze Age', in N.R Brown and J. Glazebrook (eds) Research and Archaeology: A Framework for the Eastern Counties, 2. Research Agenda and Strategy (East Anglian Archaeology Occasional Paper No.8), 9-13. Norwich.
22. Brown, N.R. 2001. 'Prehistoric pottery'. In D.G. Buckley, J.D. Hedges and N.R Brown 'Excavations at a Neolithic cures, Springfield, Essex, 1979-85' Proceedings of the Prehistoric Society 67, 123-34.
23. Brown, N.R. 2002a. 'Pottery'. In M. Atkinson and S.J. Preston 'Prehistoric settlement and burials at Elms Farm, Heybridge' Essex Archaeology and History 32 (for 2001), 57-66.
24. Brown, N.R. 2002b. 'Prehistoric pottery'. In H. Brooks 'A Beaker burial, late Iron Age and Roman features: observation and excavation at Elm Park, Ardleigh, 1994-1996' Essex Archaeology and History 32, 83-4.
25. Brown, N.R. 2002c. 'Prehistoric pottery'. In H. Brooks 'A Bronze Age and Saxon occupation site at Frog Hall Farm, Fingeringhoe' Essex Archaeology and History 33, 58-60.
26. Bryant 1997. In Glazebrook J. (eds) Research archaeology: a framework for the Eastern Counties 1. Resource assessment. East Anglian Archaeology, Occasional Paper, 3.
27. Bryant, S. R. and Niblett, R. 1997. The Late Iron Age in Hertfordshire and the North Chilterns. In Gwilt, A. and Haselgrove, C. (eds) Reconstructing Iron Age Societies: New Approaches to the British Iron Age. Oxbow Monograph, 71, 270-281.

28. Buikstra, J. E. and Ubelaker, D. H. 1994. Standards for Data Collection from Human Skeletal Remains. Arkansas Archaeological Survey Research. Series 44.
29. CAR 9 Excavations of Roman and later cemeteries, churches and monastic sites in Colchester, 1971-88, by Colchester Archaeological Report, 9 (1993)
30. Charlton, B & Mitcheson, M. 1981 (?) The Roman Cemetery at petty Knowes, Rochester, Northumberland. Archaeologia Aeliana Fifth Series, Volume XII. The Society of Antiquaries of Newcastle Upon Tyne MCMLXXXIV.
31. Clarke, D.L. 1970. Beaker Pottery of Great Britain and Ireland. Cambridge.
32. Cleal, R.M. J. 1993. 'Pottery and fired clay'. In R. Bradley, P.Chowne, R.M.J Cleal, F. Healey and I.A. Kinnes Excavations on Redgate Hill, Hunstanton, Norfolk, and at Tattershall Thorpe, Lincolnshire (East Anglian Archaeology Report No.57), 46-60. Gressenhall.
33. Colchester Archaeological Trust, 1998. The Siege of Colchester 1648. Colchester.
34. Colchester Archaeological Trust, 1999 (revised Feb 2000) Policies and Procedures.
35. CAT (revision of Aug1999) Site Safety Policy
36. Colchester Archaeological Trust, 2000. An archaeological desk-based assessment of the Colchester Garrison PFI site (CAT Report 97).
37. Colchester Archaeological Trust 2001 Archaeological excavations at the Garrison sports pitch, Circular Road North, Colchester, Essex (Abbey Field), by Carl Crossan, Colchester Archaeological Trust Archive Report, 138 (2001)
38. Colchester Archaeological Trust, 2002. Colchester Garrison redevelopment: method statement and risk assessments for archaeological fieldwalking survey, geophysical survey and evaluation trenching.
39. Colchester Archaeological Trust, May 2002. An Archaeological Evaluation by Fieldwalking and Geophysical Survey at Colchester Garrison PFI site, Colchester, Essex (CAT Report 184).
40. Colchester Archaeological Trust, July 2002. An Archaeological evaluation by trial trenching on Area C at Colchester Garrison PFI Site, Colchester, Essex (CAT Report 197).
41. Colchester Archaeological Trust, July 2002. An Archaeological evaluation by trial trenching on Areas E and F at Colchester Garrison PFI Site, Colchester, Essex (CAT Report 203).

42. Colchester Archaeological Trust, August 2002. An Archaeological evaluation by trial trenching on Area KR at Colchester Garrison PFI Site, Colchester, Essex (CAT Report 205).
43. Colchester Archaeological Trust, August 2002. An archaeological evaluation by trial-trenching in Areas A, B, D, GJ, H, J, N, V and YP of the Colchester Garrison PFI site June-July 2002 (CAT Report 206).
44. Colchester Archaeological Trust, September 2002. An archaeological evaluation by trial-trenching on Areas DR, G, M, P, Q, R, RO, S, and T at Colchester Garrison PFI site Colchester, Essex: May-September 2002 (CAT Report 207).
45. Colchester Archaeological Trust, October 2003. An archaeological watching brief on munitions clearance at Colchester Garrison, Essex: July-October 2002 (CAT Report 246).
46. Colchester Archaeological Trust, June 2005. A survey of a group of air-raid shelters at Area C2 of the Garrison Urban Village, Napier Road, Colchester, Essex: April-May 2004 (CAT Report 319).
47. Colchester Archaeological Trust, July 2005. The Colchester Garrison PFI Project, Colchester, Essex: a report on the 2003 excavation of Areas 2, 6 and 10: August-November 2003 (CAT Report 292). Produced in association with RPS.
48. Colchester Archaeological Trust in association with RPS, 2006 Assessment Report on the Archaeological Investigations carried out on Areas C1, C2, E, J1, O, Q and S1 of the Alienated Land, Colchester Garrison, including the Time Team Trenches and the Alienated Land Watching Brief. Report prepared by Laura Pooley, Ben Holloway, Philip Crummy and Rob Masefield
49. Colchester Archaeological Trust, 2007. Stage 1b archaeological evaluation, Alienated Land Area H, Colchester Garrison, Colchester, Essex: January 2007 (CAT Report 413).
50. Colchester Archaeological Trust, 2007. Circus update. in The Colchester Archaeologist Issue no 20.
51. Colchester Archaeological Trust, 2011. Archaeological investigations on the 'Alienated Land', Colchester garrison, Colchester, Essex. May 2004-October 2007. CAT Report 412 prepared by L. Pooley, P. Crummy, D. Shimmin, H. Brooks, b. Holloway and R. Masefield
52. Colchester Borough Council, 1996 (revised 2002). Guidelines on the standards and practice for archaeological fieldwork in the Borough of Colchester.
53. Colchester Borough Council and English Heritage, 2002 (revised 2004). Colchester Garrison Alienated Land archaeological project strategy proposal.

54. Colchester Museums (Colchester Borough Council) 1996, revised 1999 Guidelines on Standards and Practices for Archaeological Fieldwork in the Borough of Colchester
55. Colchester Museums (Colchester Borough Council) 1996 Guidelines on the Preparation and Transfer of Archaeological Archives to Colchester Museums
56. Cool, H. E. M. and Price, J. 1995. Roman vessel glass from excavations in Colchester, 1971-85 (Colchester Archaeological Report 8). Colchester.
57. Cotter, J. P. 1999. Post-Roman Pottery from Excavations in Colchester, 1971-85 (Colchester Archaeological Report No. 10). Colchester.
58. Court, R. and Mephram, L. N. 2004. 'Pottery'. In A. Manning and C. Moore 'A late Bronze Age site at Springfield Park, Chelmsford' Essex Archaeology and History 34, 29-31.
59. Crossan, C and Masefield, R 2004 'Camulodunum East'. In The Colchester Archaeologist, 17.
60. Crummy, N., Crummy, P., and Crossan, C. 1993. Excavations of Roman and Later Cemeteries, Churches and Monastic Sites in Colchester, 1971-88 (Colchester Archaeological Report 9). Colchester.
61. Crummy, P. 1981. Aspects of Anglo-Saxon and Norman Colchester (Colchester Archaeological Report 1). Colchester.
62. Crummy, P. 1995. 'Catalogue of excavations and observations (1932-1993) relating to the pre-Roman period'. In C.F.C Hawkes and P. Crummy Camulodunum 2 (Colchester Archaeological Report No.11), 106-60. Colchester.
63. Crummy, P. 1997. City of Victory: the story of Colchester – Britain's first Roman town. Colchester Archaeological Trust.
64. Cunliffe, B. 1995. Iron Age Britain. English Heritage.
65. Cunliffe, B. (eds) 1981. Coinage and society in Britain and Gaul: some current problems. CBA.
66. Davis, S. 1992. A rapid method for recording information about mammal bones from archaeological sites. English Heritage AML report 71/92.
67. DoE, 1990. Planning Policy Guidance: Archaeology and Planning (PPG 16).
68. Drury, P. J. 1978. Excavations at Little Waltham, 1970-71. Council for British Archaeology, Research Report, 26.

69. English Heritage, 1991. Management of Archaeological Projects.
70. English Heritage, 1991. Exploring Our Past.
71. English Heritage, 1988a. Regular Aggregate Field Systems, unpublished Monument Class Description Report.
72. English Heritage, 1989a. Farmsteads (Romano-British), unpublished Monument Class Description Report.
73. English Heritage, 1988b. Coaxial Field Systems, unpublished Monument Class Description report.
74. English Heritage, 1989. Monasteries for men (Post-Conquest), unpublished Monument Class Description Report.
75. English Heritage, 1989b. Territorial Oppida, unpublished Monument Class Description Report.
76. English Heritage, 2002. Environmental archaeology – a guide to the theory and practice of methods, from sampling and recovery to post-excavation. Centre for Archaeological Guidelines.
77. Evans, J. 1972. Land Snails in Archaeology. London
78. Fryer, V. Forthcoming. 'Charred plant macrofossils and other remains from a group of Roman Cremations at Handford House, Colchester', in K. Orr An Archaeological Excavation at Handford House, Colchester (Colchester Archaeological Trust Report, Forthcoming)
79. Glazebrook, J. (eds) 1997. Research archaeology: a framework for the Eastern Counties 1. Resource assessment. East Anglian Archaeology, Occasional Papers, 3.
80. Green, B., Rogerson, R. and White, S. G. 1987. The Anglo-Saxon Cemetery at Morning Thorpe, Norfolk. Volume 1: Catalogue. EAA Report No. 36. Norfolk Archaeological Unit.
81. Gurney, D. (eds) 2003. Standards for field archaeology in the East of England. East Anglian Archaeology, Occasional Papers, 14.
82. Halstead, P. et al 1982. 'Within site patterning: Iron Age'. In Hodder, I. A. Wendens Ambo. The Excavations of an Iron Age and Romano-British Settlement (The Archaeology of the M11. Vol.2) London.
83. Halstead, P. 1978. Behavioural archaeology and refuse patterns: a case study. Norwegian Archaeol. Rev., 11, 118-31.

84. Halstead, P. 1982. 'The Economy'. In Hodder, I. A. W. *The Excavations of an Iron Age and Romano-British Settlement (The Archaeology of the M11. Vol.2)* London.
85. Hawkes, C. F. C and Hull, M. R. 1947. *Camulodunum (Reports of the Research Committee of the Society of Antiquaries of London No.14)*. London.
86. Hawkes, C. F. C. and Crummy, P. 1995. *Camulodunum 2 (Colchester Archaeological Report No.11)* Colchester.
87. Haselgrove, C., Armit, I., Champion, T., Creighton, J., Gwilt, A., Hill, J. D., Hunter, F., and
88. Woodward, A. 2001. *Understanding the British Iron Age: An Agenda for Action*. Prehistoric Society.
89. Healy, F. 1988. *Fenland Research Priorities: Neolithic and Bronze Age- A Shopping List*. Fenland Research 7. 3-5
90. Hedges, J. D. and Buckley, D. G. 1981. *Springfield Cursus and the Cursus Problem*. Essex County Council Occasional Paper No. 1.
91. Hull, M. R. 1958. *Roman Colchester*. Reports of the Research Committee of the Society of Antiquaries of London, no.XX.
92. Humphrey, J. 1987. *Roman Circuses: arenas for chariot racing*.
93. Institute of Field Archaeologists 1992 Guidelines for Finds Work
94. IFA, 1994 (revised 1999). *Standard and guidance for archaeological field evaluation*.
95. IFA, 1994 (revised 1999). *Standard and guidance for archaeological watching brief*.
96. IFA, 1995 (revised 1999). *Standard and guidance for archaeological excavations*.
97. IFA, ?. *Code of conduct of the Institute of Field Archaeologists*.
98. Jones, R. 2005. 'Signatures in the soil: the use of pottery in manure scatters in the identification of medieval arable farming regimes' *Archaeological Journal* 161, 159-88.
99. Manning, A and Moore, C. 2004. 'A late Bronze Age site at Springfield Park, Chelmsford' *Essex Archaeology and History* 34, 19-35.
100. Mays, S., Brickley, M. and Dodwell, N. 2002. *Human Bones from Archaeological sites. Guidelines for Producing Assessment Documents and Analytical reports*. (Centre for Archaeology Guideline). Swindon: English Heritage.

101. Murphy, 1996. In Bedwin, O. R. (eds) The Archaeology of Essex - Proceedings of the Writtel Conference. Essex County Council Planning.
102. Murphy and Wiltshire, 1994. A guide to sampling deposits for environmental analysis.
103. Needham, S.P. 1995. 'A bowl from Maidcross, Suffolk: burials with pottery in the post Deverel-Rimbury period'. In I. A. Kinnes and G. L. Varndell (eds) 'Unbaked Urns of Rudely Shape': Essays on British and Irish Pottery for Ian Longworth (Oxbow Monograph No.55), 159-71. Oxford.
104. Needham, S. P. 1996. 'Post Deverel-Rimbury pottery'. In R. P. J. Jackson and T. W. Potter Excavations at Stonea, Cambridgeshire, 1980-85, 245-57. London.
105. Needham, S. P. 2005. 'Transforming Beaker Culture in north-west Europe; processes of fusion and fission' Proceedings of the Prehistoric Society 71, 171-217.
106. Robertson, I. G. 1975. The Archaeology of the M11 Motorway in Essex, 1970-75. Essex Journal 10, 68-91.
107. RPS, 2002. Colchester Garrison PFI archaeological project health and safety plan.
108. RPS 2002 Colchester Garrison PFI archaeological project strategy proposal
109. RPS April 2004 Colchester Alienated Land Health and Safety Plan
110. RPS and CAT, 2004. Research design for archaeological evaluations, excavations and watching briefs on Alienated Land, New Garrison, Colchester.
111. RPS and CAT March 2004 Written Scheme of Investigation (WSI) for the Archaeological Evaluation and Excavation of the Alienated Land, Colchester Garrison – Area E – West of Mersea Road
112. RPS and CAT March 2004 Written Scheme of Investigation (WSI) for the Archaeological Evaluation of the Alienated Land, Colchester Garrison – Area O – South of Abbey Field and South Circular Road
113. RPS and CAT March 2004 Written Scheme of Investigation (WSI) for the Archaeological Evaluation and Excavation of the Alienated Land, Colchester Garrison – Area Q – East of Berechurch Road
114. RPS and CAT May 2004 Written Scheme of Investigation (WSI) for the Archaeological Evaluation of the Alienated Land, Colchester Garrison – Areas C1 and C2 – Within the NW and SE angle of the cross roads of Napier Road with Flagstaff/Circular Road East Roads

115. RPS Planning, Transport & Environment May 2004 Summary Method Statement for Additional Stage 1b Trial Trenching within Area S1
116. RPS and CAT July 2004 Written Scheme of Investigation (WSI) for the Archaeological Evaluation and Excavation of the Alienated Land, Colchester Garrison – Area J1 – Southern Half of Le Cateau Barracks
117. RPS and CAT Jan 2005 Written Scheme of Investigation (WSI) for Additional Trial Trenching of the Colchester Circus at Abbey Field - Trenches for Area H (Sergeants Mess) Abbey Field and Area B1b (Flagstaff House)
118. RPS/CAT June 2004 Written Scheme of Investigation (WSI) for the Archaeological Excavation of the Alienated Land, Colchester Garrison – Areas C1 and C2 – Within the NW and SE angle of the cross roads of Napier Road with Flagstaff/Circular Road East Roads
119. RPS/CAT September 2004 Written Scheme of Investigation (WSI) for the Archaeological Excavation of the Alienated Land, Colchester Garrison – Area J1 – Southern Half of Le Cateau Barrack).
120. RPS, 2008 Impact Assessment for Colchester Roman Circus – Addendum to Chapter 15 (Cultural Heritage) of the MoD Colchester Garrison PFI: Composite Environmental Statement (Atkins, 2002)
121. Sealey, P. R. 1996. In Bedwin, O. (eds) *The Archaeology of Essex - Proceedings of the Writtel Conference*. Essex County Council Planning.
122. Shimmin, D., 1998. A Late Iron Age and Roman occupation site at Kirkee McMunn barracks, Colchester Essex. *Essex Archaeology and History*, vol 29, pp 260-269.
123. Shirley, E., 2001. *Building a Legionary Fortress*. Tempus, Stroud.
124. Society of Museum Archaeologists, 1993. *Guidelines for Samples*.
125. Stace, C. 1997. *New Flora of the British Isles*. Second edition. Cambridge University Press.
126. Symonds, R. and Wade, S. 1999. *Roman Pottery from Excavations in Colchester 1971-86* (Colchester Archaeological Report No.10). Colchester.
127. Toynbee, J. M. C. 1964. *Art In Britain under the Romans*. Oxford.
128. Wilkinson, DE and Neal V. (CBA) 1987 (Third ed. 1998) *First Aid for Finds*
129. Wymer, J. and Brown, N. 1995. Excavations at North Shoebury: settlement and economy in south-east Essex 1500BC to AD1500. *East Anglian Archaeology* 75.

130. Yates, D. T. 1999. Bronze Age Field Systems in the Thames Valley. *Oxford Journal of Archaeology* 18. (2) 157-170.
131. Yates, D. 2001. 'Bronze Age agricultural intensification in the Thames Valley and Estuary', in J. Brück (ed), *Bronze Age Landscapes: Tradition and Transformation (Oxbow Monograph)*, 65-82.



APPENDIX 1

Team Structure



APPENDIX ONE

TEAM STRUCTURE

RPS PROJECT MANAGEMENT TEAM

Archaeological Project Manager

Rob Masefield

LIST OF CAT TEAM MEMBERS

Project Management

Philip Crummy

Howard Brooks

Site Manager

Ben Holloway

Site Staff

C. Lister, B Hurrell, K Orr, L Pooley, AN Others.

Finds

L Pooley

Metal Detecting

Brian Hurrell

Graphics

C. Lister, H. Brooks

Report Writing

B, Holloway, H Brooks



RPS Experience

Name: Robert B Masefield
Office: RPS, London
Position in Company: Senior Archaeological Consultant
Qualifications / Memberships: BSc. MA. MIFA
Date of Birth: 15th October 1969

Area of Expertise:

Robert has 19 years experience in Archaeology. Expertise includes project management of major archaeological projects, directing archaeological excavations, evaluations and watching briefs and production of numerous reports for clients to English Heritage/County Council standards and journal publications for the above. In addition he has produced a number of Environment Statement cultural heritage chapters. He is experienced in negotiations on behalf of clients with local authority Archaeologists and English Heritage and is an Associate member of the Institute of Field Archaeologists.

Key Clients:

Southern Water Technology Group	I O Group
Daventry International Freight Terminal plc	JJ Gallagher
Andrew Martin Associates	Oxford United Football
Notting Hill Housing Trust	GU Projects
National Power Plc	Deacon & Jones
Campbell Reith Hill	Balfour Beatty
RMPA Services	Wimpy/Bryant Homes
Taylor Woodrow	British Waterways

Experience Includes:

- Principal Contractor/ project management role during the 2002 evaluation and 2003 excavations for the Colchester Garrison PFI/ New Garrison, Colchester. Designed and implemented 12km of trial trenches both within the wire of the MoD garrisons and on open training areas/farmland. Designed and implemented 3 hectares of open area excavation ahead of the New Garrison. Responsible for interface with EOD Engineers during munitions clearance and clearance for the trial trenching and excavation areas. Excavated remains included an Iron Age enclosed roundhouse settlement, Late Iron Age and Roman tracked landscape, prehistoric ritual pits/cremations with ?associated structures, Roman burials and farm structure associated with a nearby villa.
 - Supervising on the major excavation of a Roman Town at Heybridge Essex with additional post excavation archiving.
 - Directing and reporting on major evaluations at Harlow Essex, (Neolithic, Bronze Age, Iron Age, Roman Saxon and medieval activity, including trenching within a Scheduled Monument), Ford Waste Water Treatment Works, West Sussex (Mesolithic, Bronze Age, Iron Age/Roman), Elstow Storage Depot/A6 widening, Bedfordshire (Iron Age/Roman), and Didcot West, Oxfordshire (Neolithic, Bronze Age, Iron Age and Roman).
 - Directing and reporting on excavations including a deeply stratified urban site at Great Yarmouth (medieval), an urban site in the city of London (Roman/medieval), Harefield Middlesex (Saxon evidence), West Drayton, Middlesex (Iron Age trackway), Ford WTW West Sussex (Bronze Age, Iron Age/Roman settlement), Swalecliffe Waste Water Treatment Works (major Bronze Age well complex published in 2003) and the A41 Aston Clinton Bypass Sites A-D (Bronze Age, Iron Age, Roman occupation and early Saxon settlement and cemetery).
 - Environmental statement studies including Southern Water Technology Group (Bognor–Littlehampton, and Bexhall, Hastings, Brighton & Hove), National Power/JJ Gallagher (Elstow Storage Depot) and Wimpy/Bryant Homes (Didcot West Expansion).
 - Project Management duties on numerous watching briefs evaluation and excavation projects, including production of written schemes of investigation and research designs.
-

DETAILS OF CAT TEAM MEMBERS

SENIOR SITE STAFF

Philip Crummy MA, FSA, MIFA

Philip is a very experienced field archaeologist, and the longest-serving director of excavations at any major archaeological organisation in Britain. Since joining CAT (or Colchester Excavation Committee as it was then, and Colchester Archaeological Unit soon after) as Site Director in the early 1970s, he has supervised or directed large urban projects including Lion Walk, Balkerne Lane, Butt Road, and Culver Street, as well as numerous small projects. Philip's publication record is outstanding, and includes sole or joint authorship of eight of the Colchester Archaeological Report series, principally volumes 1, 3, 6, 9, and 11. He also produces major parts of the CAT annual magazine *The Colchester Archaeologist*. He has also contributed to *Britannia*, *Post-medieval Archaeology*, and several of the BAR series. His most recent work *City of Victory* is one of the local bestsellers in bookshops in Colchester. He lectures widely.

Stephen Benfield BA, Cert Archaeol (Oxon) (CAT)

After working in farming Banking, Estate Agency, and in a Jobcentre, Stephen discovered archaeology. His first involvement with Colchester archaeology was in 1985, working on a Manpower Services Commission sponsored project, assisting in processing the enormous collection of Roman pottery from excavations in the town. After that he studied for his post-graduate Certificate in Archaeology at Oxford. Returning to CAT, he has since worked on many CAT projects at various supervisory and directorial positions, including the major projects at Stanway Iron Age burial site and Gosbecks Roman temple/theatre complex. Stephen has also, through much hands-on experience, built up a considerable working knowledge of LIA and Roman ceramics. He now completes ceramic assessments and full reports for CAT, drawing on the unrivalled catalogues provided by the standard Colchester works *Camulodunum* (Hawkes & Hull 1947), *Roman Colchester* (Hull 1958) and now CAR 10, and by examining the fabric series held at CAT headquarters.

Howard Brooks BA (Hons) MIFA (CAT)

Howard's involvement in Essex archaeology goes back to 1970 when he dug at Sheepen, Colchester with Ros Dunnett. He worked for Colchester Archaeological Trust between 1976 and 1981, and again in 1985, and was involved at various levels of responsibility (up to Co-Director) in the excavation of deeply stratified urban remains in Roman Colchester and suburbs (Colchester Archaeological Report 3 [1984]). Between 1985 and 1992 he worked for Essex County Archaeology Section, first in directing the fieldwalking and excavation project at Stansted Airport (forthcoming *East Anglian Archaeology*), and then in Development Control. Howard then left ECC to set up and run HBAS, the county's smallest contracting team, in which capacity he carried out over twenty field projects and wrote a dozen consultancy reports. He rejoined CAT in 1997, since when he has been involved with major excavations at the Old Post Office on Head Street, the Co-operative Stores on Long Wyre Street, and other major projects. He regularly contributes to *Essex Archaeology & History*, and teaches WEA and University evening classes on archaeology.

FINDS SPECIALISTS

Francesca Boghi - Human Bone (details to come)

Joanna Bird FSA (Guildford) Samian

Joanna is one of the country's top Samian specialists. Among her large corpus of work is a contribution to the blockbuster Colchester Archaeological Report 10: Roman pottery from excavations in Colchester 1971-86.

Ernest Black (Colchester) Roman brick/tile

Ernie is a Colchester schoolteacher with a wide interest in archaeology and the classical world. In this sense, he is following in the footsteps of A.F. Hall and Mike Corbishley who were also local schoolmasters. He has developed his specialism by large scale hands-on experience with Roman brick and tile, and has contributed to the Archaeological Journal Colchester Archaeological Report 6: Excavations at Culver Street, the Gilbert School, and other sites in Colchester 1971-85.

Dr Hilary Cool FSA MIFA (Nottingham) Roman glass

Yet another graduate of the University of Wales, Hilary is now a freelance glass and finds specialist, and has written many reports on glass from Colchester sites, including contributions to Colchester Archaeological Report 6: Excavations at Culver Street, the Gilbert School, and other sites in Colchester 1971-85, and Colchester Archaeological Report 9: Excavations on Roman and later cemeteries, churches and monastic sites in Colchester 1971-88 (1993). Among her major works is the internationally selling Colchester Archaeological Report 8: Roman vessel glass from excavations in Colchester 1971-85.

Nina Crummy (Colchester) Small finds

Nina first worked in the early 1970s as finds assistant on the major urban excavations in Colchester for the Colchester Excavation Committee (later the Trust). Over the next twenty years she built up an unrivalled working knowledge of small finds of all types. She has collaborated in most of the Colchester Archaeological Reports, and was principal author of the best-selling Colchester Archaeological Reports 2 (Roman small finds), 4 (The coins from excavations in Colchester 1971-9) and 5 (The post-Roman small finds from excavations in Colchester 1971-85). She recently worked for the Museum of London, and was instrumental in the recent transfer of and the massive improvement in accessibility to archaeological archives in London. She now works freelance on small finds reports for CAT, HBAS, and other bodies including Winchester Excavation Committee.

Julie Curle (to follow)

Dr John A Davies (Norwich Museum) Roman coins

John has, for some years, written reports on Roman coins from Colchester excavations. He specialises in barbarous radiates, and has contributed to British Numismatic Journal on that topic. Among his other publications is a contribution to Colchester Archaeological Report 4: The coins from excavations in Colchester 1971-9, and Colchester Archaeological Report 9: Excavations on Roman and later cemeteries, churches and monastic sites in Colchester 1971-88 (1993).

Nick Lavender (to follow)

Hazel Martingell (to follow)

Jen Heathcote (EH) Environmental (to follow)

Valerie Rigby (British Museum) LIA ceramics

Val is one of the country's leading authorities on later prehistoric ceramics in general, and traded wares in particular. She has published widely. Her major work include Baldock : the excavation of a Roman and pre-Roman settlement, 1968-72 (Britannia Monograph Series 7, with Ian Stead). On a more local level, she has contributed to the magisterial Colchester Archaeological Report 10: Roman pottery from excavations in Colchester 1971-88, and to Ros Niblett's Sheepen: an early Roman industrial site at Camulodunum (Council for British Archaeology Research Report 57, 1985).

Dr Paul Sealey (Colchester Museums) Amphoras/prehistoric pottery

Paul has worked at Colchester Museum since the late 1970s. His PhD specialism was Roman amphoras, a topic on which he writes specialist reports for Colchester sites. His main areas of interest are prehistory and the Roman period, and he has developed a familiarity with those periods and their ceramics. He has published widely. His major works include Amphoras from the 1970 excavations at Colchester Sheepen (British Archaeological Report 142, 1985), contributions to Ros Niblett's Sheepen: an early Roman industrial site at Camulodunum (Council for British Archaeology Research Report 57, 1985). He regularly contributes to Essex Archaeology & History.

Sue Tyler (ECC) Saxon Pottery

Sue is the County authority on Saxon material, especially pottery. She has had several spells working with Essex County Archaeology Section, interrupted by a late-1980s spell in Hertfordshire. She has written reports on Saxon material for many Essex Projects, and contributes regularly to Essex Archaeology & History, including the Anglo-Saxon cemetery at Prittlewell (Essex Archaeol Hist 19 (1988)).

Helen Walker BSc (ECC) Medieval and post-medieval pottery.

Helen is Essex County Council Field Archaeology Group's medieval and post-medieval pottery specialist. Before joining ECC in 1985, she worked on finds in Carmarthen, and for Hampshire CC on projects in Winchester. Since 1985, she has contributed reports on ceramics to many other projects in the county. A regular contributor to Essex Archaeology & History, her principal publications include reports on the Rayleigh kiln dump, and George Street and Church Street, Harwich (Essex Archaeology & History, 21 [1990]), and North Shoebury (East Anglian Archaeology 75).



FIGURE 1

Site Location

FIGURE 2

Proposed Areas of Excavation showing Evaluation Trenches and Archaeological Context

FIGURE 3

Archaeological Zones and Excavation Areas 1 and 2 Overlaid on
Development Plan

FIGURE 4

Scheduled Monuments Implications Plan (after KLH Architects)

OASIS DATA COLLECTION FORM: England

[List of Projects](#) | [Manage Projects](#) | [Search Projects](#) | [New project](#) | [Change your details](#) | [HER coverage](#) | [Change country](#) | [Log out](#)

[Printable version](#)

OASIS ID: colchest3-300605

Project details

Project name	Archaeological excavation on Area H (Garrison Alienated Land), off Butt Road, Colchester, Essex, CO3 2DL
Short description of the project	Archaeological excavation of 'Area H' of the Colchester Garrison Alienated Land was divided into two areas, Area H1 and Area H2. Excavations were confined to the northwestern half of Area H, located in an area of known Roman burials. To the southeast is Colchester's Roman Circus (a scheduled monument). Excavations revealed two distinct Roman cemetery areas. The first was centred on Area H1 on the northern edge of the site, and the second on Area H2 to the southwest. In total 224 Roman burials were excavated along with 66 pits containing pyre debris, five disturbed burial features and 26 possible burial features. Separated into distinct burial plots, a mausoleum and two possible ring-ditches (barrow burials) were also excavated. Cemetery Area H1 - A total of 85 burials were excavated, divided into 67 inhumation burials, 16 urned cremation burials and two unurned cremation burials. Other burial features included two burial pits containing pyre debris and nine possible burial features. A square ditched-enclosure and two possible ring-ditches (barrow burials) were also excavated. Cemetery Area H2 - A total of 139 burials were excavated, divided into 97 inhumation burials, 29 urned cremation burials, 10 unurned cremation burials and three pyres/bustums. Other burial features included 64 pits containing pyre debris, five disturbed cremations/pits containing pyre debris, and seventeen possible burial features.
Project dates	Start: 24-09-2012 End: 01-02-2013
Previous/future work	Yes / No
Any associated project reference codes	12/07g - Contracting Unit No.
Any associated project reference codes	COLEM: 2012.50 - Museum accession ID
Any associated project reference codes	ECC4101 - HER event no.
Type of project	Recording project
Site status	None
Current Land use	Vacant Land 1 - Vacant land previously developed
Monument type	PITS Bronze Age
Monument type	INHUMATIONS Roman
Monument type	CREMATIONS Roman
Monument type	PYRE SITES Roman
Monument type	BUSTA Roman
Monument type	PITS CONTAINING PYRE DEBRIS Roman
Monument type	BOUNDARY DITCHES Roman
Monument type	ENCLOSURE DITCHES Roman
Monument type	MAUSOLEUM Roman
Monument type	RING-DITCHES Roman
Monument type	PITS Roman
Monument type	POSTHOLES Roman
Monument type	PITS Post Medieval
Monument type	PITS Modern
Significant Finds	POTTERY Bronze Age
Significant Finds	FLINT Neolithic
Significant Finds	FLINT Bronze Age
Significant Finds	POTTERY Roman
Significant Finds	HUMAN REMAINS Roman
Significant Finds	BURIALS GOODS Roman
Significant Finds	COPPER ALLOY OBJECTS Roman
Significant Finds	IRON OBJECTS Roman
Significant Finds	JET OBJECTS Roman
Significant Finds	GLASS VESSELS Roman
Significant Finds	COFFIN NAILS Roman
Significant Finds	ANIMAL BONE Roman
Significant Finds	CERAMIC BUILDING MATERIAL Roman
Significant Finds	BUILDING STONE Roman
Investigation type	""Part Excavation""
Prompt	Planning condition

Project location

Country England

Site location ESSEX COLCHESTER COLCHESTER Area H (Colchester Garrison Alienated Land), off Butt Road
Postcode CO3 2DL
Study area 2.07 Hectares
Site coordinates TL 99300 24600 51.883756802703 0.896193105349 51 53 01 N 000 53 46 E Point
Height OD / Depth Min: 33.42m Max: 34.14m

Project creators

Name of Organisation Colchester Archaeological Trust
Project brief originator CBC Archaeological Officer
Project design originator R. Masefield, RPS Group
Project director/manager Philip Crummy
Project supervisor Ben Holloway
Type of sponsor/funding body Developer

Project archives

Physical Archive recipient Colchester Museum
Physical Archive ID COLEM: 2012.50
Physical Contents "Human Bones", "Metal", "Textiles", "Worked stone/lithics", "other", "Animal Bones", "Ceramics", "Glass"
Digital Archive recipient Colchester Museum
Digital Archive ID COLEM: 2012.50
Digital Contents "Human Bones", "Metal", "Stratigraphic", "Survey", "other"
Digital Media available "Images raster / digital photography", "Spreadsheets", "Survey"
Paper Archive recipient Colchester Museum
Paper Archive ID COLEM: 2012.50
Paper Contents "Stratigraphic", "Survey", "other"
Paper Media available "Context sheet", "Drawing", "Miscellaneous Material", "Photograph", "Plan", "Report", "Section"

Project bibliography 1

Publication type Grey literature (unpublished document/manuscript)
Title Roman burials: Archaeological excavation (Stage 2) on Colchester Garrison 'Alienated Land' Area H, off Butt Road, Colchester, Essex, CO3 2DL: September 2012-February 2013
Author(s)/Editor(s) Pooley, L.
Other bibliographic details CAT Report 1033
Date 2017
Issuer or publisher Colchester Archaeological Trust
Place of issue or publication Colchester
Description A4 ring-bound loose leaf
URL <http://cat.essex.ac.uk/all-reports.html>
Entered by Laura Pooley (lp@catuk.org)
Entered on 12 December 2017

OASIS:

Please e-mail [Historic England](#) for OASIS help and advice
© ADS 1996-2012 Created by [Jo Gilham](#) and [Jen Mitcham](#), email Last modified Wednesday 9 May 2012
Cite only: <http://www.oasis.ac.uk/form/print.cfm?id=303699> for this page